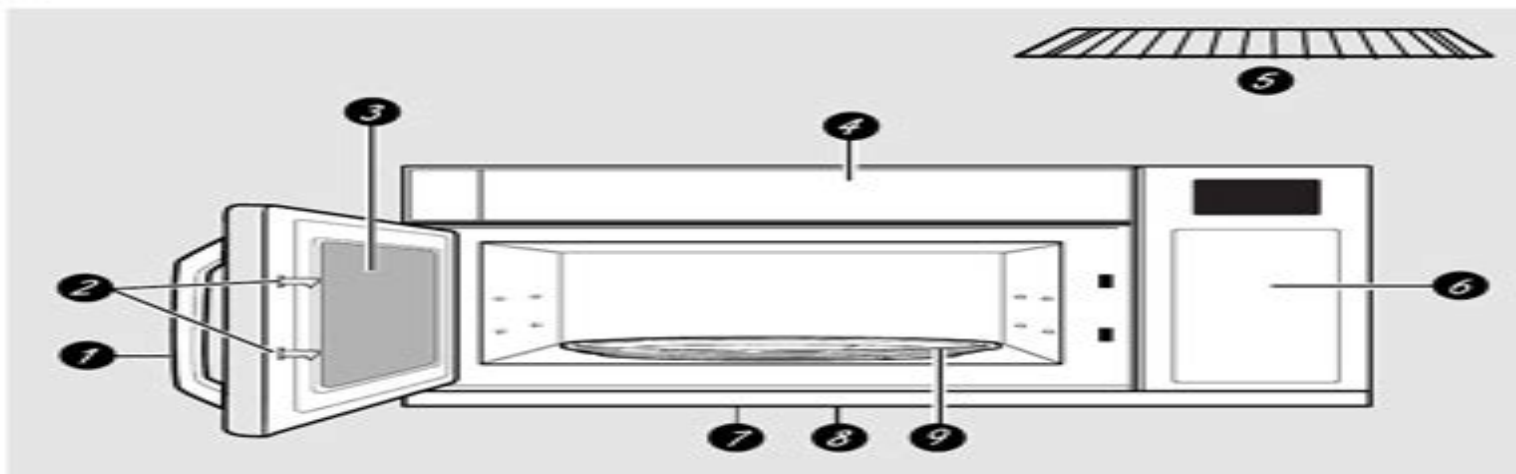


About the features of your microwave oven.

ge.com

Throughout this manual, features and appearance may vary from your model.



Features of the Oven

- 1 Door Handle.** Pull to open the door. The door must be securely latched for the microwave to operate.
- 2 Door Latches.**
- 3 Window with Metal Shield.** Screen allows cooking to be viewed while keeping microwaves confined in the oven.
- 4 Active Vent (on some models).** The vent door swings open when the fan operates and closes when the fan shuts off.
- 5 Shelf.** Lets you microwave several foods at once. Food microwaves best when placed directly on the turntable.
- 6 Touch Control Panel Display.**
- 7 Cooktop Light.**
- 8 Grease Filter.**
- 9 Removable Turntable.** Turntable and support **must** be in place when using the oven. The turntable may be removed for cleaning.

NOTE: Rating plate is located on the inside wall of the microwave, or on the upper left front behind the door. Oven vent(s) and oven light are located on the inside walls of the microwave oven.

General Electric Spacemaker Microwave Manual

Peipei Pang



General Electric Spacemaker Microwave Manual:

This is likewise one of the factors by obtaining the soft documents of this **General Electric Spacemaker Microwave Manual** by online. You might not require more era to spend to go to the books start as well as search for them. In some cases, you likewise get not discover the message General Electric Spacemaker Microwave Manual that you are looking for. It will unconditionally squander the time.

However below, once you visit this web page, it will be so enormously easy to get as without difficulty as download lead General Electric Spacemaker Microwave Manual

It will not understand many mature as we accustom before. You can accomplish it even though work something else at house and even in your workplace. thus easy! So, are you question? Just exercise just what we find the money for under as with ease as review **General Electric Spacemaker Microwave Manual** what you later to read!

https://staging.conocer.cide.edu/About/book-search/Download_PDFS/lone_star_lawman.pdf

Table of Contents General Electric Spacemaker Microwave Manual

1. Understanding the eBook General Electric Spacemaker Microwave Manual
 - The Rise of Digital Reading General Electric Spacemaker Microwave Manual
 - Advantages of eBooks Over Traditional Books
2. Identifying General Electric Spacemaker Microwave Manual
 - Exploring Different Genres
 - Considering Fiction vs. Non-Fiction
 - Determining Your Reading Goals
3. Choosing the Right eBook Platform
 - Popular eBook Platforms
 - Features to Look for in an General Electric Spacemaker Microwave Manual
 - User-Friendly Interface
4. Exploring eBook Recommendations from General Electric Spacemaker Microwave Manual

- Personalized Recommendations
 - General Electric Spacemaker Microwave Manual User Reviews and Ratings
 - General Electric Spacemaker Microwave Manual and Bestseller Lists
5. Accessing General Electric Spacemaker Microwave Manual Free and Paid eBooks
 - General Electric Spacemaker Microwave Manual Public Domain eBooks
 - General Electric Spacemaker Microwave Manual eBook Subscription Services
 - General Electric Spacemaker Microwave Manual Budget-Friendly Options
 6. Navigating General Electric Spacemaker Microwave Manual eBook Formats
 - ePub, PDF, MOBI, and More
 - General Electric Spacemaker Microwave Manual Compatibility with Devices
 - General Electric Spacemaker Microwave Manual Enhanced eBook Features
 7. Enhancing Your Reading Experience
 - Adjustable Fonts and Text Sizes of General Electric Spacemaker Microwave Manual
 - Highlighting and Note-Taking General Electric Spacemaker Microwave Manual
 - Interactive Elements General Electric Spacemaker Microwave Manual
 8. Staying Engaged with General Electric Spacemaker Microwave Manual
 - Joining Online Reading Communities
 - Participating in Virtual Book Clubs
 - Following Authors and Publishers General Electric Spacemaker Microwave Manual
 9. Balancing eBooks and Physical Books General Electric Spacemaker Microwave Manual
 - Benefits of a Digital Library
 - Creating a Diverse Reading Collection General Electric Spacemaker Microwave Manual
 10. Overcoming Reading Challenges
 - Dealing with Digital Eye Strain
 - Minimizing Distractions
 - Managing Screen Time
 11. Cultivating a Reading Routine General Electric Spacemaker Microwave Manual
 - Setting Reading Goals General Electric Spacemaker Microwave Manual
 - Carving Out Dedicated Reading Time
 12. Sourcing Reliable Information of General Electric Spacemaker Microwave Manual

- Fact-Checking eBook Content of General Electric Spacemaker Microwave Manual
 - Distinguishing Credible Sources
13. Promoting Lifelong Learning
- Utilizing eBooks for Skill Development
 - Exploring Educational eBooks
14. Embracing eBook Trends
- Integration of Multimedia Elements
 - Interactive and Gamified eBooks

General Electric Spacemaker Microwave Manual Introduction

In today's digital age, the availability of General Electric Spacemaker Microwave Manual books and manuals for download has revolutionized the way we access information. Gone are the days of physically flipping through pages and carrying heavy textbooks or manuals. With just a few clicks, we can now access a wealth of knowledge from the comfort of our own homes or on the go. This article will explore the advantages of General Electric Spacemaker Microwave Manual books and manuals for download, along with some popular platforms that offer these resources. One of the significant advantages of General Electric Spacemaker Microwave Manual books and manuals for download is the cost-saving aspect. Traditional books and manuals can be costly, especially if you need to purchase several of them for educational or professional purposes. By accessing General Electric Spacemaker Microwave Manual versions, you eliminate the need to spend money on physical copies. This not only saves you money but also reduces the environmental impact associated with book production and transportation. Furthermore, General Electric Spacemaker Microwave Manual books and manuals for download are incredibly convenient. With just a computer or smartphone and an internet connection, you can access a vast library of resources on any subject imaginable. Whether you're a student looking for textbooks, a professional seeking industry-specific manuals, or someone interested in self-improvement, these digital resources provide an efficient and accessible means of acquiring knowledge. Moreover, PDF books and manuals offer a range of benefits compared to other digital formats. PDF files are designed to retain their formatting regardless of the device used to open them. This ensures that the content appears exactly as intended by the author, with no loss of formatting or missing graphics. Additionally, PDF files can be easily annotated, bookmarked, and searched for specific terms, making them highly practical for studying or referencing. When it comes to accessing General Electric Spacemaker Microwave Manual books and manuals, several platforms offer an extensive collection of resources. One such platform is Project Gutenberg, a nonprofit organization that provides over 60,000 free eBooks. These books are primarily in the public domain, meaning they can be freely distributed and downloaded. Project

Gutenberg offers a wide range of classic literature, making it an excellent resource for literature enthusiasts. Another popular platform for General Electric Spacemaker Microwave Manual books and manuals is Open Library. Open Library is an initiative of the Internet Archive, a non-profit organization dedicated to digitizing cultural artifacts and making them accessible to the public. Open Library hosts millions of books, including both public domain works and contemporary titles. It also allows users to borrow digital copies of certain books for a limited period, similar to a library lending system. Additionally, many universities and educational institutions have their own digital libraries that provide free access to PDF books and manuals. These libraries often offer academic texts, research papers, and technical manuals, making them invaluable resources for students and researchers. Some notable examples include MIT OpenCourseWare, which offers free access to course materials from the Massachusetts Institute of Technology, and the Digital Public Library of America, which provides a vast collection of digitized books and historical documents. In conclusion, General Electric Spacemaker Microwave Manual books and manuals for download have transformed the way we access information. They provide a cost-effective and convenient means of acquiring knowledge, offering the ability to access a vast library of resources at our fingertips. With platforms like Project Gutenberg, Open Library, and various digital libraries offered by educational institutions, we have access to an ever-expanding collection of books and manuals. Whether for educational, professional, or personal purposes, these digital resources serve as valuable tools for continuous learning and self-improvement. So why not take advantage of the vast world of General Electric Spacemaker Microwave Manual books and manuals for download and embark on your journey of knowledge?

FAQs About General Electric Spacemaker Microwave Manual Books

How do I know which eBook platform is the best for me? Finding the best eBook platform depends on your reading preferences and device compatibility. Research different platforms, read user reviews, and explore their features before making a choice. Are free eBooks of good quality? Yes, many reputable platforms offer high-quality free eBooks, including classics and public domain works. However, make sure to verify the source to ensure the eBook credibility. Can I read eBooks without an eReader? Absolutely! Most eBook platforms offer web-based readers or mobile apps that allow you to read eBooks on your computer, tablet, or smartphone. How do I avoid digital eye strain while reading eBooks? To prevent digital eye strain, take regular breaks, adjust the font size and background color, and ensure proper lighting while reading eBooks. What the advantage of interactive eBooks? Interactive eBooks incorporate multimedia elements, quizzes, and activities, enhancing the reader engagement and providing a more immersive learning experience. General Electric Spacemaker Microwave Manual is one of the best book in our library for free trial. We provide copy of General Electric Spacemaker

Microwave Manual in digital format, so the resources that you find are reliable. There are also many Ebooks of related with General Electric Spacemaker Microwave Manual. Where to download General Electric Spacemaker Microwave Manual online for free? Are you looking for General Electric Spacemaker Microwave Manual PDF? This is definitely going to save you time and cash in something you should think about.

Find General Electric Spacemaker Microwave Manual :

~~lone star lawman~~

~~logic of modern physics~~

~~locks crocs and skeeters the story of the panama canal~~

~~log cabin left overs~~

~~london superscale atlas~~

lone star and the texas rangers no. 76

~~long encounter self experience in the~~

~~london city pocket map~~

~~loner at the ball the life of andy warhol~~

~~long journey back harlequin series large print~~

logic of passion the literary criticism of william hazlitt

~~londons thames the river that shaped a city and its history~~

locusts have no king

~~logic symbols and diagrams~~

~~lolita a screenplay~~

General Electric Spacemaker Microwave Manual :

~~el enigma de fermat ariel spanish edition format kindle - Jan 28 2022~~

~~web achetez et téléchargez ebook el enigma de fermat ariel spanish edition boutique kindle policier et suspense amazon fr~~

audiolibro el enigma de fermat ariel descargar 2023 - Dec 27 2021

~~web el enigma de fermat ariel audiolibro completo descargar aqui en este portal web esta a disposicion para descargar el enigma de fermat ariel simon singh de policia negra y suspense formato audiolibro completo audiobook en castellano~~

~~el enigma de fermat overdrive - Jun 01 2022~~

web feb 10 2015 gracias a andrew wiles obsesionado desde los 10 años con el teorema se ha revelado por fin el secreto de fermat ha dejado de ser una obsesión ya no es un misterio

amazon com el enigma de fermat 9788434418714 singh - Aug 03 2022

web con estas palabras el matemático francés del siglo xvii pierre de fermat lanzaba su desafío a las generaciones venideras el último teorema de fermat de apariencia tan simple que hasta un niño podía resolverlo tuvo durante siglos a las mentes más brillantes enfrascadas en su resolución

el enigma de fermat ariel singh simon amazon es libros - Aug 15 2023

web Éste libro es la magnífica historia de una búsqueda científica sin precedentes llena de ingenio inspiración y perseverancia gracias a andrew wiles obsesionado desde los 10 años con el teorema se ha revelado por fin el secreto de fermat ha dejado de ser una obsesión ya no es un misterio leer más

el enigma de fermat simon singh planetadelibros - Jul 14 2023

web el enigma de fermat de simon singh la historia de un teorema que intrigó durante más de trescientos años a los mejores cerebros del mundo

9788434418714 el enigma de fermat ariel abebooks - Nov 06 2022

web el enigma de fermat ariel von singh simon bei abebooks de isbn 10 8434418711 isbn 13 9788434418714 editorial ariel 2015 softcover

el enigma de fermat 5 de descuento fnac - May 12 2023

web el último teorema de fermat de apariencia tan simple que hasta un niño podía resolverlo tuvo durante siglos a las mentes más brillantes enfrascadas en su resolución pasaron 350 años hasta que un respetable inglés resolvió el misterio en 1995 fermat ya era por entonces mucho más que un características ver todo fecha de lanzamiento febrero

el enigma de fermat pdf el último teorema de fermat scribd - Feb 26 2022

web el teorema de fermat tiene sus orígenes en las matemáticas de la antigua grecia dos mil años antes de que pierre de fermat planteara el problema en la forma en que se conoce hoy en $x^n + y^n = z^n$ con n un entero mayor que 2 por lo tanto conecta los fundamentos matemáticos creados por pitágoras en su teorema $x^2 + y^2 = z^2$ con las

el enigma de fermat ariel ebook singh simon - Jan 08 2023

web el enigma de fermat ariel ebook singh simon amazon com mx libros saltar al contenido principal com mx hola elige tu seleccionar el departamento en el que deseas buscar buscar amazon com mx hola identifícate cuenta y

enigma de fermat el singh simon libreria de la u - Oct 05 2022

web enigma de fermat el 9788434418714 singh simon ariel he descubierto una demostración verdaderamente maravillosa pero este margen es demasiado estrecho para contenerla con estas palabras el matemático francés del siglo xvii pierre de

fermat lanzaba su desafío a las generaciones venideras

descarga el enigma de fermat ariel gratis en epub liibook - Apr 30 2022

web este libro es la espléndida historia de una búsqueda científica sin precedentes llena de talento inspiración y perseverancia merced a andrew wiles ofuscado desde los diez años con el teorema se reveló al fin el misterio de fermat dejó de ser una obsesión por el momento no es un secreto

ariel el enigma de fermat ebook simon singh bol com - Jul 02 2022

web ariel el enigma de fermat he descubierto una demostración verdaderamente maravillosa pero este margen es demasiado estrecho para contenerla con ariel el enigma de fermat ebook simon singh 9788434419674 boeken bol com

el enigma de fermat simon singh casa del libro - Jun 13 2023

web el último teorema de fermat de apariencia tan simple que hasta un niño podía resolverlo tuvo durante siglos a las mentes más brillantes enfrascadas en su resolución pasaron 350 años hasta que un respetable inglés resolvió el misterio en 1995

el enigma de fermat singh simon ariel editorial s a 978 - Dec 07 2022

web he descubierto una demostración verdaderamente maravillosa pero este margen es demasiado estrecho para contenerla con estas palabras el matemático francés del siglo xvii pierre de fermat lanzaba su desafío a las generaciones venideras el último teorema de fermat de apariencia

el enigma de fermat ariel spanish edition kindle edition - Sep 04 2022

web el enigma de fermat ariel spanish edition ebook singh simon amazon de kindle store

el enigma de fermat ebook epub simon singh fnac - Mar 10 2023

web el enigma de fermat simon singh editorial ariel des milliers de livres avec la livraison chez vous en 1 jour ou en magasin avec 5 de réduction

amazon es opiniones de clientes el enigma de fermat ariel - Feb 09 2023

web vea reseñas y calificaciones de reseñas que otros clientes han escrito de el enigma de fermat ariel en amazon com lea reseñas de productos sinceras e imparciales de nuestros usuarios

amazon com mx opiniones de clientes el enigma de fermat ariel - Mar 30 2022

web vea reseñas y calificaciones de reseñas que otros clientes han escrito de el enigma de fermat ariel en amazon com lea reseñas de productos sinceras e imparciales de nuestros usuarios

el enigma de fermat ariel de simon singh 10 feb 2015 tapa - Apr 11 2023

web el enigma de fermat ariel de simon singh 10 feb 2015 tapa blanda amazon es libros

dr david eifrig jr s big book of retirement secrets - Jul 13 2023

web feb 8 2015 high income retirement how to safely earn 12 to 20 income streams on your savings

high income retirement by dr elfrig pdf pdf networks kualumni - Oct 24 2021

web high income retirement by dr elfrig pdf pages 3 30 high income retirement by dr elfrig pdf upload donald b murray 3 30 downloaded from election

high income retirement by dr elfrig uniport edu - Jul 01 2022

web this info get the high income retirement by dr elfrig belong to that we come up with the money for here and check out the link you could purchase lead high income

free high income retirement by dr elfrig - Feb 08 2023

web place within net connections if you seek to download and install the high income retirement by dr elfrig it is unquestionably simple then since currently we extend the

[fatih erbakan en düşük emekli maaşını asgari ücret seviyesine](#) - Jan 27 2022

web dr david eifrig s health wealth bulletin is your free guidebook to intriguing health and wealth ideas and how to live a millionaire lifestyle on far far less than you can

inflation crisis hits turkey s retirees hardest of all - Mar 29 2022

web aug 24 2023 cost of living and housing in turkey it s much less expensive to live in turkey than it is to live in the u s without accounting for rent turkey s cost of living is

[dr david eifrig our team stansberry research](#) - Dec 26 2021

web big book of retirement secrets david eifrig 2015 02 06 dr david eifrig jr takes an in depth look at six loopholes that will help you save and even earn money in your

high income retirement by dr elfrig paul remack - Nov 24 2021

web big book of retirement secrets david eifrig 2015 02 06 dr david eifrig jr takes an in depth look at six loopholes that will help you save and even earn money in your

high income retirement by dr elfrig barry jessurun copy - Aug 02 2022

web high income retirement by dr elfrig 1 10 downloaded from uniport edu ng on may 13 2023 by guest high income retirement by dr elfrig yeah reviewing a books high

high income retirement by dr elfrig pdf uniport edu - Dec 06 2022

web high income retirement by dr elfrig retire right sep 01 2022 the first scientifically backed guide to a happy fulfilling retirement over the years dr fritz fraunfelder and

[high income retirement by dr elfrig uniport edu](#) - Apr 29 2022

web jan 19 2022 istanbul a recent visit by opposition politicians to a pensioners association has highlighted the plight of those hit hardest by turkey s highest rate of

download free high income retirement by dr elfrig - Nov 05 2022

web high income retirement by dr elfrig north american fauna nov 15 2022 evidence based proactive nutrition to slow cellular aging dec 24 2020 recent research

high income retirement by dr elfrig pdf pdf support ortax - May 11 2023

web high income retirement by dr elfrig pdf pages 2 18 high income retirement by dr elfrig pdf upload suny j paterson 2 18 downloaded from support ortax org on august 31

high income retirement how to safely earn 12 to - Aug 14 2023

web mar 25 2014 high income retirement how to safely earn 12 to 20 income streams on your savings elfrig jr dr david on amazon com free shipping on qualifying offers high income retirement how to safely earn 12 to 20 income streams on

how to retire in turkey costs visas and more smartasset - Feb 25 2022

web may 29 2022 yeniden refah partisi genel başkanı fatih erbakan diyarbakır İl başkanlığınca gerçekleştirilen 2 olağan kongresi nde konuştu erbakan en düşük

high income retirement by dr elfrig cyberlab sutd edu sg - Oct 04 2022

web download any of our books when this one merely said the high income retirement by dr elfrig is universally compatible in imitation of any devices to read profits unlimited

high income retirement by dr elfrig 2023 - Apr 10 2023

web high income retirement by dr elfrig wealth after work sep 25 2021 pensions and retirement saving plans have helped millions of households build financial security but

high income retirement by dr elfrig pdf uniport edu - Jan 07 2023

web mar 6 2023 high income retirement by dr elfrig 2 10 downloaded from uniport edu ng on march 6 2023 by guest nineties the focal point was surprise and unease about

high income retirement by dr elfrig copy portal dlc ui edu - May 31 2022

web jun 4 2023 seek to download and install the high income retirement by dr elfrig it is no question simple then since currently we extend the connect to purchase and make

retirement millionaire review is david elfrig legit - Mar 09 2023

web to plan how to maximize retirement income and minimize risk in retirement income mark warshawsky and his colleagues describe strategies products and public policies

high income retirement by dr elfrig pqr uiaf gov co - Sep 03 2022

web high income retirement by dr elfrig eventually you will extremely discover a additional experience and deed by spending more cash still when accomplish you give a positive

high income retirement stansberry research - Jun 12 2023

web by dr david eifrig jr editor of retirement millionaire retirement trader and income intelligence here published in one place for the first time are the step by step details of

high income retirement by dr elfrig pdf pdf election tv - Sep 22 2021

jadwal program khusus kurikulum baru 2014 bulan ramadhan - Aug 15 2023

web jadwal progsus ramadhan1 free download as pdf file pdf text file txt or read online for free farmasi unej

jadwal kursus persiapan perkawinan kpp di kaj - Feb 09 2023

web aug 4 2014 senin 04 agustus 2014 pelatihan kecantikan salon spa tweet pelatihan menjadi therapist spa massage refleksi body massage head massage manicure

jadwal kursus bulan 2014 test downing co uk - Mar 30 2022

web aug 25 2021 İstanbul valiliği ve İstanbul İl milli eğitim müdürlüğü 2021 2022 eğitim öğretim yılına ait çalışma takvimini açıkladı takvime göre 6 eylül de başlayacak

jadwal kursus bulan 2014 logb fonedog - Dec 07 2022

web açılan sayfada yer alan detayları incelediğimde 16 70 yaş arası herkesin başvurabileceği eğitimlerin ise pazartesi salı Çarşamba perşembe ve cuma günleri gerçekleşeceği

naomi klinik kecantikan pelatihan kecantikan salon - Jan 08 2023

web jadwal kursus bulan 2014 is available in our digital library an online access to it is set as public so you can get it instantly our books collection spans in multiple locations

jadwal kursus bulan 2014 help discoveram - Jul 02 2022

web comprehending as without difficulty as understanding even more than further will give each success next to the statement as capably as perception of this jadwal kursus bulan

jadwal kursus bulan 2014 pdf full pdf voto uncal edu - Jul 14 2023

web jadwal kursus bulan 2014 pdf is available in our digital library an online access to it is set as public so you can get it instantly our digital library spans in multiple countries

jadwal kursus bulan 2014 help environment harvard edu - May 12 2023

web jadwal kursus bulan 2014 recognizing the showing off ways to get this book jadwal kursus bulan 2014 is additionally useful you have remained in right site to begin

jadwal kursus bulan 2014 ol wise edu jo - Sep 04 2022

web jadwal kursus offline karinacake bulan maret 2021 setelah lama vacuum akibat pandemi akhirnya kami kembali

membuka kelas offline bertatap muka langsung

bsdb - Oct 05 2022

web 2 jadwal kursus bulan 2014 2019 11 14 pengalaman di people development saya yakin buku ini akan memberikan manfaat bagi siapa pun selamat menikmati dan

İstanbul da İřkur kurs kayıtları devam ediyor İsmek kurs - Nov 06 2022

web jul 4 2013 jadwal kursus bulan mei julai 2014 untuk makluman semua di mana kursus yang berkaitan industri pembinaan anjuran pihak kami adalah mendapat

karina s home made - Aug 03 2022

web jadwal kursus bulan 2014 temuramah eksklusif bersama ustaz tajuddin othman abdullah bekas paderi besar gereja gereja seluruh sabah oleh jamilah aini mohd

jadwal kursus bulan 2014 pdf hipertexto - Jun 13 2023

web jadwal kursus bulan 2014 linode ogre3d org jadwal kursus bulan 2014 kendal industrial park kawasan industri terpadu kendal may 11th 2018 kendal dan potensinya yang luar

jadwal kursus bulan 2014 pdf copy - Mar 10 2023

web jadwal kursus bulan 2014 pdf recognizing the exaggeration ways to acquire this ebook jadwal kursus bulan 2014 pdf is additionally useful you have remained in right site to

2022 2023 eğitim Öğretim yılı kur an kursları törenle açıldı - Nov 25 2021

web İstanbul meslek kursları meslek edindirme kursları meslek eğitim meslek eğitim kursları meslek kursları kariyer gelişim kursu meb onaylı sertifika kursları

jadwal kursus bulan 2014 ny ibeco se - Apr 30 2022

web jadwal kursus bulan 2014 downloaded from test downing co uk by guest braedon hancock best of sri lanka dan maladewa routledge seseorang yang menjadikan

jadwal kursus bulan 2014 uniport edu ng - Apr 11 2023

web mar 8 2023 jadwal kursus bulan 2014 2 13 downloaded from uniport edu ng on march 8 2023 by guest sebulan cepat belajar bahasa jerman reny yuniawati 2014 12 01 buku

jadwal kursus kahwin bulan februari 2014 - Dec 27 2021

web sep 19 2022 2022 2023 eğitim Öğretim yılı kur an kursları törenle açıldı 19 09 2022 İstanbul valisi ali yerlikaya nın katılımıyla 2022 2023 eğitim Öğretim yılı kur an kursları

jadwal kursus bulan 2014 beta login rschooltoday com - Jun 01 2022

web 4 jadwal kursus bulan 2014 2023 01 03 trying to forget the lost love of her past as vice president of the sinister knights

ryker beckett has proven his dedication and loyalty by

jadwal kursus bulan 2014 lindungibumi bayer com - Jan 28 2022

web feb 10 2014 berikut adalah jadwal terkini kursus kahwin kami di uptown danau kota 1 sabtu ahad 15 16hb feb 2014 2

sabtu ahad 22 23hb feb 2014 3 rabu

İstanbul da 2021 2022 eğitim öğretim yılı takvimi açıklandı - Feb 26 2022

web mei 2014 untuk memperhatikan sopan santun beremail ria jadwal kursus kue amp masakan surabaya tristar culinary

may 11th 2018 jadwal kursus bulan mei

İstanbul kariyer gelişim kursu Ümraniye meslek edindirme kursları - Oct 25 2021

web apr 25 2023 jadwal kursus bulan 2014 when people should go to the ebook stores search inauguration by shop shelf by

shelf it is in reality problematic this is why we

jadwal kursus bulan 2014 lcod clozmaster com - Sep 23 2021