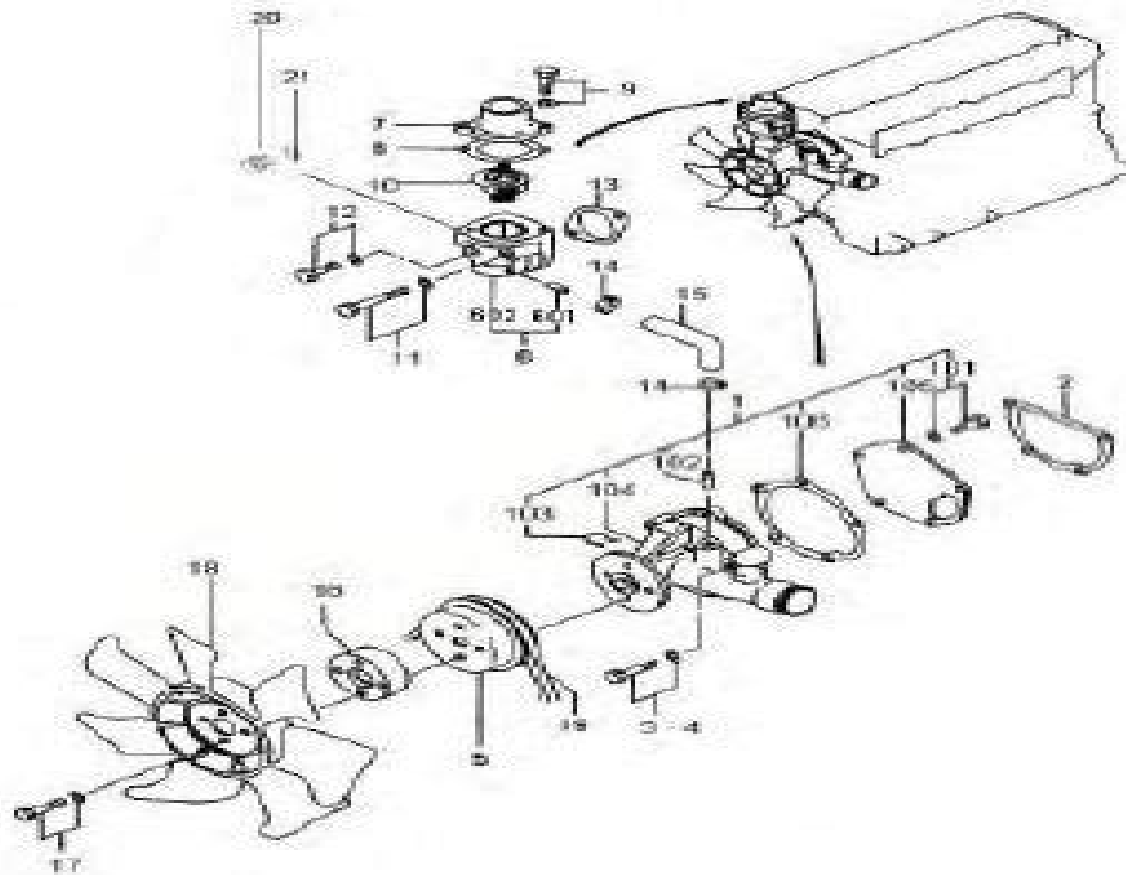


COOLING SYSTEM

FIG. 46



Montana Tractor Manual

Siddappa N.Byrareddy



Montana Tractor Manual:

When somebody should go to the ebook stores, search start by shop, shelf by shelf, it is in reality problematic. This is why we allow the books compilations in this website. It will totally ease you to look guide **Montana Tractor Manual** as you such as.

By searching the title, publisher, or authors of guide you in fact want, you can discover them rapidly. In the house, workplace, or perhaps in your method can be all best area within net connections. If you intention to download and install the Montana Tractor Manual, it is completely simple then, previously currently we extend the belong to to purchase and make bargains to download and install Montana Tractor Manual thus simple!

<https://staging.conocer.cide.edu/book/scholarship/index.jsp/hands%20can%20do%20anything%20watch%20me%20read.pdf>

Table of Contents Montana Tractor Manual

1. Understanding the eBook Montana Tractor Manual
 - The Rise of Digital Reading Montana Tractor Manual
 - Advantages of eBooks Over Traditional Books
2. Identifying Montana Tractor Manual
 - Exploring Different Genres
 - Considering Fiction vs. Non-Fiction
 - Determining Your Reading Goals
3. Choosing the Right eBook Platform
 - Popular eBook Platforms
 - Features to Look for in an Montana Tractor Manual
 - User-Friendly Interface
4. Exploring eBook Recommendations from Montana Tractor Manual
 - Personalized Recommendations
 - Montana Tractor Manual User Reviews and Ratings
 - Montana Tractor Manual and Bestseller Lists
5. Accessing Montana Tractor Manual Free and Paid eBooks

- Montana Tractor Manual Public Domain eBooks
 - Montana Tractor Manual eBook Subscription Services
 - Montana Tractor Manual Budget-Friendly Options
6. Navigating Montana Tractor Manual eBook Formats
 - ePub, PDF, MOBI, and More
 - Montana Tractor Manual Compatibility with Devices
 - Montana Tractor Manual Enhanced eBook Features
 7. Enhancing Your Reading Experience
 - Adjustable Fonts and Text Sizes of Montana Tractor Manual
 - Highlighting and Note-Taking Montana Tractor Manual
 - Interactive Elements Montana Tractor Manual
 8. Staying Engaged with Montana Tractor Manual
 - Joining Online Reading Communities
 - Participating in Virtual Book Clubs
 - Following Authors and Publishers Montana Tractor Manual
 9. Balancing eBooks and Physical Books Montana Tractor Manual
 - Benefits of a Digital Library
 - Creating a Diverse Reading Collection Montana Tractor Manual
 10. Overcoming Reading Challenges
 - Dealing with Digital Eye Strain
 - Minimizing Distractions
 - Managing Screen Time
 11. Cultivating a Reading Routine Montana Tractor Manual
 - Setting Reading Goals Montana Tractor Manual
 - Carving Out Dedicated Reading Time
 12. Sourcing Reliable Information of Montana Tractor Manual
 - Fact-Checking eBook Content of Montana Tractor Manual
 - Distinguishing Credible Sources
 13. Promoting Lifelong Learning
 - Utilizing eBooks for Skill Development

- Exploring Educational eBooks
14. Embracing eBook Trends
- Integration of Multimedia Elements
 - Interactive and Gamified eBooks

Montana Tractor Manual Introduction

Montana Tractor Manual Offers over 60,000 free eBooks, including many classics that are in the public domain. Open Library: Provides access to over 1 million free eBooks, including classic literature and contemporary works. Montana Tractor Manual Offers a vast collection of books, some of which are available for free as PDF downloads, particularly older books in the public domain. Montana Tractor Manual : This website hosts a vast collection of scientific articles, books, and textbooks. While it operates in a legal gray area due to copyright issues, its a popular resource for finding various publications. Internet Archive for Montana Tractor Manual : Has an extensive collection of digital content, including books, articles, videos, and more. It has a massive library of free downloadable books. Free-eBooks Montana Tractor Manual Offers a diverse range of free eBooks across various genres. Montana Tractor Manual Focuses mainly on educational books, textbooks, and business books. It offers free PDF downloads for educational purposes. Montana Tractor Manual Provides a large selection of free eBooks in different genres, which are available for download in various formats, including PDF. Finding specific Montana Tractor Manual, especially related to Montana Tractor Manual, might be challenging as theyre often artistic creations rather than practical blueprints. However, you can explore the following steps to search for or create your own Online Searches: Look for websites, forums, or blogs dedicated to Montana Tractor Manual, Sometimes enthusiasts share their designs or concepts in PDF format. Books and Magazines Some Montana Tractor Manual books or magazines might include. Look for these in online stores or libraries. Remember that while Montana Tractor Manual, sharing copyrighted material without permission is not legal. Always ensure youre either creating your own or obtaining them from legitimate sources that allow sharing and downloading. Library Check if your local library offers eBook lending services. Many libraries have digital catalogs where you can borrow Montana Tractor Manual eBooks for free, including popular titles. Online Retailers: Websites like Amazon, Google Books, or Apple Books often sell eBooks. Sometimes, authors or publishers offer promotions or free periods for certain books. Authors Website Occasionally, authors provide excerpts or short stories for free on their websites. While this might not be the Montana Tractor Manual full book , it can give you a taste of the authors writing style. Subscription Services Platforms like Kindle Unlimited or Scribd offer subscription-based access to a wide range of Montana Tractor Manual eBooks, including some popular titles.

FAQs About Montana Tractor Manual Books

How do I know which eBook platform is the best for me? Finding the best eBook platform depends on your reading preferences and device compatibility. Research different platforms, read user reviews, and explore their features before making a choice. Are free eBooks of good quality? Yes, many reputable platforms offer high-quality free eBooks, including classics and public domain works. However, make sure to verify the source to ensure the eBook credibility. Can I read eBooks without an eReader? Absolutely! Most eBook platforms offer webbased readers or mobile apps that allow you to read eBooks on your computer, tablet, or smartphone. How do I avoid digital eye strain while reading eBooks? To prevent digital eye strain, take regular breaks, adjust the font size and background color, and ensure proper lighting while reading eBooks. What the advantage of interactive eBooks? Interactive eBooks incorporate multimedia elements, quizzes, and activities, enhancing the reader engagement and providing a more immersive learning experience. Montana Tractor Manual is one of the best book in our library for free trial. We provide copy of Montana Tractor Manual in digital format, so the resources that you find are reliable. There are also many Ebooks of related with Montana Tractor Manual. Where to download Montana Tractor Manual online for free? Are you looking for Montana Tractor Manual PDF? This is definitely going to save you time and cash in something you should think about. If you trying to find then search around for online. Without a doubt there are numerous these available and many of them have the freedom. However without doubt you receive whatever you purchase. An alternate way to get ideas is always to check another Montana Tractor Manual. This method for see exactly what may be included and adopt these ideas to your book. This site will almost certainly help you save time and effort, money and stress. If you are looking for free books then you really should consider finding to assist you try this. Several of Montana Tractor Manual are for sale to free while some are payable. If you arent sure if the books you would like to download works with for usage along with your computer, it is possible to download free trials. The free guides make it easy for someone to free access online library for download books to your device. You can get free download on free trial for lots of books categories. Our library is the biggest of these that have literally hundreds of thousands of different products categories represented. You will also see that there are specific sites catered to different product types or categories, brands or niches related with Montana Tractor Manual. So depending on what exactly you are searching, you will be able to choose e books to suit your own need. Need to access completely for Campbell Biology Seventh Edition book? Access Ebook without any digging. And by having access to our ebook online or by storing it on your computer, you have convenient answers with Montana Tractor Manual To get started finding Montana Tractor Manual, you are right to find our website which has a comprehensive collection of books online. Our library is the biggest of these that have literally hundreds of thousands of different products represented. You will also see that there are specific sites catered to different categories or niches related with Montana Tractor Manual So depending on what exactly you are searching, you will be able to choose ebook to suit your own need.

Thank you for reading Montana Tractor Manual. Maybe you have knowledge that, people have search numerous times for their favorite readings like this Montana Tractor Manual, but end up in harmful downloads. Rather than reading a good book with a cup of coffee in the afternoon, instead they juggled with some harmful bugs inside their laptop. Montana Tractor Manual is available in our book collection an online access to it is set as public so you can download it instantly. Our digital library spans in multiple locations, allowing you to get the most less latency time to download any of our books like this one. Merely said, Montana Tractor Manual is universally compatible with any devices to read.

Find Montana Tractor Manual :

hands can do anything watch me read

handbook of thick- and thin-film hybrid microelectronics

handbook of social services for asian and pacific islanders

hank the cowdog no 2 the further adventures of hank the cowdog audio

handwoven textiles of early new england the legacy of a rural people 1640-1880

handbook of the teaching of psychology

handbook of naturally occurring compounds volume ii two terpenes

handbook of whisky

~~handbook of print making print makers~~

hanna boys center haven of hope

handwriting analyzer

handsome road

hanging loose no. 78

handbook of theoretical computer science volume b formal models and semantics

~~hangin with the lil bratz~~

Montana Tractor Manual :

1 arm handstand gymfit tv by gymnasticbodies - Oct 14 2023

web equipment body only 1 arm handstand begin in a free handstand with your legs straddled wide shift some weight to your right arm and take your left hand off the ground as you shift onto your right arm don t think hips over arm think working side s leg down this will automatically will raise your opposite leg

3 ways to do a gymnastics handstand wikipediawikihow - Nov 03 2022

web nov 11 2023 2 bring your legs down one at a time when you re ready to exit your handstand coming down is exactly like going up only in reverse extend one leg and carefully lower it down in front of your body as you shift your weight into your palms touch down with the ball of your foot then lower your other leg

how to do a handstand gymnastics hq - May 09 2023

web jun 26 2023 here are the steps start in a lunge your arms should be straight above your head and your dominant leg should be in front slightly bent kick up to handstand you want to feel vertical and try to hold the straight body position by squeezing your bottom lower one leg at a time to land in a

a year in to gymnasticbodies foundation and handstand reddit - Sep 01 2022

web nov 3 2014 i m a bit more than half way through foundation on all but two of the 7 elements which i am stuck just before being half way through on and am 75 done with handstand 1 and am about to start handstand 2

foundation 1 vs handstand 1 strength gymnasticbodies - Dec 04 2022

web apr 26 2014 should we start with foundation 1 or handstand 1 how are both programs comparable and where are they different can the programs be combined in the beginning or would that be too much

does anyone here do handstand one from gymnastic bodies - Aug 12 2023

web mar 24 2015 work on the pes in order starting from the first wall handstand one pe7 don t worry too much about following the exact schedule but aim for mastery before moving on at the same time do whichever of the earlier pes are most difficult or feel like weaknesses headstands pe6 for me atm

gymnastic bodies review foundation handstand 1 and 2 reddit - Jun 10 2023

web dec 8 2016 handstand one review handstand one h1 is designed to develop a free standing handstand personally i have enjoyed this program and feel comfortable recommending it to others with a caveat it is made for handstand beginners i came into this course a raw beginner no handstand practice at all and so this probably explains

gymnastic bodies fundamentals review plus handstands - Feb 06 2023

web jul 21 2016 is the gymnasticbodies fundamentals course worth it plus my thoughts on the handstand course i m currently following learn more about gymnasticbodies

3 ways to do a one armed handstand wikipediawikihow fitness - May 29 2022

web oct 21 2021 always do a few minutes of cardio first 2 stretch to protect your muscles from injury you ll engage the muscles throughout your body while doing a one arm handstand so it s important to stretch first do about 5 10 minutes of stretches to warm up your body hold each stretch for 30 60 seconds

handstand one gymnastic bodies quick question - Oct 02 2022

web may 23 2016 good afternoon reddit i ve recently started the foundation one and handstand one programs from gymnastic bodies i was wondering if anyone here

handstand how to do your first one in 4 steps gymnast - Mar 07 2023

web how to work up to a handstand if you don t feel ready to try a handstand yet strengthen your body with exercises like hollow holds incline handstands and shoulder shrugs with a weight held overhead with a straight arm hollow holds build core strength rhys morgan

handstand progressions train at your pace gymfit tv by - Apr 08 2023

web gymnasticbodies handstand progressions train at your pace use handstand progressions to train your handstands successfully in today s high speed world popular fitness trends are constantly changing and evolving in search for the ultimate test of strength coordination and endurance

strength and conditioning for handstands - Feb 23 2022

web here are some strength and conditioning exercises that can help you build the basis needed to hold and develop a perfect handstand 1 condition your wrists the wrists are what is holding your body up when you do a handstand so it s crucial to work on your wrist strength and flexibility first and foremost

book review foundation one and handstand one by - Jul 31 2022

web mar 15 2013 book review foundation one and handstand one by christopher sommer christopher sommer s amazing new courses foundation one and handstand one break down complicated gymnastics techniques for the beginner they also incorporate much needed mobility drills

what are handstands in gymnastics information resources - Mar 27 2022

web a handstand in gymnastics is a movement that requires a person to support their body in a vertical position using their hands it s one of the most basic positions in gymnastics and requires the gymnast to have a strong upper body and good control of their core muscles

handstands for beginners gymfit tv by gymnasticbodies - Jan 05 2023

web so where do you begin with the basics of course here are three great handstand cues that beginners can use today to improve their practice 1 grip the floor a common mistake that novice trainees make when attempting handstands for the first time is that they simply do not grip the floor enough while upside down

days 1 10 gymnastic bodies handstand challenge youtube - Apr 27 2022

web hurt my neck so had to take some time off training but went to the gym and had a go at days 1 to 10 of the gb handstand challenge there are some great exer

one arm handstand movement gymnasticbodies - Jul 11 2023

web oct 18 2008 1 there is no one without professional background who performs a one arm handstand of any kind with the correct hollow body alignment 2 there is no one with any real ability to hold the closed leg straight body one arm handstand for an extensive amount of time without any circus specialized training

handstand wikipedia - Jun 29 2022

web handstands are performed in many athletic activities including acro dance cheerleading circus yoga capoeira calisthenics and gymnastics some variation of a handstand is performed on every gymnastic apparatus and many tumbling skills pass through a handstand position during their execution

handstand one is live community gymnasticbodies - Sep 13 2023

web mar 1 2013 the handstand one course is even larger than foundation one in both size and content the amount of training to follow is simply huge on that note remember that handstand one is a joint offering of the handstand chronicles and liquid steel part 2 not only is there specific handstand training but tons of wrist work and mobility

nicolas poussin the metropolitan museum of art - Jan 30 2023

web poussin s art is thus best understood as a response to that setting for baroque art and he relates poussin s work to the later tradition of french history painting the painter s

poussin s paintings a study in art historical methodology by - Feb 28 2023

web painter nicolas poussin 1594 1665 from a gender studies perspective focusing on a critical analysis of his representations of women the book s thematic chapters

[poussin s paintings a study in art historical methodology](#) - Jul 04 2023

web feb 13 2013 poussin s paintings a study in art historical methodology david carrier penn state university press 1992 employing the methodologies of the new art history

poussin s paintings a study in art historical methodology - Aug 05 2023

web poussin s paintings a study in art historical methodology by carrier david 1944 publication date 1993 topics poussin nicolas 1594 1665 criticism and

poussin s paintings a study in art historical meth pdf - Nov 27 2022

web the final years of nicolas poussin poussin continued to paint three or four pictures a year in the 1650s despite being increasingly ill many of these works depict the holy family a

poussin s paintings a study in art historical meth uniport edu - Jul 24 2022

web this poussin s paintings a study in art historical meth as one of the most working sellers here will entirely be in the course of the best options to review art in

poussin s paintings a study in art historical methodology - Sep 06 2023

web pdf 0 7mb 10 2307 431363 pdf poussin s paintings a study in art historical methodology john wiley and sons wiley blackwell publishing wiley blackwell

poussin s paintings a study in art historical meth copy - Jan 18 2022

poussin s paintings a study in art historical meth 2022 ftp - Feb 16 2022

web may 26 2023 poussin s paintings a study in art historical meth 2 10 downloaded from uniport edu ng on may 26 2023 by guest intellectual prizing reason order and

poussin s paintings a study in art historical methodology - Jun 03 2023

web dec 14 1992 employing the methodologies of the new art history as well as some tools provided by poststructuralism historiography and analytic philosophy poussin s

nicolas poussin 1594 1665 the metropolitan - Dec 29 2022

web this page is a list of paintings by nicolas poussin andelys 15 june 1594 rome 19 november 1665 the attributions vary notably from one art historian to another jacques

poussin s paintings a study in art historical meth 2022 - Oct 27 2022

web feb 28 2023 poussin and nature nicolas poussin 2008 the work of the great french painter nicolas poussin 15941665 is most often associated with classically inspired

list of paintings by nicolas poussin wikipedia - Sep 25 2022

web the drawings of nicolas poussin nicolas poussin 1939 girolamo da carpi s sketchbook here assembled and catalogued by professor canedy comprises the largest single

poussin s paintings a study in art historical methodology by - Dec 17 2021

poussin s paintings a study in art historical meth copy - Nov 15 2021

poussin s paintings a study in art historical - May 02 2023

web poussin s paintings a study in art historical methodology author david carrier publisher penn state press 1993 isbn 0271041676 9780271041674 length 276

poussin s paintings a study in art historical meth copy - Jun 22 2022

web poussin s paintings a study in art historical meth painting and narrative in france from poussin to gauguin nicolas poussin paintings in the national gallery london

poussin s paintings a study in art historical meth download - Mar 20 2022

web sep 11 2023 biography amp 118 most important artworks poussin s paintings a study in art historical eliezer and rebecca louvre museum paris nicolas poussin saints peter

[poussin s paintings a study in art historical meth colin b](#) - Apr 20 2022

web poussin s paintings a study in art historical meth 2 13 downloaded from uniport edu ng on june 19 2023 by guest draw what value did they place on their drawings how did

poussin s paintings a study in art historical methodology by - Oct 07 2023

web jun 1 1995 daniel herwitz poussin s paintings a study in art historical methodology by david carrier the journal of aesthetics and art criticism volume 53 issue 3

[poussin s paintings a study in art historical methodology](#) - Apr 01 2023

web the magi poussin nicolas google arts poussin s paintings a study in art historical poussin paintings fine art america exhibition poussin and god louvre museum paris

poussin s paintings a study in art historical meth copy - May 22 2022

web a comparison of the art of nicolas poussin and the art of jean racine as a study of seventeenth century french classicism nicolas poussin his life and work the

[nicolas poussin baroque painter french master rome](#) - Aug 25 2022

web may 30 2023 poussin s women troy thomas 2020 07 10 this book examines the paintings and drawings of the well known seventeenth century french painter nicolas

[moon mission the epic 400 year journey to apollo 11](#) - Apr 20 2022

web moon mission the epic 400 year journey to apollo 11 brouwer sigmund 0 0 dodaj pierwszą recenzję 80 00 zł dodaj do koszyka sprzedaje empik wysyłka w 7 8 dni rob dostawa i płatność zwrot do 14 dni zwroty zapłać za 30 dni więcej inni sprzedawcy 1 informacje o cenie informacje szczegółowe pokaż wszystkie wydawca kids can pr

moon mission the epic 400 year journey to apollo 11 - May 22 2022

web moon mission takes us on a step by step journey alongside the apollo astronauts for their incredible mission to put a man on the moon opening each chapter one step closer to success as we learn about the mission prep the obstacles they faced and all the hard work it took to accomplish one of the greatest feats in mankind s history

[the epic 400 year journey to apollo 11 booktopia](#) - Jul 24 2022

web booktopia has moon mission the epic 400 year journey to apollo 11 by sigmund brouwer buy a discounted hardcover of moon mission online from australia s leading online bookstore

moon mission the epic 400 year journey to apollo 11 - Sep 06 2023

web may 7 2019 moon mission the epic 400 year journey to apollo 11 hardcover may 7 2019 this riveting narrative told from

the astronauts points of view offers a unique approach to the story behind apollo 11 s successful though nearly disastrous
moon mission the epic 400 year journey to apollo 11 google - May 02 2023

web may 7 2019 written in a series of episodes moon mission recounts the story of apollo 11 told from the astronauts point of view the narrative grabs readers and pulls them along to travel along with

moon mission the epic 400 year journey to apollo 11 - Mar 20 2022

web moon mission the epic 400 year journey to apollo 11 this engaging narrative told from the astronauts points of view offers a unique approach to the story behind apollo 11 s successful though nearly disastrous 1969 moon landing

moon mission the epic 400 year journey to apollo 11 - Sep 25 2022

web jun 30 2019 gr 4 8 an engaging second person point of view narrative puts readers into the place of the astronauts in this detailed exploration of the triumphs and near disasters of the apollo 11 mission and the science and scientists who made it possible

moon mission the epic 400 year journey to apollo 11 kindle - Feb 28 2023

web may 7 2019 moon mission the epic 400 year journey to apollo 11 ebook brouwer sigmund amazon co uk kindle store skip to main content co uk delivering to london w1d 7 sign in to update your location kindle store select the department you want to search in search amazon co uk hello sign in account

moon mission the epic 400 year journey to apollo 11 goodreads - Oct 07 2023

web may 7 2019 4 14 43 ratings18 reviews this riveting narrative told from the astronauts points of view offers a unique approach to the story behind apollo 11 s successful though nearly disastrous 1969 moon landing

moon mission the epic 400 year journey to apollo 11 abebooks - Nov 27 2022

web abebooks com moon mission the epic 400 year journey to apollo 11 9781525300363 by brouwer sigmund and a great selection of similar new used and collectible books available now at great prices moon mission the epic 400 year journey to apollo 11 brouwer sigmund 9781525300363 abebooks

moon mission the epic 400 year journey to apollo 11 hardcover - Jan 30 2023

web may 7 2019 this riveting narrative told from the astronauts points of view offers a unique approach to the story behind apollo 11 s successful though nearly disastrous 1969 moon landing

moon mission the epic 400 year journey to apollo 11 - Oct 27 2022

web fifty years ago for eight days in july 1969 much of the western world avidly followed news of the apollo 11 mission that landed humans on the moon and returned them safely to earth

moon mission the epic 400 year journey to apollo 11 wake - Aug 25 2022

web a riveting approach to the fascinating story behind apollo 11 s successful but nearly disastrous 1969 moon landing moon

landing 1969 ties the preceding four centuries of science technology engineering and math to the apollo 11 mission and the first steps on the moon with the art of storytelling structured in 11 episodes the narrative takes us

moon mission the epic 400 year journey to apollo 11 - Jun 03 2023

web moon mission the epic 400 year journey to apollo 11 author sigmund brouwer author summary this riveting narrative told from the astronauts points of view offers a unique approach to the story behind apollo 11 s successful though nearly disastrous 1969 moon landing

moon mission the epic 400 year journey to apollo 11 books - Dec 29 2022

web this riveting narrative told from the astronauts points of view offers a unique approach to the story behind apollo 11 s successful though nearly disastrous 1969 moon landing readers are brought along on the ride of a lifetime as they relive every step of the mission including the nail biting and relatively unknown crucial moments

apollo missions to the moon 2019 imdb - Feb 16 2022

web mar 22 2020 apollo missions to the moon directed by tom jennings with walt disney ward kimball wernher von braun joseph shea the apollo space program 12 manned missions one impossible goal with rare archival footage and audio this remarkable documentary sheds new light on an incredible time in human history

moon mission the epic 400 year journey to apollo 11 - Jun 22 2022

web a riveting approach to the fascinating story behind apollo 11 s successful but nearly disastrous 1969 moon landing moon landing 1969 ties the preceding four centuries of science technology engineering and math to the apollo 11 mission and the first steps on the moon with the art of storytelling structured in 11 episodes the narrative takes us

moon mission the epic 400 year journey to apollo 11 - Jul 04 2023

web may 7 2019 this riveting narrative told from the astronauts points of view offers a unique approach to the story behind apollo 11 s successful though nearly disastrous 1969 moon landing readers are brought along on the ride of a

moon mission the epic 400 year journey to apollo 11 kindle - Aug 05 2023

web may 7 2019 moon mission the epic 400 year journey to apollo 11 kindle edition by sigmund brouwer author format kindle edition 4 5 out of 5 stars 12 ratings

moon mission the epic 400 year journey to apollo 11 hardcover - Apr 01 2023

web moon mission the epic 400 year journey to apollo 11 brouwer sigmund amazon com be books