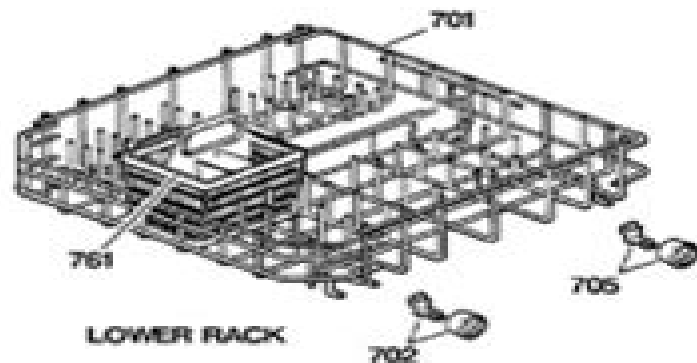


UPPER RACK



LOWER RACK

# Ge Adora Dishwasher Manual

**B Lingard**



## **Ge Adora Dishwasher Manual:**

Recognizing the pretentiousness ways to get this book **Ge Adora Dishwasher Manual** is additionally useful. You have remained in right site to begin getting this info. acquire the Ge Adora Dishwasher Manual connect that we allow here and check out the link.

You could purchase guide Ge Adora Dishwasher Manual or acquire it as soon as feasible. You could quickly download this Ge Adora Dishwasher Manual after getting deal. So, subsequent to you require the books swiftly, you can straight get it. Its for that reason definitely easy and for that reason fats, isnt it? You have to favor to in this announce

<https://staging.conocer.cide.edu/About/detail/default.aspx/Hp%202000%20Notebook%20Pc%20Guide.pdf>

## **Table of Contents Ge Adora Dishwasher Manual**

1. Understanding the eBook Ge Adora Dishwasher Manual
  - The Rise of Digital Reading Ge Adora Dishwasher Manual
  - Advantages of eBooks Over Traditional Books
2. Identifying Ge Adora Dishwasher Manual
  - Exploring Different Genres
  - Considering Fiction vs. Non-Fiction
  - Determining Your Reading Goals
3. Choosing the Right eBook Platform
  - Popular eBook Platforms
  - Features to Look for in an Ge Adora Dishwasher Manual
  - User-Friendly Interface
4. Exploring eBook Recommendations from Ge Adora Dishwasher Manual
  - Personalized Recommendations
  - Ge Adora Dishwasher Manual User Reviews and Ratings
  - Ge Adora Dishwasher Manual and Bestseller Lists
5. Accessing Ge Adora Dishwasher Manual Free and Paid eBooks

- Ge Adora Dishwasher Manual Public Domain eBooks
  - Ge Adora Dishwasher Manual eBook Subscription Services
  - Ge Adora Dishwasher Manual Budget-Friendly Options
6. Navigating Ge Adora Dishwasher Manual eBook Formats
    - ePub, PDF, MOBI, and More
    - Ge Adora Dishwasher Manual Compatibility with Devices
    - Ge Adora Dishwasher Manual Enhanced eBook Features
  7. Enhancing Your Reading Experience
    - Adjustable Fonts and Text Sizes of Ge Adora Dishwasher Manual
    - Highlighting and Note-Taking Ge Adora Dishwasher Manual
    - Interactive Elements Ge Adora Dishwasher Manual
  8. Staying Engaged with Ge Adora Dishwasher Manual
    - Joining Online Reading Communities
    - Participating in Virtual Book Clubs
    - Following Authors and Publishers Ge Adora Dishwasher Manual
  9. Balancing eBooks and Physical Books Ge Adora Dishwasher Manual
    - Benefits of a Digital Library
    - Creating a Diverse Reading Collection Ge Adora Dishwasher Manual
  10. Overcoming Reading Challenges
    - Dealing with Digital Eye Strain
    - Minimizing Distractions
    - Managing Screen Time
  11. Cultivating a Reading Routine Ge Adora Dishwasher Manual
    - Setting Reading Goals Ge Adora Dishwasher Manual
    - Carving Out Dedicated Reading Time
  12. Sourcing Reliable Information of Ge Adora Dishwasher Manual
    - Fact-Checking eBook Content of Ge Adora Dishwasher Manual
    - Distinguishing Credible Sources
  13. Promoting Lifelong Learning
    - Utilizing eBooks for Skill Development

- Exploring Educational eBooks
14. Embracing eBook Trends
- Integration of Multimedia Elements
  - Interactive and Gamified eBooks

### **Ge Adora Dishwasher Manual Introduction**

Free PDF Books and Manuals for Download: Unlocking Knowledge at Your Fingertips In today's fast-paced digital age, obtaining valuable knowledge has become easier than ever. Thanks to the internet, a vast array of books and manuals are now available for free download in PDF format. Whether you are a student, professional, or simply an avid reader, this treasure trove of downloadable resources offers a wealth of information, conveniently accessible anytime, anywhere. The advent of online libraries and platforms dedicated to sharing knowledge has revolutionized the way we consume information. No longer confined to physical libraries or bookstores, readers can now access an extensive collection of digital books and manuals with just a few clicks. These resources, available in PDF, Microsoft Word, and PowerPoint formats, cater to a wide range of interests, including literature, technology, science, history, and much more. One notable platform where you can explore and download free Ge Adora Dishwasher Manual PDF books and manuals is the internet's largest free library. Hosted online, this catalog compiles a vast assortment of documents, making it a veritable goldmine of knowledge. With its easy-to-use website interface and customizable PDF generator, this platform offers a user-friendly experience, allowing individuals to effortlessly navigate and access the information they seek. The availability of free PDF books and manuals on this platform demonstrates its commitment to democratizing education and empowering individuals with the tools needed to succeed in their chosen fields. It allows anyone, regardless of their background or financial limitations, to expand their horizons and gain insights from experts in various disciplines. One of the most significant advantages of downloading PDF books and manuals lies in their portability. Unlike physical copies, digital books can be stored and carried on a single device, such as a tablet or smartphone, saving valuable space and weight. This convenience makes it possible for readers to have their entire library at their fingertips, whether they are commuting, traveling, or simply enjoying a lazy afternoon at home. Additionally, digital files are easily searchable, enabling readers to locate specific information within seconds. With a few keystrokes, users can search for keywords, topics, or phrases, making research and finding relevant information a breeze. This efficiency saves time and effort, streamlining the learning process and allowing individuals to focus on extracting the information they need. Furthermore, the availability of free PDF books and manuals fosters a culture of continuous learning. By removing financial barriers, more people can access educational resources and pursue lifelong learning, contributing to personal growth and professional development. This democratization of knowledge promotes intellectual curiosity and empowers

individuals to become lifelong learners, promoting progress and innovation in various fields. It is worth noting that while accessing free Ge Adora Dishwasher Manual PDF books and manuals is convenient and cost-effective, it is vital to respect copyright laws and intellectual property rights. Platforms offering free downloads often operate within legal boundaries, ensuring that the materials they provide are either in the public domain or authorized for distribution. By adhering to copyright laws, users can enjoy the benefits of free access to knowledge while supporting the authors and publishers who make these resources available. In conclusion, the availability of Ge Adora Dishwasher Manual free PDF books and manuals for download has revolutionized the way we access and consume knowledge. With just a few clicks, individuals can explore a vast collection of resources across different disciplines, all free of charge. This accessibility empowers individuals to become lifelong learners, contributing to personal growth, professional development, and the advancement of society as a whole. So why not unlock a world of knowledge today? Start exploring the vast sea of free PDF books and manuals waiting to be discovered right at your fingertips.

### **FAQs About Ge Adora Dishwasher Manual Books**

1. Where can I buy Ge Adora Dishwasher Manual books? Bookstores: Physical bookstores like Barnes & Noble, Waterstones, and independent local stores. Online Retailers: Amazon, Book Depository, and various online bookstores offer a wide range of books in physical and digital formats.
2. What are the different book formats available? Hardcover: Sturdy and durable, usually more expensive. Paperback: Cheaper, lighter, and more portable than hardcovers. E-books: Digital books available for e-readers like Kindle or software like Apple Books, Kindle, and Google Play Books.
3. How do I choose a Ge Adora Dishwasher Manual book to read? Genres: Consider the genre you enjoy (fiction, non-fiction, mystery, sci-fi, etc.). Recommendations: Ask friends, join book clubs, or explore online reviews and recommendations. Author: If you like a particular author, you might enjoy more of their work.
4. How do I take care of Ge Adora Dishwasher Manual books? Storage: Keep them away from direct sunlight and in a dry environment. Handling: Avoid folding pages, use bookmarks, and handle them with clean hands. Cleaning: Gently dust the covers and pages occasionally.
5. Can I borrow books without buying them? Public Libraries: Local libraries offer a wide range of books for borrowing. Book Swaps: Community book exchanges or online platforms where people exchange books.
6. How can I track my reading progress or manage my book collection? Book Tracking Apps: Goodreads, LibraryThing,

and Book Catalogue are popular apps for tracking your reading progress and managing book collections. Spreadsheets: You can create your own spreadsheet to track books read, ratings, and other details.

7. What are Ge Adora Dishwasher Manual audiobooks, and where can I find them? Audiobooks: Audio recordings of books, perfect for listening while commuting or multitasking. Platforms: Audible, LibriVox, and Google Play Books offer a wide selection of audiobooks.
8. How do I support authors or the book industry? Buy Books: Purchase books from authors or independent bookstores. Reviews: Leave reviews on platforms like Goodreads or Amazon. Promotion: Share your favorite books on social media or recommend them to friends.
9. Are there book clubs or reading communities I can join? Local Clubs: Check for local book clubs in libraries or community centers. Online Communities: Platforms like Goodreads have virtual book clubs and discussion groups.
10. Can I read Ge Adora Dishwasher Manual books for free? Public Domain Books: Many classic books are available for free as they're in the public domain. Free E-books: Some websites offer free e-books legally, like Project Gutenberg or Open Library.

## **Find Ge Adora Dishwasher Manual :**

### **hp 2000 notebook pc guide**

*how to wire a plug step by guide*

### **how to write an analysis paper example**

*how to restore blackberry bold to factory settings*

[hp 15c limited edition manual](#)

[how to write a thesis](#)

[how to wire control box for mercury outboard 9 9](#)

### **how to start a 4 wheeler with a screwdriver**

### **how to write a self concept paper**

[hoyle schaefer advanced accounting solutions manual](#)

[hp 2200 service manual](#)

[how to use autocad 2008 map 3d](#)

[how to reverse in manual transmission](#)

### **how to use a battery charger to jumpstart a car**



[how to turn off check engine light 2000 honda civic](#)

## **Ge Adora Dishwasher Manual :**

**amazon com customer reviews clean my space the secret to** - May 31 2022

web clean my space the secret to cleaning better faster and loving your home every day ebook maker melissa amazon in books

[clean my space the secret to cleaning better](#) - May 11 2023

web melissa maker s debut book clean my space the secret to cleaning better faster and loving your home every day is all about improving your home and more

*clean my space the secret to cleaning better faster and* - Apr 29 2022

web mar 7 2017 the wildly popular youtube star behind clean my space presents the breakthrough solution to cleaning better with less effort melissa maker is beloved by

**clean my space the secret to cleaning better faster** - Jun 12 2023

web clean my space the secret to cleaning better faster and loving your home every day ebook written by melissa maker read this book using google play books app on

**clean my space the secret to cleaning better faster and** - Jan 27 2022

**clean my space the secret to cleaning better faster and** - Mar 09 2023

web mar 7 2017 in her long awaited debut book she shares her revolutionary 3 step solution identify the most important areas mias in your home that need attention select the

**clean my space the secret to cleaning better** - Jul 13 2023

web mar 7 2017 melissa maker penguin mar 7 2017 house home 304 pages the wildly popular youtube star behind clean my space presents the breakthrough solution to

*clean my space the secret to cleaning better faster and* - Aug 02 2022

web in her long awaited debut book she shares her revolutionary 3 step solution identify the most important areas mias in your home that need attention select the proper

**clean my space the secret to cleaning better faster and** - Sep 03 2022

web find helpful customer reviews and review ratings for clean my space the secret to cleaning better faster and loving your home every day at amazon com read

*pdf epub clean my space the secret to* - Aug 14 2023

web clean my spacetakes the chore out of cleaning with melissa sincredible tips and cleaning hacks the power of pretreating her lightning fast 5 10 minute express clean routines

**clean my space the secret to cleaning better faster and** - Dec 06 2022

web mar 7 2017 the wildly popular youtube star behind clean my space presents the breakthrough solution to cleaning better with less effort melissa maker is beloved by

clean my space the secret to cleaning better faster and - Feb 08 2023

web clean my space takes the chore out of cleaning with melissa s incredible tips and cleaning hacks the power of pretreating her lightning fast 5 10 minute express clean routines

**clean my space the secret to cleaning better faster and** - Nov 05 2022

web the wildly popular youtube star behind clean my space presents the breakthrough solution to cleaning better with less effort melissa maker is beloved by fans all over the

**clean my space the secret to cleaning better faster and loving** - Jan 07 2023

web mar 7 2017 melissa maker s debut book clean my space the secret to cleaning better faster and loving your home every day is all about improving your home and

*clean my space the secret to cleaning better faster and* - Oct 04 2022

web clean my space takes the chore out of cleaning with melissa s incredible tips and cleaning hacks the power of pretreating her lightning fast 5 to 10 minute express clean

**clean my space the secret to cleaning better faster and** - Apr 10 2023

web apr 4 2023 298 pages 23 cm clean my space takes the chore out of cleaning with melissa s incredible tips and cleaning hacks the power of pretreating her lightning fast

clean my space penguin random house - Mar 29 2022

*clean my space the secret to cleaning better faster and* - Feb 25 2022

**clean my space the secret to cleaning better faster and** - Jul 01 2022

web melissa maker s debut book clean my space the secret to cleaning better faster and loving your home every day is all about improving your home and more

**awake in the heartland the ecstasy of what is paperback** - Aug 21 2022

web mar 8 2022 awake in the heartland celebrates the actuality of daily life with all its messiness complexity uncertainty paradox and apparent

*awake in the heartland the ecstasy of what is* - Apr 16 2022

web buy awake in the heartland the ecstasy of what is paperback book by joan tollifson from as low as 6 06

**awake in the heartland the ecstasy of what is** - Oct 23 2022

web awake in the heartland points to the simplicity of what is here and now nothing more and nothing less honest funny radical liberating and profound this is a nondual book like no other praise for awake in the heartland in this lovely book joan says that every moment is a kiss

awake in the heartland the ecstasy of what is - Mar 16 2022

web awake in the heartland the ecstasy of what is awake in the heartland the ecstasy of what is 2 downloaded from yearbook ladieseuropeantour com on 2021 09 28 by guest press in conjunction with the augustinian heritage institute began the project known as the works of saint augustine a translation for the 21st century the plan is to translate

**awake in the heartland the ecstasy of what is softcover** - Feb 24 2023

web abebooks com awake in the heartland the ecstasy of what is 9781553956303 by tollifson joan and a great selection of similar new used and collectible books available now at great prices awake in the heartland the ecstasy of what is tollifson joan 9781553956303 abebooks

*awake in the heartland the ecstasy of what is tollifson joan* - May 30 2023

web awake in the heartland the ecstasy of what is tollifson joan amazon com tr kitap

**awake in the heartland the ecstasy of what is stillness speaks** - Jun 18 2022

web awake in the heartland the ecstasy of what is by joan tollifson buy from amazon awake in the heartland offers clear non dual understanding not in the abstract but grounded in the actuality of daily life with all its messiness complexity uncertainty paradox and apparent imperfection

**awake in the heartland the ecstasy of what is paperback** - Jan 26 2023

web buy awake in the heartland the ecstasy of what is by tollifson joan isbn 9781739724900 from amazon s book store everyday low prices and free delivery on eligible orders

**awake in the heartland the ecstasy of what is paperback** - Mar 28 2023

web may 21 2006 awake in the heartland takes a fresh look at questions of addiction free will good and evil authority and identity it encourages the reader to look for themselves without clinging to old opinions or relying on outside authorities

awake in the heartland the ecstasy of what is abebooks - Sep 21 2022

web awake in the heartland the ecstasy of what is by tollifson joan at abebooks co uk isbn 10 1553956303 isbn 13 9781553956303 trafford publishing 2003 softcover

awake in the heartland the ecstasy of what is kindle edition - Sep 02 2023

web mar 5 2022 awake in the heartland the ecstasy of what is kindle edition by tollifson joan download it once and read it on your kindle device pc phones or tablets use features like bookmarks note taking and highlighting while reading awake in the heartland the ecstasy of what is

*awake in the heartland the ecstasy of what is joan tollifson* - Feb 12 2022

web 2149220 7303 completed mia owens and her mother have just moved to california from england to find a better life mia just wants to live easy go to school hag out with friends that was until ian marsh turned her life upside down ian marsh is rich and popular and can get what read more borrow

**awake in the heartland the ecstasy of what is abebooks** - Jul 20 2022

web feb 5 2013 free shipping isbn 9781553956303 paperback createspace independent publishing platform 2003 condition new awake in the heartland the ecstasy of what is

awake in the heartland the ecstasy of what is goodreads - Aug 01 2023

web may 31 2003 awake in the heartland the ecstasy of what is joan tollifson 4 06 47 ratings1 review awake in the heartland offers clear non dual understanding not in the abstract but grounded in the actuality of daily life with all its messiness complexity uncertainty paradox and apparent imperfection

**awake in the heartland the ecstasy of what is google books** - Apr 28 2023

web awake in the heartland takes a fresh look at questions of addiction free will good and evil authority and identity it encourages the reader to look for themselves without clinging to old

**awake in the heartland the ecstasy of what is softcover** - Dec 25 2022

web awake in the heartland the ecstasy of what is by tollifson joan isbn 10 0955176247 isbn 13 9780955176241 non duality 2006 softcover

awake in the heartland the ecstasy of what is by joan tollifson - Jun 30 2023

web awake in the heartland the ecstasy of what is by joan tollifson 2003 06 03 amazon com tr kitap

**awake in the heartland the ecstasy of what is by joan** - Nov 23 2022

web awake in the heartland the ecstasy of what is by joan tollifson 2006 trade paperback 4 0 out of 5 stars 2 product ratings

awake in the heartland the ecstasy of what is paperback - May 18 2022

web awake in the heartland the ecstasy of what is find all books from joan tollifson at find more books com you can find used antique and new books compare results and immediately purchase your selection at the best price 9781553956303 this edition from trafford publishing is an old discontinued edition

*awake in the heartland the ecstasy of what is amazon com* - Oct 03 2023

web mar 6 2022 a new edition with an updated preface and afterword for 2022 awake in the heartland offers clear non dual

understanding not in the abstract but grounded in the actuality of daily life with all its messiness complexity uncertainty paradox and

[trail of lies texas ranger justice 4 goodreads](#) - Nov 06 2022

web jan 1 2011 trail of lies by margaret daley book 4 of texas ranger justice series trail of lies book four of the texas ranger justice series loved it keep me up reading last night wish i had the others in the series daughter of texas body of evidence and face of danger like comment harlequin books 16 7k reviews 2 806 followers read

**trail of lies faith in the face of crime texas ra pdf** - Jun 01 2022

web mar 6 2023 trail of lies faith in the face of crime texas ra 1 1 downloaded from uniport edu ng on march 6 2023 by guest trail of lies faith in the face of crime texas ra this is likewise one of the factors by obtaining the soft documents of this trail of lies faith in the face of crime texas ra by online

[trail of lies faith in the face of crime texas ra ftp popcake](#) - Aug 03 2022

web 4 trail of lies faith in the face of crime texas ra 2021 09 08 may be exposed his body has been found and everyone has questions texas ranger daniel boone riley comes to find answers and stays to protect the woman and child who win his heart but the terror of melora s past isn t over her late husband s old associates want her

*trail of lies faith in the face of crime texas ra pdf free* - Jan 28 2022

web trail of lies faith in the face of crime texas ra pdf introduction trail of lies faith in the face of crime texas ra pdf free

*trail of lies faith in the face of crime texas ra download* - Mar 30 2022

web 2 trail of lies faith in the face of crime texas ra 2020 09 23 interest to students of history sociology gender and politics whose apple is it anyway big earth publishing george w bush is a liar he has lied large and small directly and by omission he has mugged the truth not merely in honest error but deliberately

[trail of lies faith in the face of crime texas ra pdf pdf](#) - Oct 05 2022

web introduction trail of lies faith in the face of crime texas ra pdf pdf blind faith joe mcginniss 1989 the bestselling author of fatal vision tells another harrowing tale of the dark side of the american dream

[trail of lies faith in the face of crime texas ra download only](#) - Apr 11 2023

web apr 2 2023 period to download any of our books similar to this one merely said the trail of lies faith in the face of crime texas ra is universally compatible once any devices to read bless me ultima rudolfo anaya 2022 03 15 a collectible hardcover 50th anniversary edition of the bestselling chicano novel of all time featuring a

**trail of lies faith in the face of crime texas ra 2022** - Apr 30 2022

web this trail of lies faith in the face of crime texas ra but stop going on in harmful downloads rather than enjoying a fine book when a cup of coffee in the afternoon instead they juggled like some harmful virus inside their computer

*trail of lies faith in the face of crime texas ra full pdf* - Sep 04 2022

web merely said the trail of lies faith in the face of crime texas ra is universally compatible with any devices to read los angeles magazine 2003 11 los angeles magazine is a regional magazine of national stature

*trail of lies faith in the face of crime barnes noble* - Jan 08 2023

web apr 16 2018 the danger deepens in the texas ranger justice series as the mother of a beautiful daughter and the wife of a wealthy entrepreneur melora hudson seemed happy no one knew about the secrets hidden behind closed doors secrets melora was

**trail of lies faith in the face of crime texas ranger justice book** - Jul 14 2023

web apr 16 2018 trail of lies faith in the face of crime texas ranger justice book 4 kindle edition by daley margaret download it once and read it on your kindle device pc phones or tablets use features like bookmarks note taking and highlighting while reading trail of lies faith in the face of crime texas ranger justice book 4

**trail of lies faith in the face of crime texas ra pdf wrbb neu** - May 12 2023

web we meet the expense of trail of lies faith in the face of crime texas ra and numerous books collections from fictions to scientific research in any way in the middle of them is this trail of lies faith in the face of crime texas ra that can be your partner trail of lies faith in the face of crime texas ra 2022 06 08 noelle mays

trail of lies faith in the face of crime texas ra pdf ol wise edu - Jul 02 2022

web this trail of lies faith in the face of crime texas ra as one of the most functioning sellers here will unquestionably be among the best options to review trail of lies faith in the face of crime texas ra downloaded from ol wise edu jo by guest

*trail of lies faith in the face of crime texas ra copy* - Dec 07 2022

web trail of lies faith in the face of crime texas ra why the face feb 15 2020 a hilarious guessing game of facial reactions created by the author of bestselling this is not a book jean jullien tickles the funnybone once again with a book of facial overreactions faces are presented

trail of lies faith in the face of crime texas ranger justice by - Mar 10 2023

web rated 4 3 5 stars trail of lies faith in the face of crime texas ranger justice is tagged as suspense christian mystery it is the 4th book in the texas ranger justice series blurb the danger deepens in the texas ranger justice series as the mother of a beautiful daughter and the wife of a wealthy entrepreneur melora hudson seemed

trail of lies faith in the face of crime texas ra ol wise edu - Feb 26 2022

web 2 trail of lies faith in the face of crime texas ra 2019 07 17 grief anger and the pain you are feeling right now then it becomes very important to understand who you truly are where you truly come from how miracles are created and why you do the things you do it is a story that touches on the human struggles of life and how to overcome

**trail of lies faith in the face of crime texas ra download** - Dec 27 2021

web trail of lies faith in the face of crime texas ra the lies of george w bush the danger trail unlocking your soul s consciousness the wizard of lies biblical truth outdoor lies devotions for the christian outdoorsman job readiness for health professionals e book the rofemtic movement trust me i m lying lies unlocking the

trail of lies faith in the face of crime texas ra pdf full pdf - Jun 13 2023

web trail of lies faith in the face of crime texas ra pdf the enigmatic realm of trail of lies faith in the face of crime texas ra pdf unleashing the language is inner magic in a fast paced digital era where connections and knowledge intertwine the enigmatic realm of language reveals its inherent magic

trail of lies faith in the face of crime texas ra book - Aug 15 2023

web trail of lies faith in the face of crime texas ra where trust lies nov 06 2020 she loves her friends and students in the west but family obligations have called her home where does she truly belong after a year of teaching in the canadian west beth thatcher returns home to her family she barely has time to

trail of lies faith in the face of crime texas ra pdf - Feb 09 2023

web trail of lies faith in the face of crime texas ra overcome feb 25 2023 at the base of every broken life every dysfunctional relationship every bad choice is a lie we believe and at the root of every lie is fear fear of not having enough fear of