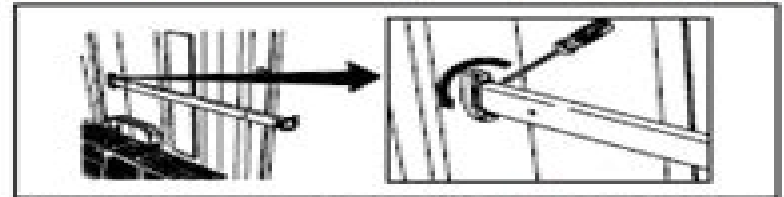


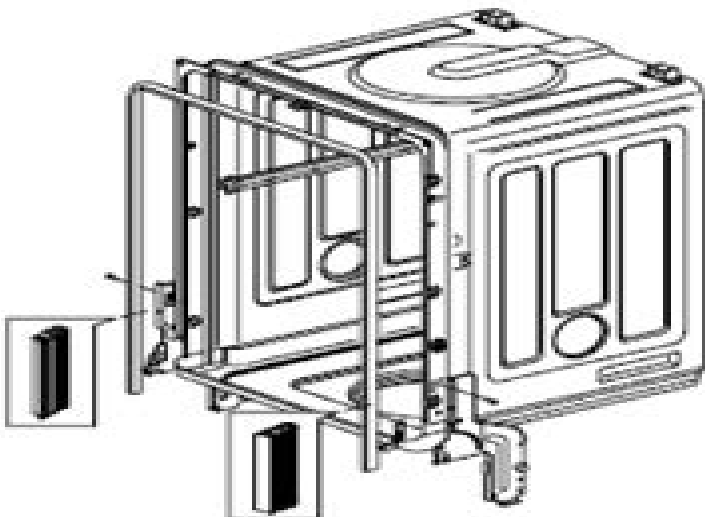
When you reassemble the Sump Assembly, be careful not to kink, tear and take off the seals.

### 13. Holder Supporter, Tub Packing and Hinge Supporter Assembly.



Rotate the screwdriver, after slide it into the gap between Stopper Roller and Rail Roller.

You must take off Stopper Roller(F117) by – screwdriver to change the Rail Assembly. (Stopper Roller could be broken while you are taking off. So you should be careful not to be hurt and have extra stopper rollers ready at servicing at all times)



# Lg Lds4821st Service Manual Repair Guide

**D Keegan**



**Lg Lds4821st Service Manual Repair Guide:**

## Decoding **Lg Lds4821st Service Manual Repair Guide**: Revealing the Captivating Potential of Verbal Expression

In a time characterized by interconnectedness and an insatiable thirst for knowledge, the captivating potential of verbal expression has emerged as a formidable force. Its capability to evoke sentiments, stimulate introspection, and incite profound transformations is genuinely awe-inspiring. Within the pages of "**Lg Lds4821st Service Manual Repair Guide**," a mesmerizing literary creation penned by a celebrated wordsmith, readers embark on an enlightening odyssey, unraveling the intricate significance of language and its enduring affect our lives. In this appraisal, we shall explore the book is central themes, evaluate its distinctive writing style, and gauge its pervasive influence on the hearts and minds of its readership.

<https://staging.conocer.cide.edu/files/virtual-library/fetch.php/manual%20for%20toyota%20pallet%20jack%20hpt25.pdf>

### **Table of Contents Lg Lds4821st Service Manual Repair Guide**

1. Understanding the eBook Lg Lds4821st Service Manual Repair Guide
  - The Rise of Digital Reading Lg Lds4821st Service Manual Repair Guide
  - Advantages of eBooks Over Traditional Books
2. Identifying Lg Lds4821st Service Manual Repair Guide
  - Exploring Different Genres
  - Considering Fiction vs. Non-Fiction
  - Determining Your Reading Goals
3. Choosing the Right eBook Platform
  - Popular eBook Platforms
  - Features to Look for in an Lg Lds4821st Service Manual Repair Guide
  - User-Friendly Interface
4. Exploring eBook Recommendations from Lg Lds4821st Service Manual Repair Guide
  - Personalized Recommendations
  - Lg Lds4821st Service Manual Repair Guide User Reviews and Ratings
  - Lg Lds4821st Service Manual Repair Guide and Bestseller Lists

5. Accessing Lg Lds4821st Service Manual Repair Guide Free and Paid eBooks
  - Lg Lds4821st Service Manual Repair Guide Public Domain eBooks
  - Lg Lds4821st Service Manual Repair Guide eBook Subscription Services
  - Lg Lds4821st Service Manual Repair Guide Budget-Friendly Options
6. Navigating Lg Lds4821st Service Manual Repair Guide eBook Formats
  - ePub, PDF, MOBI, and More
  - Lg Lds4821st Service Manual Repair Guide Compatibility with Devices
  - Lg Lds4821st Service Manual Repair Guide Enhanced eBook Features
7. Enhancing Your Reading Experience
  - Adjustable Fonts and Text Sizes of Lg Lds4821st Service Manual Repair Guide
  - Highlighting and Note-Taking Lg Lds4821st Service Manual Repair Guide
  - Interactive Elements Lg Lds4821st Service Manual Repair Guide
8. Staying Engaged with Lg Lds4821st Service Manual Repair Guide
  - Joining Online Reading Communities
  - Participating in Virtual Book Clubs
  - Following Authors and Publishers Lg Lds4821st Service Manual Repair Guide
9. Balancing eBooks and Physical Books Lg Lds4821st Service Manual Repair Guide
  - Benefits of a Digital Library
  - Creating a Diverse Reading Collection Lg Lds4821st Service Manual Repair Guide
10. Overcoming Reading Challenges
  - Dealing with Digital Eye Strain
  - Minimizing Distractions
  - Managing Screen Time
11. Cultivating a Reading Routine Lg Lds4821st Service Manual Repair Guide
  - Setting Reading Goals Lg Lds4821st Service Manual Repair Guide
  - Carving Out Dedicated Reading Time
12. Sourcing Reliable Information of Lg Lds4821st Service Manual Repair Guide
  - Fact-Checking eBook Content of Lg Lds4821st Service Manual Repair Guide
  - Distinguishing Credible Sources
13. Promoting Lifelong Learning

- Utilizing eBooks for Skill Development
  - Exploring Educational eBooks
14. Embracing eBook Trends
- Integration of Multimedia Elements
  - Interactive and Gamified eBooks

### **Lg Lds4821st Service Manual Repair Guide Introduction**

In today's digital age, the availability of Lg Lds4821st Service Manual Repair Guide books and manuals for download has revolutionized the way we access information. Gone are the days of physically flipping through pages and carrying heavy textbooks or manuals. With just a few clicks, we can now access a wealth of knowledge from the comfort of our own homes or on the go. This article will explore the advantages of Lg Lds4821st Service Manual Repair Guide books and manuals for download, along with some popular platforms that offer these resources. One of the significant advantages of Lg Lds4821st Service Manual Repair Guide books and manuals for download is the cost-saving aspect. Traditional books and manuals can be costly, especially if you need to purchase several of them for educational or professional purposes. By accessing Lg Lds4821st Service Manual Repair Guide versions, you eliminate the need to spend money on physical copies. This not only saves you money but also reduces the environmental impact associated with book production and transportation. Furthermore, Lg Lds4821st Service Manual Repair Guide books and manuals for download are incredibly convenient. With just a computer or smartphone and an internet connection, you can access a vast library of resources on any subject imaginable. Whether you're a student looking for textbooks, a professional seeking industry-specific manuals, or someone interested in self-improvement, these digital resources provide an efficient and accessible means of acquiring knowledge. Moreover, PDF books and manuals offer a range of benefits compared to other digital formats. PDF files are designed to retain their formatting regardless of the device used to open them. This ensures that the content appears exactly as intended by the author, with no loss of formatting or missing graphics. Additionally, PDF files can be easily annotated, bookmarked, and searched for specific terms, making them highly practical for studying or referencing. When it comes to accessing Lg Lds4821st Service Manual Repair Guide books and manuals, several platforms offer an extensive collection of resources. One such platform is Project Gutenberg, a nonprofit organization that provides over 60,000 free eBooks. These books are primarily in the public domain, meaning they can be freely distributed and downloaded. Project Gutenberg offers a wide range of classic literature, making it an excellent resource for literature enthusiasts. Another popular platform for Lg Lds4821st Service Manual Repair Guide books and manuals is Open Library. Open Library is an initiative of the Internet Archive, a non-profit organization dedicated to digitizing cultural artifacts and making them accessible to the public. Open

Library hosts millions of books, including both public domain works and contemporary titles. It also allows users to borrow digital copies of certain books for a limited period, similar to a library lending system. Additionally, many universities and educational institutions have their own digital libraries that provide free access to PDF books and manuals. These libraries often offer academic texts, research papers, and technical manuals, making them invaluable resources for students and researchers. Some notable examples include MIT OpenCourseWare, which offers free access to course materials from the Massachusetts Institute of Technology, and the Digital Public Library of America, which provides a vast collection of digitized books and historical documents. In conclusion, Lg Lds4821st Service Manual Repair Guide books and manuals for download have transformed the way we access information. They provide a cost-effective and convenient means of acquiring knowledge, offering the ability to access a vast library of resources at our fingertips. With platforms like Project Gutenberg, Open Library, and various digital libraries offered by educational institutions, we have access to an ever-expanding collection of books and manuals. Whether for educational, professional, or personal purposes, these digital resources serve as valuable tools for continuous learning and self-improvement. So why not take advantage of the vast world of Lg Lds4821st Service Manual Repair Guide books and manuals for download and embark on your journey of knowledge?

### **FAQs About Lg Lds4821st Service Manual Repair Guide Books**

How do I know which eBook platform is the best for me? Finding the best eBook platform depends on your reading preferences and device compatibility. Research different platforms, read user reviews, and explore their features before making a choice. Are free eBooks of good quality? Yes, many reputable platforms offer high-quality free eBooks, including classics and public domain works. However, make sure to verify the source to ensure the eBook credibility. Can I read eBooks without an eReader? Absolutely! Most eBook platforms offer web-based readers or mobile apps that allow you to read eBooks on your computer, tablet, or smartphone. How do I avoid digital eye strain while reading eBooks? To prevent digital eye strain, take regular breaks, adjust the font size and background color, and ensure proper lighting while reading eBooks. What the advantage of interactive eBooks? Interactive eBooks incorporate multimedia elements, quizzes, and activities, enhancing the reader engagement and providing a more immersive learning experience. Lg Lds4821st Service Manual Repair Guide is one of the best book in our library for free trial. We provide copy of Lg Lds4821st Service Manual Repair Guide in digital format, so the resources that you find are reliable. There are also many Ebooks of related with Lg Lds4821st Service Manual Repair Guide. Where to download Lg Lds4821st Service Manual Repair Guide online for free? Are you looking for Lg Lds4821st Service Manual Repair Guide PDF? This is definitely going to save you time and cash in something you should think about.

**Find Lg Lds4821st Service Manual Repair Guide :**

~~manual for toyota pallet jack hpt25~~

~~manual for 115 hp yamaha 4 stroke~~

~~manual instrucciones opel antara coche~~

~~manual hyster 50 xl~~

**manual hyundai in fort worth**

~~manual ford escape 2013~~

~~manual guide auto transmission peugeot 4sri~~

**manual handling chalfont st giles buckinghamshire**

~~manual hewlett packard hp compaq dc7600 convertible minitower~~

~~manual for toyota corolla models 1 3 1 4 1 6~~

~~manual h23a vtec~~

~~manual instruction taekwondo ata~~

~~manual instrucciones citroen grand c4 picasso coche~~

~~manual instrucciones kymco kxr 250~~

~~manual hardness vicker shimadzu~~

**Lg Lds4821st Service Manual Repair Guide :**

**oxford textbook of critical care oxford academic** - Oct 30 2022

web apr 1 2016 each section has been subdivided into short topics grouped according to clinical problems facilitating manageable and relevant searches in electronic media it is

*oxford handbook of critical care nursing oxford* - Feb 02 2023

web oct 25 2009 the oxford handbook of critical care nursing has been written as a handy reference guide for nurses who are new to the critical care area as well as a

**oxford handbook of critical care nursing request pdf** - Jun 25 2022

web feb 1 2016 reflecting current best practice the oxford handbook of critical care nursing second edition is a practical concise easily accessible and evidence based

**oxford specialist handbooks in critical care** - May 25 2022

web nov 7 2011 cardiothoracic critical care 85 00 robyn smith michael higgins and alistair macfie 9780199692958



paperback 13 may 2014 oxford specialist

*oxford handbook of critical care nursing oxford handbooks in* - Sep 28 2022

web aug 27 2009 the oxford handbook of critical care nursing has been written as a handy reference guide for nurses who are new to the critical care area as well as a

*oxford handbook of critical care mervyn singer andrew webb* - Apr 04 2023

web mar 26 2009 oxford handbook of critical care mervyn singer andrew webb oup oxford mar 26 2009 medical 704 pages the fully revised third edition of this

oxford handbook of critical care nursing adam sheila k free - Jul 27 2022

web oxford handbook of critical care nursing by adam sheila k publication date 2009 topics intensive care nursing publisher oxford new york oxford university press

**index oxford handbook of critical care nursing oxford academic** - May 05 2023

web index oxford handbook of critical care nursing oxford academic indexaa a gradientabc mental health assessmentabc mental health

**oxford handbook of critical care oxford academic** - Jan 21 2022

web abstract patient centred and practical the oxford handbook of critical care serves the consultant trainee nurse and other allied health professionals as both a reference and

*oxford handbook of critical care nursing google books* - Aug 08 2023

web jan 28 2016 oxford handbook of critical care nursing fiona creed jessica hargreaves oxford university press jan 28 2016 medical 560 pages 0 reviews

**oxford handbook of critical care nursing 2nd edition free** - Mar 23 2022

web jan 15 2020 reflecting current best practice the oxford handbook of critical care nursing second edition is a practical concise easily accessible and evidence based

**oxford handbook of critical care nursing google books** - Jul 07 2023

web jan 28 2016 oxford handbook of critical care nursing fiona creed jessica hargreaves oxford university press jan 28 2016 medical 560 pages 0 reviews

oxford handbook of critical care nursing oxford ha 2023 - Apr 23 2022

web oxford handbook of critical care nursing oxford ha critical care medicine feb 12 2020 ideally suited for students in critical care rotations and residents this concise

oxford handbook of critical care nursing oxford university press - Mar 03 2023

web feb 9 2016 reviews focused on the practical issues of nursing care and nursing procedures the oxford handbook of

critical care nursing has been written by

*oxford handbook of critical care nursing google books* - Jun 06 2023

web the book sets the context for nursing within a continuum of critical care starting from early recognition of acute deterioration and the need for critical care outreach through to

oxford handbook of critical care nursing oxford academic - Feb 19 2022

web the oxford handbook of critical care nursing provides nurses working in critical care with an easily accessible guide to the knowledge and nursing care skills needed in

oxford handbook of critical care nursing 2 e oxford handbooks - Nov 30 2022

web buy oxford handbook of critical care nursing 2 e oxford handbooks in nursing 2 by creed fiona hargreaves jessica baid heather isbn 9780198701071 from

**oxford handbook of primary care and community nursing** - Nov 18 2021

web abstract this resource is the essential guide to caring for patients in primary care and the community and covers the skills and knowledge required by any nurse working in

**oxford handbook of critical care nursing oxford academic** - Oct 10 2023

web reflecting current best practice the oxford handbook of critical care nursing second edition is a practical concise easily accessible and evidence based guide for all levels

*oxford handbook of critical care nursing open library* - Aug 28 2022

web dec 5 2022 imported from better world books record oxford handbook of critical care nursing by heather baid fiona creed jessica hargreaves 2016 oxford

**oxford handbook of critical care nursing oxford handbooks in** - Jan 01 2023

web apr 18 2016 oxford handbook of critical care nursing oxford handbooks in nursing 2nd edition by fiona creed author jessica hargreaves author heather

**oxford handbook of adult nursing oxford academic** - Dec 20 2021

web the second edition of the oxford handbook of adult nursing addresses the philosophy principles and practice of general adult nursing and the ways in which general adult

**oxford handbook of critical care nursing google books** - Sep 09 2023

web reflecting current best practice the oxford handbook of critical care nursing is an easily accessible and evidence based guide for all levels of nursing staff working in critical

**sauerkrautkoma der fünfte fall für den eberhofer ein** - Aug 02 2022

web sauerkrautkoma der fünfte fall für den eberhofer ein provinzkrimi falk rita amazon com au books

*sauerkrautkoma der fünfte fall für den eberhofer amazon com* - May 11 2023

web oct 1 2013 buy sauerkrautkoma der fünfte fall für den eberhofer ein provinzkrimi franz eberhofer 5 german edition read kindle store reviews amazon com

**sauerkrautkoma der fünfte fall für den eberhofer ein** - Sep 03 2022

web sauerkrautkoma der fünfte fall für den eberhofer ein provinzkrimi franz eberhofer 5 german edition ebook falk rita amazon com au kindle store

**eberhofer serie teil fünf sauerkrautkoma im ersten** - Nov 05 2022

web aug 19 2019 die ard füllt ihre sommerpause mit sauerkrautkoma und das ist ein glück in der fünften verfilmung der provinzkrimi reihe von rita falk löst der eberhofer

sauerkrautkoma der funfte fall fur den eberhofer - Dec 26 2021

web sauerkrautkoma der funfte fall fur den eberhofer recognizing the exaggeration ways to acquire this book

sauerkrautkoma der funfte fall fur den eberhofer is additionally

sauerkrautkoma der fünfte fall für den eberhofer amazon co uk - Mar 09 2023

web sauerkrautkoma der fünfte fall für den eberhofer ein provinzkrimi falk rita amazon co uk books

sauerkrautkoma der fünfte fall für den eberhofer amazon com - Jul 01 2022

web oct 1 2013 buy sauerkrautkoma der fünfte fall für den eberhofer ein provinzkrimi franz eberhofer 5 german edition read kindle store reviews amazon com

sauerkrautkoma der fünfte fall für den eberhofer ein - May 31 2022

web sauerkrautkoma der fünfte fall für den eberhofer ein provinzkrimi falk rita amazon com au books

*sauerkrautkoma der fünfte fall für den eberhofer ein* - Apr 29 2022

web sauerkrautkoma der fünfte fall für den eberhofer ein provinzkrimi by falk rita isbn 10 3423249870 isbn 13 9783423249874 dtv verlagsgesellschaft 2013 softcover

**sauerkrautkoma der fünfte fall für den eberhofer ein provinzkrimi** - Jun 12 2023

web dec 1 2014 sauerkrautkoma geschrieben von der autorin rita falk ist der fünfte band ihrer erfolgsreihe um franz eberhofer da der vierte band greissnockerlaffäre

**9783423215619 sauerkrautkoma der fünfte fall für den** - Mar 29 2022

web abebooks com sauerkrautkoma der fünfte fall für den eberhofer ein provinzkrimi 9783423215619 by falk rita and a great selection of similar new used and collectible

*sauerkrautkoma der fünfte fall für den eberhofer amazon de* - Apr 10 2023

web der neue provinzkrimi von spiegel bestsellerautorin rita falk weil sich der eberhofer in niederkaltenkirchen bei der

verbrechensbekämpfung so verdient gemacht hat wird er in die

sauerkrautkoma der eberhofer hat wieder allerlei probleme - Nov 24 2021

web mar 19 2018 im sommer kommt der eberhofer franz mit sauerkrautkoma zurück ins kino der grantige dorfpolizist muss diesmal ins ungeliebte münchen

*sauerkrautkoma der fünfte fall für den eberhofer amazon co uk* - Dec 06 2022

web buy sauerkrautkoma der fünfte fall für den eberhofer ein provinzkrimi by falk rita isbn 9783423217989 from amazon s book store everyday low prices and free

download sauerkrautkoma der fünfte fall für den eberhofer - Oct 24 2021

web present are many materials in the activity that will promote our skills one of them is the directory titled sauerkrautkoma der fünfte fall für den eberhofer ein provinzkrimi

*sauerkrautkoma der fünfte fall für den eberhofer ein* - Aug 14 2023

web sauerkrautkoma der fünfte fall für den eberhofer ein provinzkrimi franz eberhofer band 5 falk rita amazon com tr kitap

*sauerkrautkoma der fünfte fall für franz eberhofer* - Oct 04 2022

web der fünfte fall für den eberhofer in der jubiläums edition weil sich der eberhofer in niederkaltenkirchen bei der verbrechensbekämpfung so verdient gemacht hat wird er in

*sauerkrautkoma der fünfte fall für den eberhofer amazon co uk* - Feb 08 2023

web sauerkrautkoma der fünfte fall für den eberhofer ein provinzkrimi falk rita amazon co uk books

sauerkrautkoma der funfte fall fur den eberhofer ein provinzkrimi - Jan 27 2022

web buy sauerkrautkoma der funfte fall fur den eberhofer ein provinzkrimi others book by glen s d from as low as 9 67

*sauerkrautkoma der fünfte fall für den eberhofer amazon de* - Jan 07 2023

web sauerkrautkoma der fünfte fall für den eberhofer ein provinzkrimi franz eberhofer band 5 falk rita amazon de books

**sauerkrautkoma was liest du** - Feb 25 2022

web franz eberhofer muss wieder nach münchen sauerkrautkoma ist der fünfte teil der bayerischen provinzkrimireihe um den etwas kauzigen dorfpolizisten franz eberhofer

*sauerkrautkoma der fünfte fall für den eberhofer ein* - Sep 22 2021

web sauerkrautkoma der fünfte fall für den eberhofer ein provinzkrimi on amazon com free shipping on qualifying offers sauerkrautkoma der fünfte fall für den

sauerkrautkoma ein provinzkrimi der fünfte fall für den - Jul 13 2023

web sauerkrautkoma ein provinzkrimi der fünfte fall für den eberhofer ein provinzkrimi falk rita amazon com tr kitap

ugly stepsister the unfinished fairy tales abebooks - Nov 10 2022

web the ugly stepsister unfinished fairy tales book 1 english edition ebook ling aya amazon de kindle store  
[9781511956727 the ugly stepsister unfinished fairy tales](#) - Aug 07 2022

web discover and share books you love on goodreads  
[the ugly stepsister 1 unfinished fairy tales amazon in](#) - Feb 13 2023

web find helpful customer reviews and review ratings for the ugly stepsister unfinished fairy tales book 1 at amazon com  
read honest and unbiased product reviews from  
**loading interface goodreads** - Jul 06 2022

web the ugly stepsister unfinished fairy tales band 1 1 the ugly stepsister unfinished fairy tales band 1 brass carriages and  
glass hearts power sworn stepsister queen  
**unfinished fairy tales series by aya ling goodreads** - Sep 20 2023

web the ugly stepsister by aya ling 4 01 3 140 ratings 522 reviews published 2015 12 editions an alternative cover edition of  
this asin can be f want to read rate it book  
[the ugly stepsister unfinished fairy tales book 1 kindle edition](#) - Feb 01 2022

web find helpful customer reviews and review ratings for the ugly stepsister unfinished fairy tales at amazon com read  
honest and unbiased product reviews from our users  
**the ugly stepsister unfinished fairy tales book 1** - Mar 14 2023

web the ugly stepsister 1 unfinished fairy tales ling aya christian luci amazon in books  
**the ugly stepsister unfinished fairy tales band 1** - Jun 05 2022

web creates a captivating fairy tale for the modern world with lost maguire who re imagined a darker more dangerous oz and  
inspired the creation of the tony award winning  
**the ugly stepsister unfinished fairy tales book 1** - Jan 12 2023

web when kat accidentally rips apart an old childhood picturebook she s magically transported into the world of cinderella as  
katriona one of the ugly stepsisters to get back she ll  
[the ugly stepsister 1 unfinished fairy tales paperback](#) - Jun 17 2023

web jun 10 2015 modern day kat is shy and bookish until an earth shattering event forces her to come out of her shell  
cursed to remain in the world of cinderella the only way back  
**the ugly stepsister unfinished fairy tales amazon com** - Mar 02 2022

web the ugly stepsister unfinished fairy tales book 1 ebook ling aya amazon in kindle store  
*the ugly stepsister unfinished fairy tales book 1* - Apr 03 2022

web jun 11 2015 the unfinished fairy tales series the ugly stepsister book 1 princess of athelia companion novella twice

upon a time book 2 coming in late

**the ugly stepsister unfinished fairy tales book 1 english** - Oct 09 2022

web find helpful customer reviews and review ratings for the ugly stepsister unfinished fairy tales book 1 at amazon com

read honest and unbiased product reviews from

**the ugly stepsister unfinished fairy tales book 1** - May 16 2023

web the ugly stepsister unfinished fairy tales book 1 ebook ling aya amazon com au books

amazon com customer reviews the ugly stepsister unfinished - Dec 31 2021

*the ugly stepsister unfinished fairy tales band 1 pdf* - May 04 2022

web embark on a mesmerizing journey filled with enchantment romance and unforeseen alliances as kat navigates the

perilous fairy tale realm where her own happy ending

the ugly stepsister unfinished fairy tales band 1 ling aya - Aug 19 2023

web the ugly stepsister unfinished fairy tales band 1 ling aya amazon com tr kitap

**unfinished fairy tales audiobooks audible com** - Dec 11 2022

web the unfinished fairy tales series the ugly stepsister book 1 princess of athelia companion novella twice upon a time book 2 coming in late 2016 ever after book

the ugly stepsister unfinished fairy tales book 1 kindle edition - Apr 15 2023

web jun 10 2015 the ugly stepsister unfinished fairy tales book 1 kindle edition by aya ling author format kindle edition 4 4 4 4 out of 5 stars 547 ratings

**amazon co uk customer reviews the ugly stepsister** - Sep 08 2022

web abebooks com the ugly stepsister unfinished fairy tales 9781511956727 by ling aya and a great selection of similar new used and collectible books available now at

**the ugly stepsister unfinished fairy tales 1** - Jul 18 2023

web the ugly stepsister provides a narrative full of romantic entertainment amusement and historical context although purely fiction it makes the reader appreciate the lives and