

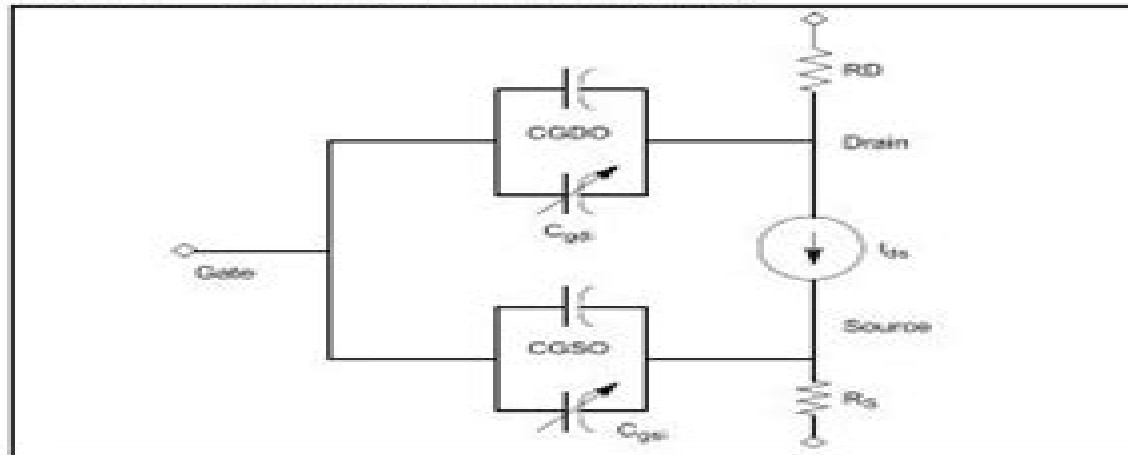
Cgd, Cgs

$$C_{gd} = C_{gdl} + CGDO \quad C_{gs} = C_{gs1} + CGSO$$

LEVEL 40 Model Topology

Figure 34 shows the topology of the LEVEL 40 model.

Figure 34 LEVEL 40 HP a-Si TFT Topology



References

- [1] Vladimirescu, Andrei and Liu, Sally. "Simulation of MOS Integrated Circuits Using SPICE2." University of California at Berkeley: Memorandum No. UCB/ERL M80/7, February 1980.
- [2] Huang, J.S., and Taylor, G.W. "Modeling of an Ion-Implanted Silicon Gate Depletion-Mode IGFET." *IEEE Trans. Elec. Dev.*, Vol. ED-22, pp. 995-1000, Nov. 1975.
- [3] Frohman-Bentchkowski, D. and Grove, A. S. "On the Effect of Mobility Variation on MOS Device Characteristics." *Proc. IEEE*, 56, 1968.

Hspice Mosfet Models Manual Texas Am University

Minjie Lin



Hspice Mosfet Models Manual Texas Am University:

MOSFET Models for SPICE Simulation William Liu, 2001-02-21 An expert guide to understanding and making optimum use of BSIM Used by more chip designers worldwide than any other comparable model the Berkeley Short Channel IGFET Model BSIM has over the past few years established itself as the de facto standard MOSFET SPICE model for circuit simulation and CMOS technology development Yet until now there have been no independent expert guides or tutorials to supplement the various BSIM manuals currently available Written by a noted expert in the field this book fills that gap in the literature by providing a comprehensive guide to understanding and making optimal use of BSIM3 and BSIM4 Drawing upon his extensive experience designing with BSIM William Liu provides a brief history of the model discusses the various advantages of BSIM over other models and explores the reasons why BSIM3 has been adopted by the majority of circuit manufacturers He then provides engineers with the detailed practical information and guidance they need to master all of BSIM's features He Summarizes key BSIM3 components Represents the BSIM3 model with equivalent circuits for various operating conditions Provides a comprehensive glossary of modeling terminology Lists alphabetically BSIM3 parameters along with their meanings and relevant equations Explores BSIM3's flaws and provides improvement suggestions Describes all of BSIM4's improvements and new features Provides useful SPICE files which are available online at the Wiley ftp site

Nanoelectronic Mixed-Signal System Design Saraju Mohanty, 2015-02-20 Covering both the classical and emerging nanoelectronic technologies being used in mixed signal design this book addresses digital analog and memory components Winner of the Association of American Publishers 2016 PROSE Award in the Textbook Physical Sciences Mathematics category Nanoelectronic Mixed Signal System Design offers professionals and students a unified perspective on the science engineering and technology behind nanoelectronics system design Written by the director of the NanoSystem Design Laboratory at the University of North Texas this comprehensive guide provides a large scale picture of the design and manufacturing aspects of nanoelectronic based systems It features dual coverage of mixed signal circuit and system design rather than just digital or analog only Key topics such as process variations power dissipation and security aspects of electronic system design are discussed Top down analysis of all stages from design to manufacturing Coverage of current and developing nanoelectronic technologies not just nano CMOS Describes the basics of nanoelectronic technology and the structure of popular electronic systems Reveals the techniques required for design excellence and manufacturability

Amateur Radio ,1994 **CQ** ,1994 **MOSFET Modeling with SPICE** Daniel Foty, 1997 This book will help CMOS circuit designers make the best possible use of SPICE models and will prepare them for new models that may soon be introduced Introduces SPICE modeling and its use in CMOS circuit design Presents the formalism of model building and the semiconductor physics of MOS structures Covers each important SPICE model showing how to choose the appropriate model Discusses the popular HSPICE Level 28 as well as Levels 1 3 BSIM 1 3 and MOS Model 9 Presents techniques for accounting

for systematic process variations Describes new model candidates including the Power Lane Model the PCIM Model and the EKV Model Includes extensive examples throughout Practicing engineers and scientists in the semiconductor industry engineering faculty and students

Hspice Mosfet Models Manual Texas Am University Book Review: Unveiling the Magic of Language

In an electronic digital era where connections and knowledge reign supreme, the enchanting power of language has become more apparent than ever. Its power to stir emotions, provoke thought, and instigate transformation is truly remarkable. This extraordinary book, aptly titled "**Hspice Mosfet Models Manual Texas Am University**," compiled by a very acclaimed author, immerses readers in a captivating exploration of the significance of language and its profound effect on our existence. Throughout this critique, we will delve in to the book is central themes, evaluate its unique writing style, and assess its overall influence on its readership.

<https://staging.conocer.cide.edu/public/scholarship/Documents/Exploring%20The%20Epistle%20Of%20Jude%20An%20Expository%20Commentary.pdf>

Table of Contents Hspice Mosfet Models Manual Texas Am University

1. Understanding the eBook Hspice Mosfet Models Manual Texas Am University
 - The Rise of Digital Reading Hspice Mosfet Models Manual Texas Am University
 - Advantages of eBooks Over Traditional Books
2. Identifying Hspice Mosfet Models Manual Texas Am University
 - Exploring Different Genres
 - Considering Fiction vs. Non-Fiction
 - Determining Your Reading Goals
3. Choosing the Right eBook Platform
 - Popular eBook Platforms
 - Features to Look for in an Hspice Mosfet Models Manual Texas Am University
 - User-Friendly Interface
4. Exploring eBook Recommendations from Hspice Mosfet Models Manual Texas Am University
 - Personalized Recommendations
 - Hspice Mosfet Models Manual Texas Am University User Reviews and Ratings

- Hspice Mosfet Models Manual Texas Am University and Bestseller Lists
- 5. Accessing Hspice Mosfet Models Manual Texas Am University Free and Paid eBooks
 - Hspice Mosfet Models Manual Texas Am University Public Domain eBooks
 - Hspice Mosfet Models Manual Texas Am University eBook Subscription Services
 - Hspice Mosfet Models Manual Texas Am University Budget-Friendly Options
- 6. Navigating Hspice Mosfet Models Manual Texas Am University eBook Formats
 - ePub, PDF, MOBI, and More
 - Hspice Mosfet Models Manual Texas Am University Compatibility with Devices
 - Hspice Mosfet Models Manual Texas Am University Enhanced eBook Features
- 7. Enhancing Your Reading Experience
 - Adjustable Fonts and Text Sizes of Hspice Mosfet Models Manual Texas Am University
 - Highlighting and Note-Taking Hspice Mosfet Models Manual Texas Am University
 - Interactive Elements Hspice Mosfet Models Manual Texas Am University
- 8. Staying Engaged with Hspice Mosfet Models Manual Texas Am University
 - Joining Online Reading Communities
 - Participating in Virtual Book Clubs
 - Following Authors and Publishers Hspice Mosfet Models Manual Texas Am University
- 9. Balancing eBooks and Physical Books Hspice Mosfet Models Manual Texas Am University
 - Benefits of a Digital Library
 - Creating a Diverse Reading Collection Hspice Mosfet Models Manual Texas Am University
- 10. Overcoming Reading Challenges
 - Dealing with Digital Eye Strain
 - Minimizing Distractions
 - Managing Screen Time
- 11. Cultivating a Reading Routine Hspice Mosfet Models Manual Texas Am University
 - Setting Reading Goals Hspice Mosfet Models Manual Texas Am University
 - Carving Out Dedicated Reading Time
- 12. Sourcing Reliable Information of Hspice Mosfet Models Manual Texas Am University
 - Fact-Checking eBook Content of Hspice Mosfet Models Manual Texas Am University
 - Distinguishing Credible Sources

13. Promoting Lifelong Learning
 - Utilizing eBooks for Skill Development
 - Exploring Educational eBooks
14. Embracing eBook Trends
 - Integration of Multimedia Elements
 - Interactive and Gamified eBooks

Hspice Mosfet Models Manual Texas Am University Introduction

Hspice Mosfet Models Manual Texas Am University Offers over 60,000 free eBooks, including many classics that are in the public domain. Open Library: Provides access to over 1 million free eBooks, including classic literature and contemporary works. Hspice Mosfet Models Manual Texas Am University Offers a vast collection of books, some of which are available for free as PDF downloads, particularly older books in the public domain. Hspice Mosfet Models Manual Texas Am University : This website hosts a vast collection of scientific articles, books, and textbooks. While it operates in a legal gray area due to copyright issues, its a popular resource for finding various publications. Internet Archive for Hspice Mosfet Models Manual Texas Am University : Has an extensive collection of digital content, including books, articles, videos, and more. It has a massive library of free downloadable books. Free-eBooks Hspice Mosfet Models Manual Texas Am University Offers a diverse range of free eBooks across various genres. Hspice Mosfet Models Manual Texas Am University Focuses mainly on educational books, textbooks, and business books. It offers free PDF downloads for educational purposes. Hspice Mosfet Models Manual Texas Am University Provides a large selection of free eBooks in different genres, which are available for download in various formats, including PDF. Finding specific Hspice Mosfet Models Manual Texas Am University, especially related to Hspice Mosfet Models Manual Texas Am University, might be challenging as theyre often artistic creations rather than practical blueprints. However, you can explore the following steps to search for or create your own Online Searches: Look for websites, forums, or blogs dedicated to Hspice Mosfet Models Manual Texas Am University, Sometimes enthusiasts share their designs or concepts in PDF format. Books and Magazines Some Hspice Mosfet Models Manual Texas Am University books or magazines might include. Look for these in online stores or libraries. Remember that while Hspice Mosfet Models Manual Texas Am University, sharing copyrighted material without permission is not legal. Always ensure youre either creating your own or obtaining them from legitimate sources that allow sharing and downloading. Library Check if your local library offers eBook lending services. Many libraries have digital catalogs where you can borrow Hspice Mosfet Models Manual Texas Am University eBooks for free, including popular titles. Online Retailers: Websites like Amazon, Google Books, or Apple Books often sell eBooks. Sometimes, authors or publishers offer promotions or free periods for certain

books. Authors Website Occasionally, authors provide excerpts or short stories for free on their websites. While this might not be the Hspice Mosfet Models Manual Texas Am University full book, it can give you a taste of the authors writing style. Subscription Services Platforms like Kindle Unlimited or Scribd offer subscription-based access to a wide range of Hspice Mosfet Models Manual Texas Am University eBooks, including some popular titles.

FAQs About Hspice Mosfet Models Manual Texas Am University Books

1. Where can I buy Hspice Mosfet Models Manual Texas Am University books? Bookstores: Physical bookstores like Barnes & Noble, Waterstones, and independent local stores. Online Retailers: Amazon, Book Depository, and various online bookstores offer a wide range of books in physical and digital formats.
2. What are the different book formats available? Hardcover: Sturdy and durable, usually more expensive. Paperback: Cheaper, lighter, and more portable than hardcovers. E-books: Digital books available for e-readers like Kindle or software like Apple Books, Kindle, and Google Play Books.
3. How do I choose a Hspice Mosfet Models Manual Texas Am University book to read? Genres: Consider the genre you enjoy (fiction, non-fiction, mystery, sci-fi, etc.). Recommendations: Ask friends, join book clubs, or explore online reviews and recommendations. Author: If you like a particular author, you might enjoy more of their work.
4. How do I take care of Hspice Mosfet Models Manual Texas Am University books? Storage: Keep them away from direct sunlight and in a dry environment. Handling: Avoid folding pages, use bookmarks, and handle them with clean hands. Cleaning: Gently dust the covers and pages occasionally.
5. Can I borrow books without buying them? Public Libraries: Local libraries offer a wide range of books for borrowing. Book Swaps: Community book exchanges or online platforms where people exchange books.
6. How can I track my reading progress or manage my book collection? Book Tracking Apps: Goodreads, LibraryThing, and Book Catalogue are popular apps for tracking your reading progress and managing book collections. Spreadsheets: You can create your own spreadsheet to track books read, ratings, and other details.
7. What are Hspice Mosfet Models Manual Texas Am University audiobooks, and where can I find them? Audiobooks: Audio recordings of books, perfect for listening while commuting or multitasking. Platforms: Audible, LibriVox, and Google Play Books offer a wide selection of audiobooks.
8. How do I support authors or the book industry? Buy Books: Purchase books from authors or independent bookstores. Reviews: Leave reviews on platforms like Goodreads or Amazon. Promotion: Share your favorite books on social media

or recommend them to friends.

9. Are there book clubs or reading communities I can join? Local Clubs: Check for local book clubs in libraries or community centers. Online Communities: Platforms like Goodreads have virtual book clubs and discussion groups.
10. Can I read Hspice Mosfet Models Manual Texas Am University books for free? Public Domain Books: Many classic books are available for free as they're in the public domain. Free E-books: Some websites offer free e-books legally, like Project Gutenberg or Open Library.

Find Hspice Mosfet Models Manual Texas Am University :

exploring the epistle of jude an expository commentary

exploring spoken english

exploring child development transactions and transformations

exploration for uranium ore deposits

experimentos sencillos con solidos y liquidosgiant of science experiments solids and liquids

expert applications within the nuclear industry

explorations in group work

exploring ibm as400 computers the instant insiders guide to ibms premier midrange computer

explorations in theology

exploring spanish

exploring pacific coast tide pools

expert systems for business

expert weapon

exploring music instrumental accompaniments b flat instruments clarinets; trumpets

exploring new horizons in spelling paperback by

Hspice Mosfet Models Manual Texas Am University :

300 kostenlose deutsche bahn und eisenbahn bilder pixabay - Mar 30 2022

web 300 kostenlose bilder zum thema deutsche bahn kostenlose bilder 1 100 von 300 bilder nächste seite 3 eisenbahn zug bahn schienenverkehr

eisenbahn bildbände bücher verlagsgruppe bahn - Jul 14 2023

web neu eisenbahnen im oberland von holzkirchen nach 24 99 krokodil und eisenschwein ausgabe 4 2023 ab 11 99 farbfoto raritäten von carl bellingrodt

9783956130205 bildband eisenbahn deutschlands - Apr 11 2023

web bildband eisenbahn deutschlands eisenbahnen loks wagen strecken und landschaften im norden osten süden westen faszinierende bahnlandschaft

bildband eisenbahn deutschlands eisenbahnen loks wagen - May 12 2023

web bildband eisenbahn book read reviews from world s largest community for readers bildergenuss vom feinsten die bahnreform hat die deutsche bahnlandschaft

bildband eisenbahn deutschlands eisenbahnen loks wagen - Nov 25 2021

web de bhdonat eisenbahn d a ch bildband eisenbahn deutschlands eisenbahnen loks wagen miethe deutschlands eisenbahnen strecken züge landschaften bildband

amazon de bildbände eisenbahn bücher - Jun 13 2023

web die altbau elloks der Öbb bildband und foto dokumentation über die vorkriegs und frühen nachkriegs lokomotiven in Österreich inklusive zahlreicher fotografien und

eisenbahn im bild züge loks und strecken - Apr 30 2022

web eisenbahnbilder und mehr bilder 1282 e lok bilder online 966 diesellok bilder online 242 dampflokbilder online im aufbau 420 triebwagen bilder online im aufbau links

bildbandeisenbahndeutschlandseisenbahnenloks download - Aug 03 2022

web der nationale gedanke und die eisenbahnen 101 dinge die ein eisenbahnliebhaber wissen muss eisenbahneralltag heute deutsche nationalbibliographie und bibliographie

eisenbahn im bild bilder - Dec 27 2021

web eisenbahnbilder und informationen rund um die bahn fotogalerien veranstaltungshinweise fototipps stories und nützliche links für den eisenbahnfreund

9783956130205 bildband eisenbahn deutschlands - Sep 04 2022

web bildband eisenbahn deutschlands eisenbahnen loks wagen strecken und landschaften im norden osten süden westen faszinierende bahnlandschaft

bildband eisenbahn deutschlands eisenbahnen loks wagen - Mar 10 2023

web bildband eisenbahn deutschlands eisenbahnen loks wagen may 25th 2020 bildband eisenbahn deutschlands eisenbahnen loks wagen strecken und landschaften im

bildband eisenbahn deutschlands eisenbahnen loks wagen - Sep 23 2021

[web bildband eisenbahn deutschlands eisenbahnen loks wagen may 27th 2020 bei rebuy bildband eisenbahn deutschlands eisenbahnen loks wagen strecken und](#)

[geschichte der eisenbahn in deutschland wikipedia](#) - Jul 02 2022

[web wesentliche anstöße für die eisenbahn in deutschland gaben die entwicklung der ersten betriebstauglichen lokomotiven in england richard trevithick 1804 john blenkinsop](#)

[bildband eisenbahn deutschlands eisenbahnen loks wagen](#) - Feb 26 2022

[web bildband eisenbahn deutschlands eisenbahnen loks wagen strecken und landschaften im norden osten süden westen faszinierende eisenbahnfotografie](#)

[lost trains eisenbahn bildbände bücher verlagsgruppe bahn](#) - Feb 09 2023

[web may 18 2022 die eisenbahn hat eine große vergangenheit die zum träumen einlädt angeregt durch aufregende aufnahmen von verlassenenen bahnhöfen oder rostigen loks](#)

[bildband eisenbahn deutschlands eisenbahnen loks](#) - Jun 01 2022

[web numerous ebook collections from fictions to scientific research in any way along with them is this bildband eisenbahn deutschlands eisenbahnen loks that can be your partner](#)

[bildband eisenbahn deutschlands eisenbahnen loks wagen](#) - Jan 08 2023

[web ursula banz bildband eisenbahn deutschlands eisenbahnen loks wagen train24 de deutschlands eisenbahnen miethe uwe dampflokomotiven der deutschen reichsbahn](#)

[bildband eisenbahn deutschlands eisenbahnen loks wagen](#) - Dec 07 2022

[web oct 14 2015 der vorliegende bildband präsentiert diese bunte und vielfältige eisenbahnlandschaft mit aufnahmen namhafter fotografen kommen sie mit auf eine](#)

[bildband eisenbahn deutschlands eisenbahnen loks wagen](#) - Oct 25 2021

[web bildband eisenbahn deutschlands eisenbahnen loks wagen strecken und landschaften im norden osten süden westen faszinierende eisenbahnfotografie](#)

[bildband eisenbahn deutschlands eisenbahnen loks](#) - Nov 06 2022

[web bildband eisenbahn deutschlands eisenbahnen faszinierende eisenbahnfotografie eisenbahn deutschland d occasion très bon 145187916909 loks w livre état](#)

[lokomotiven bildband zva](#) - Oct 05 2022

[web bildband eisenbahn deutsche reichsbahn lokomotiven wagen strecken und landschaften in der ehemaligen ddr faszinierende dampflok fotografie eisenbahn](#)

[10 000 kostenlose eisenbahn und zug bilder pixabay](#) - Jan 28 2022

web 10 651 kostenlose bilder zum thema eisenbahn kostenlose bilder eisenbahn landschaft eisenbahn atur felsen zug
eisenbahn transport zug nbnatur lokomotive vater und sohn

bildband eisenbahn deutschlands eisenbahnen loks wagen - Aug 15 2023

web der vorliegende bildband präsentiert diese bunte und vielfältige eisenbahnlandschaft mit aufnahmen namhafter
fotografen kommen sie mit auf eine zugfahrt von bayern bis

loading interface goodreads - Oct 09 2022

web discover and share books you love on goodreads

nur wer loslässt kann auch fliegen buddhistische - Aug 07 2022

web oct 23 2018 nur wer loslässt kann auch fliegen buddhistische lebensweisheit um schwierigkeiten gelassen zu m buch
download komplett zusammenfassung deutch ebook

nur wer loslasst kann auch fliegen buddhistische book - Feb 13 2023

web nur wer loslasst kann auch fliegen buddhistische wenn eisenvögel fliegen feb 04 2023 nur wer loslässt kann auch fliegen
aug 10 2023 wenn eisenvögel fliegen

nur wer loslässt kann auch fliegen buddhistische - May 16 2023

web nur wer loslässt kann auch fliegen buddhistische lebensweisheit um schwierigkeiten gelassen zu meistern ebook brahm
ajahn guojun master weingart karin

nur wer loslässt kann auch fliegen buddhistische - Sep 08 2022

web nur wer loslässt kann auch fliegen von ajahn brahm may 21st 2020 ob schlafmangel froschsuppe oder schmutzkampagne
auch buddhistische mönche haben es nicht

amazon com nur wer loslässt kann auch fliegen - Nov 29 2021

web sep 23 2019 buy nur wer loslässt kann auch fliegen buddhistische lebensweisheit um schwierigkeiten gelassen zu
meistern german edition read kindle store reviews

nur wer loslässt kann auch fliegen buddhistische overdrive - Apr 15 2023

web sep 23 2019 das ist zunächst gar nicht so verschieden von unserem denn selbst der ausgeglichenste buddhistische
mönchs wird von niederschmetternden ereignissen und

nur wer loslasst kann auch fliegen buddhistische copy - Apr 03 2022

web we pay for nur wer loslasst kann auch fliegen buddhistische and numerous books collections from fictions to scientific
research in any way in the midst of them is this

amazon de kundenrezensionen nur wer loslässt kann auch - Jan 12 2023

web finde hilfreiche kundenrezensionen und rezensionsbewertungen für nur wer loslässt kann auch fliegen buddhistische

lebensweisheit um schwierigkeiten gelassen zu

nur wer loslasst kann auch fliegen buddhistische download - Dec 31 2021

web 4 nur wer loslasst kann auch fliegen buddhistische 2023 03 08 der entgiftungsorgane wasseranwendungen wickel abbau von stress

nur wer loslässt kann auch fliegen buddhistische - Aug 19 2023

web nur wer loslässt kann auch fliegen buddhistische lebensweisheit um schwierigkeiten gelassen zu meistern brahm ajahn guojun master amazon com tr kitap

nur wer loslässt kann auch fliegen buddhistische - Mar 02 2022

web may 14 2017 nur wer loslässt kann auch fliegen buddhistische lebensweisheit um schwierigkeiten gelassen zu m buch zusammenfassung deutschland ebook

nur wer loslasst kann auch fliegen buddhistische - Dec 11 2022

web nur wer loslasst kann auch fliegen buddhistische militär wochenblatt alpina die sūtra s des vedānta oder die Çârîraka mîmânsâ des bâdarâyana resilienz die

zusammenfassung von nur wer loslässt kann auch fliegen - Jul 18 2023

web in den blinks zu nur wer loslässt kann auch fliegen 2019 erfährst du wie die beiden buddhistischen meister ajahn brahm und master guojun all den kleinen und großen

nur wer loslässt kann auch fliegen ajahn - Nov 10 2022

web entdecken sie nur wer loslässt kann auch fliegen ajahn brahm buddhistische lebensweisheit in der großen auswahl bei ebay kostenlose lieferung

nur wer loslässt kann auch fliegen buddhistische - Jun 05 2022

web jun 10 2023 da sie sagten mir d ebook nur wer loslasst kann auch fliegen buddhistische lebensweisheit um schwierigkeiten gelassen zu meistern the ultimate

nur wer loslässt kann auch fliegen buddhistische medimops - Mar 14 2023

web nur wer loslässt kann auch fliegen buddhistische lebensweisheit um schwierigkeiten gelassen zu meistern von ajahn brahm gebundene ausgabe bei medimops de

nur wer loslässt kann auch fliegen buddhistische - Sep 20 2023

web nur wer loslässt kann auch fliegen buddhistische lebensweisheit um schwierigkeiten gelassen zu meistern brahm ajahn guojun master weingart karin amazon de

nur wer loslasst kann auch fliegen buddhistische elsa - Jul 06 2022

web merely said the nur wer loslasst kann auch fliegen buddhistische is universally compatible with any devices to read

kindfulness brahm 2016 01 05 go beyond

nur wer loslässt kann auch fliegen buddhistische blogger - May 04 2022

web nov 1 2018 nur wer loslässt kann auch fliegen buddhistische lebensweisheit um schwierigkeiten gelassen zu m lebenslauf vollständig

nur wer loslässt kann auch fliegen buddhistische - Feb 01 2022

web may 15 2017 nur wer loslässt kann auch fliegen buddhistische lebensweisheit um schwierigkeiten gelassen zu m buch zusammenfassung deutch nur wer loslässt kann

nur wer loslässt kann auch fliegen buddhistische - Oct 29 2021

web sep 17 2023 lebewesentlich at ba5526a2 nur wer loslasst kann auch fliegen buddhistische meditationen dhamma dana de nur wer loslässt kann auch fliegen

nur wer loslässt kann auch fliegen buddhistische - Jun 17 2023

web sep 23 2019 nur wer loslässt kann auch fliegen buddhistische lebensweisheit um schwierigkeiten gelassen zu meistern brahm ajahn guojun master on amazon com

the juggler of notre dame and the medievalizing of modernity - Aug 05 2023

web tumbling back into france by way of philology xml notre dame the virgin in nineteenth century france this ambitious and vivid study in six volumes explores the

the juggler of notre dame and the medievalizing of modernity - Apr 01 2023

web jun 11 2018 the juggler of notre dame and the medievalizing of modernity is a rich case study for the reception of the middle ages in modernity spanning centuries and

the juggler of notre dame and the medievalizing of modernity - Sep 06 2023

web the juggler of notre dame tells how an entertainer abandons the world to join a monastery but is suspected of blasphemy after dancing his devotion before a statue of

the juggler of notre dame and the medievalizing of modernity - Aug 25 2022

web created by the medieval academy of america this resource is not available to the public

the juggler of notre dame and the medievalizing of modernity - Jun 03 2023

web the juggler of notre dame tells how an entertainer abandons the world to join a monastery but is suspected of blasphemy after dancing his devotion before a statue of

the juggler of notre dame and the medievalizing of modernity - Oct 07 2023

web the juggler of notre dame tells how an entertainer abandons the world to join a monastery but is suspected of blasphemy after dancing his devotion before a statue of the madonna in the crypt he is saved when the statue delighted by his skill

miraculously

the juggler of notre dame and the medievalizing of modernity - Jul 04 2023

web the juggler of notre dame medieval miracles and modern remakings cambridge uk open book publishers forthcoming

2022 under titles such as our lady s tumbler and of

21 09 23 ziolkowski the juggler of notre dame and the - Apr 20 2022

the juggler of notre dame and the medievalizing of modernity - Dec 29 2022

web this innovative collection of sources introduces readers to many previously untranslated texts and invites them to explore the journey of our lady s tumbler across both sides of

the juggler of notre dame and the medievalizing of - Feb 28 2023

web jul 25 2022 in his six volume the juggler of notre dame and the medievalizing of modernity 2018 jan ziolkowski offered the community of medievalists and numerous

the juggler of notre dame and the medievalizing of modernity - Mar 20 2022

the juggler of notre dame and the medievalizing of - Nov 27 2022

web medievalism middle ages influence performing arts united states history 20th century united states civilization 20th century notes includes bibliographical

the juggler of notre dame and the medievalizing of modernity - May 02 2023

web oct 31 2018 jan m ziolkowski open book publishers oct 31 2018 literary criticism 408 pages this ambitious and vivid study in six volumes explores the journey of a

the juggler of notre dame and the medievalizing of modernity - Jun 22 2022

web sep 21 2023 the juggler of notre dame and the medievalizing of modernity vols 3 and 4 cambridge uk open book 2018 pp 492 520 38 95 each hardback isbn 978

the juggler of notre dame and the medievalizing of modernity - Sep 25 2022

web summary this ambitious and vivid study in six volumes explores the journey of a single electrifying story from its first incarnation in a medieval french poem through its prolific

the juggler of notre dame and the medievalizing of modernity - May 22 2022

web the juggler of notre dame tells how an entertainer abandons the world to join a monastery but is suspected of blasphemy after dancing his devotion before a statue of

reading the juggler of notre dame medieval miracles and - Jan 30 2023

web the juggler of notre dame tells how an entertainer abandons the world to join a monastery but is suspected of blasphemy after dancing his devotion before a statue of

reading the juggler of notre dame oapen - Oct 27 2022

web jul 25 2018 the juggler of notre dame tells how an entertainer abandons the world to join a monastery but is suspected of blasphemy after dancing his devotion before a

the juggler of notre dame and the medievalizing of modernity - Jul 24 2022

web middle ages influence opera history 19th century includes bibliographical references pages 445 476 and index description based on online resource title from pdf title