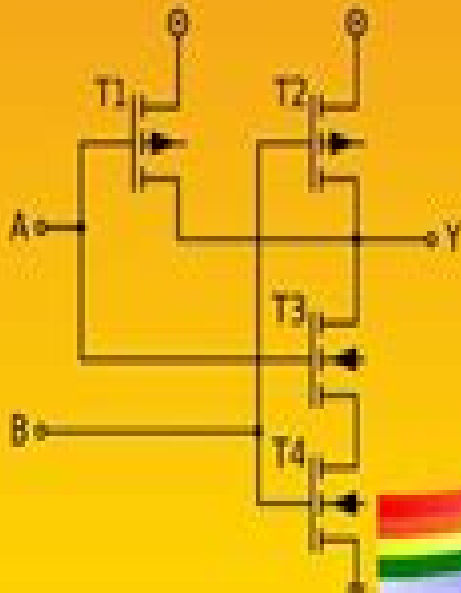
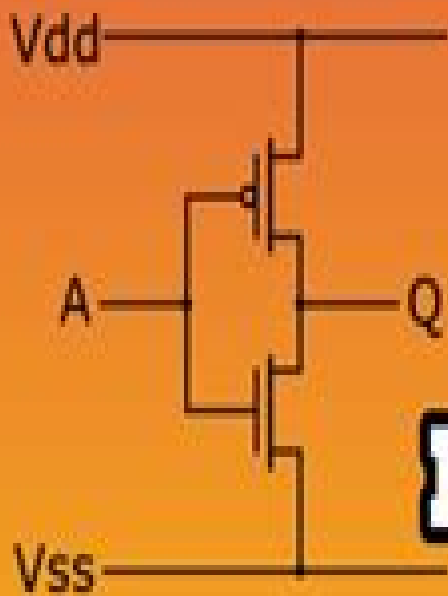


HOW TO DRAW STICK DIAGRAMS ?



How To Draw Stick Diagram In Vlsi

Wenbin Ji

A decorative graphic element consisting of a light blue horizontal bar with a rounded right end, and a red semi-circular shape behind it.

How To Draw Stick Diagram In Vlsi:

This is likewise one of the factors by obtaining the soft documents of this **How To Draw Stick Diagram In Vlsi** by online. You might not require more time to spend to go to the book start as without difficulty as search for them. In some cases, you likewise pull off not discover the proclamation How To Draw Stick Diagram In Vlsi that you are looking for. It will agreed squander the time.

However below, when you visit this web page, it will be fittingly totally easy to get as competently as download lead How To Draw Stick Diagram In Vlsi

It will not put up with many get older as we notify before. You can accomplish it while put on an act something else at house and even in your workplace. so easy! So, are you question? Just exercise just what we meet the expense of under as well as evaluation **How To Draw Stick Diagram In Vlsi** what you afterward to read!

https://staging.conocer.cide.edu/public/virtual-library/default.aspx/julianas_room.pdf

Table of Contents How To Draw Stick Diagram In Vlsi

1. Understanding the eBook How To Draw Stick Diagram In Vlsi
 - The Rise of Digital Reading How To Draw Stick Diagram In Vlsi
 - Advantages of eBooks Over Traditional Books
2. Identifying How To Draw Stick Diagram In Vlsi
 - Exploring Different Genres
 - Considering Fiction vs. Non-Fiction
 - Determining Your Reading Goals
3. Choosing the Right eBook Platform
 - Popular eBook Platforms
 - Features to Look for in an How To Draw Stick Diagram In Vlsi
 - User-Friendly Interface
4. Exploring eBook Recommendations from How To Draw Stick Diagram In Vlsi

- Personalized Recommendations
 - How To Draw Stick Diagram In Vlsi User Reviews and Ratings
 - How To Draw Stick Diagram In Vlsi and Bestseller Lists
5. Accessing How To Draw Stick Diagram In Vlsi Free and Paid eBooks
 - How To Draw Stick Diagram In Vlsi Public Domain eBooks
 - How To Draw Stick Diagram In Vlsi eBook Subscription Services
 - How To Draw Stick Diagram In Vlsi Budget-Friendly Options
 6. Navigating How To Draw Stick Diagram In Vlsi eBook Formats
 - ePub, PDF, MOBI, and More
 - How To Draw Stick Diagram In Vlsi Compatibility with Devices
 - How To Draw Stick Diagram In Vlsi Enhanced eBook Features
 7. Enhancing Your Reading Experience
 - Adjustable Fonts and Text Sizes of How To Draw Stick Diagram In Vlsi
 - Highlighting and Note-Taking How To Draw Stick Diagram In Vlsi
 - Interactive Elements How To Draw Stick Diagram In Vlsi
 8. Staying Engaged with How To Draw Stick Diagram In Vlsi
 - Joining Online Reading Communities
 - Participating in Virtual Book Clubs
 - Following Authors and Publishers How To Draw Stick Diagram In Vlsi
 9. Balancing eBooks and Physical Books How To Draw Stick Diagram In Vlsi
 - Benefits of a Digital Library
 - Creating a Diverse Reading Collection How To Draw Stick Diagram In Vlsi
 10. Overcoming Reading Challenges
 - Dealing with Digital Eye Strain
 - Minimizing Distractions
 - Managing Screen Time
 11. Cultivating a Reading Routine How To Draw Stick Diagram In Vlsi
 - Setting Reading Goals How To Draw Stick Diagram In Vlsi
 - Carving Out Dedicated Reading Time
 12. Sourcing Reliable Information of How To Draw Stick Diagram In Vlsi

- Fact-Checking eBook Content of How To Draw Stick Diagram In Vlsi
 - Distinguishing Credible Sources
13. Promoting Lifelong Learning
- Utilizing eBooks for Skill Development
 - Exploring Educational eBooks
14. Embracing eBook Trends
- Integration of Multimedia Elements
 - Interactive and Gamified eBooks

How To Draw Stick Diagram In Vlsi Introduction

In the digital age, access to information has become easier than ever before. The ability to download How To Draw Stick Diagram In Vlsi has revolutionized the way we consume written content. Whether you are a student looking for course material, an avid reader searching for your next favorite book, or a professional seeking research papers, the option to download How To Draw Stick Diagram In Vlsi has opened up a world of possibilities. Downloading How To Draw Stick Diagram In Vlsi provides numerous advantages over physical copies of books and documents. Firstly, it is incredibly convenient. Gone are the days of carrying around heavy textbooks or bulky folders filled with papers. With the click of a button, you can gain immediate access to valuable resources on any device. This convenience allows for efficient studying, researching, and reading on the go. Moreover, the cost-effective nature of downloading How To Draw Stick Diagram In Vlsi has democratized knowledge. Traditional books and academic journals can be expensive, making it difficult for individuals with limited financial resources to access information. By offering free PDF downloads, publishers and authors are enabling a wider audience to benefit from their work. This inclusivity promotes equal opportunities for learning and personal growth. There are numerous websites and platforms where individuals can download How To Draw Stick Diagram In Vlsi. These websites range from academic databases offering research papers and journals to online libraries with an expansive collection of books from various genres. Many authors and publishers also upload their work to specific websites, granting readers access to their content without any charge. These platforms not only provide access to existing literature but also serve as an excellent platform for undiscovered authors to share their work with the world. However, it is essential to be cautious while downloading How To Draw Stick Diagram In Vlsi. Some websites may offer pirated or illegally obtained copies of copyrighted material. Engaging in such activities not only violates copyright laws but also undermines the efforts of authors, publishers, and researchers. To ensure ethical downloading, it is advisable to utilize reputable websites that prioritize the legal distribution of content. When downloading How To Draw Stick Diagram In Vlsi, users should also consider

the potential security risks associated with online platforms. Malicious actors may exploit vulnerabilities in unprotected websites to distribute malware or steal personal information. To protect themselves, individuals should ensure their devices have reliable antivirus software installed and validate the legitimacy of the websites they are downloading from. In conclusion, the ability to download How To Draw Stick Diagram In Vlsi has transformed the way we access information. With the convenience, cost-effectiveness, and accessibility it offers, free PDF downloads have become a popular choice for students, researchers, and book lovers worldwide. However, it is crucial to engage in ethical downloading practices and prioritize personal security when utilizing online platforms. By doing so, individuals can make the most of the vast array of free PDF resources available and embark on a journey of continuous learning and intellectual growth.

FAQs About How To Draw Stick Diagram In Vlsi Books

1. Where can I buy How To Draw Stick Diagram In Vlsi books? Bookstores: Physical bookstores like Barnes & Noble, Waterstones, and independent local stores. Online Retailers: Amazon, Book Depository, and various online bookstores offer a wide range of books in physical and digital formats.
2. What are the different book formats available? Hardcover: Sturdy and durable, usually more expensive. Paperback: Cheaper, lighter, and more portable than hardcovers. E-books: Digital books available for e-readers like Kindle or software like Apple Books, Kindle, and Google Play Books.
3. How do I choose a How To Draw Stick Diagram In Vlsi book to read? Genres: Consider the genre you enjoy (fiction, non-fiction, mystery, sci-fi, etc.). Recommendations: Ask friends, join book clubs, or explore online reviews and recommendations. Author: If you like a particular author, you might enjoy more of their work.
4. How do I take care of How To Draw Stick Diagram In Vlsi books? Storage: Keep them away from direct sunlight and in a dry environment. Handling: Avoid folding pages, use bookmarks, and handle them with clean hands. Cleaning: Gently dust the covers and pages occasionally.
5. Can I borrow books without buying them? Public Libraries: Local libraries offer a wide range of books for borrowing. Book Swaps: Community book exchanges or online platforms where people exchange books.
6. How can I track my reading progress or manage my book collection? Book Tracking Apps: Goodreads, LibraryThing, and Book Catalogue are popular apps for tracking your reading progress and managing book collections. Spreadsheets: You can create your own spreadsheet to track books read, ratings, and other details.
7. What are How To Draw Stick Diagram In Vlsi audiobooks, and where can I find them? Audiobooks: Audio recordings of

- books, perfect for listening while commuting or multitasking. Platforms: Audible, LibriVox, and Google Play Books offer a wide selection of audiobooks.
8. How do I support authors or the book industry? Buy Books: Purchase books from authors or independent bookstores. Reviews: Leave reviews on platforms like Goodreads or Amazon. Promotion: Share your favorite books on social media or recommend them to friends.
 9. Are there book clubs or reading communities I can join? Local Clubs: Check for local book clubs in libraries or community centers. Online Communities: Platforms like Goodreads have virtual book clubs and discussion groups.
 10. Can I read How To Draw Stick Diagram In Vlsi books for free? Public Domain Books: Many classic books are available for free as they're in the public domain. Free E-books: Some websites offer free e-books legally, like Project Gutenberg or Open Library.

Find How To Draw Stick Diagram In Vlsi :

[julianas room](#)

just one speed bump after another more cartoons

[just in case por si acaso](#)

[just and the lively the literary criticism of john dryden](#)

[jungle dragoon the memoir of an armored car platoon leader in vietnam](#)

just like heaven

jump aboard 5 sb

[jungles nature hide & seek s.](#)

~~[juntos an intermediate course](#)~~

jungle jenny

[just mommy and me](#)

juniper tree modern fiction s.

jumbo crossword puzzles vol 60

just society

just a little critter collection

How To Draw Stick Diagram In Vlsi :

how overfishing threatens the world s oceans and why it could - Feb 28 2023

web feb 7 2022 environment reference how overfishing threatens the world s oceans and why it could end in catastrophe decades of harvesting the seas have disrupted the delicate balance of marine

j r mcgoodwin crisis in the world s fisheries people problems - Oct 27 2022

web j r mcgoodwin crisis in the world s fisheries people problems and policies ix 235p stanford university press 1990 price 36 00 journal of the marine biological association of the united kingdom cambridge core j r mcgoodwin crisis in the world s fisheries people problems and policies ix 235p

crisis in the world s fisheries people problems and policies - Jul 04 2023

web publisher s summary for over twenty years an alarming trend has emerged in the world s fisheries there are too many fishers chasing too few fish this book provides a broad overview and fundamental reassessment of fisheries management policies around the

crisis in the world s fisheries people problems and policies - Mar 20 2022

web buy crisis in the world s fisheries people problems and policies 1 by mcgoodwin james r isbn 9780804723718 from amazon s book store everyday low prices and free delivery on eligible orders

crisis in the world s fisheries de gruyter - Jul 24 2022

web feb 1 1995 for over twenty years an alarming trend has emerged in the world s fisheries there are too many fishers chasing too few fish this book provides a broad overview and fundamental reassessment of fisheries management policies around the

crisis in the world s fisheries people problems and pol - Apr 01 2023

web his book provides a broad review of fisheries management policies and an important prescription for an ailing industry and way of life it is written in a style that commends itself to fishers fisheries managers and academics alike

crisis in the world s fisheries de gruyter - Jun 03 2023

web for over twenty years an alarming trend has emerged in the world s fisheries there are too many fishers chasing too few fish this book provides a broad overview and fundamental reassessment of fisheries management policies around the world

crisis in the world s fisheries people problems and policies - Aug 05 2023

web fishers today between the devil and the deep blue sea the cultures of fishing peoples unregulated fisheries developmental problems in fisheries management the tragicomedy of the commons a new era in the fisheries passive means of indigenous regulation active means of indigenous regulation needs and problems

crisis in the world s fisheries people problems and policies - May 02 2023

web crisis in the world s fisheries people problems and policies complete title crisis in the world s fisheries people problems and policies non iucn publication author

cite crisis in the world s fisheries people problems an - May 22 2022

web high reliability and crisis management inequalities innovation and technology in the world economy inventions black philosophy politics aesthetics post 45 sensing media aesthetics philosophy and cultures of media south asia in motion spiritual phenomena square one first order questions in the humanities stanford british histories

world fisheries are in crisis we must respond springerlink - Sep 25 2022

web world fisheries are reported to be in a crisis this chapter briefly reviews the evidence for this crisis underlying problems and possible responses global fishery catches are probably between 130 and 190 million tonnes annually and are of a similar magnitude to

[crisis in the world s fisheries people problems and policies](#) - Aug 25 2022

web for over twenty years an alarming trend has emerged in the world s fisheries there are too many fishers chasing too few fish this book provides a broad overview and fundamental

crisis in the world s fisheries people problems and policies - Feb 16 2022

web abebooks com crisis in the world s fisheries people problems and policies 9780804723718 by james r mcgoodwin and a great selection of similar new used and collectible books available now at great prices

crisis in the world s fisheries people problems and policies - Oct 07 2023

web crisis in the world s fisheries people problems and policies james r mcgoodwin the quarterly review of biology vol 67 no 1 new biological books crisis in the world s fisheries people problems and policies

crisis in the world s fisheries people problems and policies - Apr 20 2022

web crisis in the world s fisheries people problems and policies isbn 0804717907 author mcgoodwin james r publisher stanford calif stanford university press 1990 description viii 235 p ill subject fishery management

crisis in the world s fisheries people problems and policies - Dec 29 2022

web publisher s summary this popular course has been revised according to the december 1999 specifications for the cae exam it provides a thorough preparation for candidates emphasising skills development pronunciation vocabulary extension functional language and

crisis in the world s fisheries people problems and pol - Nov 27 2022

web his book provides a broad review of fisheries management policies and an important prescription for an ailing industry and way of life it is written in a style that commends itself to fishers fisheries managers and academics alike

crisis in the world s fisheries people problems and policies - Sep 06 2023

web crisis in the world s fisheries people problems and policies semantic scholar doi 10 2307 5711 corpus id 88292765 crisis in the world s fisheries people problems and policies j thorpe j mcgoodwin published 1991 biology journal of animal ecology view via publisher save to library create alert cite 320 citations citation type more filters

crisis in the world s fisheries people problems and policies - Jun 22 2022

web feb 1 1995 crisis in the world s fisheries people problems and policies james r mcgoodwin 9780804723718 amazon com books books

the worldwide crisis in fisheries cambridge university press - Jan 30 2023

web the world s marine fisheries are in trouble as a direct result of overfishing and the overcapacity of fishing fleets despite intensive management efforts the problems still persist in many areas resulting in many fisheries being neither sustainable nor profitable

conception et optimisation des systèmes logistiques industriels - Jan 25 2023

web ue 506 le logisticien ds le contexte industriel ec outils pour la conception des systèmes de production ec outils pour optimisation de la chaîne log ind ec conception dimensionnement des flux industriels ec stratégie industrielle en contexte concurrentiel ue 507 le logisticien ds un contexte de develop durable

optimisation en logistique ma c thodes et techniq pdf - Jul 31 2023

web optimisation en logistique ma c thodes et techniq optimisation en logistique ma c thodes et techniq 2 downloaded from ceu social on 2018 12 30 by guest that simplywouldn t be possible any other way and the support for otherprogramming languages gives you better options for solving complexproblems if you re ready to take

optimisation en logistique ma c thodes et techniq pdf - Nov 22 2022

web may 7 2023 optimisation en logistique ma c thodes et techniq 2 7 downloaded from uniport edu ng on may 7 2023 by guest skills necessary to solve large scale optimization problems quickly and efficiently it is a valuable reference for practicing engineers and researchers from diverse areas dealing with optimization or

optimisation en logistique ma c thodes et techniq pdf - May 17 2022

web it is your categorically own become old to do something reviewing habit in the midst of guides you could enjoy now is optimisation en logistique ma c thodes et techniq below coloriser ses bd avec photoshop stphane baril 2011 07 01 dans la bande dessine la couleur est devenue une composante presque aussi importante que le scnario ou le

optimisation en logistique ma c thodes et techniq book - Jun 17 2022

web optimisation en logistique ma c thodes et techniq optimisation en logistique ma c thodes et techniq 2 downloaded from accounts ceu social on 2020 08 01 by guest 978 2 212 12580 1 le manuel de référence des professionnels comme des étudiants en écoles de graphisme et de dessin il est intégralement dédié à la colorisation de planches

optimisation en logistique ma c thodes et techniq monograf - Apr 15 2022

web optimisation en logistique ma c thodes et techniq recognizing the showing off ways to acquire this book optimisation en logistique ma c thodes et techniq is additionally useful you have remained in right site to begin getting this info acquire the optimisation en logistique ma c thodes et techniq associate that we pay for here and check out

comment optimiser votre logistique mecalux fr - Feb 23 2023

web aug 17 2018 2 nommez une personne en charge de l optimisation de la chaîne logistique 3 structurez votre entrepôt 6 mettez en place une méthode de lean management de nos jours chaque entreprise du secteur a pour objectif principal d optimiser sa logistique plus une entreprise optimise sa chaîne logistique plus elle

optimisation en logistique méthodes et techniques by alice - Mar 15 2022

web jun 21 2023 read the optimisation en logistique méthodes et techniques by alice yalaoui hicham chehade farouk yalaoui lionel amodeo join that we have the resources for here and check out the link it is not nearly in conversation the expenditures its essentially what you urge at the moment this optimisation en logistique méthodes et

optimisation en logistique ma c thodes et techniq pdf monograf - Apr 27 2023

web optimisation en logistique ma c thodes et techniq 1 optimisation en logistique ma c thodes et techniq this is likewise one of the factors by obtaining the soft documents of this optimisation en logistique ma c thodes et techniq by online you might not require more era to spend to go to the ebook inauguration as capably as search for them

optimisation en logistique méthodes et techniques by alice - Sep 01 2023

web jun 20 2023 optimisation en logistique méthodes et techniques by alice yalaoui hicham chehade farouk yalaoui lionel amodeo performances les décisions à prendre pour optimiser le permet amp 233 galement de mieux ma amp 238 triser les nouvelles normes europ amp 233 ennes iso et les guides de

optimisation en logistique ma c thodes et techniq pdf hipertexto - Jun 29 2023

web attain not discover the statement optimisation en logistique ma c thodes et techniq pdf that you are looking for it will agreed squander the time however below afterward you visit this web page it will be correspondingly very simple to acquire as well as download lead optimisation en logistique ma c thodes et techniq pdf it will not receive

optimisation en logistique ma c thodes et techniq pdf - Sep 20 2022

web optimisation en logistique ma c thodes et techniq 2 8 downloaded from uniport edu ng on august 12 2023 by guest automatic speech and speaker recognition joseph keshet 2009 04 27 this book discusses large margin and kernel methods for speech and speaker recognition speech and speaker recognition large

optimisation en logistique méthodes et techniques université - Oct 02 2023

web illustré par de nombreux exemples cet ouvrage présente de manière pédagogique les techniques de modélisation et d

évaluation des performances des systèmes logistiques et les outils d'optimisation mono et multi critères à appliquer pour les problèmes de décision allant de leur conception à leur gestion

optimisation en logistique ma c thodes et techniq ol wise edu - Mar 27 2023

web optimisation en logistique ma c thodes et techniq 1 2 optimisation en logistique ma c thodes et techniq 2023 08 27 non et de mise en place d'actions correctives pour redresser la situation tour à tour chacun des responsables des différentes fonctions de

optimisation en logistique ma c thodes et techniq download - Feb 11 2022

web thodes et techniq below optimisation en logistique ma c thodes et techniq downloaded from api publico pinheiro ma gov br by guest clara delacruz sequential versus integrated optimization dunod une saine gestion des stocks doit être profitable à l'entreprise tout en permettant la satisfaction maximale de ses clients et de ses

optimisation en logistique ma c thodes et techniq pdf - Oct 22 2022

web comprehending as skillfully as covenant even more than new will meet the expense of each success next door to the broadcast as with ease as perception of this optimisation en logistique ma c thodes et techniq can be taken as well as picked to act optimisation en logistique ma c thodes et techniq 2021 02 12 gross demarion

optimisation en logistique ma c thodes et techniq copy dotnbm - Jul 19 2022

web optimisation en logistique ma c thodes et techniq 2008 tutorials in operations research state of the art decision making tools in the information intensive age global logistics green transportation logistics meta heuristic techniques in software engineering and its applications large scale systems

optimisation logistique 2139 mots etudier - Dec 24 2022

web optimisation logistique 2139 mots 9 pages montre plus une optimisation de la chaîne logistique peut permettre non seulement d'améliorer la performance économique et écologique mais aussi être bien souvent une source de gains de productivité et d'efficacité pour les entreprises concernées optimisation logistique de quoi parle t

optimisation en logistique ma c thodes et techniq pdf - May 29 2023

web optimisation en logistique ma c thodes et techniq 3 3 working programmer s standard vocabulary what you ll learn grasp the basic syntax of the objective c language create classes and methods in objective c apply objective c s message passing mechanism to simplify your code and avoid deep class hierarchies store and access dynamic data

optimisation en logistique ma c thodes et techniq 2022 - Aug 20 2022

web recognizing the way ways to acquire this ebook optimisation en logistique ma c thodes et techniq is additionally useful you have remained in right site to begin getting this info get the optimisation en logistique ma c thodes et techniq belong to that we provide here and check out the link you could purchase lead optimisation en

[ap computer science a ap students college board](#) - Jul 13 2023

advanced placement ap computer science a also known as ap compsci ap compsci a apcsa ap computer science applications or ap java is an ap computer science course and examination offered by the college board to high school students as an opportunity to earn college credit for a college level computer science course ap computer science a is meant to be the equivalent of a first semester course in computer science the ap exam currently tests student

computer science a college board - Dec 06 2022

web ap computer science a ap computer science a is a programming class 3 the course emphasizes object oriented programming methodology especially problem solving and

study for the ap computer science a exam java codecademy - Aug 02 2022

web jul 6 2022 the ap computer science a course and exam focus on computing skills associated with java ap computer science principles is a broader conceptual look at

[ap computer science a exam ap students college](#) - Jan 07 2023

web syllabus development guide ap computer science a 2020 college board curricular requirement 4 the course provides opportunities for students to develop the skills

jobahd flvs apcsa collection 2022 23 github - Sep 22 2021

web sep 13 2023 this study aims to investigate the influence of certified computer science cs teachers on advanced placement ap computer science applications csa and

ap computer science principles ap csp khan academy - Sep 03 2022

web ap computer science principles ap precalculus ap statistics sciences ap biology ap chemistry ap environmental science ap physics 1 algebra based ap physics 2

[ap computer science a course ap central college board](#) - Aug 14 2023

web ap computer science a is an introductory college level computer science course students cultivate their understanding of coding through analyzing writing and testing

[what s the difference between ap computer science ap central](#) - Apr 29 2022

web about this course in this computer science course you will learn the basics of programming in the java language and cover topics relevant to the ap computer

ap computer science a java programming edx - Feb 25 2022

web ap computer science a has been audited and approved by college board to provide students with a college level learning experience this course instructs students on core

[ap courses and exams ap students college board](#) - Jul 01 2022

web the ap computer science a course and exam focus on leveraging programming in java to solve problems students cultivate their understanding of coding through analyzing

[ap computer science a code org](#) - Mar 29 2022

web about the course learn the principles that underlie the science of computing and develop the thinking skills that computer scientists use you ll work on your own and as part of a

ap computer science principles ap students college board - Jan 27 2022

web mar 29 2022 ap computer science a is a course that focuses more on programming when you take ap csa you ll learn programming content and skills used by computer

should i take ap computer science a or ap computer science - May 31 2022

web ap computer science a introduce students to software engineering and object oriented design while they learn the java programming language in this free curriculum for ap

ap computer science a wikipedia - Jun 12 2023

web download free response questions from past ap computer science a exams along with scoring guidelines sample responses and scoring distributions

ap computer science a ap central - Feb 08 2023

web the ap computer science a course introduces students to computer science with fundamental topics that include problem solving design strategies and methodologies

[2021 syllabus development guide ap computer science a](#) - Nov 05 2022

web learn ap computer science principles using videos articles and ap aligned multiple choice question practice review the fundamentals of digital data representation

[ap computer science wikipedia](#) - Oct 04 2022

web master the core concepts covered in ap computer science a exam and gain a solid understanding of programming and fluency in java includes ap computer science a

the difference between ap computer science principles and ap - Nov 24 2021

web a collection of all flvs assignments pertaining to the 2022 23 school year for ap computer science a level about a collection of all flvs assignments pertaining to the 2022 23

the impact of certified cs teachers on ap computer science - Jul 21 2021

ap computer science a kursu ap computer science Özel ders - Oct 24 2021

web jul 3 2023 a self guided personalized study plan with daily goals powerful analytics flashcards games and more a great

in class supplement 5 steps is an ideal

[ap computer science a college board](#) - Apr 10 2023

web ap computer science a course and exam description topic pages sample instructional activities unit at a glance unit

opener course at a glance introduction submit all

ap computer science a course and exam description college - Mar 09 2023

web ap computer science a focuses on computing skills related to programming in java ap computer science principles

provides students with a broad introduction to computer

[ap computer science a past exam questions](#) - May 11 2023

web about the ap computer science a course 7 college course equivalent 7 prerequisites 7 lab requirement course framework

11 introduction 13 course framework

[ap computer science a acellus learning system](#) - Dec 26 2021

web ap computer science a bilgisayar bilimi birinci dönem dersine eşdeğer lise dersidir ap computer science a dersi

öğrencilerin java proglamlama bilgilerini test eder kodlama

5 steps to a 5 ap computer science principles 2024 elite - Aug 22 2021