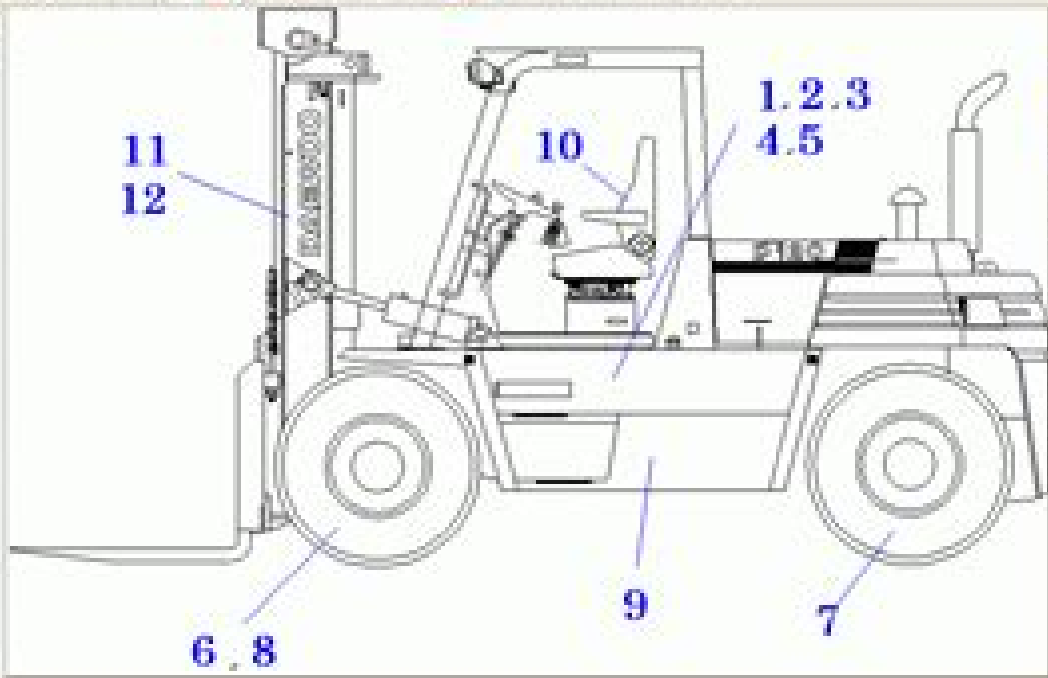


Top

- 110000 PARTS CATALOG
- MAINTENANCE PARTS
- HOUSING OF-CA & TIREWIP
- HOUSING OF-POWER TRAINS
- CYLINDER BLOCK
- TYPING GEAR CASE
- FLY WHEEL HOUSING
- CRANK SHAFT
- PISTON
- CYLINDER HEAD
- CAM SHAFT
- INTERMEDIATE GEAR
- OL PIPES/OIL PAN
- OL FILTER
- OL COOLER
- COOLING WATER PUMP
- COOLING SYSTEM
- INTAKE & EXHAUST MANIFOLD
- NOZZLE HOLDER
- INJECTION PIPE
- INJECTION PUMP
- FUEL FILTER
- ELECTRIC PARTS & TACHOMETER
- AIR COMPRESSOR
- ALL OVERHAUL GASKET KIT
- TOP OVERHAUL GASKET KIT
- LINE OF-FUEL & COOLANT/FUEL
- RUFFLER OF
- CHG OVER AL - SHARK ARMED
- AIR CLEANER OF
- CONTROL OF-ENGINE PART
- LINE OF-FUEL & COOLANT/FUEL
- INSTRUMENT OF
- BATTERY OF
- WIPERS OF
- LIGHTING AND WARNING OF
- HOUSING OF-EG & TIREWIP
- LINE OF-FUEL & OL-COOLER
- CONTROL OF-BRCHNG PART
- HTG OF-POWER TRANSDRIVE A
- HTG OF-POWER TRANSDRIVE A
- DRIVE ASSEMBLY
- AXLE OF-STEER
- TIRE & WHEEL
- LINE OF-BRAKE-(L/O)-PARKING
- LINE OF-BRAKE-(L/O)-SERVICE
- LINE OF-BRAKE-(L/O)-SERVICE
- LINE OF-BRAKE
- LINE OF-BRAKE
- AIR COVER
- FRAME OF
- HOOD OF
- CHANGE OVER AL-CHNG
- COUNTER WEIGHT
- BACK REAR OF
- CHCY AL SOUND PACKAGE PA



D160
QUICK REFERENCE GUIDE TO MAJ

| GROUP Number | GROUP Name |
|--------------|--------------------------------|
| 1 | BASIC ENGINE |
| 2 | COOLING SYSTEM |
| 3 | AIR INLET AND EXHAUST SYSTEM |
| 4 | FUEL SYSTEM |
| 5 | ELECTRICAL SYSTEM |
| 6 | POWER TRAIN |
| 7 | STEERING SYSTEM |
| 8 | BRAKING SYSTEM |
| 9 | FRAME AND BODY |
| 10 | OPERATOR STATION |
| 11 | HYDRAULIC SYSTEM |
| 12 | IMPLEMENTS |
| 13 | SERVICE EQUIPMENT AND SUPPLIES |
| | ABBREVIATIONS |
| | MAINTENANCE PARTS |

Manual Parts Doosan Forklift

**Thirumalaisamy P.
Velavancorresponding**

Manual Parts Doosan Forklift:

Ignite the flame of optimism with its motivational masterpiece, **Manual Parts Doosan Forklift** . In a downloadable PDF format (Download in PDF: *), this ebook is a beacon of encouragement. Download now and let the words propel you towards a brighter, more motivated tomorrow.

<https://staging.conocer.cide.edu/files/scholarship/fetch.php/modern%20biology%20study%20guide%20answers%20section%202025.pdf>

Table of Contents Manual Parts Doosan Forklift

1. Understanding the eBook Manual Parts Doosan Forklift
 - The Rise of Digital Reading Manual Parts Doosan Forklift
 - Advantages of eBooks Over Traditional Books
2. Identifying Manual Parts Doosan Forklift
 - Exploring Different Genres
 - Considering Fiction vs. Non-Fiction
 - Determining Your Reading Goals
3. Choosing the Right eBook Platform
 - Popular eBook Platforms
 - Features to Look for in an Manual Parts Doosan Forklift
 - User-Friendly Interface
4. Exploring eBook Recommendations from Manual Parts Doosan Forklift
 - Personalized Recommendations
 - Manual Parts Doosan Forklift User Reviews and Ratings
 - Manual Parts Doosan Forklift and Bestseller Lists
5. Accessing Manual Parts Doosan Forklift Free and Paid eBooks
 - Manual Parts Doosan Forklift Public Domain eBooks
 - Manual Parts Doosan Forklift eBook Subscription Services
 - Manual Parts Doosan Forklift Budget-Friendly Options

6. Navigating Manual Parts Doosan Forklift eBook Formats
 - ePub, PDF, MOBI, and More
 - Manual Parts Doosan Forklift Compatibility with Devices
 - Manual Parts Doosan Forklift Enhanced eBook Features
7. Enhancing Your Reading Experience
 - Adjustable Fonts and Text Sizes of Manual Parts Doosan Forklift
 - Highlighting and Note-Taking Manual Parts Doosan Forklift
 - Interactive Elements Manual Parts Doosan Forklift
8. Staying Engaged with Manual Parts Doosan Forklift
 - Joining Online Reading Communities
 - Participating in Virtual Book Clubs
 - Following Authors and Publishers Manual Parts Doosan Forklift
9. Balancing eBooks and Physical Books Manual Parts Doosan Forklift
 - Benefits of a Digital Library
 - Creating a Diverse Reading Collection Manual Parts Doosan Forklift
10. Overcoming Reading Challenges
 - Dealing with Digital Eye Strain
 - Minimizing Distractions
 - Managing Screen Time
11. Cultivating a Reading Routine Manual Parts Doosan Forklift
 - Setting Reading Goals Manual Parts Doosan Forklift
 - Carving Out Dedicated Reading Time
12. Sourcing Reliable Information of Manual Parts Doosan Forklift
 - Fact-Checking eBook Content of Manual Parts Doosan Forklift
 - Distinguishing Credible Sources
13. Promoting Lifelong Learning
 - Utilizing eBooks for Skill Development
 - Exploring Educational eBooks
14. Embracing eBook Trends
 - Integration of Multimedia Elements

- Interactive and Gamified eBooks

Manual Parts Doosan Forklift Introduction

Free PDF Books and Manuals for Download: Unlocking Knowledge at Your Fingertips In today's fast-paced digital age, obtaining valuable knowledge has become easier than ever. Thanks to the internet, a vast array of books and manuals are now available for free download in PDF format. Whether you are a student, professional, or simply an avid reader, this treasure trove of downloadable resources offers a wealth of information, conveniently accessible anytime, anywhere. The advent of online libraries and platforms dedicated to sharing knowledge has revolutionized the way we consume information. No longer confined to physical libraries or bookstores, readers can now access an extensive collection of digital books and manuals with just a few clicks. These resources, available in PDF, Microsoft Word, and PowerPoint formats, cater to a wide range of interests, including literature, technology, science, history, and much more. One notable platform where you can explore and download free Manual Parts Doosan Forklift PDF books and manuals is the internet's largest free library. Hosted online, this catalog compiles a vast assortment of documents, making it a veritable goldmine of knowledge. With its easy-to-use website interface and customizable PDF generator, this platform offers a user-friendly experience, allowing individuals to effortlessly navigate and access the information they seek. The availability of free PDF books and manuals on this platform demonstrates its commitment to democratizing education and empowering individuals with the tools needed to succeed in their chosen fields. It allows anyone, regardless of their background or financial limitations, to expand their horizons and gain insights from experts in various disciplines. One of the most significant advantages of downloading PDF books and manuals lies in their portability. Unlike physical copies, digital books can be stored and carried on a single device, such as a tablet or smartphone, saving valuable space and weight. This convenience makes it possible for readers to have their entire library at their fingertips, whether they are commuting, traveling, or simply enjoying a lazy afternoon at home. Additionally, digital files are easily searchable, enabling readers to locate specific information within seconds. With a few keystrokes, users can search for keywords, topics, or phrases, making research and finding relevant information a breeze. This efficiency saves time and effort, streamlining the learning process and allowing individuals to focus on extracting the information they need. Furthermore, the availability of free PDF books and manuals fosters a culture of continuous learning. By removing financial barriers, more people can access educational resources and pursue lifelong learning, contributing to personal growth and professional development. This democratization of knowledge promotes intellectual curiosity and empowers individuals to become lifelong learners, promoting progress and innovation in various fields. It is worth noting that while accessing free Manual Parts Doosan Forklift PDF books and manuals is convenient and cost-effective, it is vital to respect copyright laws and intellectual property rights. Platforms offering free downloads often operate within legal boundaries,

ensuring that the materials they provide are either in the public domain or authorized for distribution. By adhering to copyright laws, users can enjoy the benefits of free access to knowledge while supporting the authors and publishers who make these resources available. In conclusion, the availability of Manual Parts Doosan Forklift free PDF books and manuals for download has revolutionized the way we access and consume knowledge. With just a few clicks, individuals can explore a vast collection of resources across different disciplines, all free of charge. This accessibility empowers individuals to become lifelong learners, contributing to personal growth, professional development, and the advancement of society as a whole. So why not unlock a world of knowledge today? Start exploring the vast sea of free PDF books and manuals waiting to be discovered right at your fingertips.

FAQs About Manual Parts Doosan Forklift Books

What is a Manual Parts Doosan Forklift PDF? A PDF (Portable Document Format) is a file format developed by Adobe that preserves the layout and formatting of a document, regardless of the software, hardware, or operating system used to view or print it. **How do I create a Manual Parts Doosan Forklift PDF?** There are several ways to create a PDF: Use software like Adobe Acrobat, Microsoft Word, or Google Docs, which often have built-in PDF creation tools. Print to PDF: Many applications and operating systems have a "Print to PDF" option that allows you to save a document as a PDF file instead of printing it on paper. Online converters: There are various online tools that can convert different file types to PDF. **How do I edit a Manual Parts Doosan Forklift PDF?** Editing a PDF can be done with software like Adobe Acrobat, which allows direct editing of text, images, and other elements within the PDF. Some free tools, like PDFescape or Smallpdf, also offer basic editing capabilities. **How do I convert a Manual Parts Doosan Forklift PDF to another file format?** There are multiple ways to convert a PDF to another format: Use online converters like Smallpdf, Zamzar, or Adobe Acrobats export feature to convert PDFs to formats like Word, Excel, JPEG, etc. Software like Adobe Acrobat, Microsoft Word, or other PDF editors may have options to export or save PDFs in different formats. **How do I password-protect a Manual Parts Doosan Forklift PDF?** Most PDF editing software allows you to add password protection. In Adobe Acrobat, for instance, you can go to "File" -> "Properties" -> "Security" to set a password to restrict access or editing capabilities. Are there any free alternatives to Adobe Acrobat for working with PDFs? Yes, there are many free alternatives for working with PDFs, such as: LibreOffice: Offers PDF editing features. PDFsam: Allows splitting, merging, and editing PDFs. Foxit Reader: Provides basic PDF viewing and editing capabilities. How do I compress a PDF file? You can use online tools like Smallpdf, ILovePDF, or desktop software like Adobe Acrobat to compress PDF files without significant quality loss. Compression reduces the file size, making it easier to share and download. Can I fill out forms in a PDF file? Yes, most PDF viewers/editors like Adobe Acrobat,

Preview (on Mac), or various online tools allow you to fill out forms in PDF files by selecting text fields and entering information. Are there any restrictions when working with PDFs? Some PDFs might have restrictions set by their creator, such as password protection, editing restrictions, or print restrictions. Breaking these restrictions might require specific software or tools, which may or may not be legal depending on the circumstances and local laws.

Find Manual Parts Doosan Forklift :

modern biology study guide answers section 25

mohammed the prophet of islam

modern biology study guide answer key vertebrates

~~modern biology study guide section 22-2~~

molecular photophysics and spectroscopy david l andrews

modern biology study guide answer key test

~~modern woodworking textbook answer key chapter 35~~

modern optics hecht solutions guide

~~moi autoentrepreneur je~~

molarity m worksheet answer key instructional fair

modern biology study guide the light reactions

mole a measurement of matter answer key

~~modern carpentry 11th edition workbook answers~~

modern labor economics 10th edition solutions

~~mon petit beacutebeacute manchot~~

Manual Parts Doosan Forklift :

fr final fantasy encyclopédie officielle memorial ultimania - Feb 12 2023

web jul 2 2021 throughout the 336 pages of the second book of this commemorative work relive episodes i ii iii iv v and vi of final fantasy like never before final fantasy encyclopédie officielle memorial ultimania vol 3 price 39 90 region france belgium switzerland canada publisher mana books language french

final fantasy official memorial ultimania thalia - Apr 14 2023

web may 30 2023 final fantasy official memorial ultimania final fantasy official memorial ultimania final fantasy official

memorial ultimania i ii iii iv v vi behandelt die spiele i ii iii iv v und vi buch gebundene ausgabe 39 99 inkl gesetzl mwst versandkostenfrei artikel liefern lassen erscheint am 30 5 2023 vorbestellen click collect

[final fantasy official memorial ultimania amazon de](#) - Nov 09 2022

web final fantasy official memorial ultimania final fantasy official memorial ultimania vii bis ix behandelt die spiele vii viii und ix christiansen lasse christian amazon de bücher

final fantasy official memorial ultimania carlsen - May 15 2023

web die buchreihe memorial ultimania bietet den fans drei wahrlich ultimative großformatige enzyklopädien zu final fantasy mit vielen exklusiven illustrationen infos und produktionsnotizen final fantasy official memorial ultimania carlsen

final fantasy official memorial ultimania book vi 2022 new - Apr 02 2022

web final fantasy official memorial ultimania book 1 vii viii ix final fantasy ultimania archive volume 3 final fantasy xiv stormblood the art of the revolution eastern memories

final fantasy official memorial ultimania final fantasy official - Jun 04 2022

web final fantasy official memorial ultimania von jetzt online bestellen portofrei schnell zuverlässig kein mindestbestellwert individuelle rechnung 20 millionen titel hugendubel info die online buchhandlung für geschäftskund innen

final fantasy 25th memorial ultimania vol 3 book x xi xii xiii xi - Mar 01 2022

web jan 1 2012 this book feature the remembrance of the well known video game franchise that swept the entire world celebrating their 25th anniversary in the second volume it includes the final fantasy x to final fantasy xiv there are character designs story digest screen caps sketch works from the famous artist yoshitaka amano and more

final fantasy 25th memorial ultimania vol 2 art book - Jul 05 2022

web jan 1 2012 this book feature the remembrance of the well known video game franchise that swept the entire world celebrating their 25th anniversary in the second volume it includes the final fantasy vii to final fantasy ix there are character designs story digest screen caps sketch works from the famous artist yoshitaka amano and more

final fantasy viii ultimania final fantasy wiki fandom - Sep 07 2022

web the final fantasy viii ultimania is a book about final fantasy viii originally published in japan by digicube in 1999 and re released by square enix in 2006 the book is generally spoiler free and has no pictures of the final bosses who are simply referred to as last boss after selected

final fantasy official memorial ultimania x bis xiv official - Dec 10 2022

web 02 07 2024 weitere details weitere bände von final fantasy official memorial ultimania lasse christian christiansen final fantasy official memorial ultimania final fantasy official memorial ultimania vii bis ix buch 39 99

final fantasy official memorial ultimania final fantasy thalia - Mar 13 2023

web beschreibung final fantasy official memorial ultimania final fantasy official memorial ultimania final fantasy official memorial ultimania vii bis ix behandelt die spiele vii viii und ix buch gebundene ausgabe 39 99 inkl gesetzl mwst versandkostenfrei 2 artikel liefern lassen sofort lieferbar in den warenkorb click collect

[final fantasy ultimania archive](#) [final fantasy wiki fandom](#) - Sep 19 2023

web the final fantasy ultimania archive books are a series of guidebooks concerning the first fourteen titles of the final fantasy series the original japanese editions are titled the final fantasy 25th memorial ultimania and released in december 18 2012 25 years after the release of the original

final fantasy ultimania archive volume 1 amazon com - May 03 2022

web jul 24 2018 this is a quick review of the book from darkhorses latest production the final fantasy ultimania archive this book covers covers final fantasy 1 6 in various sections the various sections for all the final fantasy games are listed as follows 1 art 2 final fantasy insert number here story 3 characters 4 world 5 monsters 6

final fantasy official memorial ultimania book 1 vii viii ix - Jan 11 2023

web nov 27 2018 final fantasy official memorial ultimania book 1 vii viii ix behandelt die spiele vii viii und ix 9783551726889 amazon com books books

final fantasy official memorial ultimania book 2 i ii iii iv v vi - Oct 08 2022

web hardcover die rollenspielreihe final fantasy aus dem hause square enix hat massstäbe gesetzt und weltweit alle verkaufsrekorde gebrochen vor über 30 jahren erschien das erste spiel seitdem folgen regelmässig neue teile geremasterte versionen und spiele app editionen für smartphones

final fantasy vi the complete final fantasy wiki fandom - Aug 06 2022

web final fantasy vi the complete is a guide book for final fantasy vi published in september 1994 by ntt publishing it gives rich information about most areas of the game and is sometimes seen as the game s ultimania guide before ultimania were created

final fantasy official memorial ultimania book vi thegreenroute - Jan 31 2022

web essential book to re discover the universe of the mythical series final fantasy extract to celebrate one of the most important rpgs in the history of video games third editions has decided

list of square enix companion books wikipedia - Aug 18 2023

web the highest selling square enix companion books are final fantasy viii ultimania over 2 2 million copies and final fantasy x scenario ultimania over 1 million copies all of the books have been released solely in japanese but dark horse books published english translations of the three volume 2012 final fantasy 25th memorial ultimania as

[final fantasy official memorial ultimania final fantasy official](#) - Jul 17 2023

web die buchreihe memorial ultimania bietet den zahllosen fans drei wahrlich ultimative großformatige enzyklopädien zu final fantasy mit vielen exklusiven illustrationen infos und produktionsnotizen die erstauflage

[final fantasy official memorial ultimania amazon de](#) - Jun 16 2023

web aug 29 2023 final fantasy official memorial ultimania final fantasy official memorial ultimania i bis vi behandelt die spiele i ii iii iv v und vi christiansen lasse christian isbn 9783551726896 kostenloser versand für alle bücher mit versand und verkauf duch amazon

runner english edition by lizzy hawker - Aug 26 2021

english the kite runner french english edition the maze runner and the scorch trials the collector s edition lode runner c64 wiki runner sam dryden 1 by patrick lee blade runner

[opinion today s opinions speaker race aid to gazans and](#) - Jun 04 2022

1 day ago assistant editor october 18 2023 at 4 30 p m edt 5 min you re reading the today s opinions newsletter sign up to get it in your inbox in today s edition in the grim

runner definition in american english collins english dictionary - May 15 2023

2 days ago 1 countable noun a runner is a person who runs especially for sport or pleasure a marathon runner synonyms athlete miler sprinter harrier more synonyms of runner 2

at t lifts free cash flow outlook boosting stock the wall - Nov 28 2021

1 day ago at t s core cellphone business kept growing in the third quarter lifting revenue and spurring the company to raise its full year outlook for free cash flow shares down about 22

leonard allan cure killed in georgia traffic stop after being cnn - Apr 14 2023

oct 17 2023 a florida man who was exonerated after serving more than 16 years for a crime he did not commit was shot and killed by a deputy in georgia during a traffic stop according to a

runner english edition secure mowtampa org - Dec 30 2021

2 runner english edition 2022 07 29 friend with catastrophic results but years later he finds a way to redeem his guilt written by an experienced teacher this guide offers you background

[blockade runner board game boardgamegeek](#) - Jun 23 2021

blockade runner is a resource trading game in the euro style but with a dash of danger in blockade runner players take on the roles of entrepreneurs attempting to make the most

weather tracker storm babet leaves trail of destruction across - Mar 01 2022

9 hours ago as front moves north to batter uk coasts storm aline brings more heavy rain and strong winds to iberian peninsula

evaluation in the european commission rolling check list and - Apr 02 2022

oct 16 2023 this fifth edition of the eprs rolling check list evaluation in the european commission offers a comprehensive overview of planned ongoing and recently completed

runner english edition uniport edu ng - Nov 16 2020

may 21 2023 runner english edition 2 11 downloaded from uniport edu ng on may 21 2023 by guest afghanistan is a divided country on the verge of war and two childhood friends are about

george harrison review why his guitar gently wept wsj - Oct 08 2022

oct 20 2023 11 28 am et george harrison with eric clapton at left performing at the concert for bangladesh in august 1971 photo henry diltz getty images the paradoxes of george

runnerenglishedition - Jan 11 2023

in spy runner a noir mystery middle grade novel from newbery honor author eugene yelchin a boy stumbles upon a secret that jeopardizes american national security an unstoppable

jude bellingham is the game changer as england beat italy to - Jun 16 2023

oct 19 2023 key moments chosen by us to get you up to speed at a glance full time 3 1 england qualify for euro 2024 77 mins 3 1 goal kane does it all himself

jim jordan fails to win house speakership on first ballot - Jul 25 2021

oct 17 2023 the house gop conference selected jordan on friday as its latest speaker designee in a 124 81 vote over gop rep austin scott of georgia who made a surprise last

tesla hits the brakes on evs but not on ai wsj - Jul 05 2022

1 day ago illustration george downs the wall street journal after years of growing at breakneck speed tesla seems to be slowing down this is sensible but investors haven't

exp4bles 2023 the chosun ilbo english edition daily - Sep 07 2022

18 hours ago running time 103 min directed by scott waugh starring jason statham megan fox synopsis armed with every weapon they can get their hands on the

video rocket fired from gaza makes sharp turn back before - Oct 28 2021

1 day ago video from al jazeera appears to show a rocket fired from gaza make a sudden turn moments before a deadly blast was seen at the al ahli baptist hospital in gaza

october 15 2023 israel hamas war news cnn international - Nov 09 2022

oct 15 2023 israel has long accused iran of engaging in a form of proxy war by backing groups including hamas that have launched attacks on its shores iran has denied any

kevin sinfield urges england to rip into south africa in world - Jul 17 2023

34 minutes ago the england defence coach kevin sinfield has issued an impassioned rallying cry before his side s world cup semi final against south africa on saturday warning his

runner english edition wrbb neu edu - Dec 18 2020

runner english edition recognizing the artifice ways to acquire this ebook runner english edition is additionally useful you have remained in right site to begin getting this info get the

runner up definition and meaning collins english dictionary - May 03 2022

1 day ago runner up definition a runner up is someone who has finished in second place in a race or competition meaning pronunciation translations and examples

runner english edition uniport edu ng - Sep 14 2020

runner english edition 1 9 downloaded from uniport edu ng on july 4 2023 by guest runner english edition recognizing the pretension ways to acquire this books runner english

runner english edition aa vv 686744000126 ebay - Sep 26 2021

apr 19 2023 find many great new used options and get the best deals for runner english edition aa vv at the best online prices at ebay free shipping for many products

even lionel messi couldn t save a doomed american season - Feb 12 2023

oct 20 2023 6 00 am et the first season of inter miami s lionel messi project was all going to plan the greatest player of his generation ws banging in goals driving subscriptions to major

runner english edition uniport edu ng - Mar 21 2021

runner english edition 2 7 downloaded from uniport edu ng on july 30 2023 by guest the death cure james dashner 2012 08 01 the trials are over wicked have collected all the

england fans descend on paris with south africa favourites for - Dec 10 2022

3 hours ago t he gare du nord was awash with red rose jerseys home counties accents and hard headed pessimism throughout friday as england fans arrived in their droves for the

runner s world - Aug 18 2023

the online home of runner s world magazine running news training advice inspiring stories running shoe reviews gear tips and more

runner english edition by lizzy hawker - Feb 17 2021

sep 10 2023 runner 2014 imdb el país english edition secrets of the mexican ultra the maze runner and the scorch trials the collector s edition toyota brings back trail edition for 2021

gratis the kite runner english edition de khaled hosseini pdf - Apr 21 2021

mar 17 2020 gratis the kite runner english edition de khaled hosseini pdf epub mobi gratis lee ahora download the 1 new york times bestselling debut novel that introduced

runner definition meaning merriam webster - Aug 06 2022

runner noun one that runs racer base runner ballcarrier

runner english edition ignition4 customsforge com - May 23 2021

runner english edition 3 3 dangerous world enter the world of the maze runner series and never stop running the first and second books the maze runner and the scorch trials

runner english edition uniport edu ng - Oct 16 2020

may 13 2023 runner english edition 2 10 downloaded from uniport edu ng on may 13 2023 by guest is the son of a rich man and hassan is a lower caste servant amir betrays his friend

runner english edition uniport edu ng - Jan 19 2021

jul 2 2023 the kite runner khaled hosseini english edition editorial editorial atlantic 2015 06 10 the kite runner is the story of amir a sunni muslim who struggles to find his place in

[runner s world uk the uk s largest running website](#) - Sep 19 2023

the best dairy free milk alternatives welcome to runner s world uk a running destination featuring all the latest training plans injury advice gear reviews events nutrition advice and

the runner rotten tomatoes - Jan 31 2022

after a troubled young teen is busted for cocaine possession the police give him a choice cooperate or spend 10 years in prison as he s forced to confront a local drug kingpin his

runner definition and meaning collins english dictionary - Mar 13 2023

oct 17 2023 ˈrʌnər word forms plural runners 1 countable noun a runner is a person who runs especially for sport or pleasure a marathon runner i am a very keen runner and am

nicht gekauft hat er schon so denken top verkäufer live - Oct 04 2022

web nicht gekauft hat er schon so denken top verkäufer german edition ebook limbeck martin amazon com au kindle store

books similar to nicht gekauft hat er schon so denken top - Mar 29 2022

web said the nicht gekauft hat er schon so denken top verkaufe is universally compatible taking into account any devices to read ulysses james joyce 2022 10 19 loosely

[nicht gekauft hat er schon so denken top verkäufer live](#) - Aug 02 2022

web amazon de kaufen sie nicht gekauft hat er schon so denken top verkäufer cd dvd live mitschnitt der salesmasters and

friends günstig ein qualifizierte

nicht gekauft hat er schon so denken top verkäufer ebook - Feb 08 2023

web neuware 7 jahre 12 auflagen 60 000 verkaufte exemplare ein guter grund innezuhalten und mit sicherheit die beste gelegenheit für eine neuauflage martin limbeck hat mit

nicht gekauft hat er schon so denken top verkäufer - Oct 24 2021

web finden sie hilfreiche kundenrezensionen und rezensionsbewertungen für nicht gekauft hat er schon so denken top verkäufer auf amazon de lesen sie ehrliche und

nicht gekauft hat er schon so denken top verkäufer cd dvd - Jul 01 2022

web jan 26 2012 techniken für die richtige gesprächsführung die einwandbehandlung oder den abschluss können verkäufer erlernen und auch verbessern aber ohne die richtige

nicht gekauft hat er schon so denken top verkäufer - Jul 13 2023

web nicht gekauft hat er schon so denken top verkäufer limbeck martin isbn 9783868814903 kostenloser versand für alle bücher mit versand und verkauf duch

nicht gekauft hat er schon so denken top verkäufer - Jun 12 2023

web seit über 20 jahren begeistert er mit seinem insider know how und praxisnahen strategien mitarbeiter aus management und verkauf bis heute trat er bereits in mehr als 20

nicht gekauft hat er schon so denken top verkäufer - Aug 14 2023

web seit über 20 jahren begeistert er mit seinem insider know how und praxisnahen strategien mitarbeiter aus management und verkauf bis heute trat er bereits in mehr als 20

nicht gekauft hat er schon so denken top verkäufer by martin - Nov 24 2021

web nicht gekauft hat er schon so denken top verkäufer martin limbeck nina ruge isbn 9783868812886 kostenloser versand für alle bücher mit versand und verkauf

Übersetzung für ich habe es nicht gekauft im englisch - Jan 27 2022

web jun 4 2023 nicht gekauft hat er schon so denken top verkäufer live nicht gekauft hat er schon von martin limbeck bücher vortragsmitschnitt mp3 download nicht gekauft

nicht gekauft hat er schon so denken top verkäufer hardcover - Jan 07 2023

web finde hilfreiche kundenrezensionen und rezensionsbewertungen für nicht gekauft hat er schon so denken top verkäufer auf amazon de lese ehrliche und

nicht gekauft hat er schon so denken top verkäufer by martin - Dec 26 2021

web nicht gekauft hat er schon so denken top verkäufer by martin limbeck angesehen haben haben auch angesehen seite 1

von 1 zum anfang seite 1 von 1 diese

nicht gekauft hat er schon so denken top verkäufer european - Apr 29 2022

web nicht gekauft hat er schon so denken top verkäufer by martin limbeck 4 03 avg rating 38 ratings die geheimisse der top verkäufer martin limbeck bricht ein tabu Über

nicht gekauft hat er schon so denken top verkäufer german - Sep 03 2022

web nicht gekauft hat er schon so denken top verkäufer live mitschnitt der salesmasters and friends in köln limbeck martin amazon com tr

nicht gekauft hat er schon so denken top verkäufer - Apr 10 2023

web nicht gekauft hat er schon so denken top verkäufer ebook written by martin limbeck read this book using google play books app on your pc android ios devices

amazon de kundenrezensionen nicht gekauft hat er schon so - Sep 22 2021

nicht gekauft hat er schon so denken top verkäufer goodreads - May 11 2023

web jan 1 2011 die geheimisse der top verkäufer martin limbeck bricht ein tabu Über erfolg spricht man nicht doch martin limbeck ist anders er ist stolz auf seinen weg

nicht gekauft hat er schon so denken top verkäufer google play - Mar 09 2023

web sep 10 2018 nach 11 jahren 13 auflagen und über 60 000 verkauften exemplaren erscheint das erfolgreichste verkaufsbuch nicht gekauft hat er schon nun in einer

nicht gekauft hat er schon so denken top verkäufer hardcover - Nov 05 2022

web nicht gekauft hat er schon so denken top verkäufer live mitschnitt audible hörbuch ungekürzte ausgabe martin limbeck autor erzähler martin limbeck trainings

amazon de kundenrezensionen nicht gekauft hat er schon so - Dec 06 2022

web nicht gekauft hat er schon so denken top verkäufer amazon com au books skip to main content com au delivering to sydney 1171 sign in to update books select the

nicht gekauft hat er schon so denken top verkäufer live - May 31 2022

web doch man muss achtgeben dass man nicht von einer fetzigen formulierung zur nächsten hechtet und dabei die ernst gemeinten ratschläge überliest getabstract empfiehlt das

nicht gekauft hat er schon so denken top verkaufe sigmund - Feb 25 2022

web Übersetzung im kontext von ich habe es nicht gekauft in deutsch englisch von reverso context ich habe es nicht gekauft ich besitze das franchise nicht so spencer auf

