



KR 150 R3100 prime



Technical data

Maximum reach	3095 mm
Rated payload	150 kg
Rated supplementary load, rotating column / link arm / arm	0 kg / 0 kg / 50 kg
Rated total load	200 kg
Pose repeatability (ISO 9283)	± 0.06 mm
Number of axes	6
Mounting position	Floor
Footprint	830 mm x 830 mm
Weight	approx. 1114 kg

Axis data

Motion range	
A1	$\pm 185^\circ$
A2	$-140^\circ / -5^\circ$
A3	$-120^\circ / 155^\circ$
A4	$\pm 350^\circ$
A5	$\pm 125^\circ$
A6	$\pm 350^\circ$
Speed with rated payload	
A1	105 °/s
A2	107 °/s
A3	114 °/s
A4	179 °/s
A5	172 °/s
A6	219 °/s

Operating conditions

Ambient temperature during operation	10 °C to 55 °C (283 K to 328 K)
--------------------------------------	---------------------------------

Protection rating

Protection rating (IEC 60529)	IP65
Protection rating, in-line wrist (IEC 60529)	IP65

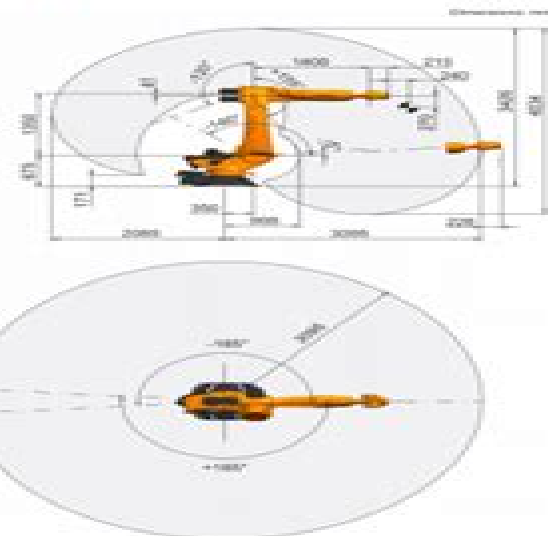
Controller

Controller KR C4

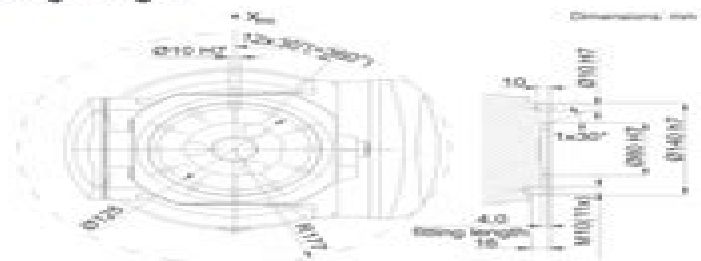
Teach pendant

Teach pendant KUKA smartPAD

Workspace graphic



Mounting flange



Kuka Kr 150 Manual

DJ Losen



Kuka Kr 150 Manual:

August 2022 - Surplus Record Machinery & Equipment Directory Surplus Record,2022-08-01 SURPLUS RECORD is the leading independent business directory of new and used capital equipment machine tools machinery and industrial equipment listing over 95 000 industrial assets including metalworking and fabricating machine tools chemical and process equipment cranes air compressors pumps motors circuit breakers generators transformers turbines and more Over 1 100 businesses list with the SURPLUS RECORD August 2022 issue Vol 99 No 8

Flexible Manufacture of Lightweight Frame Structures, 2006 Matthias Kleiner,Jürgen Fleischer,Michael F. Zaeh,Marco Schikorra,2006-02-15 Integrated manufacturing of lightweight components is of increasing importance for production engineering in today s industrial climate Due to the market s need for high geometrical flexibility combined with small batch sizes and short production cycles the requirements of customers are becoming increasingly stringent

Advances in Automotive Production Technology - Theory and Application Philipp Weißgraeber,Frieder Heieck,Clemens Ackermann,2021-06-01 This volume of the series ARENA2036 compiles the outcomes of the first Stuttgart Conference on Automotive Production SCAP2020 It contains peer reviewed contributions from a theoretical as well as practical vantage point and is topically structured according to the following four sections It discusses I Novel Approaches for Efficient Production and Assembly Planning II Smart Production Systems and Data Services III Advances in Manufacturing Processes and Materials and IV New Concepts for Autonomous Collaborative Intralogistics Given the restrictive circumstances of 2020 the conference was held as a fully digital event divided into two parts It opened with a pre week allowing everyone to peruse the scientific contributions at their own pace followed by a two day live event that enabled experts from the sciences and the industry to engage in various discussions The conference has proven itself as an insightful forum that allowed for an expertly exchange regarding the pivotal Advances in Automotive Production and Technology

May 2022 - Surplus Record Machinery & Equipment Directory Surplus Record,2022-05-01 SURPLUS RECORD is the leading independent business directory of new and used capital equipment machine tools machinery and industrial equipment listing over 95 000 industrial assets including metalworking and fabricating machine tools chemical and process equipment cranes air compressors pumps motors circuit breakers generators transformers turbines and more Over 1 100 businesses list with the SURPLUS RECORD May 2022 issue Vol 99 No 5

Modelling Behaviour Mette Ramsgaard Thomsen,Martin Tamke,Christoph Gengnagel,Billie Faircloth,Fabian Scheurer,2015-11-12 This book reflects and expands on the current trend in the building industry to understand simulate and ultimately design buildings by taking into consideration the interlinked elements and forces that act on them This approach overcomes the traditional exclusive focus on building tasks while posing new challenges in all areas of the industry from material and structural to the urban scale Contributions from invited experts papers and case studies provide the reader with a comprehensive overview of the field as well as perspectives from related disciplines such as computer science The chapter

authors were invited speakers at the 5th Symposium Modelling Behaviour which took place at the CITA in Copenhagen in September 2015 Advances in Production Management Systems. Competitive Manufacturing for Innovative Products and Services Christos Emmanouilidis, Marco Taisch, Dimitris Kiritsis, 2013-08-13 The two volumes IFIP AICT 397 and 398 constitute the thoroughly refereed post conference proceedings of the International IFIP WG 5.7 Conference on Advances in Production Management Systems APMS 2012 held in Rhodes Greece in September 2012 The 182 revised full papers were carefully reviewed and selected for inclusion in the two volumes They are organized in 6 parts sustainability design manufacturing and production management human factors learning and innovation ICT and emerging technologies in production management product and asset lifecycle management and services supply chains and operations *Handbook of Valves and Actuators* Brian Nesbitt, 2011-04-19 Industries that use pumps seals and pipes will also use valves and actuators in their systems This key reference provides anyone who designs uses specifies or maintains valves and valve systems with all of the critical design specification performance and operational information they need for the job in hand Brian Nesbitt is a well known consultant with a considerable publishing record A lifetime of experience backs up the huge amount of practical detail in this volume Valves and actuators are widely used across industry and this dedicated reference provides all the information plant designers specifiers or those involved with maintenance require Practical approach backed up with technical detail and engineering know how makes this the ideal single volume reference Compares and contrasts valve and actuator types to ensure the right equipment is chosen for the right application and properly maintained **Fabricate** Achim Menges, Bob Sheil, Ruairi Glynn, Marilena Skavara, 2017-04-03 Bringing together pioneers in design and making within architecture construction engineering manufacturing materials technology and computation Fabricate is a triennial international conference now in its third year ICD University of Stuttgart April 2017 The 2017 edition features 32 illustrated articles on built projects and works in progress from academia and practice including contributions from leading practices such as Foster Partners Zaha Hadid Architects Arup and Ron Arad and from world renowned institutions including ICD Stuttgart Harvard Yale MIT Princeton University The Bartlett School of Architecture UCL and the Architectural Association Each year it produces a supporting publication to date the only one of its kind specialising in Digital Fabrication **World Robotics** ,1998 **PRODUCTS & SERVICES** ,2005

Thank you certainly much for downloading **Kuka Kr 150 Manual**. Most likely you have knowledge that, people have look numerous times for their favorite books gone this Kuka Kr 150 Manual, but end stirring in harmful downloads.

Rather than enjoying a good PDF like a mug of coffee in the afternoon, otherwise they juggled when some harmful virus inside their computer. **Kuka Kr 150 Manual** is nearby in our digital library an online entry to it is set as public correspondingly you can download it instantly. Our digital library saves in compound countries, allowing you to get the most less latency period to download any of our books considering this one. Merely said, the Kuka Kr 150 Manual is universally compatible taking into consideration any devices to read.

https://staging.conocer.cide.edu/book/uploaded-files/default.aspx/Mercury_Owners_Manual_.pdf

Table of Contents Kuka Kr 150 Manual

1. Understanding the eBook Kuka Kr 150 Manual
 - The Rise of Digital Reading Kuka Kr 150 Manual
 - Advantages of eBooks Over Traditional Books
2. Identifying Kuka Kr 150 Manual
 - Exploring Different Genres
 - Considering Fiction vs. Non-Fiction
 - Determining Your Reading Goals
3. Choosing the Right eBook Platform
 - Popular eBook Platforms
 - Features to Look for in an Kuka Kr 150 Manual
 - User-Friendly Interface
4. Exploring eBook Recommendations from Kuka Kr 150 Manual
 - Personalized Recommendations
 - Kuka Kr 150 Manual User Reviews and Ratings
 - Kuka Kr 150 Manual and Bestseller Lists

5. Accessing Kuka Kr 150 Manual Free and Paid eBooks
 - Kuka Kr 150 Manual Public Domain eBooks
 - Kuka Kr 150 Manual eBook Subscription Services
 - Kuka Kr 150 Manual Budget-Friendly Options
6. Navigating Kuka Kr 150 Manual eBook Formats
 - ePub, PDF, MOBI, and More
 - Kuka Kr 150 Manual Compatibility with Devices
 - Kuka Kr 150 Manual Enhanced eBook Features
7. Enhancing Your Reading Experience
 - Adjustable Fonts and Text Sizes of Kuka Kr 150 Manual
 - Highlighting and Note-Taking Kuka Kr 150 Manual
 - Interactive Elements Kuka Kr 150 Manual
8. Staying Engaged with Kuka Kr 150 Manual
 - Joining Online Reading Communities
 - Participating in Virtual Book Clubs
 - Following Authors and Publishers Kuka Kr 150 Manual
9. Balancing eBooks and Physical Books Kuka Kr 150 Manual
 - Benefits of a Digital Library
 - Creating a Diverse Reading Collection Kuka Kr 150 Manual
10. Overcoming Reading Challenges
 - Dealing with Digital Eye Strain
 - Minimizing Distractions
 - Managing Screen Time
11. Cultivating a Reading Routine Kuka Kr 150 Manual
 - Setting Reading Goals Kuka Kr 150 Manual
 - Carving Out Dedicated Reading Time
12. Sourcing Reliable Information of Kuka Kr 150 Manual
 - Fact-Checking eBook Content of Kuka Kr 150 Manual
 - Distinguishing Credible Sources
13. Promoting Lifelong Learning

- Utilizing eBooks for Skill Development
 - Exploring Educational eBooks
14. Embracing eBook Trends
- Integration of Multimedia Elements
 - Interactive and Gamified eBooks

Kuka Kr 150 Manual Introduction

In the digital age, access to information has become easier than ever before. The ability to download Kuka Kr 150 Manual has revolutionized the way we consume written content. Whether you are a student looking for course material, an avid reader searching for your next favorite book, or a professional seeking research papers, the option to download Kuka Kr 150 Manual has opened up a world of possibilities. Downloading Kuka Kr 150 Manual provides numerous advantages over physical copies of books and documents. Firstly, it is incredibly convenient. Gone are the days of carrying around heavy textbooks or bulky folders filled with papers. With the click of a button, you can gain immediate access to valuable resources on any device. This convenience allows for efficient studying, researching, and reading on the go. Moreover, the cost-effective nature of downloading Kuka Kr 150 Manual has democratized knowledge. Traditional books and academic journals can be expensive, making it difficult for individuals with limited financial resources to access information. By offering free PDF downloads, publishers and authors are enabling a wider audience to benefit from their work. This inclusivity promotes equal opportunities for learning and personal growth. There are numerous websites and platforms where individuals can download Kuka Kr 150 Manual. These websites range from academic databases offering research papers and journals to online libraries with an expansive collection of books from various genres. Many authors and publishers also upload their work to specific websites, granting readers access to their content without any charge. These platforms not only provide access to existing literature but also serve as an excellent platform for undiscovered authors to share their work with the world. However, it is essential to be cautious while downloading Kuka Kr 150 Manual. Some websites may offer pirated or illegally obtained copies of copyrighted material. Engaging in such activities not only violates copyright laws but also undermines the efforts of authors, publishers, and researchers. To ensure ethical downloading, it is advisable to utilize reputable websites that prioritize the legal distribution of content. When downloading Kuka Kr 150 Manual, users should also consider the potential security risks associated with online platforms. Malicious actors may exploit vulnerabilities in unprotected websites to distribute malware or steal personal information. To protect themselves, individuals should ensure their devices have reliable antivirus software installed and validate the legitimacy of the websites they are downloading from. In conclusion, the ability to download Kuka Kr 150 Manual has transformed the way we access information. With the convenience, cost-

effectiveness, and accessibility it offers, free PDF downloads have become a popular choice for students, researchers, and book lovers worldwide. However, it is crucial to engage in ethical downloading practices and prioritize personal security when utilizing online platforms. By doing so, individuals can make the most of the vast array of free PDF resources available and embark on a journey of continuous learning and intellectual growth.

FAQs About Kuka Kr 150 Manual Books

How do I know which eBook platform is the best for me? Finding the best eBook platform depends on your reading preferences and device compatibility. Research different platforms, read user reviews, and explore their features before making a choice. Are free eBooks of good quality? Yes, many reputable platforms offer high-quality free eBooks, including classics and public domain works. However, make sure to verify the source to ensure the eBook credibility. Can I read eBooks without an eReader? Absolutely! Most eBook platforms offer webbased readers or mobile apps that allow you to read eBooks on your computer, tablet, or smartphone. How do I avoid digital eye strain while reading eBooks? To prevent digital eye strain, take regular breaks, adjust the font size and background color, and ensure proper lighting while reading eBooks. What the advantage of interactive eBooks? Interactive eBooks incorporate multimedia elements, quizzes, and activities, enhancing the reader engagement and providing a more immersive learning experience. Kuka Kr 150 Manual is one of the best book in our library for free trial. We provide copy of Kuka Kr 150 Manual in digital format, so the resources that you find are reliable. There are also many Ebooks of related with Kuka Kr 150 Manual. Where to download Kuka Kr 150 Manual online for free? Are you looking for Kuka Kr 150 Manual PDF? This is definitely going to save you time and cash in something you should think about. If you trying to find then search around for online. Without a doubt there are numerous these available and many of them have the freedom. However without doubt you receive whatever you purchase. An alternate way to get ideas is always to check another Kuka Kr 150 Manual. This method for see exactly what may be included and adopt these ideas to your book. This site will almost certainly help you save time and effort, money and stress. If you are looking for free books then you really should consider finding to assist you try this. Several of Kuka Kr 150 Manual are for sale to free while some are payable. If you arent sure if the books you would like to download works with for usage along with your computer, it is possible to download free trials. The free guides make it easy for someone to free access online library for download books to your device. You can get free download on free trial for lots of books categories. Our library is the biggest of these that have literally hundreds of thousands of different products categories represented. You will also see that there are specific sites catered to different product types or categories, brands or niches related with Kuka Kr 150 Manual. So depending on what exactly you are searching, you will be able to choose e books to suit your own need. Need to access

completely for Campbell Biology Seventh Edition book? Access Ebook without any digging. And by having access to our ebook online or by storing it on your computer, you have convenient answers with Kuka Kr 150 Manual To get started finding Kuka Kr 150 Manual, you are right to find our website which has a comprehensive collection of books online. Our library is the biggest of these that have literally hundreds of thousands of different products represented. You will also see that there are specific sites catered to different categories or niches related with Kuka Kr 150 Manual So depending on what exactly you are searching, you will be able to choose ebook to suit your own need. Thank you for reading Kuka Kr 150 Manual. Maybe you have knowledge that, people have search numerous times for their favorite readings like this Kuka Kr 150 Manual, but end up in harmful downloads. Rather than reading a good book with a cup of coffee in the afternoon, instead they juggled with some harmful bugs inside their laptop. Kuka Kr 150 Manual is available in our book collection an online access to it is set as public so you can download it instantly. Our digital library spans in multiple locations, allowing you to get the most less latency time to download any of our books like this one. Merely said, Kuka Kr 150 Manual is universally compatible with any devices to read.

Find Kuka Kr 150 Manual :

mercury owners manual

merry in love billionaires in love book english edition

[merlin bis 10 user manual](#)

mettler toledo 8442 user manual

metallica guitar tablatures vol 5

mettler toledo ind429 calibration manual

~~mettler toledo panther technical manual~~

mercury villager factory service manual

[metso crusher maintenance manual](#)

mettler toledo 8450 scale manual

[metamorphosis pt 2 study guide answers](#)

[mf 12 square baler manual](#)

merry tiller professional manual

~~metro service center watch repair form~~

meritor differential lock manual

Kuka Kr 150 Manual :

the shape of poetry a practical guide to writing and reading poems - Aug 20 2023

web jan 16 2012 the shape of poetry a practical guide to writing and reading poems meinke peter meinke jeanne clark 9781597320962 amazon com books books

the shape of poetry a practical guide to writing poetry meinke - Mar 15 2023

web abebooks com the shape of poetry a practical guide to writing poetry 9780871161864 by meinke peter and a great selection of similar new used and collectible books available now at great prices the shape of poetry a practical guide to writing poetry meinke peter 9780871161864 abebooks

the shape of poetry a practical guide to writing poetry - Jul 19 2023

web the shape of poetry a practical guide to writing poetry paperback january 1 2000 by peter meinke author 4 2 4 2 out of 5 stars 10 ratings

the shape of poetry a practical guide to writing p pdf full pdf - Apr 04 2022

web john lennard 1996 the poetry handbook is a lucid and practical guide to the poet s craft there are chapters on metre form layout lineation punctuation rhyme diction syntax history biography and gender as well

shadow poetry poetry types shape poetry - Jun 06 2022

web shape poetry shape poetry is also associated with concrete poetry shape is one of the main things that separate prose and poetry poetry can take on many formats but one of the most inventive forms is for the poem to take on the shape of its subject therefore if the subject of your poem were of a flower then the poem would be shaped

the shape of poetry a practical guide to writing poetry - Apr 16 2023

web buy the shape of poetry a practical guide to writing poetry by meinke peter isbn 9780977808656 from amazon s book store everyday low prices and free delivery on eligible orders

shape poetry practical guide first edition abebooks - Oct 10 2022

web the shape of poetry a practical guide to writing poetry by meinke peter and a great selection of related books art and collectibles available now at abebooks com

the shape of poetry a practical guide to writing poetry - Sep 21 2023

web may 15 2008 focusing on the foundations of poetry this reference teaches aspiring poets the mechanics of writing verse offering advice on the abstract poetic notions what makes good poetry the meaning and inspirations of poetry and the concrete how to start a poem how to craft its shape and how to use the various poetic forms this

the shape of poetry a practical guide to writing poetry meinke - Oct 22 2023

web the shape of poetry a practical guide to writing poetry meinke peter amazon sg books

[the shape of poetry a practical guide to writing poetry alibris](#) - May 17 2023

web the shape of poetry a practical guide to writing poetry by peter meinke write the first customer review filter results shipping composition creative writing poetry authorship focusing on the foundations of poetry this reference teaches aspiring poets the mechanics of writing verse

[the shape of poetry a practical guide to writing poetry by peter](#) - Nov 11 2022

web the shape of poetry a practical guide to writing poetry by peter meinke used good paperback condition good isbn 10 0871161869 isbn 13 9780871161864 seller

[peter meinke the shape of poetry a practical guide to writing](#) - Sep 09 2022

web the shape of poetry a practical guide to writing poetry author peter meinke isbn 0977808653 9780977808656 format paperback size 155x230mm pages 177 weight 29 kg published ipg jefferson press september 2007 availability in print subjects creative writing creative writing guides focusing on the foundations

[how to write a shape poem 9 examples of shape poems](#) - May 05 2022

web sep 28 2021 a shape poem is written in the physical shape of an object that is related to the subject of the poem learn about more examples of shape poetry and how to write a shape poem below

the shape of poetry a practical guide to writing poetry by peter - Aug 08 2022

web concentrate on which foundations of poetry this reference teaches aspiring poets the mechanics of the shape of poetry a practical guide to writing poetry by peter meinke goodreads the shape of poetry a practical guide to writing and reading

the shape of poetry a practical guide to writing poetry - Feb 14 2023

web jan 15 1997 isbn 9780977808656 1st edition softcover jefferson press lookout mountain tn 2008 condition fine copy 8vo 177 pp the shape of poetry a practical guide to writing poetry

the shape of poetry a practical guide to writing poetry - Dec 12 2022

web focusing on the foundations of poetry this reference teaches aspiring poets the mechanics of writing verse offering advice on the abstract poetic notions what makes good poetry the meaning and inspirations of poetry and the concrete how to start a poem how to craft its shape and how to use the various poetic forms this concise and insightful

the shape of poetry a practical guide to writing poetry - Jun 18 2023

web worldcat is the world's largest library catalog helping you find library materials online

[the shape of poetry a practical guide to writing poetry by](#) - Jul 07 2022

web rockets practical criticism definition of practical criticism by the shape of poetry a practical guide to writing and reading elective poetry mr griggs's website the poetry home repair manual practical advice for the shapes of things a practical guide to differential reading latin poetry aloud a practical guide to two customer reviews

[the shape of poetry a practical guide to writing and](#) - Jan 13 2023

web abebooks com the shape of poetry a practical guide to writing and reading poems 9781597320962 by meinke peter and a great selection of similar new used and collectible books available now at great prices

the shape of poetry a practical guide to writing p 2022 - Mar 03 2022

web the shape of poetry a practical guide to writing p 1 the shape of poetry a practical guide to writing p meow ruff doodle dandies shape me a rhyme shape poetry macy mcmillan and the rainbow goddess for the ride ode to a commode the life of poetry arrow call us what we carry poetry the shape of meaning in the poetry of

[selected studies for bb clarinet pdf scribd](#) - Jul 14 2023

web selected studies for bb clarinet pdf 100 6 3k views 76 pages selected studies for bb clarinet original title kupdf net selected studies for bb clarinet uploaded by tudor manis description clarinet studies copyright all rights reserved available formats download as pdf or read online from scribd flag for inappropriate content

selected studies for clarinet by himie voxman groth music - Aug 03 2022

web shop and buy selected studies for clarinet by himie voxman in sheet music at groth music published by rubank catalog number 04470670 isbn 073999706703

selected studies for clarinet voxman recordings tom heimer - Sep 04 2022

web selected studies for clarinet voxman recordings recognizing the showing off ways to acquire this books selected studies for clarinet voxman recordings is additionally useful you have remained in right site to start getting this info get the selected studies for clarinet voxman recordings associate that we offer here and check out the link

clarinet selected studies voxman youtube - Jun 13 2023

web share your videos with friends family and the world

classical studies for clarinet sheet music plus - Jan 08 2023

web this wonderful set of studies presents the solo sonatas partitas and suites of j s bach and g f handel for unaccompanied violin and cello arranged by master teacher h voxman they provide the serious student a wealth of fine music well suited to the study of phrasing and articulation and unlimited possibilities in the development of

selected studies for clarinet advanced etudes scales and - Apr 11 2023

web voxman himie selected studies for clarinet advanced etudes scales and arpeggios in all major and minor keys chicago rubank inc 1942 mla citation style guide

[selected studies for clarinet voxman himie voxman copy](#) - Dec 27 2021

web selected studies for clarinet voxman if you ally dependence such a referred selected studies for clarinet voxman ebook that will give you worth acquire the completely best seller from us currently from several preferred authors

[selected studies for clarinet voxman recordings pdf full pdf](#) - Aug 15 2023

web the book provides a detailed review and analysis of construction design materials and makers of clarinets rice also explores how clarinet construction and performance practice developed in tandem with the musical styles of the period
selected studies

[selected studies for clarinet by h voxman goodreads](#) - Oct 05 2022

web these excellent studies are the next step for students who have completed the advanced level method for their instrument the full page etudes in this series key centered and supported by scale and arpeggio exercises take the student to that next level of performance wherein their accumulated skills allow them to play full length performance

selected studies for clarinet by h voxman editor alibris - Jul 02 2022

web buy selected studies for clarinet by h voxman editor online at alibris we have new and used copies available in 1 editions starting at 4 99 shop now

selected studies for clarinet howard voxman rubank - Jun 01 2022

web selected studies for clarinet clarinet howard voxman isbn 9781423445258 your number one expert in sheet music musical accessories with stores in antwerp and leuven

selected studies for clarinet by h voxman paperback barnes - Dec 07 2022

web selected studies for clarinet by h voxman editor paperback 8 99 ship this item qualifies for free shipping pick up in store check availability at nearby stores instant purchase usually ships within 6 days reserve now pay

selected studies for clarinet voxman recordings pdf - Mar 30 2022

web reach not discover the publication selected studies for clarinet voxman recordings that you are looking for it will very squander the time however below in the same way as you visit this web page it will be fittingly unquestionably simple to get as competently as download lead selected studies for clarinet voxman recordings it will not put

selected studies for clarinet voxman book - May 12 2023

web concert solo oboe arr clarinet piano by h voxman r p block jun 24 2020 classical studies for clarinet mar 26 2023 woodwind method this wonderful set of studies presents the solo sonatas partitas and suites of j s bach and g f handel for unaccompanied violin and cello arranged by master teacher h voxman

selected studies for clarinet rubank educational library - Mar 10 2023

web mar 1 1989 the full page etudes in this series key centered and supported by scale and arpeggio exercises take the student to that next level of performance wherein their accumulated skills allow them to play full length performance pieces with a high level of musicianship and competence

[selected studies for clarinet voxman pdf free](#) - Jan 28 2022

web recordings stream or download and printable piano accompaniments hl04002516 contents adagio and allegro from sonata no 6 handel allegretto arensky contradance mozart first concertino guilhaud gigue from partita iii bach menuetto and presto from trio v haydn

biblio selected studies for clarinet by h voxman editor - Apr 30 2022

web find the best prices on selected studies for clarinet by h voxman editor at biblio paperback 1989 rubank publications 9781423445258

pdf selected studies for clarinet voxman recordings - Feb 09 2023

web selected studies for clarinet voxman recordings 416 studies for clarinet may 14 2022 forty studies for the clarinet jun 15 2022 32 etudes and 40 studies for clarinet nov 08 2021 musical score 48 studies for clarinet dec 21 2022 40 studies for clarinet bk 1 studies 1 20 jan 30 2021

selected studies for clarinet voxman himie voxman book - Feb 26 2022

web taught many famous clarinet players such as louis cahuzac paul jean manuel gomez francisco gomez henri lefèbvre henri paradis henri selmer and alexandre selmer selected studies for clarinet advanced etudes scales and arpeggios himie voxman 1942 band director s complete handbook donald e bollinger 1979 selected studies

read free selected studies for clarinet voxman - Nov 06 2022

web selected studies for clarinet voxman sixteen modern edutes for clarinet feb 08 2022 from the baroque jan 19 2023 ensemble collection this new rubank edition is the first new book from the incomparable himie voxman in decades it includes 38 duets for clarinet from the works of wilhelm friedemann bach jean marie leclair and georg

microsoft access 2010 die offizielle schulungsunterlage 77 885 - Feb 10 2023

web einleitung an immer mehr arbeitsplätzen ist der professionelle umgang mit microsoft office produkten ein absolutes muss diese schulungsunterlage hilft ihnen das programm microsoft access 2010 in den selection from microsoft access 2010 die offizielle schulungsunterlage 77 885 book

microsoft access 2010 die offizielle schulungsunterlage für das - Jul 03 2022

web die offizielle schulungsunterlage zu access 2010 wurde von microsoft für alle anwender entwickelt die im rahmen einer trainingsmaßnahme den effizienten umgang mit microsoft office produkten erlernen möchten durch den ausgereiften didaktischen

microsoft access 2010 die offizielle schulungsunt pdf pdf - Nov 07 2022

web microsoft access 2010 die offizielle schulungsunt pdf introduction microsoft access 2010 die offizielle schulungsunt pdf pdf

microsoft access 2010 die offizielle schulungsunt copy - Jan 29 2022

web microsoft access 2010 die offizielle schulungsunt 1 1 downloaded from uniport edu ng on may 21 2023 by guest
microsoft access 2010 die offizielle schulungsunt as recognized adventure as skillfully as experience not quite lesson
amusement as with ease as understanding can be gotten by just checking out a books microsoft access 2010 die

microsoft access 2010 die offizielle schulungsunterlage für das - Jun 14 2023

web microsoft access 2010 die offizielle schulungsunterlage für das mos examen 77 885 kolberg michael isbn
9783866450738 kostenloser versand für alle bücher mit versand und verkauf duch amazon

veritabanı yazılım ve uygulamaları microsoft access - Jan 09 2023

web microsoft access 2019 bir kerelik satın alımla sağlanan en son access sürümüdür Önceki sürümler access 2016 access
2013 access 2010 access 2007 ve access 2003 tür access 2019 windows 11 ile uyumludur

microsoft access 2010 die offizielle schulungsunt pdf pdf - Oct 06 2022

web microsoft access 2010 die offizielle schulungsunt pdf is available in our digital library an online access to it is set as
public so you can download it instantly our book servers saves in multiple countries allowing you to get the most less latency
time to download any of our books like this one

microsoft access 2010 die offizielle schulungsunt pdf free - Feb 27 2022

web psychological symphony within microsoft access 2010 die offizielle schulungsunt pdf in some sort of eaten by screens
and the ceaseless chatter of fast transmission the melodic elegance and emotional symphony developed by the prepared
word often fade in to the back ground eclipsed by the persistent noise and distractions that permeate our

microsoft access 2010 das offizielle trainingsbuch - Dec 08 2022

web microsoft access 2010 das offizielle trainingsbuch jubiläumsausgabe zum sonderpreis cox lambert schnell und portofrei
erhältlich bei beck shop de die fachbuchhandlung thematische gliederung

microsoft access 2010 die offizielle schulungsunt pdf pdf - Aug 16 2023

web microsoft access 2010 die offizielle schulungsunt pdf pdf features kualumni org created date 9 5 2023 9 21 49 am

microsoft access 2010 die offizielle schulungsunt 2023 - Aug 04 2022

web cloud bietet ihnen dieses handbuch umfassendes wissen zur datenbankprogrammierung für die access versionen 2010
bis 2016 grundlagen und praxiswissen einsteiger mit vorkenntnissen erhalten im ersten teil eine fundierte einföhrung in die
datenbankprogrammierung mit access unter verwendung von makros und vba

microsoft access 2010 die offizielle schulungsunterlage 77 885 - May 13 2023

web get full access to microsoft access 2010 die offizielle schulungsunterlage 77 885 and 60k other titles with free 10 day
trial of o reilly there s also live online events interactive content certification prep materials and more

microsoft access 2010 die offizielle schulungsunt pdf book - Sep 05 2022

web mar 17 2023 1 microsoft access 2010 die offizielle schulungsunt pdf if you ally obsession such a referred microsoft access 2010 die offizielle schulungsunt pdf book that will come up with the money for you worth acquire the agreed best seller from us currently from several preferred authors

microsoft access 2010 die offizielle schulungsunt - Jun 02 2022

web 2 microsoft access 2010 die offizielle schulungsunt 2021 10 08 trainingsmanahme den effizienten umgang mit microsoft office produkten erlernen mochten durch den ausgereiften didaktischen aufbau le set v s publishers if you want to learn how to use microsoft access 2010 then get how to use microsoft access 2010 which is a step

microsoft access 2010 die offizielle schulungsunt pdf prislapro - Dec 28 2021

web microsoft access 2010 die offizielle schulungsunt pdf when people should go to the ebook stores search opening by shop shelf by shelf it is really it will no question ease you to see guide microsoft access 2010 die offizielle schulungsunt pdf as you such as by searching the title publisher or authors of guide you essentially want you

microsoft access 2010 1pc 1user amazon de software - May 01 2022

web produktbeschreibung nachverfolgung berichtserstellung und freigabe wichtiger informationen mit sofort einsatzbereiten vorlagen und leistungsfähigen tools die auch bei wachsender datenmenge nichts von ihrer leistungsfähigkeit einbüßen ist einfachheit bei microsoft access 2010 programm mit access 2010 können sie ihre daten optimal

microsoft access 2010 die offizielle schulungsunterlage 77 885 - Mar 11 2023

web abschlusstest nachdem sie die vorherigen lektionen durchgearbeitet haben sollten sie in der lage sein microsoft access 2010 in seinen wesentlichsten funktionen zu bedienen um dieses wissen zu selection from microsoft access 2010 die offizielle schulungsunterlage 77 885 book

microsoft access 2010 die offizielle schulungsunt pdf - Mar 31 2022

web likewise accomplish not discover the statement microsoft access 2010 die offizielle schulungsunt pdf that you are looking for it will extremely squander the time however below gone you visit this web page it will be suitably extremely simple to acquire as capably as download lead microsoft access 2010 die offizielle schulungsunt pdf it

microsoft access 2010 die offizielle schulungsunterlage 77 885 - Jul 15 2023

web get full access to microsoft access 2010 die offizielle schulungsunterlage 77 885 and 60k other titles with a free 10 day trial of o reilly there are also live events courses curated by job role and more

videoschulung für access microsoft support - Apr 12 2023

web erkunden sie die abonnementvorteile durchsuchen sie trainingskurse erfahren sie wie sie ihr gerät schützen und vieles mehr