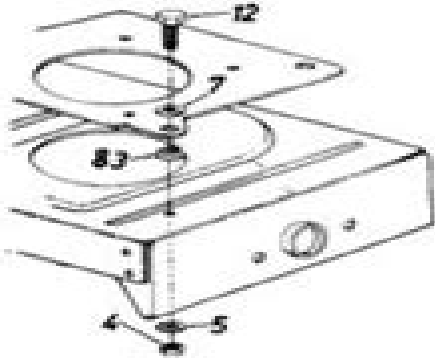
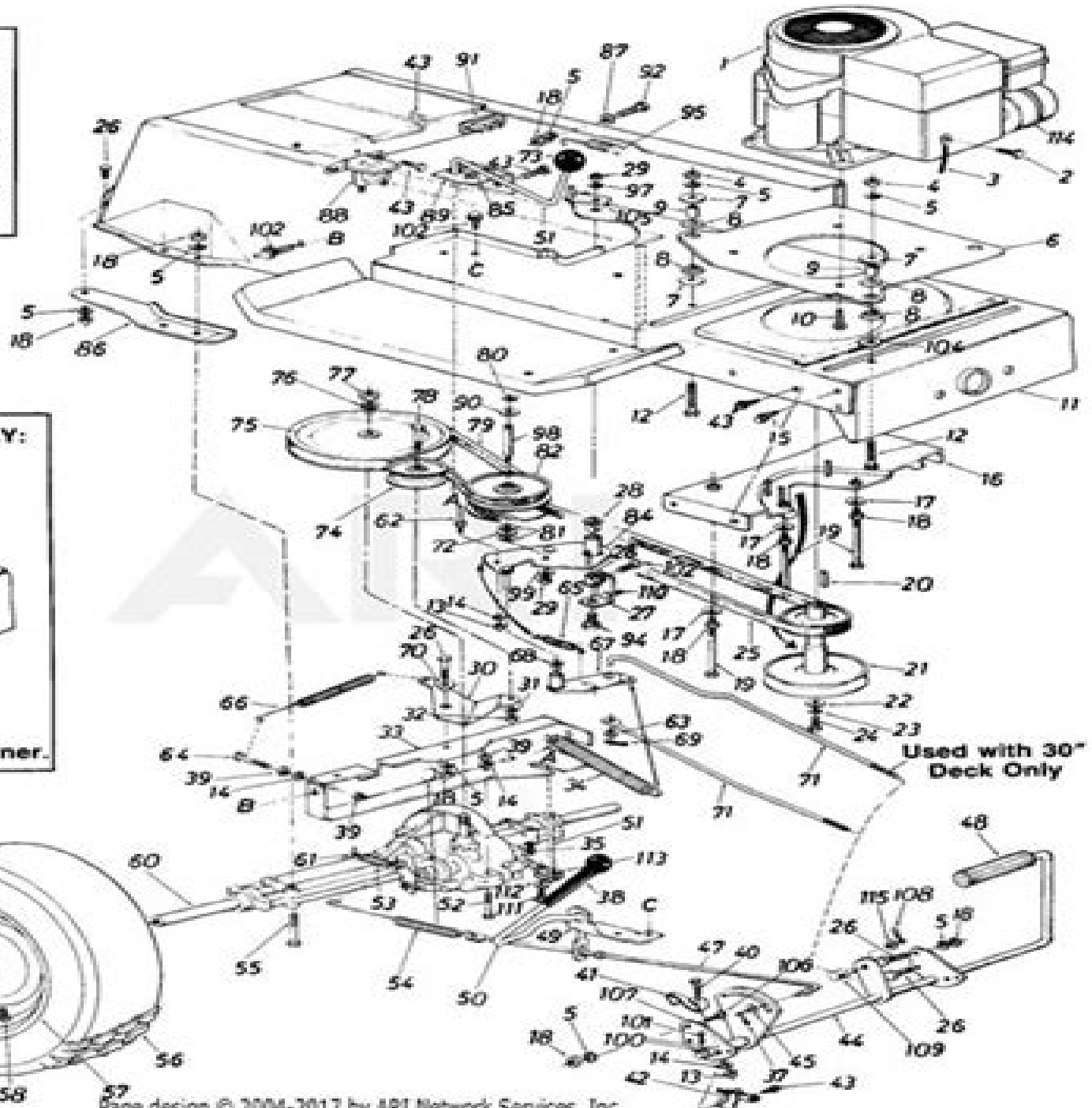


IMPORTANT: Use only Original Equipment Manufacturer (O.E.M.) V-belts when replacing belts. They are of special construction (type of cord, cord location, length, etc.). Use of V-belts other than O.E.M. belts generally will provide only temporary service. For best results, use only factory approved parts.

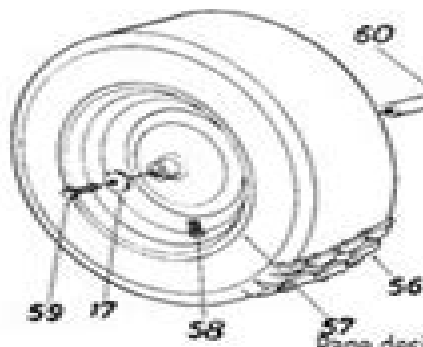
TECUMSEH ENGINES ONLY:



Hardware for right front corner.



Used with 30" Deck Only



Lesco Zero Two Mower Manual

**Sperry Rand Corporation. New Holland
Division**



Lesco Zero Two Mower Manual:

Hydraulics & Pneumatics ,1988 The Jan 1956 issue includes Fluid power engineering index 1931 55 **The Advertising Red Books** ,2008-07 Southern Golf ,1987 **F&S Index United States Annual** ,1999 *Operator's Manual and Parts List; Mower, 85* White Motor Corporation,White Farm Equipment Co,Oak Brook (Ill.),Brantford (Ont.),1980
 The Lawn Mower Manual John L. Ryan,2005 *Operator's Manual, Setting Up Instructions : International No. 110*
Balanced Mower International Harvester Company,1961* *Rear Attached Mower, Series 501* ,1969 **Toro Proline Hydrostatic: Commercial Walk-Behind Mowers, 1990 & Later (Lawn Mower)** Penton Staff,2000-05-24 Toro Proline commercial walk behind mowers produced from 1990 2001 manual New Holland 435 Disc Mower Sperry Rand Corporation. New Holland Division,1973

Eventually, you will definitely discover a additional experience and talent by spending more cash. nevertheless when? do you acknowledge that you require to acquire those every needs with having significantly cash? Why dont you try to acquire something basic in the beginning? Thats something that will lead you to understand even more concerning the globe, experience, some places, similar to history, amusement, and a lot more?

It is your unquestionably own mature to produce a result reviewing habit. accompanied by guides you could enjoy now is **Lesco Zero Two Mower Manual** below.

<https://staging.conocer.cide.edu/book/Resources/index.jsp/lost%20lost%20series%20english%20edition.pdf>

Table of Contents Lesco Zero Two Mower Manual

1. Understanding the eBook Lesco Zero Two Mower Manual
 - The Rise of Digital Reading Lesco Zero Two Mower Manual
 - Advantages of eBooks Over Traditional Books
2. Identifying Lesco Zero Two Mower Manual
 - Exploring Different Genres
 - Considering Fiction vs. Non-Fiction
 - Determining Your Reading Goals
3. Choosing the Right eBook Platform
 - Popular eBook Platforms
 - Features to Look for in an Lesco Zero Two Mower Manual
 - User-Friendly Interface
4. Exploring eBook Recommendations from Lesco Zero Two Mower Manual
 - Personalized Recommendations
 - Lesco Zero Two Mower Manual User Reviews and Ratings
 - Lesco Zero Two Mower Manual and Bestseller Lists
5. Accessing Lesco Zero Two Mower Manual Free and Paid eBooks

- Lesco Zero Two Mower Manual Public Domain eBooks
 - Lesco Zero Two Mower Manual eBook Subscription Services
 - Lesco Zero Two Mower Manual Budget-Friendly Options
6. Navigating Lesco Zero Two Mower Manual eBook Formats
 - ePub, PDF, MOBI, and More
 - Lesco Zero Two Mower Manual Compatibility with Devices
 - Lesco Zero Two Mower Manual Enhanced eBook Features
 7. Enhancing Your Reading Experience
 - Adjustable Fonts and Text Sizes of Lesco Zero Two Mower Manual
 - Highlighting and Note-Taking Lesco Zero Two Mower Manual
 - Interactive Elements Lesco Zero Two Mower Manual
 8. Staying Engaged with Lesco Zero Two Mower Manual
 - Joining Online Reading Communities
 - Participating in Virtual Book Clubs
 - Following Authors and Publishers Lesco Zero Two Mower Manual
 9. Balancing eBooks and Physical Books Lesco Zero Two Mower Manual
 - Benefits of a Digital Library
 - Creating a Diverse Reading Collection Lesco Zero Two Mower Manual
 10. Overcoming Reading Challenges
 - Dealing with Digital Eye Strain
 - Minimizing Distractions
 - Managing Screen Time
 11. Cultivating a Reading Routine Lesco Zero Two Mower Manual
 - Setting Reading Goals Lesco Zero Two Mower Manual
 - Carving Out Dedicated Reading Time
 12. Sourcing Reliable Information of Lesco Zero Two Mower Manual
 - Fact-Checking eBook Content of Lesco Zero Two Mower Manual
 - Distinguishing Credible Sources
 13. Promoting Lifelong Learning
 - Utilizing eBooks for Skill Development

- Exploring Educational eBooks

14. Embracing eBook Trends

- Integration of Multimedia Elements
- Interactive and Gamified eBooks

Lesco Zero Two Mower Manual Introduction

In today's digital age, the availability of Lesco Zero Two Mower Manual books and manuals for download has revolutionized the way we access information. Gone are the days of physically flipping through pages and carrying heavy textbooks or manuals. With just a few clicks, we can now access a wealth of knowledge from the comfort of our own homes or on the go. This article will explore the advantages of Lesco Zero Two Mower Manual books and manuals for download, along with some popular platforms that offer these resources. One of the significant advantages of Lesco Zero Two Mower Manual books and manuals for download is the cost-saving aspect. Traditional books and manuals can be costly, especially if you need to purchase several of them for educational or professional purposes. By accessing Lesco Zero Two Mower Manual versions, you eliminate the need to spend money on physical copies. This not only saves you money but also reduces the environmental impact associated with book production and transportation. Furthermore, Lesco Zero Two Mower Manual books and manuals for download are incredibly convenient. With just a computer or smartphone and an internet connection, you can access a vast library of resources on any subject imaginable. Whether you're a student looking for textbooks, a professional seeking industry-specific manuals, or someone interested in self-improvement, these digital resources provide an efficient and accessible means of acquiring knowledge. Moreover, PDF books and manuals offer a range of benefits compared to other digital formats. PDF files are designed to retain their formatting regardless of the device used to open them. This ensures that the content appears exactly as intended by the author, with no loss of formatting or missing graphics. Additionally, PDF files can be easily annotated, bookmarked, and searched for specific terms, making them highly practical for studying or referencing. When it comes to accessing Lesco Zero Two Mower Manual books and manuals, several platforms offer an extensive collection of resources. One such platform is Project Gutenberg, a nonprofit organization that provides over 60,000 free eBooks. These books are primarily in the public domain, meaning they can be freely distributed and downloaded. Project Gutenberg offers a wide range of classic literature, making it an excellent resource for literature enthusiasts. Another popular platform for Lesco Zero Two Mower Manual books and manuals is Open Library. Open Library is an initiative of the Internet Archive, a non-profit organization dedicated to digitizing cultural artifacts and making them accessible to the public. Open Library hosts millions of books, including both public domain works and contemporary titles. It also allows users to borrow digital copies of certain books for a limited period, similar to a library lending system. Additionally, many universities

and educational institutions have their own digital libraries that provide free access to PDF books and manuals. These libraries often offer academic texts, research papers, and technical manuals, making them invaluable resources for students and researchers. Some notable examples include MIT OpenCourseWare, which offers free access to course materials from the Massachusetts Institute of Technology, and the Digital Public Library of America, which provides a vast collection of digitized books and historical documents. In conclusion, Lesco Zero Two Mower Manual books and manuals for download have transformed the way we access information. They provide a cost-effective and convenient means of acquiring knowledge, offering the ability to access a vast library of resources at our fingertips. With platforms like Project Gutenberg, Open Library, and various digital libraries offered by educational institutions, we have access to an ever-expanding collection of books and manuals. Whether for educational, professional, or personal purposes, these digital resources serve as valuable tools for continuous learning and self-improvement. So why not take advantage of the vast world of Lesco Zero Two Mower Manual books and manuals for download and embark on your journey of knowledge?

FAQs About Lesco Zero Two Mower Manual Books

How do I know which eBook platform is the best for me? Finding the best eBook platform depends on your reading preferences and device compatibility. Research different platforms, read user reviews, and explore their features before making a choice. Are free eBooks of good quality? Yes, many reputable platforms offer high-quality free eBooks, including classics and public domain works. However, make sure to verify the source to ensure the eBook credibility. Can I read eBooks without an eReader? Absolutely! Most eBook platforms offer webbased readers or mobile apps that allow you to read eBooks on your computer, tablet, or smartphone. How do I avoid digital eye strain while reading eBooks? To prevent digital eye strain, take regular breaks, adjust the font size and background color, and ensure proper lighting while reading eBooks. What the advantage of interactive eBooks? Interactive eBooks incorporate multimedia elements, quizzes, and activities, enhancing the reader engagement and providing a more immersive learning experience. Lesco Zero Two Mower Manual is one of the best book in our library for free trial. We provide copy of Lesco Zero Two Mower Manual in digital format, so the resources that you find are reliable. There are also many Ebooks of related with Lesco Zero Two Mower Manual. Where to download Lesco Zero Two Mower Manual online for free? Are you looking for Lesco Zero Two Mower Manual PDF? This is definitely going to save you time and cash in something you should think about. If you trying to find then search around for online. Without a doubt there are numerous these available and many of them have the freedom. However without doubt you receive whatever you purchase. An alternate way to get ideas is always to check another Lesco Zero Two Mower Manual. This method for see exactly what may be included and adopt these ideas to your book. This site will almost certainly help you

save time and effort, money and stress. If you are looking for free books then you really should consider finding to assist you try this. Several of Lesco Zero Two Mower Manual are for sale to free while some are payable. If you arent sure if the books you would like to download works with for usage along with your computer, it is possible to download free trials. The free guides make it easy for someone to free access online library for download books to your device. You can get free download on free trial for lots of books categories. Our library is the biggest of these that have literally hundreds of thousands of different products categories represented. You will also see that there are specific sites catered to different product types or categories, brands or niches related with Lesco Zero Two Mower Manual. So depending on what exactly you are searching, you will be able to choose e books to suit your own need. Need to access completely for Campbell Biology Seventh Edition book? Access Ebook without any digging. And by having access to our ebook online or by storing it on your computer, you have convenient answers with Lesco Zero Two Mower Manual To get started finding Lesco Zero Two Mower Manual, you are right to find our website which has a comprehensive collection of books online. Our library is the biggest of these that have literally hundreds of thousands of different products represented. You will also see that there are specific sites catered to different categories or niches related with Lesco Zero Two Mower Manual So depending on what exactly you are searching, you will be able tochoose ebook to suit your own need. Thank you for reading Lesco Zero Two Mower Manual. Maybe you have knowledge that, people have search numerous times for their favorite readings like this Lesco Zero Two Mower Manual, but end up in harmful downloads. Rather than reading a good book with a cup of coffee in the afternoon, instead they juggled with some harmful bugs inside their laptop. Lesco Zero Two Mower Manual is available in our book collection an online access to it is set as public so you can download it instantly. Our digital library spans in multiple locations, allowing you to get the most less latency time to download any of our books like this one. Merely said, Lesco Zero Two Mower Manual is universally compatible with any devices to read.

Find Lesco Zero Two Mower Manual :

lost lost series english edition

louse a novel

loretta young show episode guide

lottery master guide review

lovedale n3 nated results

love scars english edition

[lora leigh soul deep](#)

[los pasatiempos leccion by vista higher learning answer key](#)

loom bands manual and design

lotus elise full service repair manual 1996 2003

louest de licircle de montreacuteal

lost for you english edition

~~loudest motorcycle air horn~~

lost lake 4th grade mcgraw hill

low fat cream cheese recipe

Lesco Zero Two Mower Manual :

10 rubber band bracelet ideas easy unique craftbuds - Apr 14 2022

jan 26 2023 don t worry some rubber band bracelet ideas don t need a loom but first check the following two quick tutorials to make a rubber band bracelet using the loom and your fingers related 10 cool friendship bracelet patterns for beginner to advanced crafters table of contents 1 how do i make rubber band bracelets use the rainbow loom

how to make loom bands 5 easy rainbow loom bracelet designs youtube - Jan 24 2023

nov 5 2014 rainbow loom bracelet tutorial on how to make loom bands we are making 5 easy rubber band bracelet designs without a loom all you need are rainbow loom ban

instructions tutorials rainbow loom usa webstore - Mar 14 2022

rainbow loom tutorial videos beginner intermediate advanced level videos alpha loom alpha loom patterns videos tips tricks monster tail instructional videos finger loom instructional videos hair loom rubber bands opaque collection jelly collection rainbow loom bracelet tutorials start monster tail bracelet tutorials start

easy to make rubber band loom and bracelet instructables - Mar 26 2023

step 1 gather up some stuff i used a chunk of wood that i had lying around 1 5 x 75 x 6 however just about any size will do six pushpins a pencil and a half inch drill bit step 2 find the center at one end find the center use your drill bit and drill and make a hole step 3 with my pencil i marked where i wanted to place the pins

how to make rubber band bracelets 10 preferred rainbow loom patterns - Oct 21 2022

jan 5 2023 these rainbow loom rubber band bracelets are easy by kids toward make in are 10 rubber band bracelet instructions to follow

loom love how to make rainbow loom bracelets rainbow loom - Feb 10 2022

want to learn how to make rainbow loom bracelets we ve found many rainbow loom instructions and patterns we love making bracelets creating and finding helpful loom tutorials

a new rubber band bracelet pattern twistz bandz rainbow loom - Jun 28 2023

here is a new loom bracelet pattern about the rainbow loom colorful rubber bands can make different patterned bracelets rings and even a mini handbag ther

how to make rubber band bracelets 25 bracelet patterns - Aug 31 2023

here s your guide to 25 free rubber band bracelet patterns with clear step by step instructions that make the process simple for beginners and experts alike from the classic hexafish rainbow loom bracelet design to the trendy diy fishtail rubber band bracelet there s a variety of patterns available to match everyone s taste

[instructions on how to make rainbow loom designs loom bracelets](#) - Nov 21 2022

fishtail another easy design for beginners have a play with the fishtail design in the colours of the rainbow double band fishtail once you have mastered the fishtail design try this one see how many colour combinations you can do double cross once you have had some practice on your rainbow loom this will be another easy design to try zigzag

the ultimate rainbow loom guide instructables - Feb 22 2023

the ultimate rainbow loom guide time to start making with your rainbow loom we ll get you started with making a basic bracelet on the loom and work you up to making crazy starburst bracelets and fun little charms

all your favorite patterns in one place rainbow loom patterns - May 28 2023

rainbow loom patterns is proud to present to you our collection of bracelets categorized into beginner intermediate and advanced levels bracelets are what made the rainbow loom popular these bracelets can also be made on other looms as well including bandaloom wonder loom cra z loom and funloom

how to make loom bracelets with pictures wikipedi - Jul 30 2023

jun 16 2019 to make a loom bracelet you ll need rubber loom bands a loom and a metal hook tool get started by making an infinity loop on the lower left rungs of your loom using 2 bands then place 4 more bands on the same rungs but

how to make loom bands for beginners gathered - Jul 18 2022

feb 25 2022 how to make loom bands video guide for beginners how to make loom bands step by step 3 easy ways to make a bracelet we ve picked two ways you can use your fingers while in the third we show you how to make rainbow loom bands using the rainbow loom

[rubberband bracelet loom by steedmaker printables com](#) - Jun 16 2022

related models this is a loom for creating rubber band bracelets it is designed to fit two base plates together for longer projects download free 3d printable stl models

make a basic rubber band bracelet rubber band loom - Oct 01 2023

step 1 the loom must be facing the right direction make sure your loom makes a triangle shape in the front with your loom

copy the image make sure your loom is facing the exact direction your bracelet may not turn out as you may hope the right direction is when the the arrow is facing away from you

rainbow loom english dragon scale bracelet loom bands - Aug 19 2022

this is a loom bands tutorial on how to make the dragon scale bracelet on the rainbow loom or on any other loom you may have more more new french braid rainbow loom monster tail

how to make rubber band bracelet loom pattern - Dec 23 2022

oct 2 2013 directions measure across the board and mark with the pencil the 1 inch 2 inch and 3 inch marks going down the length of the board this keeps your lines straight for the pins three pencil marks 1 inch apart next step is to mark where the pins will go place the measure tape down the length of the board

single rubber band bracelet pattern youtube - Apr 26 2023

0 00 2 23 single rubber band bracelet pattern leisure arts inc 18 6k subscribers 1 7k views 9 years ago a tutorial for making the basic single pattern rubber band loom bracelet from

34 rubberband bracelets and ideas rainbow loom patterns pinterest - May 16 2022

illusion rainbow loom bracelet jul 30 2015 explore lona dalum bavier s board rubberband bracelets and ideas followed by 1 164 people on pinterest see more ideas about rainbow loom patterns rainbow loom rainbow loom bracelets

how to make rubber band bracelets 40 diys guide patterns - Sep 19 2022

feb 2 2018 how to make rubber band bracelet with loom the tiny rubber bands attached to the main bracelet look like a chain sequence at first glance nobody would be able to make it out

diferencia entre armonía y melodía campus training - Jan 01 2023

web la armonía tiene como función acompañar a la melodía es el elemento que da sentimiento a la música incluye construcción y progresión de acordes y los principios de conexión que los rigen para crear una armonía se necesita un teoría musical para principiantes qué es la armonía la melodía y - Nov 30 2022

web síganos en producir un sonido componer una canción e incluso tocar en una banda son algunas de las muchas aspiraciones que involucran la teoría musical para principiantes sin embargo muchas veces quien está comenzando a tocar puede cometer el error de ignorar la parte teórica del tema

1 3 armonía libretxts español - Aug 28 2022

web oct 30 2022 el estudio de la armonía involucra acordes y su construcción y progresiones de acordes y los principios de conexión que los gobiernan a menudo se dice que la armonía se refiere al aspecto vertical de la música a diferencia de la línea melódica o el aspecto horizontal

principios de melodía y de armonía spanish edition - May 05 2023

web jan 27 2016 la presente obra principios de melodía y armonía ha sido diseñada para ser usada como libro de texto en los cursos básicos de teoría musical que generalmente se ubican en los dos primeros años del currículo universitario de una carrera musical

the beatles now and then la historia de la nueva canción que - Nov 18 2021

web nov 2 2023 los miembros que quedan del grupo reconstruyeron la voz de john lennon con la ayuda de la inteligencia artificial

los elementos de la música melodía ritmo y armonía - Oct 10 2023

web jan 9 2022 en primer lugar la melodía es aquello que cantamos silbamos o tarareamos cuando se nos cuela una canción en la cabeza más técnicamente la melodía es una sucesión ordenada e intencionada de sonidos a distintas alturas qué quiere decir esto es muy sencillo es una sucesión de sonidos porque estos se producen uno tras otro y

diferencias entre melodía y armonía diferencias y similitudes - Jun 06 2023

web la melodía es una secuencia de notas musicales que se combinan para formar un patrón sonoro mientras que la armonía es el uso de varias notas musicales al mismo tiempo para crear un acorde complejo ambos elementos son fundamentales en la composición y producción musical Índice

la música ritmo melodía y armonía fundamentos laboratorio - Aug 08 2023

web jan 17 2017 la música tiene tres componentes básicos ritmo melodía y armonía vamos a desgranarlos uno por uno con el fin de que al menos tengamos unos conocimientos básicos para poder empezar a meter sonidos en nuestro ordenador con

principios de melodía y de armonía pdf wrbb neu - Jan 21 2022

web principios de melodía y de armonía 1 principios de melodia y de armonia this is likewise one of the factors by obtaining the soft documents of this principios de melodia y de armonia by online

principios de melodía y de armonía versión kindle amazon es - Feb 02 2023

web principios de armonía armonía diatónica iv principios de armonía armonía modulativa v principios de armonía armonía cromática vi introducción a una nueva era y vii estructura y diseño en la música

melodia y armonia aprende a tocar la guitarra en poco tiempo - Apr 23 2022

web la melodía es lo que se puede cantar de una canción son las notas que suenan consecutivamente en cambio la armonía son notas que suenan simultáneamente melodía es una sucesión de notas una tras otra es decir que sólo se produce un sonido en un mismo tiempo sin embargo la armonía consiste en la emisión de varios sonidos a la

principios de melodía y de armonía by carlos flores goodreads - Apr 04 2023

web jan 27 2016 la presente obra principios de melodía y armonía ha sido diseñada para ser usada como libro de texto en los cursos básicos de teoría musical que generalmente se ubican en los dos primeros años del currículo universitario de una

carrera musical

armonía musical qué es y sus métodos centro estudios - Jul 27 2022

web armonía musical qué es y sus métodos la armonía es un término que hace referencia a cuando dos o más tonos suenan a la vez no necesariamente hay que utilizar un acorde o tiene que sonar de una manera determinada técnicamente una armonía se forma a partir de la relación existente entre la diferentes frecuencias de un tono se

[china tiene un plan para las mujeres familia tradición y cultura de](#) - Sep 16 2021

web nov 4 2023 familia tradición y cultura de la maternidad estos son algunos de los valores que pekín propone a las mujeres en la china de hoy según un discurso pronunciado esta semana por el presidente

[principios de melodía y de armonía paperback 5 jan 2016](#) - Aug 16 2021

web buy principios de melodía y de armonía by flores phd carlos a isbn 9781519141330 from amazon s book store everyday low prices and free delivery on eligible orders

melodía vs armonía definiciones y ejemplos estudiando - Jul 07 2023

web sep 11 2020 la melodía se puede definir como una serie memorable de tonos en un entorno no formal podemos simplemente decir que es la melodía de la canción si piensas en la canción mary had a little lamb probablemente estés pensando en la melodía y no en las notas armónicas que la acompañan

la música y nuestro cerebro psonrie com - Dec 20 2021

web la música es el arte de crear y organizar sonidos y silencios respetando los principios fundamentales de la melodía la armonía y el ritmo mediante la intervención de complejos procesos psicoanímicos este bello arte tiene una relación profunda con nuestras emociones pensamientos y comportamientos

conceptos de melodía armonía ritmo y contrapunto tutor grafico - Oct 30 2022

web aug 6 2016 conceptos de melodía armonía ritmo y contrapunto se llama melodía a la sucesión de sonidos con sentido musical en la melodía pues los sonidos se presentan unos después de otros frecuentemente se dice que la melodía debe agradar a quien la escucha pero no siempre ocurre así esto depende de diversos factores como el gusto

principios de melodía y de armonía amazon com mx - Mar 03 2023

web cubre desde los fundamentos de la teoría musical incluida una clara descripción del sistema de notación occidental hasta temas que son materia de estudio en programas de pregrado en música como la armonía diatónica modulativa y cromática y

componentes de la música melodía armonía y ritmo - Jun 25 2022

web dec 6 2022 como lo mencionamos anteriormente la música como la conocemos hoy en día está compuesta por tres elementos principales que le dan estructura y sentido melodía armonía ritmo claro que la música también puede estar compuesta por otros elementos ya que el sonido es un fenómeno físico y podemos encontrar componentes

melodía armonía y ritmo cuáles son las diferencias - Mar 23 2022

web la melodía es la línea principal que guía la canción mientras que la armonía establece el tono y la sensación de la canción subyacente y el ritmo es lo que impulsa la canción y la hace memorable

principios de melodía y de armonía spanish edition - Sep 09 2023

web jan 5 2016 cubre desde los fundamentos de la teoría musical incluida una clara descripción del sistema de notación occidental hasta temas que son materia de estudio en programas de pregrado en música como la armonía diatónica modulativa y cromática y el estudio de la forma

3 conceptos básicos de la música ritmo armonía y youtube - May 25 2022

web dec 17 2020 aprende música fácilmente en este video comparto contigo los conceptos fundamentales de la teoría musical ritmo armonía y melodía además voy a enseñarte cómo se hace una canción

nueva música latina de omar montes fonseca y más - Oct 18 2021

web 17 hours ago banda ms no es ajena a colaboraciones fuera de lo común y su más reciente sencillo no es la excepción la banda se une a la reina del pop gloria trevi para y que soporten marcando

principios de melodía y de armonía luisa lacál 2023 - Feb 19 2022

web merely said the principios de melodía y de armonía is universally compatible in the same way as any devices to read tratado de armonía de adalberto garca de mendoza 2018 10 22 para lograr los fines convenientes en el campo de la armonía he seguido en esta obra lo necesario para

principios de melodía y de armonía by carlos a barnes noble - Sep 28 2022

web jan 5 2016 este libro surge tanto como respuesta a una necesidad así como por una motivación personal de realizar una contribución al estudio

lcd tv power supply ip board schematic diagram studocu - Aug 06 2023

web lcd tv intermittent sound problem lcd television repair this is samsung lcd tv bn44 00152binverter power supply ip board schematic diagram where this power supplies are using on samsung ln t1953h lcd tv or other similar ln t19 series lcd tv below is the picture of this psu s 00 001 04 01 rev page rev 0 page 12 2007 08

lcd tv power supply ip board schematic diagram repair - Mar 01 2023

web lcd tv power supply ip board schematic diagram repair tips for sharp lcd tv intermittent sound problem lcd television repair com this is samsung lcd tv bn44 00152b inverter power supply ip board schematic diagram

lcd tv power supplies psu schematic diagram list - Jan 31 2023

web lcd tv power supply schematic diagram list nowadays most of the samsung lcd tv not provided the power supply psu schematic inside their original manufacturer service or repair manual inside the members area we had some collection of this

circuits for easy the repairer to find out how that power supply working and they can use this

[lcd tv power supply ip board schematic pdf4pro](#) - May 23 2022

web download lcd tv power supply ip board schematic pdf lcd tv power supply ip board schematic diagram repair tips for sharp lcd tv intermittent sound problem lcd television repair com pdf4pro

pdf lcd tv power supply ip board schematic diagram - Dec 30 2022

web lcd tv power supply ip board schematic diagram repair tips for sharp lcd tv intermittent sound problem lcd television repair com this is samsung lcd tv bn44 00152b inverter power supply ip board schematic diagram

[lcd tv power supply ip board schematic diagram repair pdf](#) - Mar 21 2022

web diagrams including schematic diagrams of commercially available consumer equipment where relevant testing and fault finding procedures are outlined together with typical fault symptoms

lcd tv power supply ip board schematic diagram repair pdf - Aug 26 2022

web lcd tv power supply ip board schematic diagram repair pdf 3 3 principles and technology the third edition of closed circuit television provides a thorough technical guide for all those involved in the design specification installation and maintenance of cctv systems fully dual standard for pal and ntsc systems the book covers the

lcd tv power supply ip board schematic diagram repair - Sep 07 2023

web mar 8 2021 lcd tv power supply ip board schematic diagram repair free pdf download 6 pages year 2010 read online pdf room

lcd tv power supply ip board schematic diagram repair - Apr 21 2022

web you could purchase guide lcd tv power supply ip board schematic diagram repair or get it as soon as feasible you could speedily download this lcd tv power supply ip board schematic diagram repair after getting deal so next you require the book swiftly you can straight get it its hence categorically easy and fittingly fats isnt it

lcd tv power supply ip board schematic diagram repair - Jul 05 2023

web lcd tv power supply ip board schematic diagram repair tips for sharp lcd tv intermittent sound problem lcd television repair com this is samsung lcd tv bn44 00152b inverter power supply ip board schematic diagram where this power supplies are using on samsung ln t1953h lcd tv or other similar ln t19

lcd tv power supply ip board schematic - May 03 2023

web lcd tv power supply ip board schematic diagram repair tips for sharp lcd tv intermittent sound problem this is samsung lcd tv bn44 00152b inverter power supply ip board schematic diagram where this power supplies are using on samsung ln t1953h lcd tv or other similar ln t19 series lcd tv

lcd tv power supply ip board schematic diagram repair pdf - Jul 25 2022

web newnes guide to television and video technology 3d and hd broadband video networking technology for classroom and online learning lcd tv power supply ip board schematic diagram repair downloaded from ecobankpayservices ecobank com by guest stein silas electronics world rowman littlefield acoustics electronic

lcd tv power supply ip board schematic diagram repair - Jun 04 2023

web lcd tv power supply ip board schematic diagram repair tips for sharp lcd tv intermittent sound problem lcd television repair com this is samsung lcd tv bn44 00152b inverter power supply ip board schematic diagram where this power supplies are using on samsung ln t1953h lcd tv or other similar ln t19

lcd tv power supply ip board schematic diagram repair pdf - Feb 17 2022

web lcd tv power supply ip board schematic diagram repair lcd tv power supply ip board schematic diagram repair 2 downloaded from old sectionvtrack com on 2021 11 18 by guest stresses reliability and life chapter 7 optimal power components selection chapter 8 conduction and switching losses chapter 9 discovering new topologies

lcd led tv power supply schematic diagram - Oct 08 2023

web samsung ip schematic for series b350 b450 b460 b530 b650 lcd tv rar sony a 1184 357 a chassis wax2f psu shcemaite pdf toshiba 46 52 lcd tv psu schematic diagram pdf

lcd tv power supply ip board schematic diagram repair pdf - Nov 28 2022

web lcd tv power supply ip board schematic diagram repair pdf 3 3 educators andrews west and dark explain how to work with users as well as install maintain secure and troubleshoot software in comptia a core 2 exam guide to operating systems and security 10e this step by step highly visual approach uses comptia a

lcd tv power supply circuit diagram riset - Oct 28 2022

web oct 30 2023 the lcd tv power provides a 12v output for the signal process board a 24v output for the backlight driving circuit and an additional 5v standby power output as shown in figure 3 the backlight driving circuit consists of three power converters backlight lcd tv power supply circuit diagram riset lcd tv power supply circuit

tv service repair manuals schematics and diagrams - Apr 02 2023

web nov 1 2016 when troubleshooting your tv you will need to use schematics and diagrams to find the problem flat panel tv diagram of internal parts and circuit boards note if your tv has power issues consider replacing the power supply board if your tv has lines across the screen and the screen is not cracked consider replacing

lcd tv power supply ip board schematic diagram repair pdf - Sep 26 2022

web samsung 40 lcd tv le40r87bdx power supply board ip lcd tv power supply ip board schematic diagram repair lcd tv power supply ip board schematic diagram repair pdf downloaded from esource svb com by guest hooper laci ip 423 cr rev0 0 a1 42pb02055u power supply lcd led tv power

[lcd tv power supply ip board schematic diagram repair pdf](#) - Jun 23 2022

web 2 lcd tv power supply ip board schematic diagram repair pdf 2021 12 11 gym a human powered floating gym in new york city discover how a wheelchair adapts to its surroundings and learn how a cutting board can give the nutritional information of the food being prepared on it from 3 d printed cars to robot vacuum