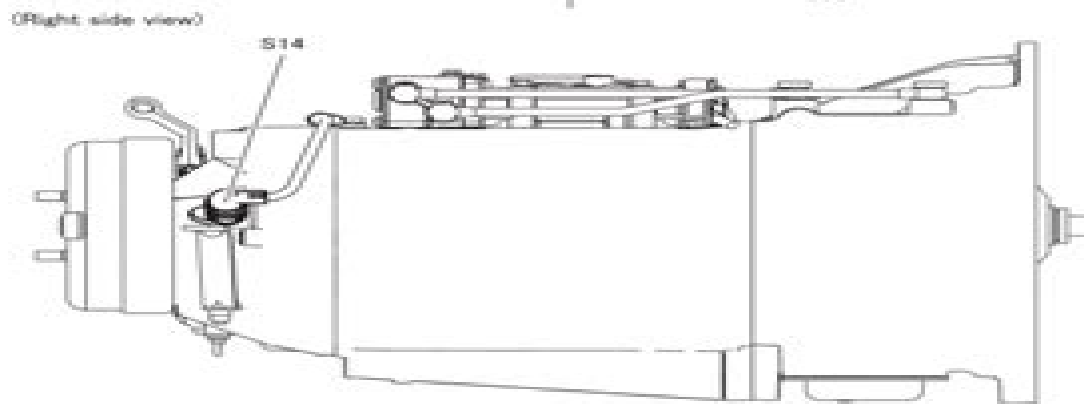
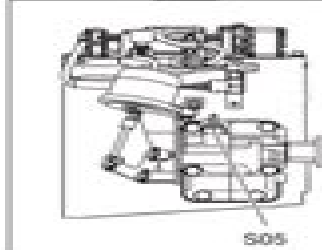
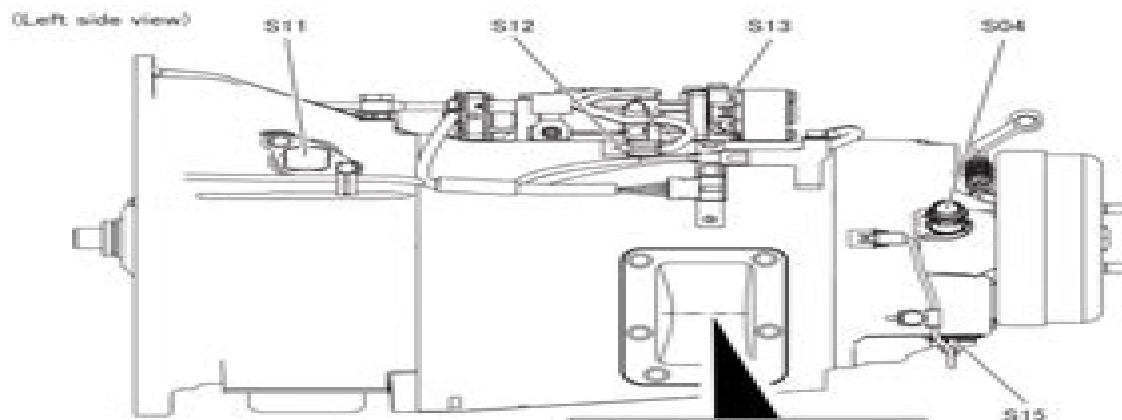


INSTALLED LOCATIONS OF PARTS

S04 to 15



- S04 Vehicle speed sensor
- S05 Power take-off control switch
- S11 Valve body (connector)
- S12 Shift stroke sensor (connector)

- S13 Gear shift unit
- S14 Vehicle speed sensor <DUONBC>
- S15 Parking gear switch

Fuso Duonic Service Manual

Thomas Griffiths



Fuso Duonic Service Manual:

Delve into the emotional tapestry woven by Crafted by in Experience **Fuso Duonic Service Manual** . This ebook, available for download in a PDF format (*), is more than just words on a page; it's a journey of connection and profound emotion. Immerse yourself in narratives that tug at your heartstrings. Download now to experience the pulse of each page and let your emotions run wild.

https://staging.conocer.cide.edu/public/scholarship/default.aspx/exame_grade9_maths_term4_gauteng.pdf

Table of Contents Fuso Duonic Service Manual

1. Understanding the eBook Fuso Duonic Service Manual
 - The Rise of Digital Reading Fuso Duonic Service Manual
 - Advantages of eBooks Over Traditional Books
2. Identifying Fuso Duonic Service Manual
 - Exploring Different Genres
 - Considering Fiction vs. Non-Fiction
 - Determining Your Reading Goals
3. Choosing the Right eBook Platform
 - Popular eBook Platforms
 - Features to Look for in an Fuso Duonic Service Manual
 - User-Friendly Interface
4. Exploring eBook Recommendations from Fuso Duonic Service Manual
 - Personalized Recommendations
 - Fuso Duonic Service Manual User Reviews and Ratings
 - Fuso Duonic Service Manual and Bestseller Lists
5. Accessing Fuso Duonic Service Manual Free and Paid eBooks
 - Fuso Duonic Service Manual Public Domain eBooks
 - Fuso Duonic Service Manual eBook Subscription Services
 - Fuso Duonic Service Manual Budget-Friendly Options

6. Navigating Fuso Duonic Service Manual eBook Formats
 - ePub, PDF, MOBI, and More
 - Fuso Duonic Service Manual Compatibility with Devices
 - Fuso Duonic Service Manual Enhanced eBook Features
7. Enhancing Your Reading Experience
 - Adjustable Fonts and Text Sizes of Fuso Duonic Service Manual
 - Highlighting and Note-Taking Fuso Duonic Service Manual
 - Interactive Elements Fuso Duonic Service Manual
8. Staying Engaged with Fuso Duonic Service Manual
 - Joining Online Reading Communities
 - Participating in Virtual Book Clubs
 - Following Authors and Publishers Fuso Duonic Service Manual
9. Balancing eBooks and Physical Books Fuso Duonic Service Manual
 - Benefits of a Digital Library
 - Creating a Diverse Reading Collection Fuso Duonic Service Manual
10. Overcoming Reading Challenges
 - Dealing with Digital Eye Strain
 - Minimizing Distractions
 - Managing Screen Time
11. Cultivating a Reading Routine Fuso Duonic Service Manual
 - Setting Reading Goals Fuso Duonic Service Manual
 - Carving Out Dedicated Reading Time
12. Sourcing Reliable Information of Fuso Duonic Service Manual
 - Fact-Checking eBook Content of Fuso Duonic Service Manual
 - Distinguishing Credible Sources
13. Promoting Lifelong Learning
 - Utilizing eBooks for Skill Development
 - Exploring Educational eBooks
14. Embracing eBook Trends
 - Integration of Multimedia Elements

- Interactive and Gamified eBooks

Fuso Duonic Service Manual Introduction

Fuso Duonic Service Manual Offers over 60,000 free eBooks, including many classics that are in the public domain. Open Library: Provides access to over 1 million free eBooks, including classic literature and contemporary works. Fuso Duonic Service Manual Offers a vast collection of books, some of which are available for free as PDF downloads, particularly older books in the public domain. Fuso Duonic Service Manual : This website hosts a vast collection of scientific articles, books, and textbooks. While it operates in a legal gray area due to copyright issues, its a popular resource for finding various publications. Internet Archive for Fuso Duonic Service Manual : Has an extensive collection of digital content, including books, articles, videos, and more. It has a massive library of free downloadable books. Free-eBooks Fuso Duonic Service Manual Offers a diverse range of free eBooks across various genres. Fuso Duonic Service Manual Focuses mainly on educational books, textbooks, and business books. It offers free PDF downloads for educational purposes. Fuso Duonic Service Manual Provides a large selection of free eBooks in different genres, which are available for download in various formats, including PDF. Finding specific Fuso Duonic Service Manual, especially related to Fuso Duonic Service Manual, might be challenging as theyre often artistic creations rather than practical blueprints. However, you can explore the following steps to search for or create your own Online Searches: Look for websites, forums, or blogs dedicated to Fuso Duonic Service Manual, Sometimes enthusiasts share their designs or concepts in PDF format. Books and Magazines Some Fuso Duonic Service Manual books or magazines might include. Look for these in online stores or libraries. Remember that while Fuso Duonic Service Manual, sharing copyrighted material without permission is not legal. Always ensure youre either creating your own or obtaining them from legitimate sources that allow sharing and downloading. Library Check if your local library offers eBook lending services. Many libraries have digital catalogs where you can borrow Fuso Duonic Service Manual eBooks for free, including popular titles. Online Retailers: Websites like Amazon, Google Books, or Apple Books often sell eBooks. Sometimes, authors or publishers offer promotions or free periods for certain books. Authors Website Occasionally, authors provide excerpts or short stories for free on their websites. While this might not be the Fuso Duonic Service Manual full book , it can give you a taste of the authors writing style. Subscription Services Platforms like Kindle Unlimited or Scribd offer subscription-based access to a wide range of Fuso Duonic Service Manual eBooks, including some popular titles.

FAQs About Fuso Duonic Service Manual Books

How do I know which eBook platform is the best for me? Finding the best eBook platform depends on your reading

preferences and device compatibility. Research different platforms, read user reviews, and explore their features before making a choice. Are free eBooks of good quality? Yes, many reputable platforms offer high-quality free eBooks, including classics and public domain works. However, make sure to verify the source to ensure the eBook credibility. Can I read eBooks without an eReader? Absolutely! Most eBook platforms offer webbased readers or mobile apps that allow you to read eBooks on your computer, tablet, or smartphone. How do I avoid digital eye strain while reading eBooks? To prevent digital eye strain, take regular breaks, adjust the font size and background color, and ensure proper lighting while reading eBooks. What the advantage of interactive eBooks? Interactive eBooks incorporate multimedia elements, quizzes, and activities, enhancing the reader engagement and providing a more immersive learning experience. Fuso Duonic Service Manual is one of the best book in our library for free trial. We provide copy of Fuso Duonic Service Manual in digital format, so the resources that you find are reliable. There are also many Ebooks of related with Fuso Duonic Service Manual. Where to download Fuso Duonic Service Manual online for free? Are you looking for Fuso Duonic Service Manual PDF? This is definitely going to save you time and cash in something you should think about. If you trying to find then search around for online. Without a doubt there are numerous these available and many of them have the freedom. However without doubt you receive whatever you purchase. An alternate way to get ideas is always to check another Fuso Duonic Service Manual. This method for see exactly what may be included and adopt these ideas to your book. This site will almost certainly help you save time and effort, money and stress. If you are looking for free books then you really should consider finding to assist you try this. Several of Fuso Duonic Service Manual are for sale to free while some are payable. If you arent sure if the books you would like to download works with for usage along with your computer, it is possible to download free trials. The free guides make it easy for someone to free access online library for download books to your device. You can get free download on free trial for lots of books categories. Our library is the biggest of these that have literally hundreds of thousands of different products categories represented. You will also see that there are specific sites catered to different product types or categories, brands or niches related with Fuso Duonic Service Manual. So depending on what exactly you are searching, you will be able to choose e books to suit your own need. Need to access completely for Campbell Biology Seventh Edition book? Access Ebook without any digging. And by having access to our ebook online or by storing it on your computer, you have convenient answers with Fuso Duonic Service Manual To get started finding Fuso Duonic Service Manual, you are right to find our website which has a comprehensive collection of books online. Our library is the biggest of these that have literally hundreds of thousands of different products represented. You will also see that there are specific sites catered to different categories or niches related with Fuso Duonic Service Manual So depending on what exactly you are searching, you will be able tochoose ebook to suit your own need. Thank you for reading Fuso Duonic Service Manual. Maybe you have knowledge that, people have search numerous times for their favorite readings like this Fuso Duonic Service Manual, but end up in

harmful downloads. Rather than reading a good book with a cup of coffee in the afternoon, instead they juggled with some harmful bugs inside their laptop. Fuso Duonic Service Manual is available in our book collection an online access to it is set as public so you can download it instantly. Our digital library spans in multiple locations, allowing you to get the most less latency time to download any of our books like this one. Merely said, Fuso Duonic Service Manual is universally compatible with any devices to read.

Find Fuso Duonic Service Manual :

[exame grade9 maths term4 gauteng](#)

[exam papers grade 12009](#)

[exampler for life science papergrade12014](#)

[ex basketball player text](#)

[evinrude simplex manual](#)

[evolution and selection answer key](#)

evinrude outboard 28 hp spl manual

[evinrude repair manual e35elend](#)

[evinrude 1998 50 hp outboard manual](#)

[evinrude repair manual 15hourse](#)

[evinrude 6 hp outboard 1975 owner manual](#)

examcrackers 7th edition

[example restorative nursing care plans](#)

[exam geography macmillan](#)

[exam paper for june july matric 2014](#)

Fuso Duonic Service Manual :

always changing lesson permission form finn academy - May 01 2022

web sep 5 2020 our fifth and sixth grade crews are about to study an important lesson on the early stages of puberty which children at this age are beginning to experience we will be utilizing the always changing program developed by

always changing grades 5 6 phe canada - May 13 2023

web always changing grades 5 6 is a resource designed to help ease the transition between childhood and adolescence for

students in grades 5 and 6 students will have many questions about the physical emotional and
[always changing 5th grade puberty education program](#) - Oct 06 2022

web always changing 5th grade puberty education program description 5th grade puberty education program as you grow up
your body changes childhood stage no visible signs of puberty stage two may begin at ages 8 14 powerpoint ppt presentation
number of views 24578

[always changing and growing up co ed puberty education video schooltube](#) - Jul 03 2022

web jul 15 2019 p g school programs is proud to offer educators videos to help teach the fundamentals of adolescent
development and puberty education in the classroom the always changing and growing up co ed girls and boys video focuses
on female and male development helping answer the questions many kids have about what to expect

[always changing 5th grade puberty education program pdf](#) - Jan 29 2022

web always changing 5th grade puberty education program pdf pages 4 20 always changing 5th grade puberty education
program pdf upload mita g paterson 4 20 downloaded from digitalworkgroup skidmore edu on september 4 2023 by mita g
paterson you ll discover honest answers to your changing body questions health and beauty tips

instructor s guide always changing growing up weebly - Feb 10 2023

web using the complete always changing and growing up program will help students identify the physical and emotional
changes they experience during puberty and acknowledge these changes as a normal part of growth and development that
personal hygiene is each individual s responsibility

[nurse s corner 5th grade growing and changing](#) - Dec 08 2022

web 5th grade growing and changing specially designed for 5th grade girls and boys the always changing growing up
puberty education program offers resources to help educators and parents teach the important topics of puberty and
development

knowledge is key to confidence always - Jul 15 2023

web bring puberty education to life in your classroom with the free educational materials below designed in partnership with
teachers school nurses physicians 5th grade english

always changing 5 th grade puberty education program - Aug 16 2023

web aug 31 2012 always changing 5 th grade puberty education program approved by the ccsd b o e 9 23 10 as you grow up
your body changes changes in how you look and feel timing is different for everyone from 9 14 years old each girl grows at
her own pace girls are usually 2 years ahead of boys

[wordpress com](#) - Dec 28 2021

web feb 3 2010 we would like to show you a description here but the site won t allow us

puberty talk materials for parents always - Mar 11 2023

web for over 35 years always pg school program has provided free puberty education materials to schools to prepare educators students and parents learn more about our program at the program website pgschoolprograms com

empowering through education always - Jan 09 2023

web the always puberty and confidence education program has helped girls teachers and parents for more than 35 years by providing free educational resources and samples that help girls understand the changes they will go through during puberty and

always changing growing up phe canada - Nov 07 2022

web puberty puberty is a time of physical and emotional change that happens as children grow and mature these changes are natural and everyone experiences them puberty usually starts occurring between the ages of 7 and 14 keep in mind the onset of puberty is different for everyone for some it happens early while for others it can take longer

always changing and growing up boys puberty education video - Mar 31 2022

web apr 14 2021 always changing and growing up boys puberty education videonot yet rated always changing and growing up boys puberty education video 2 years ago kyle crowell

always changing growing up puberty education - Apr 12 2023

web as part of our health and wellness curriculum each year the elementary school nurses provide the program titled always changing growing up puberty education to our 5th graders with the shift to remote learning due to school closure proctor gamble is offering resources to help educators and parents teach the important topics of

always changing fifth grade puberty educational video 1 - Sep 05 2022

web mar 23 2021 about press copyright contact us creators advertise developers terms privacy policy safety how youtube works test new features nfl sunday ticket press copyright

always changing 5 th grade puberty education program - Feb 27 2022

web aug 26 2014 always changing 5 th grade puberty education program approved by the ccsd b o e 9 23 10 as you grow up your body changes changes in how you look and feel timing is different for everyone from 9 14 years old each girl grows at her own pace girls are usually 2 years ahead of boys

does tampax have a school program or donate to schools - Jun 02 2022

web specially designed for 5th 6th grade boys and girls the always changing puberty education program helps educators teach the important topics of puberty and development p g school programs is excited to offer educators a wide range of materials to help guide students and inform them about puberty

always changing phe canada - Jun 14 2023

web always changing is a puberty education and healthy active living program for students in grades 5 through 8 always changing offers a free user friendly downloadable leader guide student guide parent guardian guide and worksheets offering a comprehensive turnkey program that will expand student knowledge and understanding of the physical

[always changing and growing up co ed puberty education](#) - Aug 04 2022

web may 4 2020 about press copyright contact us creators advertise developers terms privacy policy safety how youtube works test new features nfl sunday ticket press copyright

[backen vom feinsten zauner josef ab 3 84](#) - Aug 22 2022

web 84 zauner josef hrsg backen vom feinsten österreichische backtradition von der kaiserzeit bis heute kuchen Gebäck torten desserts konfekt mehlspeisen und mehr isbn 9782233494740 nur diese ausgabe anzeigen

[backen vom feinsten par excellence backtraditionen aus](#) - Oct 04 2023

web backen vom feinsten par excellence backtraditionen aus Österreich blv backen zauner josef schuhmacher karl mayer bahl eva isbn 9783835416376 kostenloser versand für alle bücher mit versand und verkauf durch amazon

[omas apfel schmand kuchen sonntags schlemmer rezept vom feinsten](#) - Aug 02 2023

web nov 5 2023 die pudding schmand creme auf dem mürbeteig verstreichen die apfelhälften mit der schnittkante nach unten auf der creme verteilen und zuletzt die gehobelten mandeln auf den kuchen geben zum schluss den apfel schmand kuchen auf mittlerer schiene 45 50 minuten backen vor dem lösen aus der springform vollständig

backen vom feinsten von josef zauner bücher zvab - Sep 22 2022

web backen vom feinsten von zauner josef karl schuhmacher und eva mayer bahl und eine große auswahl ähnlicher bücher kunst und sammlerstücke erhältlich auf zvab com

[9783835402287 backen vom feinsten zauner josef gesucht](#) - Oct 24 2022

web backen vom feinsten finden sie alle bücher von zauner josef bei der büchersuchmaschine eurobuch com können sie antiquarische und neubücher vergleichen und sofort zum bestpreis bestellen 9783835402287 die österreichische küche mit ihrer zuckerbäckerkunst und den vielen köstlichen

[vom feinsten deutsches rechtschreibwörterbuch pons](#) - Dec 26 2022

web vomieren von von bis preis von bis spanne voneinander jetzt vom feinsten im pons online rechtschreibwörterbuch nachschlagen inklusive definitionen beispielen aussprachetipps Übersetzungen und vokabeltrainer

backen vom feinsten Österreichische backtradition von der - Jan 27 2023

web backen vom feinsten Österreichische backtradition von der kaiserzeit bis heute finden sie alle bücher von zauner josef bei der büchersuchmaschine eurobuch com können sie antiquarische und neubücher vergleichen und sofort zum bestpreis bestellen 9783835410428

buchtipp backen vom feinsten Österreichs mehlspeiskultur - Sep 03 2023

web backen vom feinsten enthält viele traditionelle und moderne rezepte aus der österreichischen mehlspeiskultur tradition trifft moderne so lautet der leitsatz von backen vom feinsten Österreichische backtradition von der kaiserzeit bis heute

[9783835416376 backen vom feinsten schuhmacher karl](#) - Jul 21 2022

web abebooks com backen vom feinsten 9783835416376 by schuhmacher karl mayer bahl eva and a great selection of similar new used and collectible books available now at great prices 9783835416376 backen vom feinsten schuhmacher karl mayer bahl eva 3835416375 abebooks

zauner josef backen vom feinsten kochbuch couch de - Jul 01 2023

web die österreichische küche mit ihrer zuckerbäckerkunst und den vielen köstlichen warmen süßspeisen genießen weltruf dass die gerichte auch in der heimischen küche gelingen garantiert backen vom feinsten Österreichische

backen vom feinsten portofrei bei bücher de bestellen - Nov 24 2022

web dass die gerichte auch in der heimischen küche gelingen garantiert backen vom feinsten Österreichische backtradition von der kaiserzeit bis heute stöbern sie im onlineshop von buecher de und kaufen sie ihre artikel versandkostenfrei und ohne mindestbestellwert

[backen vom feinsten world of influencer](#) - Jun 19 2022

web backen ist im trend my cake präsentiert produkte workshops und inspirationen rund um das süße hobby kneten ausrollen rühren tortenmesse my cake bringt backfans auf den geschmack friedrichshafen backen begeistert klein und groß und diverses zubehör trägt zum gelingen von kuchen brot und keksen bei

backen vom feinsten von josef zauner zvab - May 19 2022

web backen vom feinsten Österreichische backtradition von der kaiserzeit bis heute kuchen gebäck torten desserts mayer bahl eva karl schuhmacher und josef zauner verlag blv buchverlag 2007

backen vom feinsten par excellence backtraditionen aus - Feb 25 2023

web backen vom feinsten par excellence backtraditionen aus Österreich blv backen zauner josef schuhmacher karl mayer bahl eva amazon de books

[backen vom feinsten zvab](#) - Apr 29 2023

web backen vom feinsten von karl mayer bahl schuhmacher und eine große auswahl ähnlicher bücher kunst und sammlerstücke erhältlich auf zvab com

backen vom feinsten Österreichische backtradition von der - May 31 2023

web backen vom feinsten Österreichische backtradition von der kaiserzeit bis heute zauner josef schuhmacher karl isbn 9783835410428 kostenloser versand für alle bücher mit versand und verkauf duch amazon

vom feinsten Übersetzung englisch deutsch dict cc - Apr 17 2022

web the crème de la crème the very best thing also the creme de la creme das feinste n vom feinsten this is journalism at its best das ist journalismus vom feinsten teilweise Übereinstimmung finest adj am feinsten

backen vom feinsten cafe konditorei zauner bad ischl - Mar 29 2023

web backen vom feinsten 15 50 enthält 10 mwst zzgl versand neuauflage Österreichische backtradition von der kaiserzeit bis heute in den warenkorb artikelnummer mb1 kategorie bücher geschenke schlagwörter backbuch josef zauner karl schumacher kochbuch konditorei zauner mehlspeisen

vom feinsten deutsch englisch Übersetzung pons - Feb 13 2022

web Übersetzung deutsch englisch für vom feinsten im pons online wörterbuch nachschlagen gratis vokabeltrainer verbtabellen aussprachefunktion

backen vom feinsten 9783835402287 abebooks - Mar 17 2022

web abebooks com backen vom feinsten 9783835402287 and a great selection of similar new used and collectible books available now at great prices

2019 every day s a holiday daily desk calendar pinterest - Apr 30 2022

web jan 30 2019 2019 every day s a holiday daily desk calendar tf publishing on amazon com free shipping on qualifying offers 2019 every day s a holiday daily desk calendar

every day s a holiday calendar 2019 set amazon co uk - Jul 14 2023

web buy every day s a holiday calendar 2019 set deluxe 2019 every day is a holiday wall calendar bundle with over 100 calendar stickers fun calendar gifts at amazon uk free delivery on eligible orders

tf publishing every day s a holiday 2019 wall calendar pinterest - Jul 02 2022

web sep 16 2018 buy tf publishing every day s a holiday 2019 wall calendar at zulily zulily has the best deals discounts and savings up to 70 off big brands shop tfpublishing 19 1114

every day s a holiday 2019 wall calendar calendario - Aug 03 2022

web every day s a holiday 2019 wall calendar tf publishing amazon com mx oficina y papelería

where to download every day s a holiday 2019 wall calendar - Jan 28 2022

web aug 5 2023 every day s a holiday 2019 wall calendar is available in our digital library an online access to it is set as public so you can download it instantly our digital library spans in multiple countries allowing you to get the most less latency time to download any of our books like this one

2019 every day s a holiday 12 x 12 january 2019 december 2019 wall - Dec 07 2022

web jan 12 2019 buy 2019 every day s a holiday 12 x 12 january 2019 december 2019 wall calendar at walmart com

every day s a holiday 2019 wall calendar calendario amazon es - Nov 06 2022

web every day s a holiday 2019 wall calendar tf publishing amazon es libros saltar al contenido principal es hola elige tu dirección todos los departamentos hola identifícate cuenta y listas devoluciones y pedidos cesta todo servicio al cliente con

2020 every day s a holiday wall calendar amazon com - Oct 05 2022

web jun 17 2019 2020 every day s a holiday wall calendar calendar wall calendar june 17 2019 by tf publishing author editor 4 8 4 8 out of 5 stars 315 ratings

every day s a holiday 2019 calendar amazon in - Mar 10 2023

web every day s a holiday 2019 calendar tf publishing amazon in office products skip to main content in hello select your address books select the department you want to search in search amazon in en hello sign in account lists returns orders

every day s a holiday 2019 wall calendar kalender amazon de - Jan 08 2023

web every day s a holiday 2019 wall calendar tf publishing amazon de bücher weiter ohne zu akzeptieren wählen sie ihre cookie einstellungen wir verwenden cookies und ähnliche tools die erforderlich sind um ihnen einkäufe zu ermöglichen ihr einkaufserlebnis zu verbessern und unsere dienste bereitzustellen

2019 every day s a holiday wall calendar amazon com - Aug 15 2023

web jul 1 2018 this 2019 12 x 12 wall calendar is a top selling format and has twelve months of daily holiday celebrations and a 4 month bonus spread featuring january 2020 april 2020 with additional space for notes

pdf every day s a holiday 2019 calendar academia edu - Jun 13 2023

web download pdf see full pdf download pdf fevery day s a holiday 2019 calendar f book description every day s a holiday 2019 calendar read ebook online pdf epub kindle every day s a holiday 2019 calendar pdf every day s a holiday 2019 calendar read online every day s a holiday 2019 calendar epub every day s a holiday 2019

amazon com 2019 wall calendar - Feb 26 2022

web 1 48 of over 1 000 results for 2019 wall calendar results planet earth wall calendar 2019 by day dream 3 calendar 1055 15 89 free delivery mon jan 30 on 25 of items shipped by amazon sandra kuck treasured hearts wall calendar 2019 by amcal 11 calendar 975 16 89 free delivery fri jan 27 on 25 of items shipped by amazon

every day s a holiday 2019 wall calendar amazon com br - Sep 04 2022

web compre online every day s a holiday 2019 wall calendar de tf publishing na amazon frete grátis em milhares de produtos com o amazon prime encontre diversos livros escritos por tf publishing com ótimos preços

2019 every day s a holiday wall calendar open library - May 12 2023

web jul 1 2018 2019 every day s a holiday wall calendar by tf publishing jul 01 2018 time factory edition calendar

every day s a holiday 2019 wall calendar other walmart com - Jun 01 2022

web buy every day s a holiday 2019 wall calendar other at walmart com

2020 every day s a holiday wall calendar abebooks - Mar 30 2022

web the monthly calendar grids span the entire 24 x 12 opened two page spread vertical and rectangular daily grid space include a fun holiday illustration and ample planning space for appointments as well this 2020 12 x 12 wall calendar is a top selling format and has twelve colorful calendar spreads plus a bonus spread featuring a 4

every day s a holiday 2019 wall calendar amazon de - Apr 11 2023

web hello sign in account lists returns orders shopping basket

every day s a holiday 2019 wall calendar 12x12 amazon in - Feb 09 2023

web every day s a holiday 2019 wall calendar 12x12 amazon in office products skip to main content in hello select your address office products amazon minitv

every day s a holiday 2019 wall calendar - Dec 27 2021

web way as this one merely said the every day s a holiday 2019 wall calendar is universally compatible subsequently any devices to read the far side gallery 3 gary larson 1992 this collection of the far side cartoons is taken from hound of the far side the far side observer and night of the crash test dummies