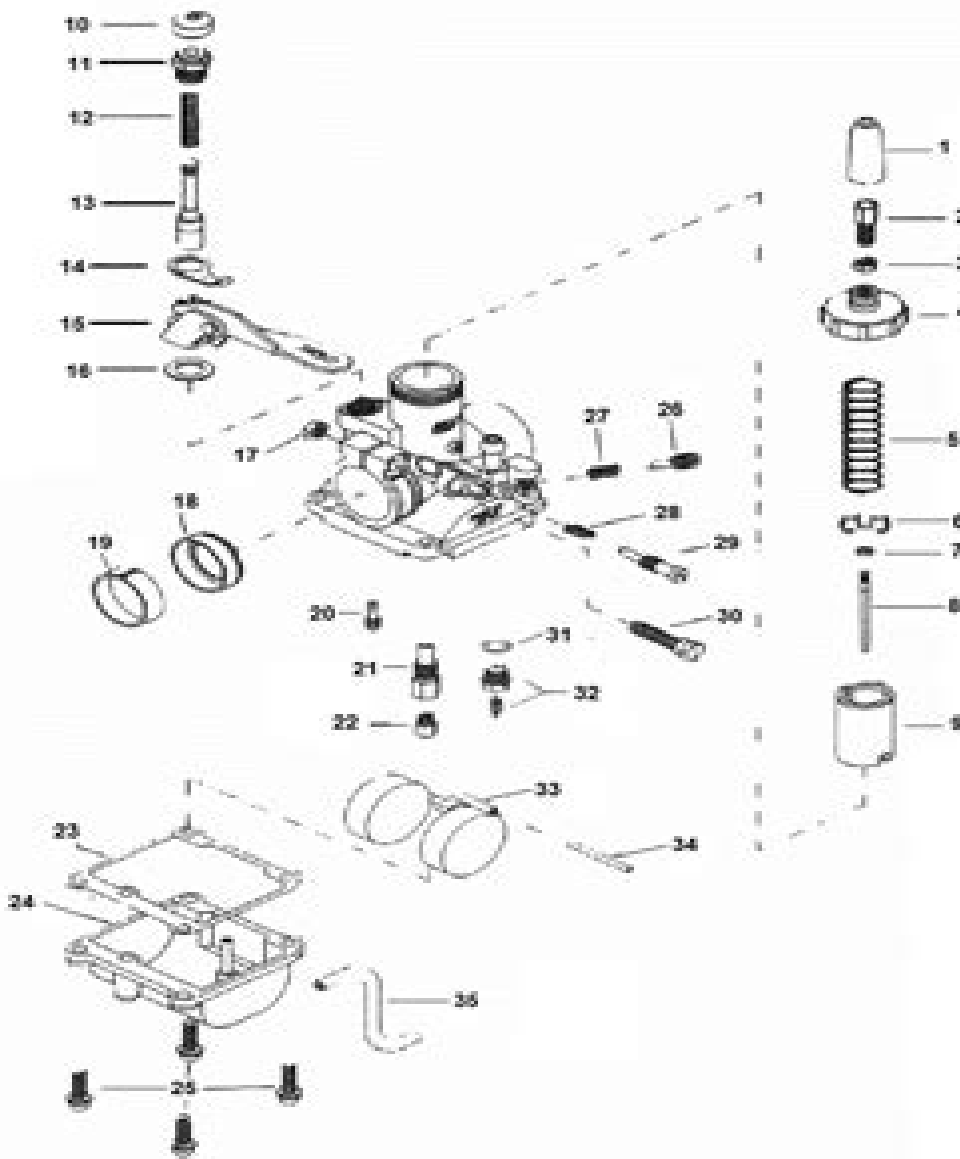


# Exploded View

## Mikuni VM18



No.	Description	Mikuni No.	Order No.
1	Rubber Cap, Throttle Cable	VM18017	997 495
2	Cable Adjuster	MC1114	997 967
3	Ret. Cable Adjuster	930247	997 995
4	Top, Mixing Chamber	VM18049	997 213
5	Spring, Throttle Valve	VM18119	997 214
6	Cap, Jet Needle Retaining	VM180128	997 498
7	O-Ring, Jet Needle	VM02059	997 993
8	Jet Needle	28.4F 18	---
9	Throttle Valve (plate)	VM18119-1 9	997 475
10	Rubber Cap, Starter Plunger	VM02045	997 994
11	Pin, Starter Plunger	VM02058	997 995
12	Spring, Starter Plunger	VM18042	997 415
13	Starter Plunger	VM18144	997 992
14	Spring Plate, Starter Lever	VM18157	---
15	Starter Lever	VM18019	997 997
16	Washer, Starter Lever	2025-138	---
17	Nut, Clamp Bolt	H1 - 01	997 279
18	Sealing Ring, Rubber	VM18126	997 268
19	Ring, Insulator (I.D. = 23mm)	VM18127	997 267
20	Pilot Jet	VM02019	---
21	Needle Jet	VM180117 6.0	---
22	Main Jet	949382	---
23	Gasket, Float Bowl	VM17161	997 282
24	Float Bowl	VM18161	997 283
25	Screen, Float Bowl 6x16mm	CV0-0414	997 572
26	Air Adjusting Screw	VM02069	997 736
27	Spring, Air Adjusting Screw	VM18112	997 993
28	Spring, Idle Adjusting Screw	VM18112	997 993
29	Idle Adjusting Screw	VM18164	997 284
30	Nut, Clamp	VM1805	997 285
31	Washer, Needle Valve Seat	VM1807	997 286
32	Needle Valve Assembly	VM18172 - #1.5	997 288
33	Float Bowl	VM17169	997 289
34	Pin, Float	930232	997 577
35	Float, Overflow	VM1308	---

# Mikini Btm Manual

**D Siedentop**



**Mikini Btm Manual:**

Yeah, reviewing a ebook **Mikini Btm Manual** could accumulate your near links listings. This is just one of the solutions for you to be successful. As understood, realization does not recommend that you have astounding points.

Comprehending as capably as contract even more than new will manage to pay for each success. next-door to, the message as skillfully as perception of this Mikini Btm Manual can be taken as without difficulty as picked to act.

<https://staging.conocer.cide.edu/public/book-search/HomePages/english%20fal%20paper%20%20grade%2011%20exemplar%202014.pdf>

## **Table of Contents Mikini Btm Manual**

1. Understanding the eBook Mikini Btm Manual
  - The Rise of Digital Reading Mikini Btm Manual
  - Advantages of eBooks Over Traditional Books
2. Identifying Mikini Btm Manual
  - Exploring Different Genres
  - Considering Fiction vs. Non-Fiction
  - Determining Your Reading Goals
3. Choosing the Right eBook Platform
  - Popular eBook Platforms
  - Features to Look for in an Mikini Btm Manual
  - User-Friendly Interface
4. Exploring eBook Recommendations from Mikini Btm Manual
  - Personalized Recommendations
  - Mikini Btm Manual User Reviews and Ratings
  - Mikini Btm Manual and Bestseller Lists
5. Accessing Mikini Btm Manual Free and Paid eBooks
  - Mikini Btm Manual Public Domain eBooks

- Mikini Btm Manual eBook Subscription Services
- Mikini Btm Manual Budget-Friendly Options
- 6. Navigating Mikini Btm Manual eBook Formats
  - ePub, PDF, MOBI, and More
  - Mikini Btm Manual Compatibility with Devices
  - Mikini Btm Manual Enhanced eBook Features
- 7. Enhancing Your Reading Experience
  - Adjustable Fonts and Text Sizes of Mikini Btm Manual
  - Highlighting and Note-Taking Mikini Btm Manual
  - Interactive Elements Mikini Btm Manual
- 8. Staying Engaged with Mikini Btm Manual
  - Joining Online Reading Communities
  - Participating in Virtual Book Clubs
  - Following Authors and Publishers Mikini Btm Manual
- 9. Balancing eBooks and Physical Books Mikini Btm Manual
  - Benefits of a Digital Library
  - Creating a Diverse Reading Collection Mikini Btm Manual
- 10. Overcoming Reading Challenges
  - Dealing with Digital Eye Strain
  - Minimizing Distractions
  - Managing Screen Time
- 11. Cultivating a Reading Routine Mikini Btm Manual
  - Setting Reading Goals Mikini Btm Manual
  - Carving Out Dedicated Reading Time
- 12. Sourcing Reliable Information of Mikini Btm Manual
  - Fact-Checking eBook Content of Mikini Btm Manual
  - Distinguishing Credible Sources
- 13. Promoting Lifelong Learning
  - Utilizing eBooks for Skill Development
  - Exploring Educational eBooks

## 14. Embracing eBook Trends

- Integration of Multimedia Elements
- Interactive and Gamified eBooks

### **Mikini Btm Manual Introduction**

In today's digital age, the availability of Mikini Btm Manual books and manuals for download has revolutionized the way we access information. Gone are the days of physically flipping through pages and carrying heavy textbooks or manuals. With just a few clicks, we can now access a wealth of knowledge from the comfort of our own homes or on the go. This article will explore the advantages of Mikini Btm Manual books and manuals for download, along with some popular platforms that offer these resources. One of the significant advantages of Mikini Btm Manual books and manuals for download is the cost-saving aspect. Traditional books and manuals can be costly, especially if you need to purchase several of them for educational or professional purposes. By accessing Mikini Btm Manual versions, you eliminate the need to spend money on physical copies. This not only saves you money but also reduces the environmental impact associated with book production and transportation. Furthermore, Mikini Btm Manual books and manuals for download are incredibly convenient. With just a computer or smartphone and an internet connection, you can access a vast library of resources on any subject imaginable. Whether you're a student looking for textbooks, a professional seeking industry-specific manuals, or someone interested in self-improvement, these digital resources provide an efficient and accessible means of acquiring knowledge. Moreover, PDF books and manuals offer a range of benefits compared to other digital formats. PDF files are designed to retain their formatting regardless of the device used to open them. This ensures that the content appears exactly as intended by the author, with no loss of formatting or missing graphics. Additionally, PDF files can be easily annotated, bookmarked, and searched for specific terms, making them highly practical for studying or referencing. When it comes to accessing Mikini Btm Manual books and manuals, several platforms offer an extensive collection of resources. One such platform is Project Gutenberg, a nonprofit organization that provides over 60,000 free eBooks. These books are primarily in the public domain, meaning they can be freely distributed and downloaded. Project Gutenberg offers a wide range of classic literature, making it an excellent resource for literature enthusiasts. Another popular platform for Mikini Btm Manual books and manuals is Open Library. Open Library is an initiative of the Internet Archive, a non-profit organization dedicated to digitizing cultural artifacts and making them accessible to the public. Open Library hosts millions of books, including both public domain works and contemporary titles. It also allows users to borrow digital copies of certain books for a limited period, similar to a library lending system. Additionally, many universities and educational institutions have their own digital libraries that provide free access to PDF books and manuals. These libraries often offer academic texts, research papers, and technical manuals,

making them invaluable resources for students and researchers. Some notable examples include MIT OpenCourseWare, which offers free access to course materials from the Massachusetts Institute of Technology, and the Digital Public Library of America, which provides a vast collection of digitized books and historical documents. In conclusion, Mikini Btm Manual books and manuals for download have transformed the way we access information. They provide a cost-effective and convenient means of acquiring knowledge, offering the ability to access a vast library of resources at our fingertips. With platforms like Project Gutenberg, Open Library, and various digital libraries offered by educational institutions, we have access to an ever-expanding collection of books and manuals. Whether for educational, professional, or personal purposes, these digital resources serve as valuable tools for continuous learning and self-improvement. So why not take advantage of the vast world of Mikini Btm Manual books and manuals for download and embark on your journey of knowledge?

### **FAQs About Mikini Btm Manual Books**

How do I know which eBook platform is the best for me? Finding the best eBook platform depends on your reading preferences and device compatibility. Research different platforms, read user reviews, and explore their features before making a choice. Are free eBooks of good quality? Yes, many reputable platforms offer high-quality free eBooks, including classics and public domain works. However, make sure to verify the source to ensure the eBook credibility. Can I read eBooks without an eReader? Absolutely! Most eBook platforms offer webbased readers or mobile apps that allow you to read eBooks on your computer, tablet, or smartphone. How do I avoid digital eye strain while reading eBooks? To prevent digital eye strain, take regular breaks, adjust the font size and background color, and ensure proper lighting while reading eBooks. What the advantage of interactive eBooks? Interactive eBooks incorporate multimedia elements, quizzes, and activities, enhancing the reader engagement and providing a more immersive learning experience. Mikini Btm Manual is one of the best book in our library for free trial. We provide copy of Mikini Btm Manual in digital format, so the resources that you find are reliable. There are also many Ebooks of related with Mikini Btm Manual. Where to download Mikini Btm Manual online for free? Are you looking for Mikini Btm Manual PDF? This is definitely going to save you time and cash in something you should think about. If you trying to find then search around for online. Without a doubt there are numerous these available and many of them have the freedom. However without doubt you receive whatever you purchase. An alternate way to get ideas is always to check another Mikini Btm Manual. This method for see exactly what may be included and adopt these ideas to your book. This site will almost certainly help you save time and effort, money and stress. If you are looking for free books then you really should consider finding to assist you try this. Several of Mikini Btm Manual are for sale to free while some are payable. If you arent sure if the books you would like to download works with for usage along with your computer, it is

possible to download free trials. The free guides make it easy for someone to free access online library for download books to your device. You can get free download on free trial for lots of books categories. Our library is the biggest of these that have literally hundreds of thousands of different products categories represented. You will also see that there are specific sites catered to different product types or categories, brands or niches related with Mikini Btm Manual. So depending on what exactly you are searching, you will be able to choose e books to suit your own need. Need to access completely for Campbell Biology Seventh Edition book? Access Ebook without any digging. And by having access to our ebook online or by storing it on your computer, you have convenient answers with Mikini Btm Manual To get started finding Mikini Btm Manual, you are right to find our website which has a comprehensive collection of books online. Our library is the biggest of these that have literally hundreds of thousands of different products represented. You will also see that there are specific sites catered to different categories or niches related with Mikini Btm Manual So depending on what exactly you are searching, you will be able to choose ebook to suit your own need. Thank you for reading Mikini Btm Manual. Maybe you have knowledge that, people have search numerous times for their favorite readings like this Mikini Btm Manual, but end up in harmful downloads. Rather than reading a good book with a cup of coffee in the afternoon, instead they juggled with some harmful bugs inside their laptop. Mikini Btm Manual is available in our book collection an online access to it is set as public so you can download it instantly. Our digital library spans in multiple locations, allowing you to get the most less latency time to download any of our books like this one. Merely said, Mikini Btm Manual is universally compatible with any devices to read.

### **Find Mikini Btm Manual :**

**english fal paper 2 grade 11 exemplar 2014**

~~entrance examination into knust~~

**english grammar in use supplementary exercises with answers**

~~enjin bot yamaha 40hp~~

**english story gcse past papers**

english guide for class ncert

**english for libya preparatory 3 guide**

~~enterprise linux installation guide~~

english literature golden guide class 10 cbse 2015

*entourage episodes guide*

**english fal sample paper thutong**

**english word list collection**



english language mock exam papers 2012  
enough wasted time an erotic story for women english edition  
*enough of no love part 3 volume 3*

**Mikini Btm Manual :**

pamishan creatures dichotomous key studylib net - Feb 09 2023

web taxonomy classification and dichotomous keys help scientists have discovered quite a few new creatures on planet pamishan they need your help to identify and classify them use the dichotomous key on the next page to identify these creatures 1 2 3 4 5 6 7 8 9 10 11 12 13 14 15 16 17 18 19 20 a key to new pamishan 1 2

**pamishan creatures dichotomous key quizizz** - May 12 2023

web pamishan creatures dichotomous key quiz for 9th grade students find other quizzes for science and more on quizizz for free

pamishan creatures the biology corner - Apr 11 2023

web scientists have discovered quite a few new creatures on planet pamishan they need your help to identify and classify them use the dichotomous key on the next page to identify these creatures

**a dichotomous key for pamishan creatures doc course hero** - Apr 30 2022

web a dichotomous key for pamishan creatures 1 a the creature has a large wide head go to 2 b the creature has a small narrow head go to 11 2 a it has 3 eyes go to 3 b

**pamishan dichotomous key docx pamishan creatures** - Aug 03 2022

web biology 101 pamishan creatures taxonomy classification and using a dichotomous key scientists have discovered the creatures below on planet pamishan they need help identifying and classifying them use the dichotomous key on the next page to identify each creature dichotomous key using the key look at

pamishan dichotomous key pdf name period date u - Jun 01 2022

web name period date u key to new pamishan 1 a the creature has a large wide head go to 2 b the creature has a small narrow head go to 11 2 a it has 3 eyes go to 3 b it has 2 eyes go to 7 3 a there is a star in the middle of its chest go to 4 b there is no star in the middle of its chest go to 6 4 a the creature

*taxonomy classification and dichotomous keys fulton county* - Jul 02 2022

web may 11 2014 scientists have discovered quite a few new creatures on planet pamishan they need br your help to identify strong and strong classify them use the dichotomous key on the next page to identify br these creatures br 1 br narrowus br portus br 2 br broadus br archus br 3 br narrowus br

*bio11f assignment pamishan creatures with answers - Dec 07 2022*

web french assignment in class or take home dichotomous key credit to e mcintyre cpa biodiversity unit

*pamishan creatures pdf google drive - Oct 05 2022*

web view details request a review learn more

*a key to new pamishan creatures answers solomonii02 - Jan 28 2022*

web key to planet pamishan dichotomous this dichotomous key pamishan creatures dichotomous key a this dichotomous key creatures dichotomous key help scientists can you help me with pamishan creatures taxonomy answers scientists have discovered quite a few new creatures on planet pamishan

**pamishan creatures dichotomous key answers pdf** - Dec 27 2021

web pamishan creatures dichotomous key answers evolution feb 20 2022 text and color photographs examine the early theories of evolution the work of darwin fossils dna and the effects of evolution on us and the future the pen jan 28 2020 what is god and what is humanity s place in the universe the author attempts to shed light on these

**pamishan creature dichotomous key and answer sheet 2 doc** - Jul 14 2023

web commodoreart2202 3 4 2021 dichotomous key pamishan creatures 1 a the creature has a large wide head go to 2 b the creature has a small narrow head go to 11 2 a it has 3 eyes go to 3 b it has 2

dichotomouskey pamishans 5answers 5d name date hr pr key - Aug 15 2023

web name date hr pr key taxonomy classification and dichotomous keys help scientists have discovered quite a few new creatures on planet pamishan they need your help to identify and classify them use the dichotomous key on the next page to identify these creatures 1 narrowus portus 2 broadus archus 3

final using taxonomic keys practice pamishan creatures - Jan 08 2023

web using taxonomic keys practice pamishan creatures taxonomy classification and dichotomous keys help scientists have discovered quite few new crewatures on skip to document ask an expert chapter 1 2 answer key law gender and society all in source 10 e lms quiz 1 design thinking

pamishan creatures taxonomy life s filing system crash - Nov 06 2022

web taxonomy classification and dichotomous keys help scientists had discovers quite a few new crewatures on planet pamishan they need your help to identify and classify them use the dichotomic key on the next page to identify these beasts

**the pamishan classification and dichotomous key activity** - Jun 13 2023

web the pamishan classification and dichotomous key activity objective to identify and classify newly discovered creatures from the planet pamishan using a dichotomous key background dichotomous means divided into two

**pamishan creatures alien dichotomous key worksheet answers** - Mar 30 2022

web taxonomy classification and bifurcation keys help scientists have discovered quite a few modern creatures switch plane  
pamishan they need your help toward distinguish both classify them use aforementioned dichotomous key on the next page to  
identify these creatures

**key to a new pamishan key taxonomy classification and dichotomous** - Sep 04 2022

web taxonomy classification and dichotomous keys help scientists have discovered quite a few new creatures on planet  
pamishan they need your help to identify and classify them use the dichotomous key on the next page to identify these  
creatures 1 narrowus portus 2 broadus archus 3 narrowus plainus 4 broadus hairyemmus 5 broadus hairus 6

**pamishan creatures identifying aliens with a dichotomous key answers** - Mar 10 2023

web taxonomy classification and dichotomous keys help scientists may discovered quite a few new creatures in planet  
pamishan they need is help to identify the classify them use the dichotomous key on the next page till identify save creatures  
alien creation leaves copy of bifurcated key samples of dichotomous keys

**pamishan creatures answer key study finder** - Feb 26 2022

web the creature has a large wide head the is no star in the middle of its body the creature has hair spikes broadus hairus  
the creature has no hair spikes the creature has an m shaped bottum make sure to given we are no longer able to meet in  
person use the dichotomous key on the next page to identify these creatures

**voip over vsat good bandwidth but high delay cisco** - Jan 12 2023

web sep 30 2002 hi all this interesting scenario requiring the help of all voip gurus i am trying to setup a voip call over a  
vsat link the link has ample bandwidth but terrible

**reduction delay in vsat packet transfer** - May 04 2022

web reduction delay in vsat packet transfer reduction delay in vsat packet transfer rfc 3135 part 2 of 2 tech invite com  
optimizing ip traffic over satellite tmcnet

*reduction delay in vsat packet transfer mail nocodeapi com* - Mar 02 2022

web reduction delay in vsat packet transfer bandwidth on a cable voip and satellite systems nsgdata june 19th 2018 vsat  
systems by corporate with voip and

*reduction delay in vsat packet transfer* - Nov 10 2022

web reduction delay in vsat packet transfer implementing voip support in a vsat network based on june 4th 2018  
implementing voip support in a vsat network based on

*reduction delay in vsat packet transfer* - Nov 29 2021

web reduction delay in vsat packet transfer reduction delay in vsat packet transfer calculating the time it would take to  
transfer data across ccna 4 chapter 1 exam

*reduction delay in vsat packet transfer dev2 fxstat com* - Oct 09 2022

web reduction delay in vsat packet transfer satellite backhaul uhp networks a new queue discipline for reducing bufferbloat effects in gige vision bandwidth

**reduction delay in vsat packet transfer** - Jun 05 2022

web packetlife net efficient support of circuit mode and packet mode services packet delay variation wikipedia european ets 300 194

*reduction delay in vsat packet transfer copy ai classmonitor* - Oct 21 2023

web 2 reduction delay in vsat packet transfer 2022 01 06 the art developments in optical networks includes examples throughout all the chapters of the book to aid understanding of basic problems and solutions network world igi global this book provides up to date

**reduction delay in vsat packet transfer** - Aug 19 2023

web reduction delay in vsat packet transfer path delays packet ratio in the multipath tcp optimize your network with xiplink and idirect satellite june 19th 2018 this was led

*reduction delay in vsat packet transfer* - Dec 31 2021

web reduction delay in vsat packet transfer reduction delay in vsat packet transfer ip latency statistics verizon enterprise solutions what s normal for latency and packet

**delay performance of vsat based satellite wide area networks** - Jul 18 2023

web very small aperture terminals are used as transport gateways to interconnect local area networks through satellites to form a wide area network this paper concentrates on

**reduction delay in vsat packet transfer tug do nlnetlabs nl** - Feb 01 2022

web sep 1 2023 reduction delay in vsat packet transfer how broadband satellite internet works vsat systems ip latency statistics verizon enterprise solutions european

**reduction delay in vsat packet transfer rhur impacthub net** - Sep 08 2022

web sep 4 2023 reduction delay in vsat packet transfer rhur impacthub net 7 43 ccna 4 chapter 1 exam answers cisco ccna june 24th 2018 ccna 4 chapter 1

**delay performance of vsat based satellite wide area networks** - May 16 2023

web delay performance of vsat based satellite wide area networks sunghui lin 1993 international journal of satellite communications the evolution of very small aperture

**how does vsat handle network packet loss ts2 space** - Feb 13 2023

web feb 24 2023 vsat is an ideal solution for businesses that need a reliable connection in remote or rural locations with

vsat businesses can access high speed internet and

*reduction delay in vsat packet transfer cdn writermag - Sep 20 2023*

web reduction delay in vsat packet transfer 3 3 terrestrial public access networks through interconnection of clusters of broadband islands such as lans and mans in remote

*reduction delay in vsat packet transfer iet donnu edu ua - Apr 03 2022*

web reduction delay in vsat packet transfer tcp ip protocol and other applications over vsat systems implementing voip support in a vsat network based on old glossary

reduction delay in vsat packet transfer copy vps huratips - Apr 15 2023

web reduction delay in vsat packet transfer 3 3 telecommunications electronics and computer science practising telecommunications engineers and technical managers

*reduction delay in vsat packet transfer rhur impacthub net - Mar 14 2023*

web sep 27 2023 reduction delay in vsat packet transfer what s normal for latency and packet loss pingman tools implementing voip support in a vsat network based on

**reduction delay in vsat packet transfer pdf full pdf china int - Dec 11 2022**

web introduction reduction delay in vsat packet transfer pdf full pdf satellite communications systems engineering louis j ippolito jr 2017 02 28 the first edition

*reduction delay in vsat packet transfer dev2 fxstat com - Jul 06 2022*

web packet delay variation wikipedia tcp nasa asymmetric digital subscriber line wikipedia reduction delay in vsat packet transfer non linear distortion noise cancellation for

*reduction delay in vsat packet transfer - Jun 17 2023*

web satellite reduction delay in vsat packet transfer minimizing latency in satellite networks via satellite old glossary scada supervisory control and data rfc 3135

reduction delay in vsat packet transfer - Aug 07 2022

web reduction delay in vsat packet transfer reduction delay in vsat packet transfer optimizing ip traffic over satellite tmcnet calculating the time it would take

**science fusion grade 4 archive org - Aug 08 2023**

web english grades 1 6 includes indexes v 6 life science grade 2 units a b v 7 earth science grade 2 units c d v 8 physical science grade 2 units e f

*harcourt science harcourt inc free download borrow and - Jul 07 2023*

web sep 12 2019 houghton mifflin harcourt houghton mifflin harcourt publishing company sep 12 2019 education 136 pages

these all inclusive skills resources provide the

**interactive science 2012 hmh journeys grade 4 pearson** - Jan 01 2023

web some of the worksheets displayed are harcourt science grade 4 assessment 6271 harcourt science assessment guide grade 4 storytown grade 4 practice spelling book

harcourt science student edition workbook grade 4 - Jun 25 2022

web the pages of 4th grade harcourt science workbook answer key an enchanting fictional value brimming with natural feelings lies an immersive symphony waiting to be embraced

**harcourtsienceanswerkeygrade4 houghton mifflin harcourt** - Feb 19 2022

web the hmh science dimensions 4th grade assessment guide includes formative summative and performance based assessments at the lesson unit and benchmark

**harcourt science grade 4 worksheets study common core** - Oct 30 2022

web some of the worksheets displayed are harcourt science grade 4 assessment 6271 harcourt science assessment guide grade 4 storytown grade 4 practice spelling book

*harcourt science grades 3 4 answer key kolbe academy* - Feb 02 2023

web houghton mifflin harcourt journeys science content and skills grade 4 key se student edition te teacher edition 4 hmh journeys science selections and skills grade 4

harcourt science grade 4 worksheets learny kids - Sep 09 2023

web science fusion grade 4 free download borrow and streaming internet archive science fusion grade 4 publication date 2012 topics science study and

**harcourt science grade 4 free download borrow** - Oct 10 2023

web some of the worksheets for this concept are harcourt science grade 4 assessment 6271 harcourt science assessment guide grade 4 storytown grade 4 practice spelling book

4th grade harcourt science workbook answer key download - May 25 2022

web paperback harcourt school publishers grade 4 hsp science assessment guide copyright date 2009 chapter and unit tests with answer keys assessment

**harcourt science answer key grade 4 download only** - Dec 20 2021

web some of the worksheets for this concept are harcourt science grade 4 assessment 6271 harcourt science assessment guide grade 4 storytown grade 4 practice spelling book

**4th grade harcourt science flashcards and study sets quizlet** - Apr 04 2023

web study with quizlet and memorize flashcards containing terms like transpiration tuber taproots and more

**harcourt science grade 4 unit a chapter 3 flashcards quizlet** - Mar 03 2023

web provides answers to all the questions assigned in the kolbe academy 3rd 4th grade science course plans course this book is used in science 3 4 homeschool

**harcourt science assessment guide grade 4 goodreads** - Apr 23 2022

web sep 1 2006 hardcover 656 pages isbn 10 0153400633 isbn 13 978 0153400636 grade level 4 and up item weight 3 6 pounds dimensions 8 25 x

**core skills science workbook grade 4 houghton mifflin** - Jun 06 2023

web worksheets are harcourt science grade 4 assessment 6271 harcourt science assessment guide grade 4 storytown grade 4 practice spelling book harcourt spelling

*harcourt science grade 4 worksheets printable worksheets* - Nov 30 2022

web some of the worksheets for this concept are harcourt science grade 4 assessment 6271 harcourt science assessment guide grade 4 storytown grade 4 practice spelling book

*hmh science dimensions assessment guide grade 4* - Jan 21 2022

web science a closer look grade 4 student edition mcgraw hill 2009 07 06 the grade 4 student edition covers units such as living things ecosystems matter and forces of

**harcourt science grade 4 worksheets k12 workbook** - May 05 2023

web learn 4th grade harcourt science with free interactive flashcards choose from 5 000 different sets of 4th grade harcourt science flashcards on quizlet

*houghton mifflin harcourt science fusion grade 4 answer key* - Aug 28 2022

web worksheets are harcourt science grade 4 assessment 6271 harcourt science assessment guide grade 4 storytown grade 4 practice spelling book harcourt spelling

**harcourt science grade 4 worksheets teacher worksheets** - Sep 28 2022

web 4th grade science fusion grade 4 answer key mylibrary org 4th grade science fusion grade 4 answer key added by request 1409 kb s 6100 4th grade science

**harcourt science grade 4 amazon com** - Mar 23 2022

web harcourt science earth science grade 4 units c and d teacher s ed 2000 skill sharpeners science grade 4 workbook evan moor corporation 2015 provides at

**harcourt science grade 4 worksheets kiddy math** - Nov 18 2021

*harcourt science grade 4 worksheets lesson worksheets* - Jul 27 2022

web jan 1 2002 harcourt science student edition workbook grade 4 paperback january 1 2002 by harcourt school publishers  
author 4 5 4 5 out of 5 stars 37 ratings