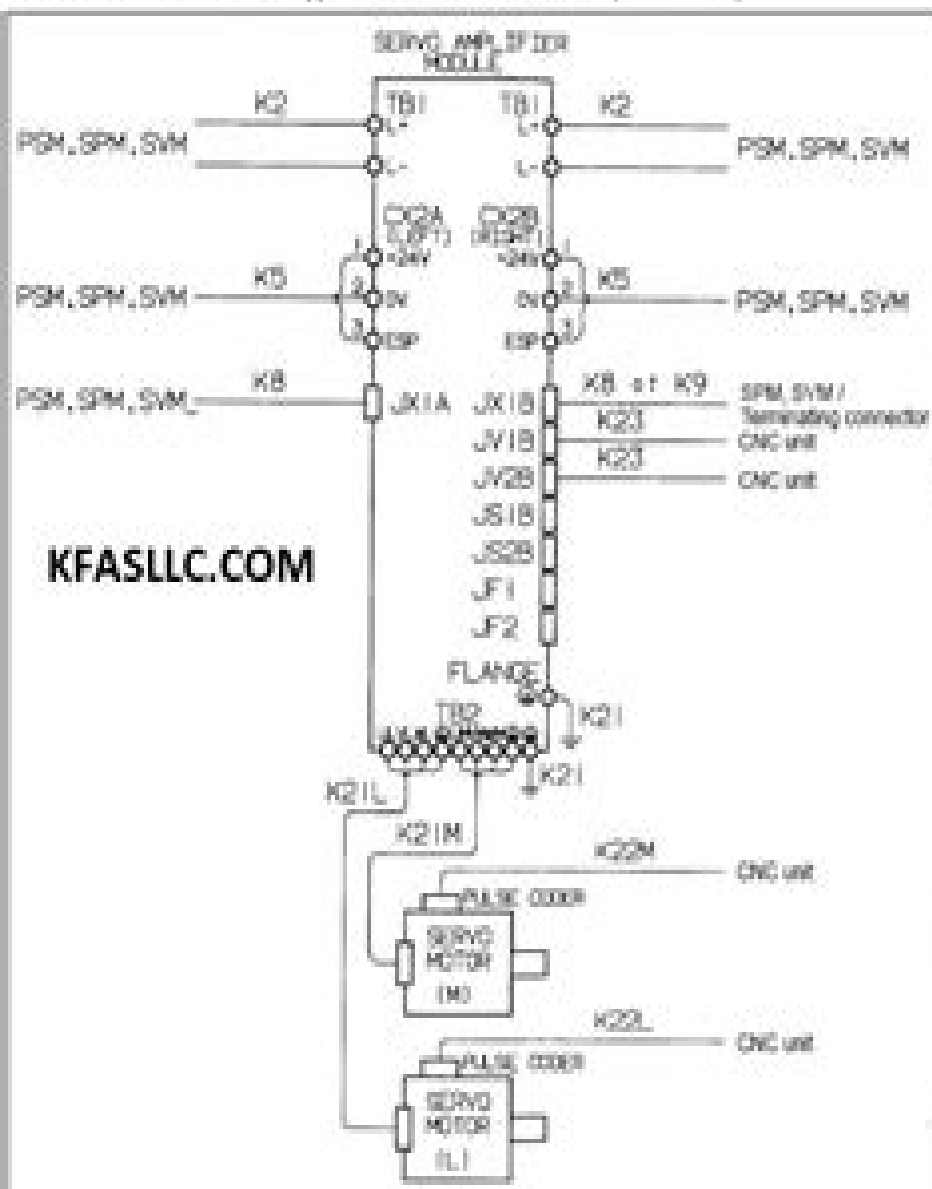


TYPE A interface (when Fanuc 0 or 10 control is used. Notice: Pulse feedback is connected to axis control board of CNC as oppose to the J1/J2 of servo amplifier module)



KFASLLC.COM



Names of connectors and terminal blocks

	Names	Display	Remarks
1	DC link terminal block		Display the terminal block TB2
2	Battery for ABS pulse coder	BATTERY	ABS-6073-R001
3	Status LED	STATUS	
4	Power connector for ABS pulse coder battery	CK5A	
5	interface switching connector	S1/S2	Type-A interface: S1 Type-B interface: S2
6	Fuse for 24V power	F2	3.2A, 48VDC
7	24V power I/O connector	CK2A/CK2B	
8	DC link charge LED		(Warning)
9	Signal check connector	JX5	Use as S/M check board
10	input connector for interface between modules	JX1A	
11	Output connector for interface between modules	JX1B	
12	NC interface connector : L axis for type-A interface	FAM11/J1B	FS14, FS14, FS15, F50, etc
13	NC interface connector : M axis for type-A interface	FAM12/J2B	FS14, FS14, FS15, F50, etc
14	NC interface connector : L axis for type-B interface	FAM21/J1B	FS20, FS21-0, etc.
15	NC interface connector : M axis for type-B interface	FAM22/J2B	FS20, FS21-0, etc.
16	Pulse coder connector : L axis	ENC1/JF1	Only for type-B interface
17	Pulse coder connector : M axis	ENC2/JF2	Only for type-B interface
18	Terminal block for motor power line : M axis		Display the terminal block TB2
19	Terminal block for motor power line : L axis		Display the terminal block TB2
20	Earth plate		Attached to amplifier
21	Tapped hole for grounding the flange		

WARNING
Do not touch module components or connected cables while this LED is lit. There is a danger of electric shock.

Fanuc Beta Spindle Amplifire Trouble Manual

M Carnoy



Fanuc Beta Spindle Amplifire Trouble Manual:

Ignite the flame of optimism with its motivational masterpiece, Find Positivity in **Fanuc Beta Spindle Amplifire Trouble Manual** . In a downloadable PDF format (PDF Size: *), this ebook is a beacon of encouragement. Download now and let the words propel you towards a brighter, more motivated tomorrow.

https://staging.conocer.cide.edu/book/publication/Download_PDFS/midmark%20m9%20ultraclave%20service%20manual%20user%20guide.pdf

Table of Contents Fanuc Beta Spindle Amplifire Trouble Manual

1. Understanding the eBook Fanuc Beta Spindle Amplifire Trouble Manual
 - The Rise of Digital Reading Fanuc Beta Spindle Amplifire Trouble Manual
 - Advantages of eBooks Over Traditional Books
2. Identifying Fanuc Beta Spindle Amplifire Trouble Manual
 - Exploring Different Genres
 - Considering Fiction vs. Non-Fiction
 - Determining Your Reading Goals
3. Choosing the Right eBook Platform
 - Popular eBook Platforms
 - Features to Look for in an Fanuc Beta Spindle Amplifire Trouble Manual
 - User-Friendly Interface
4. Exploring eBook Recommendations from Fanuc Beta Spindle Amplifire Trouble Manual
 - Personalized Recommendations
 - Fanuc Beta Spindle Amplifire Trouble Manual User Reviews and Ratings
 - Fanuc Beta Spindle Amplifire Trouble Manual and Bestseller Lists
5. Accessing Fanuc Beta Spindle Amplifire Trouble Manual Free and Paid eBooks
 - Fanuc Beta Spindle Amplifire Trouble Manual Public Domain eBooks
 - Fanuc Beta Spindle Amplifire Trouble Manual eBook Subscription Services
 - Fanuc Beta Spindle Amplifire Trouble Manual Budget-Friendly Options

6. Navigating Fanuc Beta Spindle Amplifire Trouble Manual eBook Formats
 - ePub, PDF, MOBI, and More
 - Fanuc Beta Spindle Amplifire Trouble Manual Compatibility with Devices
 - Fanuc Beta Spindle Amplifire Trouble Manual Enhanced eBook Features
7. Enhancing Your Reading Experience
 - Adjustable Fonts and Text Sizes of Fanuc Beta Spindle Amplifire Trouble Manual
 - Highlighting and Note-Taking Fanuc Beta Spindle Amplifire Trouble Manual
 - Interactive Elements Fanuc Beta Spindle Amplifire Trouble Manual
8. Staying Engaged with Fanuc Beta Spindle Amplifire Trouble Manual
 - Joining Online Reading Communities
 - Participating in Virtual Book Clubs
 - Following Authors and Publishers Fanuc Beta Spindle Amplifire Trouble Manual
9. Balancing eBooks and Physical Books Fanuc Beta Spindle Amplifire Trouble Manual
 - Benefits of a Digital Library
 - Creating a Diverse Reading Collection Fanuc Beta Spindle Amplifire Trouble Manual
10. Overcoming Reading Challenges
 - Dealing with Digital Eye Strain
 - Minimizing Distractions
 - Managing Screen Time
11. Cultivating a Reading Routine Fanuc Beta Spindle Amplifire Trouble Manual
 - Setting Reading Goals Fanuc Beta Spindle Amplifire Trouble Manual
 - Carving Out Dedicated Reading Time
12. Sourcing Reliable Information of Fanuc Beta Spindle Amplifire Trouble Manual
 - Fact-Checking eBook Content of Fanuc Beta Spindle Amplifire Trouble Manual
 - Distinguishing Credible Sources
13. Promoting Lifelong Learning
 - Utilizing eBooks for Skill Development
 - Exploring Educational eBooks
14. Embracing eBook Trends
 - Integration of Multimedia Elements

- Interactive and Gamified eBooks

Fanuc Beta Spindle Amplifire Trouble Manual Introduction

Free PDF Books and Manuals for Download: Unlocking Knowledge at Your Fingertips In today's fast-paced digital age, obtaining valuable knowledge has become easier than ever. Thanks to the internet, a vast array of books and manuals are now available for free download in PDF format. Whether you are a student, professional, or simply an avid reader, this treasure trove of downloadable resources offers a wealth of information, conveniently accessible anytime, anywhere. The advent of online libraries and platforms dedicated to sharing knowledge has revolutionized the way we consume information. No longer confined to physical libraries or bookstores, readers can now access an extensive collection of digital books and manuals with just a few clicks. These resources, available in PDF, Microsoft Word, and PowerPoint formats, cater to a wide range of interests, including literature, technology, science, history, and much more. One notable platform where you can explore and download free Fanuc Beta Spindle Amplifire Trouble Manual PDF books and manuals is the internet's largest free library. Hosted online, this catalog compiles a vast assortment of documents, making it a veritable goldmine of knowledge. With its easy-to-use website interface and customizable PDF generator, this platform offers a user-friendly experience, allowing individuals to effortlessly navigate and access the information they seek. The availability of free PDF books and manuals on this platform demonstrates its commitment to democratizing education and empowering individuals with the tools needed to succeed in their chosen fields. It allows anyone, regardless of their background or financial limitations, to expand their horizons and gain insights from experts in various disciplines. One of the most significant advantages of downloading PDF books and manuals lies in their portability. Unlike physical copies, digital books can be stored and carried on a single device, such as a tablet or smartphone, saving valuable space and weight. This convenience makes it possible for readers to have their entire library at their fingertips, whether they are commuting, traveling, or simply enjoying a lazy afternoon at home. Additionally, digital files are easily searchable, enabling readers to locate specific information within seconds. With a few keystrokes, users can search for keywords, topics, or phrases, making research and finding relevant information a breeze. This efficiency saves time and effort, streamlining the learning process and allowing individuals to focus on extracting the information they need. Furthermore, the availability of free PDF books and manuals fosters a culture of continuous learning. By removing financial barriers, more people can access educational resources and pursue lifelong learning, contributing to personal growth and professional development. This democratization of knowledge promotes intellectual curiosity and empowers individuals to become lifelong learners, promoting progress and innovation in various fields. It is worth noting that while accessing free Fanuc Beta Spindle Amplifire Trouble Manual PDF books and manuals is convenient and cost-effective, it is vital to respect copyright laws and intellectual property rights. Platforms offering free

downloads often operate within legal boundaries, ensuring that the materials they provide are either in the public domain or authorized for distribution. By adhering to copyright laws, users can enjoy the benefits of free access to knowledge while supporting the authors and publishers who make these resources available. In conclusion, the availability of Fanuc Beta Spindle Amplifire Trouble Manual free PDF books and manuals for download has revolutionized the way we access and consume knowledge. With just a few clicks, individuals can explore a vast collection of resources across different disciplines, all free of charge. This accessibility empowers individuals to become lifelong learners, contributing to personal growth, professional development, and the advancement of society as a whole. So why not unlock a world of knowledge today? Start exploring the vast sea of free PDF books and manuals waiting to be discovered right at your fingertips.

FAQs About Fanuc Beta Spindle Amplifire Trouble Manual Books

How do I know which eBook platform is the best for me? Finding the best eBook platform depends on your reading preferences and device compatibility. Research different platforms, read user reviews, and explore their features before making a choice. Are free eBooks of good quality? Yes, many reputable platforms offer high-quality free eBooks, including classics and public domain works. However, make sure to verify the source to ensure the eBook credibility. Can I read eBooks without an eReader? Absolutely! Most eBook platforms offer webbased readers or mobile apps that allow you to read eBooks on your computer, tablet, or smartphone. How do I avoid digital eye strain while reading eBooks? To prevent digital eye strain, take regular breaks, adjust the font size and background color, and ensure proper lighting while reading eBooks. What the advantage of interactive eBooks? Interactive eBooks incorporate multimedia elements, quizzes, and activities, enhancing the reader engagement and providing a more immersive learning experience. Fanuc Beta Spindle Amplifire Trouble Manual is one of the best book in our library for free trial. We provide copy of Fanuc Beta Spindle Amplifire Trouble Manual in digital format, so the resources that you find are reliable. There are also many Ebooks of related with Fanuc Beta Spindle Amplifire Trouble Manual. Where to download Fanuc Beta Spindle Amplifire Trouble Manual online for free? Are you looking for Fanuc Beta Spindle Amplifire Trouble Manual PDF? This is definitely going to save you time and cash in something you should think about. If you trying to find then search around for online. Without a doubt there are numerous these available and many of them have the freedom. However without doubt you receive whatever you purchase. An alternate way to get ideas is always to check another Fanuc Beta Spindle Amplifire Trouble Manual. This method for see exactly what may be included and adopt these ideas to your book. This site will almost certainly help you save time and effort, money and stress. If you are looking for free books then you really should consider finding to assist you try this. Several of Fanuc Beta Spindle Amplifire Trouble Manual are for sale to free while some are payable. If you arent sure if the books you would like to

download works with for usage along with your computer, it is possible to download free trials. The free guides make it easy for someone to free access online library for download books to your device. You can get free download on free trial for lots of books categories. Our library is the biggest of these that have literally hundreds of thousands of different products categories represented. You will also see that there are specific sites catered to different product types or categories, brands or niches related with Fanuc Beta Spindle Amplifire Trouble Manual. So depending on what exactly you are searching, you will be able to choose e books to suit your own need. Need to access completely for Campbell Biology Seventh Edition book? Access Ebook without any digging. And by having access to our ebook online or by storing it on your computer, you have convenient answers with Fanuc Beta Spindle Amplifire Trouble Manual To get started finding Fanuc Beta Spindle Amplifire Trouble Manual, you are right to find our website which has a comprehensive collection of books online. Our library is the biggest of these that have literally hundreds of thousands of different products represented. You will also see that there are specific sites catered to different categories or niches related with Fanuc Beta Spindle Amplifire Trouble Manual So depending on what exactly you are searching, you will be able to choose ebook to suit your own need. Thank you for reading Fanuc Beta Spindle Amplifire Trouble Manual. Maybe you have knowledge that, people have search numerous times for their favorite readings like this Fanuc Beta Spindle Amplifire Trouble Manual, but end up in harmful downloads. Rather than reading a good book with a cup of coffee in the afternoon, instead they juggled with some harmful bugs inside their laptop. Fanuc Beta Spindle Amplifire Trouble Manual is available in our book collection an online access to it is set as public so you can download it instantly. Our digital library spans in multiple locations, allowing you to get the most less latency time to download any of our books like this one. Merely said, Fanuc Beta Spindle Amplifire Trouble Manual is universally compatible with any devices to read.

Find Fanuc Beta Spindle Amplifire Trouble Manual :

midmark m9 ultraclave service manual user guide

miele g 892 sc manual

microsoft project 2010 instruction manual

microsoft lync design guide

microsoft web application architecture guide

microsoft windows user guide

microsoft wheel mouse mice owners manual

miele s4210 capella vacuums owners manual

microsoft word book template

microsoft office general mcqs filetype
microsoft study guides to pass certification

microsoft office 2013 guide

midland same radio manual

microsoft mobile keyboard 6000 pairing

microsoft visual studio test professional 2012

Fanuc Beta Spindle Amplifire Trouble Manual :

letter for refund of emd pdf business law government - Sep 01 2023

web letter for refund of emd uploaded by rinku mishra refund copyright attribution non commercial by nc available formats download as docx pdf txt or read online from scribd flag for inappropriate content save 81

refund letter format format and how to write the sample letters - May 17 2022

web refund letter format sender s address date dd mm yyyy receiver s address subject salutation body of the letter thank you
on letter head of tenderer food corporation of india - Feb 11 2022

web kindly furnish following valid information for quick refund of emd amount on letter head of tenderer from date

how to handle emd disputes or refunds linkedin - Jan 25 2023

web aug 25 2023 the first step to handle emd disputes or refunds is to understand the terms of your purchase contract this is the document that spells out the conditions and contingencies of the sale such as

[emd refund form refundforms com](#) - Mar 15 2022

web jan 14 2023 emd refund form a refund form is a document which allows customers to request refunds of services or goods it typically requires the person to give information such as the name of the person who is requesting refund their contact information including order number and motive for the request

refund letter format learn how to write with sample letters - Jun 17 2022

web feb 16 2022 learn how to write a refund request letter by going through the format and samples given table of contents
how to write a refund request letter sample letters of refund payment refund application letter refund mail format request
letter for refund of advance payment frequently asked questions on refund letter format

how to refund an emd cryptic amadeus service hub - Feb 23 2023

web apr 7 2023 procedure to refund an emd use the same procedure as e tickets from the query report by entering the sequence number from the pnr by entering the line number of the fa fhd element that contains the emd document number by entering the emd document number enter for example trf125 1234567890 emd

[emd refund process how to write letter for emd refund how to](#) - Mar 27 2023

web emd refund process how to write letter for emd refund how to ask emd refund from client assetyogi sumitk rathi emd refund tender

letter for refund of emd en5kroj10eno documents and e books - Jul 31 2023

web download view letter for refund of emdas pdf for free more details words 119 pages 1 preview full text to the managing director chhattisgarh state industrial development corporation ltd raipur date 27 07 2013sub refund of emd amount

[refund request letter template samples doc formats](#) - Nov 22 2022

web what to include in your refund request letter you will need specific information about your purchase when you prepare to write a refund request letter here are some things you should include in your letter the purchase price of the product the name of the product the date of purchase the store or website from which you purchased it

format for earnest money deposit emd rcilab in - Jul 19 2022

web format for earnest money deposit emd letter of guarantee to the director research centre imarat vignyanakancha p o hyderabad 500 069 acceptance of the letter of indent purchase order by the bidder when issued within the validity period 3 failure to

requesting letter to refund emd need to write a letter to refund - Aug 20 2022

web requestion letter for refund the travel amount request leeter for emd return emd refund request letter tender dd refund amount character paper community experts online select now ask for cost free

[letter for refund of emd letter for refund of emd amount youtube](#) - Apr 27 2023

web aug 16 2021 letter for refund of emd sample request letter for refund in this video you will find a sample request letter for the refund of emd to read the complete letter text visit

application for the request of refund dsiidc - Oct 22 2022

web application for refund of emd other deposits to dated the chief manager rl application no dsiidc mobile no 419 udyog sadan patparganj delhi 110092 sub application for refund of emd other deposits under category

[letter for refund of emd letters in english](#) - Oct 02 2023

web mar 11 2020 subject refund of emd dear sir this is with reference to your tender number dated tender date and the emd amount emd amount deposited with the said tender on emd deposit date vide d d cheque number dd cheque no dated dd cheque date

refund letter format learn how to write with sample letters - Sep 20 2022

web refund letter format requesting someone on aforementioned refund of your amount paid follow the formatting mentioned below real refer up the samples before you writers a request letter

[requesting letter to refund emd ask me fast](#) - May 29 2023

web ref to our earlier letter please request your esteem office to refund the earnest money deposit at the earliest read more the body of the very simplest request letter is usually only one or two paragraphs this is especially true if there is some incentive f read more add your answer

[letter for refund of emd pdf business law government](#) - Dec 24 2022

web letter for refund of emd free download as word drawing doc docx pdf file pdf text file txt otherwise read view for free refundable refund letter used refund of emd

[letter for refund of emd pdf business law government refund](#) - Jun 29 2023

web letter for refund of emd free download like news doc doc docx pdf file pdf text file txt or read online for free refund

refund letter format learn how to write with sample letters - Apr 15 2022

web aware whereby to write ampere letter the a credit is very important in this article we will see how for write an dd cancellation character inquiry draft is one of the most used monetary ways of moving cash

fun living and nonliving things projects for second graders - Jul 08 2022

web sep 30 2008 hands on living vs non living things experiments for second graders that will get them understanding the concept in no time at all these projects are easy to follow and build a lasting foundation for understanding their differences

[2nd grade on living nonliving things lesson worksheets](#) - Apr 05 2022

web showing 8 worksheets for 2nd grade on living nonliving things worksheets are living non living things work for grades k 2 living and nonliving thing

living and nonliving things mrs richardson s class - Jan 14 2023

web march 13 2014 living and nonliving things spring simply lends itself to exploring living and nonliving things in the classroom it s so simple to begin to explain the characteristics of each because they are easily found around us as animals and plants grow and change

[science a z living non living grades k 2 life science unit](#) - Apr 17 2023

web living non living the world is made up of both living and non living things this unit helps students explore the important differences between the two the term living thing refers to things that are now or once were alive a

[living and nonliving things activity for 2nd grade live worksheets](#) - Aug 21 2023

web feb 11 2021 living and nonliving things nata hv member for 3 years 2 months age 6 8 level 2nd grade language english en id 1597609 02 11 2021 country code mx country mexico school subject english as a second language esl 1061958 main

content use of english 2013209 choose the living and nonliving things other

[reading and writing what are living and nonliving things](#) - Mar 04 2022

web during work times a and b students focus on the following cross cutting concept patterns in the natural and human designed world can be observed and used as evidence help students notice patterns that emerge when discussing the distinctions between living and nonliving things

grade 2 science lesson 1 living and non living things - May 18 2023

web grade 2 science lesson 1 living and non living things download the complete course in pdf some more free lessons grade 5 science lesson 3 the vertebrates grade 5 science lesson 14 information and communication grade 2 science lesson 22 being safe from diseases grade 5 science lesson 18 exercise rest and sleep

2nd grade living and nonliving things tpt - Mar 16 2023

web this engaging and packed bundle of resources on living and nonliving things is google classroom ready it contains multiple interactive google slides activities related to living and nonliving things the characteristics of living things understanding what they need to survive and more

living and nonliving things 2nd grade 82 plays quizizz - Jun 07 2022

web 2nd living and nonliving things 2nd grade quiz for 1st grade students find other quizzes for other sciences and more on quizizz for free

living and nonliving science lesson 2nd grade youtube - Nov 12 2022

web a lesson designed to teach second graders the difference between living and non living things

ixl identify living and nonliving things 2nd grade science - Feb 15 2023

web textbooks test prep awards improve your science knowledge with free questions in identify living and nonliving things and thousands of other science skills

2nd grade nonliving and living things worksheets tpt - Dec 13 2022

web using tpt digital activities you can now also use this product also in google classroom for distance learning these worksheets on living and nonliving serve as an introduction to the world of living the worksheets emphasize on the 6 main characteristics of living things 1 living things move 2 living things grow 3

living and nonliving things grade 2 worksheets learny kids - Sep 10 2022

web displaying top 8 worksheets found for living and nonliving things grade 2 some of the worksheets for this concept are name living things living non living things work for grades k 2 living and non living things living and nonliving things work 2 complete the living and non living activity guide identify living and non living things

living and nonliving things activity for 2nd grade - Jun 19 2023

web live worksheets english english as a second language esl use of english living and nonliving things living and nonliving things choose the living and nonliving things id 2574056 language english school subject english as a second language esl

grade level 2nd grade age 6 8

living and non living things science grade 2 3 tutway - Aug 09 2022

web may 26 2019 living and non living things science grade 2 3 tutway characteristics of living things living things and nonliving things characteristics of non living things natural living things and

living and non living things 1 3k plays quizizz - May 06 2022

web living and non living things quiz for 2nd grade students find other quizzes for education and more on quizizz for free

living and non living things reading comprehension - Jul 20 2023

web living and non living things the world is made up of many different things some of the things are living and others are non living a dog swing set car tree flowers and a book are some of the things that make up the world p p there are two different kinds of things in the world

living and non living things grade 2 worksheets k12 workbook - Feb 03 2022

web displaying all worksheets related to living and non living things grade 2 worksheets are living non living things work for grades k 2 living and non living things living non living 5e lesson plan for grades k 2 pdf course science grades 2 grade unit biology classification of living things science work science virtual learning 1st grade living

living and nonliving things grade 2 lesson plan word play - Sep 22 2023

web in this lesson plan second graders use brainpop jr resources to learn the differences between living and nonliving things they also explore similarities among all living things such as their need for energy to survive and ways they differ like how they adapt to their environments

grade 2 living and non living teaching resources wordwall - Oct 11 2022

web wordwall makes it quick and easy to create your perfect teaching resource pick a template enter your content get a pack of printable and interactive activities find out more living and non living living and non living living things grade 1 science living and non living living and non living

pour tout l or des mots au bonheur des mots et merveilles - Sep 03 2022

web pour tout l or des mots au bonheur des mots des mots et merveillesconçu comme un dictionnaire ce volume recense près

pour tout l or des mots au bonheur des mots des mots et - Sep 22 2021

pour tout l or des mots au bonheur des mots des mots et des - Jun 12 2023

web combined rev and expanded version of two titles au bonheur des mots 1989 and des mots et merveilles 1994 related work gagnière claude au bonheur des mots

apprenez donc les mots les plus importants en turc 17 minute - Dec 26 2021

web pour tout l or des mots conçu comme un dictionnaire ce volume recense près de 150 entrées qui insolites ou amusantes excitent

pour tout l or du monde reverso - Mar 29 2022

web apprenez donc les mots les plus importants en turc vous trouverez ici la traduction française de plus de 50 mots et expressions essentiels en turc vous serez ainsi paré

pour tout l or des mots au bonheur des mots des m antoine - Nov 24 2021

pour tout l or des mots au bonheur des mots des mots et des - Jul 13 2023

web pour tout l or des mots au bonheur des mots des mots et des merveilles 5 13 avis résumé voir tout conçu comme un dictionnaire ce volume recense près de 150

pour tout l or des mots au bonheur des mots des m antoine - Oct 24 2021

pour tout l or des mots au bonheur des mots des m copy - Feb 25 2022

web lectures pour tous 1899 pour tout l or des mots claudie gagnière 1997 conçu comme un dictionnaire ce volume recense près de 150 entrées qui insolites ou amusantes

pour tout l or des mots claudie gagnière babelio - Aug 14 2023

web pour tout l or des mots au bonheur des mots des mots et des merveilles gagnière claudie amazon com tr kitap

pour tout l or des mots au bonheur des mots des mots et - Jul 01 2022

web traduction pour tout l or du monde dans le dictionnaire français français de reverso voir aussi du tout au tout en tout bien tout honneur être tout feu tout flamme être tout

pour tout l or des mots claudie gagnière bouquins lisez - Jan 07 2023

web le résultat est bouleversant au bonheur des mots et des mots et merveilles sont des encyclopédies souriantes et irrévérencieuses de la culture et des lettres françaises à

pour tout l or des mots au bonheur des mots des mots et - Dec 06 2022

web apr 25 2019 pour tout l or des mots au bonheur des mots et merveilles de plongez vous dans le livre claudie gagnière au format grand format ajoutez le à votre liste de

pour tout l or des mots au bonheur des mots des mots et - Mar 09 2023

web claudie gagnière 1928 2003 l auteur est un écrivain spécialisé dans l étude souriante des mots pour tout l or des mots 1997 regroupe deux de ses ouvrages au bonheur

pour tout l or des mots au bonheur des mots des mots et - May 31 2022

web pour tout l or des mots au bonheur des mots des m when people should go to the book stores search creation by shop shelf by shelf it is really problematic this is why

bonheur synonymes du mot dictionnaire orthodidacte - Jan 27 2022

web pour tout l or des mots au bonheur des mots des m if you ally dependence such a referred pour tout l or des mots au bonheur des mots des m books that will offer

pour tout l or des mots au bonheur des mots des mots et des - Aug 02 2022

web recognizing the exaggeration ways to acquire this book pour tout l or des mots au bonheur des mots des m is additionally useful you have remained in right site to begin

pour tout l or des mots au bonheur des mots et - Nov 05 2022

web pour tout l or des mots au bonheur des mots des mots et des merveilles au bonheur des mots des mots et merveilles gagnière claud isbn 9782221082553

pour tout l or des mots au bonheur des mots des mots - Apr 10 2023

web pour tout l or des mots au bonheur des mots des mots et merveilles relié 1 janvier 1997 de claud gagnière auteur 4 6 4 6 sur 5 étoiles 77 évaluations

pour tout l or des mots au bonheur des mots des m copy - Apr 29 2022

web un bonheur c est aussi quelque chose qui rend heureux un petit bonheur les bonheurs de l automne selon le contexte le mot bonheur a pour équivalents moment joyeux

pour tout l or des mots au bonheur des mots amazon ca - Oct 04 2022

web pour tout l or des mots conçu comme un dictionnaire ce volume recense près de 150 entrées qui insolites ou amusantes excitent

pour tout l or des mots au bonheur des mots de - Feb 08 2023

web conçu comme un dictionnaire ce volume recense près de 150 entrées qui insolites ou amusantes excitent l esprit et provoquent des éclats de rire de chaque page déferle

pour tout l or des mots au bonheur des mots des mots et des - May 11 2023

web oct 2 1997 conçu comme un dictionnaire ce volume recense près de 150 entrées qui insolites ou amusantes excitent l esprit et provoquent des éclats de rire de chaque