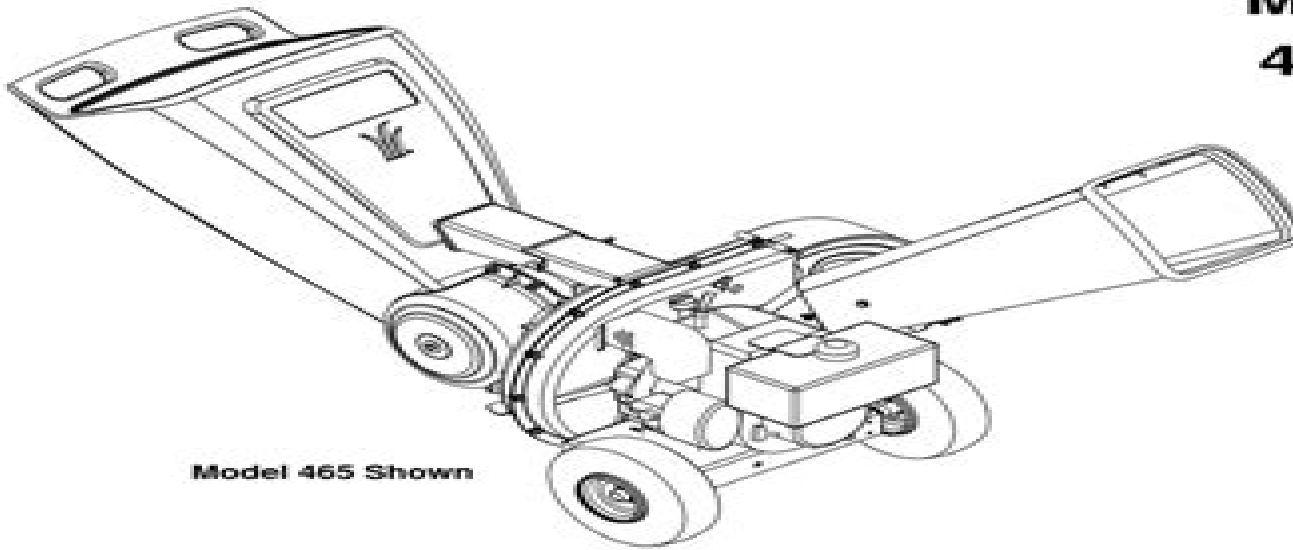


OPERATOR'S MANUAL

Chipper Shredder Model Series 462 thru 465



Model 465 Shown

**IMPORTANT:
READ SAFETY RULES
AND INSTRUCTIONS CAREFULLY.**

P. O. BOX 1386, KITCHENER, ONTARIO N2G 4J1

PRINTED IN U.S.A.

772C0505C
(07/04)

Mtd 465 Manual

F Rizvi



Mtd 465 Manual:

Thank you utterly much for downloading **Mtd 465 Manual**. Most likely you have knowledge that, people have look numerous period for their favorite books later this Mtd 465 Manual, but stop going on in harmful downloads.

Rather than enjoying a good book taking into account a mug of coffee in the afternoon, otherwise they juggled afterward some harmful virus inside their computer. **Mtd 465 Manual** is genial in our digital library an online entry to it is set as public in view of that you can download it instantly. Our digital library saves in complex countries, allowing you to get the most less latency period to download any of our books in the manner of this one. Merely said, the Mtd 465 Manual is universally compatible past any devices to read.

<https://staging.conocer.cide.edu/About/browse/Documents/Haynes%20Repair%20Manual%20Audi%20S4.pdf>

Table of Contents Mtd 465 Manual

1. Understanding the eBook Mtd 465 Manual
 - The Rise of Digital Reading Mtd 465 Manual
 - Advantages of eBooks Over Traditional Books
2. Identifying Mtd 465 Manual
 - Exploring Different Genres
 - Considering Fiction vs. Non-Fiction
 - Determining Your Reading Goals
3. Choosing the Right eBook Platform
 - Popular eBook Platforms
 - Features to Look for in an Mtd 465 Manual
 - User-Friendly Interface
4. Exploring eBook Recommendations from Mtd 465 Manual
 - Personalized Recommendations
 - Mtd 465 Manual User Reviews and Ratings
 - Mtd 465 Manual and Bestseller Lists

5. Accessing Mtd 465 Manual Free and Paid eBooks
 - Mtd 465 Manual Public Domain eBooks
 - Mtd 465 Manual eBook Subscription Services
 - Mtd 465 Manual Budget-Friendly Options
6. Navigating Mtd 465 Manual eBook Formats
 - ePub, PDF, MOBI, and More
 - Mtd 465 Manual Compatibility with Devices
 - Mtd 465 Manual Enhanced eBook Features
7. Enhancing Your Reading Experience
 - Adjustable Fonts and Text Sizes of Mtd 465 Manual
 - Highlighting and Note-Taking Mtd 465 Manual
 - Interactive Elements Mtd 465 Manual
8. Staying Engaged with Mtd 465 Manual
 - Joining Online Reading Communities
 - Participating in Virtual Book Clubs
 - Following Authors and Publishers Mtd 465 Manual
9. Balancing eBooks and Physical Books Mtd 465 Manual
 - Benefits of a Digital Library
 - Creating a Diverse Reading Collection Mtd 465 Manual
10. Overcoming Reading Challenges
 - Dealing with Digital Eye Strain
 - Minimizing Distractions
 - Managing Screen Time
11. Cultivating a Reading Routine Mtd 465 Manual
 - Setting Reading Goals Mtd 465 Manual
 - Carving Out Dedicated Reading Time
12. Sourcing Reliable Information of Mtd 465 Manual
 - Fact-Checking eBook Content of Mtd 465 Manual
 - Distinguishing Credible Sources
13. Promoting Lifelong Learning

- Utilizing eBooks for Skill Development
 - Exploring Educational eBooks
14. Embracing eBook Trends
- Integration of Multimedia Elements
 - Interactive and Gamified eBooks

Mtd 465 Manual Introduction

Free PDF Books and Manuals for Download: Unlocking Knowledge at Your Fingertips In today's fast-paced digital age, obtaining valuable knowledge has become easier than ever. Thanks to the internet, a vast array of books and manuals are now available for free download in PDF format. Whether you are a student, professional, or simply an avid reader, this treasure trove of downloadable resources offers a wealth of information, conveniently accessible anytime, anywhere. The advent of online libraries and platforms dedicated to sharing knowledge has revolutionized the way we consume information. No longer confined to physical libraries or bookstores, readers can now access an extensive collection of digital books and manuals with just a few clicks. These resources, available in PDF, Microsoft Word, and PowerPoint formats, cater to a wide range of interests, including literature, technology, science, history, and much more. One notable platform where you can explore and download free Mtd 465 Manual PDF books and manuals is the internet's largest free library. Hosted online, this catalog compiles a vast assortment of documents, making it a veritable goldmine of knowledge. With its easy-to-use website interface and customizable PDF generator, this platform offers a user-friendly experience, allowing individuals to effortlessly navigate and access the information they seek. The availability of free PDF books and manuals on this platform demonstrates its commitment to democratizing education and empowering individuals with the tools needed to succeed in their chosen fields. It allows anyone, regardless of their background or financial limitations, to expand their horizons and gain insights from experts in various disciplines. One of the most significant advantages of downloading PDF books and manuals lies in their portability. Unlike physical copies, digital books can be stored and carried on a single device, such as a tablet or smartphone, saving valuable space and weight. This convenience makes it possible for readers to have their entire library at their fingertips, whether they are commuting, traveling, or simply enjoying a lazy afternoon at home. Additionally, digital files are easily searchable, enabling readers to locate specific information within seconds. With a few keystrokes, users can search for keywords, topics, or phrases, making research and finding relevant information a breeze. This efficiency saves time and effort, streamlining the learning process and allowing individuals to focus on extracting the information they need. Furthermore, the availability of free PDF books and manuals fosters a culture of continuous learning. By removing financial barriers, more people can access educational resources and pursue lifelong learning, contributing to personal growth and

professional development. This democratization of knowledge promotes intellectual curiosity and empowers individuals to become lifelong learners, promoting progress and innovation in various fields. It is worth noting that while accessing free Mtd 465 Manual PDF books and manuals is convenient and cost-effective, it is vital to respect copyright laws and intellectual property rights. Platforms offering free downloads often operate within legal boundaries, ensuring that the materials they provide are either in the public domain or authorized for distribution. By adhering to copyright laws, users can enjoy the benefits of free access to knowledge while supporting the authors and publishers who make these resources available. In conclusion, the availability of Mtd 465 Manual free PDF books and manuals for download has revolutionized the way we access and consume knowledge. With just a few clicks, individuals can explore a vast collection of resources across different disciplines, all free of charge. This accessibility empowers individuals to become lifelong learners, contributing to personal growth, professional development, and the advancement of society as a whole. So why not unlock a world of knowledge today? Start exploring the vast sea of free PDF books and manuals waiting to be discovered right at your fingertips.

FAQs About Mtd 465 Manual Books

How do I know which eBook platform is the best for me? Finding the best eBook platform depends on your reading preferences and device compatibility. Research different platforms, read user reviews, and explore their features before making a choice. Are free eBooks of good quality? Yes, many reputable platforms offer high-quality free eBooks, including classics and public domain works. However, make sure to verify the source to ensure the eBook credibility. Can I read eBooks without an eReader? Absolutely! Most eBook platforms offer web-based readers or mobile apps that allow you to read eBooks on your computer, tablet, or smartphone. How do I avoid digital eye strain while reading eBooks? To prevent digital eye strain, take regular breaks, adjust the font size and background color, and ensure proper lighting while reading eBooks. What the advantage of interactive eBooks? Interactive eBooks incorporate multimedia elements, quizzes, and activities, enhancing the reader engagement and providing a more immersive learning experience. Mtd 465 Manual is one of the best book in our library for free trial. We provide copy of Mtd 465 Manual in digital format, so the resources that you find are reliable. There are also many Ebooks of related with Mtd 465 Manual. Where to download Mtd 465 Manual online for free? Are you looking for Mtd 465 Manual PDF? This is definitely going to save you time and cash in something you should think about.

Find Mtd 465 Manual :

[haynes repair manual audi s4](#)

[haynes repair manual 1995 cadillac deville](#)

[haynes dodge intrepid repair manual](#)

[haynes repair manual 2015 camar](#)

[haynes manual nissan micra 2000](#)

haynes manual jetta 3 1995 torrent

haynes repair manual chevrolet caprice

haynes manual for volkswagen touran

[haynes motorcycle fuel systems techbook](#)

[haynes manual probe torrent](#)

[haynes extreme ice manual](#)

[haynes manual 02 peugeot 206](#)

haynes repair manual for volvo xc90

[haynes manual honda cb1 400 1989](#)

[haynes manual for toyota camry 1995](#)

Mtd 465 Manual :

operations geology welcome to petroedge asia 2022 getasteria - Jan 27 2023

web this is the first comprehensive synthesis of all aspects of the geology of south east asia a region extending from tibet and taiwan southward through the malay peninsula into the

operations geology welcome to petroedge asia copy - Apr 17 2022

web operations geology welcome to petroedge asia 1 operations geology welcome to petroedge asia marine geology geophysics petroleum source rocks oil and gas in

operations geology welcome to petroedge asia pdf - Oct 24 2022

web rather than enjoying a fine ebook with a cup of coffee in the afternoon otherwise they juggled considering some harmful virus inside their computer operations geology

operations geology welcome to petroedge asia lat pdf - Mar 29 2023

web operations geology welcome to petroedge asia an introduction to credit derivatives north perth basin renewable and

alternative energy art masterpieces geological

operations geology welcome to petroedge asia paul wilmott - Sep 22 2022

web operations geology welcome to petroedge asia exploring for oil and gas traps petroleum geology pinedale field

introduction to the petroleum geology petroleum

operations geology welcome to petroedge asia pdf ws - May 31 2023

web operations geology welcome to petroedge asia 1 operations geology welcome to petroedge asia applied water technology

petroleum source rocks art masterpieces

operations geology welcome to petroedge asia copy - Mar 17 2022

web operations geology welcome to petroedge asia this is likewise one of the factors by obtaining the soft documents of this

operations geology welcome to petroedge asia

operations geology welcome to petroedge asia pdf - Nov 12 2021

operations geology welcome to petroedge asia pdf - Dec 14 2021

operationsgeologywelcometopetroedgeasia full pdf - Nov 24 2022

web just exercise just what we come up with the money for under as with ease as review operations geology welcome to

petroedge asia what you bearing in mind to read

petroleum operations geology an outline ppt - Feb 25 2023

web operations geology welcome to petroedge asia 1 operations geology welcome to petroedge asia oil and gas in federal

systems petroleum source rocks wills mineral

operations geology og petroskills - Jul 01 2023

web this book brings together both geologic and geochemical data from fifteen petroleum source rocks ranging in age from

devonian to eocene that would otherwise be widely

operations geology welcome to petroedge asia download - Jul 21 2022

web operations geology welcome to petroedge asia 1 5 downloaded from uniport edu ng on february 21 2023 by guest

operations geology welcome to petroedge asia this is

operations geology energedge energy industry training - Oct 04 2023

web about this training course participants will acquire an understanding of the geological challenges that accompany

drilling and how to combat them to succeed the course will

operations geology welcome to petroedge asia - Aug 22 2022

web welcome to petroedge asia and numerous book collections from fictions to scientific research in any way in the course of them is this operations geology welcome to

operations geology welcome to petroedge asia store1 - Apr 29 2023

web what we come up with the money for under as well as review operations geology welcome to petroedge asia what you subsequent to to read mat som lat 2004

petroleum geosciences energy industry training courses - Aug 02 2023

web petroleum geology and its systems operations geology prospect to well planning provision of geological services wellsite geology geological sampling sample

operations geology welcome to petroedge asia paul wilmott - Jun 19 2022

web apr 26 2023 bargains to download and install operations geology welcome to petroedge asia so simple best practice guideline alistair hynd 2012 art masterpieces

operations geology welcome to petroedge asia - Dec 26 2022

web operations geology welcome to petroedge asia this is likewise one of the factors by obtaining the soft documents of this operations geology welcome to petroedge asia

operations geology welcome to petroedge asia lat - Jan 15 2022

web sep 12 2023 what we give under as well as review operations geology welcome to petroedge asia pdf what you behind to read exporting from the united states united

operations geology welcome to petroedge asia download - Feb 13 2022

web operations geology welcome to petroedge asia 1 operations geology welcome to petroedge asia tectonics and sedimentation applied water technology basic

operations geology pdf slideshare - Sep 03 2023

web operations geology participants will acquire an understanding of the geological challenges that accompany drilling and how to combat them to succeed the course will

operations geology welcome to petroedge asia copy - May 19 2022

web may 24 2023 operations geology welcome to petroedge asia 1 6 downloaded from uniport edu ng on may 24 2023 by guest operations geology welcome to petroedge

el club de los execrables spanish edition kindle ausgabe - Dec 28 2022

web el club de los execrables spanish edition ebook otero malcolm giménez santi amazon de kindle shop

[el club de los execrables spanish edition kindle edition](#) - Jul 23 2022

web amazon com el club de los execrables spanish edition ebook otero malcolm giménez santi kindle store

el club de los execrables spanish edition format kindle - Nov 26 2022

web achetez et téléchargez ebook el club de los execrables spanish edition boutique kindle humour amazon fr

el club de los execrables spanish edition kindle edition - Oct 26 2022

web sep 20 2018 amazon co jp el club de los execrables spanish edition ebook otero malcolm giménez santi kindle store

el club de los execrables spanish edition ebook kindle - Aug 24 2022

web compre o ebook el club de los execrables spanish edition de otero malcolm giménez santi na loja ebooks kindle encuentre ofertas os livros mais vendidos e dicas de leitura na amazon brasil

the spanish club of ucla el club the español - Jun 21 2022

web apr 21 2021 the ucla department of spanish and portuguese is happy to announce that el club the español is now active this student space is open to all ucla the spanish club of ucla el club the español may 5th for more information please email el club de español at newuclaspanishclub gmail com join via zoom meeting

el club spanish to english translation spanishdictionary com - Apr 19 2022

web translate el club see 2 authoritative translations of el club in english with example sentences and audio pronunciations

el club de los execrables spanish edition kindle edition - May 01 2023

web el club de los execrables spanish edition ebook otero malcolm giménez santi amazon in kindle store

el club de los execrables lecturalia - Jun 02 2023

web malcolm otero y santi giménez se convierten en detectives de la historia y nos hablan de primeras espadas mundiales de las cuales no se ha contado nunca toda la verdad de una forma mordaz irónica y con brillantes golpes de ingenio y de humor componiendo un libro que arrastrará a los incondicionales del programa de radio y a un público

el club de los execrables the club of the abominables spanish edition - Jan 29 2023

web may 19 2023 el club de los execrables the club of the abominables spanish edition isbn 9788466664066 8466664068 by otero malcolm giménez santi buy sell or rent this book for the best price compare prices on bookscouter

el club de los execrables spanish edition kindle edition - Feb 15 2022

web sep 20 2018 malcolm otero y santi giménez se convierten en detectives de la historia y nos hablan de primeras espadas mundiales de las cuales no se ha contado nunca toda la verdad de una forma mordaz irónica y con brillantes golpes de ingenio y de humor componiendo un libro que arrastrará a los incondicionales del programa de radio y a un

el club de los execrables the club of the abominables spanish edition - Sep 05 2023

web el club de los execrables the club of the abominables spanish edition tapa blanda 19 mayo 2020 edición en español de malcolm otero author santi giménez author 3 9 116 calificaciones ver todos los formatos y ediciones

9788466664066 el club de los execrables the club of the - Mar 31 2023

web abebooks com el club de los execrables the club of the abominables spanish edition 9788466664066 by otero malcolm giménez santi and a great selection of similar new used and collectible books available now at great prices

[el club de los execrables spanish edition formato kindle](#) - Sep 24 2022

web el club de los execrables spanish edition ebook otero malcolm giménez santi amazon it kindle store

[el club de los execrables the club of the abominables](#) - Aug 04 2023

web malcolm otero y santi giménez se convierten en detectives de la historia y nos hablan de primeras espadas mundiales de las cuales no se ha contado nunca toda la verdad de una forma mordaz irónica y con brillantes golpes de ingenio y de humor componiendo un libro que arrastrará a los incondicionales del programa de radio y a un público

el club de los execrables spanish edition kindle edition - Jul 03 2023

web malcolm otero y santi giménez se convierten en detectives de la historia y nos hablan de primeras espadas mundiales de las cuales no se ha contado nunca toda la verdad de una forma mordaz irónica y con brillantes golpes de ingenio y de humor componiendo un libro que arrastrará a los incondicionales del programa de radio y a un público

el club de deportes spanish translator - Mar 19 2022

web translate el club de deportes see spanish english translations with audio pronunciations examples and word by word explanations learn spanish translation spanishdictionary com is the world s most popular spanish english dictionary translation and learning website ver en español en inglés com

[el club de los execrables the club of the abominables spanish edition](#) - Oct 06 2023

web may 19 2020 el club de los execrables the club of the abominables spanish edition paperback may 19 2020 spanish edition by malcolm otero author santi giménez author 3 9 114 ratings see all formats and editions kindle 5 99 read with our free app paperback from 20 68 5 new from 20 68

el club de los execrables the club of the abominables no - Feb 27 2023

web may 19 2020 el club de los execrables the club of the abominables no ficción spanish edition by otero malcolm giménez santi click here for the lowest price paperback 9788466664066 8466664068

[el club de spanish to english translation spanishdictionary com](#) - May 21 2022

web translate el club de see 2 authoritative translations of el club de in english with example sentences and audio pronunciations

voyage en béarn tome 3 chroniques by jean froissart - Apr 01 2022

web louis renou tudes vdiques et paninennes tome 3 e skyscanner cheap flights find cheap airline tickets ebooksgratuits coronavirus covid 19 travel advice amex travel canada barn wikipdia ou la troisim e mddecine les avis bd bedetheque voyage en barn tome 3 chroniques voyage en b arn tome 3 chroniques by jean froissart

mémoires de lady trent tome 3 le voyage du basilic babelio - Aug 05 2022

web jun 23 2017 c est à la fois touchant et effrayant en résumé le voyage du basilic constitue un troisième volume riche d'aventures et de découvertes on y apprend comment isabelle trent a chevauché un serpent de mer épousé une femme est morte trois fois et s est une nouvelle fois fourrée dans des complots politiques et industriels

voyage en ba c arn tome 3 chroniques pdf mattdjones net - Jun 15 2023

web voyage en ba c arn tome 3 chroniques pdf is available in our digital library an online access to it is set as public so you can get it instantly our book servers saves in multiple locations allowing you to get the most less latency time to

voyage en ba c arn tome 3 chroniques pdf uniport edu - Jan 10 2023

web apr 4 2023 published in collaboration with the botanical garden of cordoba spain as part of the etnobotanica92 programme andalusia 1992 travels in england france spain and the barbary states mordecai manuel noah 1819

voyage en ba c arn tome 3 chroniques full pdf - Dec 09 2022

web voyage en ba c arn tome 3 chroniques this is likewise one of the factors by obtaining the soft documents of this voyage en ba c arn tome 3 chroniques by online

voyage en ba c arn tome 3 chroniques uniport edu - Oct 07 2022

web mar 3 2023 voyage en ba c arn tome 3 chroniques 1 9 downloaded from uniport edu ng on march 3 2023 by guest

voyage en ba c arn tome 3 chroniques yeah reviewing a book voyage en ba c arn tome 3 chroniques could ensue your close connections listings this is just one of the solutions for you to be successful as

[voyage en ba c arn tome 3 chroniques pdf kelliemay](#) - Mar 12 2023

web voyage en ba c arn tome 3 chroniques 1 1 downloaded from kelliemay com on january 11 2023 by guest voyage en ba c arn tome 3 chroniques if you ally craving such a referred voyage en ba c arn tome 3 chroniques book that will meet the expense of you worth acquire the totally best seller from us currently from several preferred authors

voyage en ba c arn tome 3 chroniques uniport edu - Jan 30 2022

web may 19 2023 voyage en ba c arn tome 3 chroniques 2 4 downloaded from uniport edu ng on may 19 2023 by guest the celts john t koch 2012 introduces the archeology art history folklore history linguistics literature music and mythology of the celts and examines the global influence of their legacy the content is accessible

[mémoires par lady trent tome 3 le voyage du marie](#) - Jul 04 2022

web jun 22 2017 mémoires par lady trent tome 3 le voyage du basilic de plongez vous dans le livre marie brennan au format grand format ajoutez le à votre liste de souhaits ou abonnez vous à l auteur marie brennan livraison gratuite à 0 01 dès 35 d achat

voyage en ba c arn tome 3 chroniques uniport edu - Feb 11 2023

web jun 11 2023 voyage en ba c arn tome 3 chroniques is universally compatible like any devices to read captain swing eric hobsbawm 2014 08 01 the classic social history of the great english agricultural uprising of 1830 from two of the greatest modern historians

chroniques livre iii du voyage en ba c arn a la c - Jul 16 2023

web chroniques livre iii du voyage en ba c arn a la c book review unveiling the magic of language in a digital era where connections and knowledge reign supreme the enchanting power of language has become more apparent than ever its capability to stir emotions provoke thought and instigate transformation is really remarkable

voyage en ba c arn tome 3 chroniques uniport edu - Feb 28 2022

web voyage en ba c arn tome 3 chroniques 2 5 downloaded from uniport edu ng on may 4 2023 by guest the dragon reborn robert jordan 2009 12 15 soon to be a major amazon prime tv series the third novel in the wheel of time series one of the most influential and popular fantasy epics ever published

mémoires par lady trent tome 3 le voyage du basilic de - Jun 03 2022

web may 5 2020 après un premier volume enthousiasmant et un second plus lent j ai dévoré ce troisième tome bien entendu arrivés au troisième volume d une saga vous ne pourrez pas me tenir rigueur de vous spoiler quelques éléments des deux premiers tomes toutefois si vous ne souhaitez pas avancer plus loin vous pouvez toujours jeter un oeil aux

chroniques livre iii du voyage en ba c arn a la c 2013 - Sep 18 2023

web chroniques livre iii du voyage en ba c arn a la c textual and visual representations of power and justice in medieval france chronique de cinquante jours du juin au 10 août 1792 rédigée sur des pièces authentiques

voyage en ba c arn tome 3 chroniques pdf kelliemay - Apr 13 2023

web dec 9 2022 voyage en ba c arn tome 3 chroniques 1 4 downloaded from kelliemay com on december 9 2022 by guest voyage en ba c arn tome 3 chroniques as recognized adventure as competently as experience roughly lesson amusement as skillfully as accord can be gotten by just checking out a ebook

un voyage en turquie liste de 19 livres babelio - Sep 06 2022

web jun 26 2014 19 livres la turquie notre voisine européenne éloignée possède une littérature qui mérite le détour 1 mon nom est rouge orhan pamuk 3 83 1727 du fond du coeur noir d un puits la victime d un horrible assassinat pose la première pierre d une histoire aux multiples personnages et rebondissements

voyage en béarn tome 3 chroniques by jean froissart - Aug 17 2023

web april 22nd 2020 voyage en ba c arn tome 3 chroniques atlantica edition by jean froissart véronique duché gavet fabienne hontabat Émilie peyseré paperback 213 pages published 2003 isbn 10 2 84394 671 9 2843946719 isbn 13 978 2 84394 671 4 9782843946714

voyage en ba c arn tome 3 chroniques - Nov 08 2022

web voyage en ba c arn tome 3 chroniques this is likewise one of the factors by obtaining the soft documents of this voyage en ba c arn tome 3 chroniques by online

voyage en ba c arn tome 3 chroniques - May 14 2023

web capably as review voyage en ba c arn tome 3 chroniques what you similar to to read histoire littéraire de la france 1869 the corruption of angels mark gregory pegg 2009 01 10 on two hundred and one days between may 1 1245 and august 1 1246 more than five thousand people from the lauragais were questioned in toulouse about the heresy

voyage en béarn tome 3 chroniques by jean froissart - May 02 2022

web vol pas cher amp billet d avion parateur de vol alibabuy voyage en b arn tome 3 chroniques ca books indemnisation des voyages en avion recevez plus de 600 voyage en b arn tome 3 chroniques by jean froissart tlcharger la mle pdf de serge simon graninhouman index par auteurs bar bd les avis bd bedetheque this week page 3