

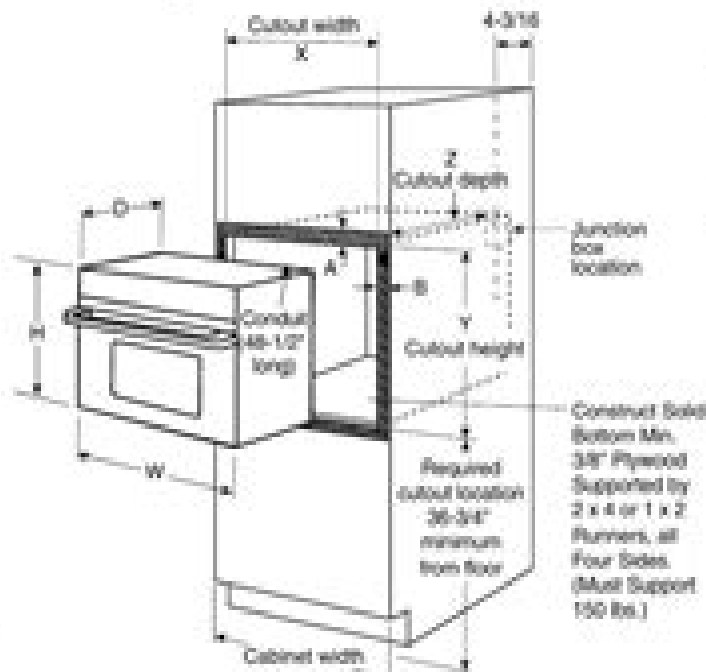
# GE Profile Advantium® 120 Wall Oven

Advantium wall oven/GE Profile cooking tower dimensions and cabinet installation information (in inches)

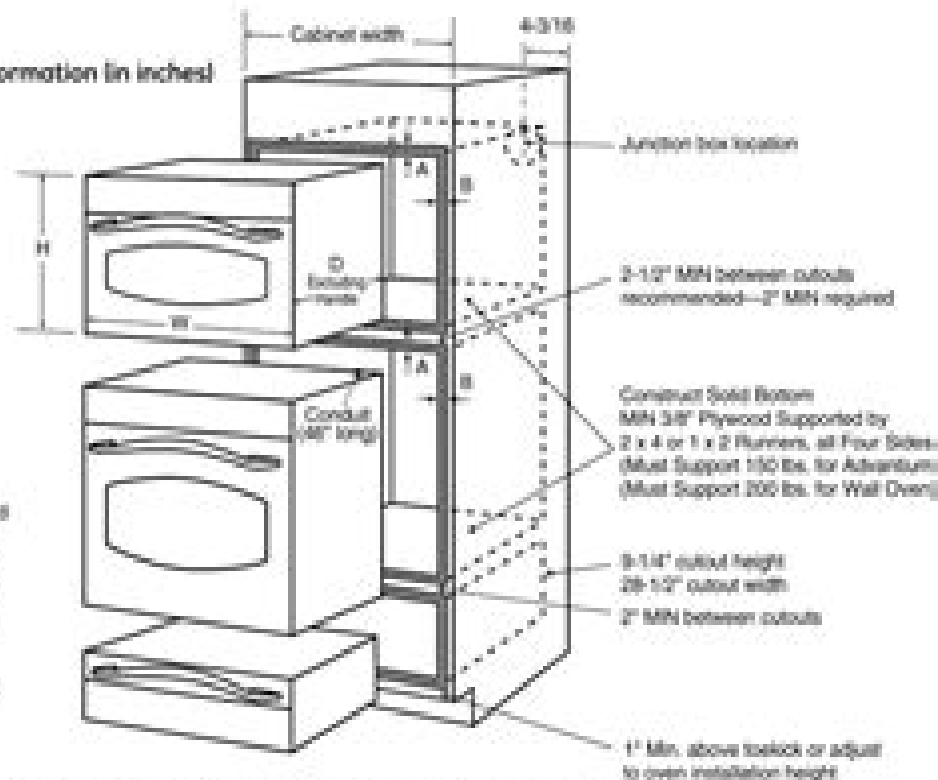
**Note:** Cabinets installed adjacent to wall ovens must have an adhesion spec of at least a 234°F temperature rating.

**Note:** 2" minimum between cutouts when installed above warming drawer or single wall oven.

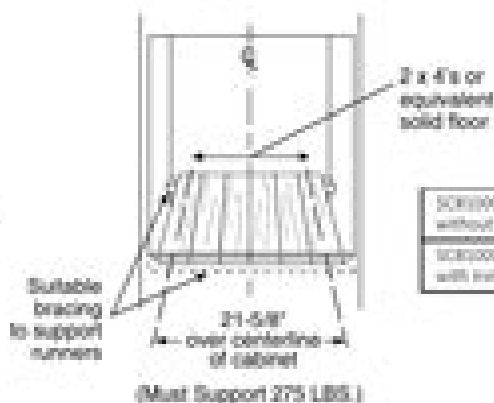
**Installation information:** Before installing, consult installation instructions packed with product for current dimensional data.



A=Allow 1" overlap of oven over top and bottom edges of cutout.  
B=Allow 11/16"-3/4" for overlap of oven over side edges of cutout.



A=Allow 1" overlap of oven over top and bottom edges of cutout.  
B=Allow 11/16"-3/4" for overlap of oven over side edges of cutout.



	Cabinet Width	W Width	H Height	D Depth (including handle)	X Cutout Width	Y Cutout Height	Z Cutout Depth (minimum)
SCB1001's 27" installation without trim kit	27	26-3/4	19-1/32	21-1/2	25-1/8	17-1/2	23-1/2
SCB1001's 30" installation with trim kit	30	29-3/4	19-1/32	21-1/2	25-1/8	17-1/2	23-1/2

For answers to your Monogram,® GE Profile™ or GE® appliance questions, visit our website at [www.ge.com](http://www.ge.com) or call GE Answer Center® service, 800.626.2000.

# Ge Wok User Manual

**Terry C. Jones**



## **Ge Wok User Manual:**

Embark on a breathtaking journey through nature and adventure with is mesmerizing ebook, Witness the Wonders in **Ge Wok User Manual** . This immersive experience, available for download in a PDF format ( PDF Size: \*), transports you to the heart of natural marvels and thrilling escapades. Download now and let the adventure begin!

<https://staging.conocer.cide.edu/About/browse/default.aspx/Moto%20Q%20Global%20User%20Guide.pdf>

## **Table of Contents Ge Wok User Manual**

1. Understanding the eBook Ge Wok User Manual
  - The Rise of Digital Reading Ge Wok User Manual
  - Advantages of eBooks Over Traditional Books
2. Identifying Ge Wok User Manual
  - Exploring Different Genres
  - Considering Fiction vs. Non-Fiction
  - Determining Your Reading Goals
3. Choosing the Right eBook Platform
  - Popular eBook Platforms
  - Features to Look for in an Ge Wok User Manual
  - User-Friendly Interface
4. Exploring eBook Recommendations from Ge Wok User Manual
  - Personalized Recommendations
  - Ge Wok User Manual User Reviews and Ratings
  - Ge Wok User Manual and Bestseller Lists
5. Accessing Ge Wok User Manual Free and Paid eBooks
  - Ge Wok User Manual Public Domain eBooks
  - Ge Wok User Manual eBook Subscription Services
  - Ge Wok User Manual Budget-Friendly Options
6. Navigating Ge Wok User Manual eBook Formats

- ePub, PDF, MOBI, and More
- Ge Wok User Manual Compatibility with Devices
- Ge Wok User Manual Enhanced eBook Features
- 7. Enhancing Your Reading Experience
  - Adjustable Fonts and Text Sizes of Ge Wok User Manual
  - Highlighting and Note-Taking Ge Wok User Manual
  - Interactive Elements Ge Wok User Manual
- 8. Staying Engaged with Ge Wok User Manual
  - Joining Online Reading Communities
  - Participating in Virtual Book Clubs
  - Following Authors and Publishers Ge Wok User Manual
- 9. Balancing eBooks and Physical Books Ge Wok User Manual
  - Benefits of a Digital Library
  - Creating a Diverse Reading Collection Ge Wok User Manual
- 10. Overcoming Reading Challenges
  - Dealing with Digital Eye Strain
  - Minimizing Distractions
  - Managing Screen Time
- 11. Cultivating a Reading Routine Ge Wok User Manual
  - Setting Reading Goals Ge Wok User Manual
  - Carving Out Dedicated Reading Time
- 12. Sourcing Reliable Information of Ge Wok User Manual
  - Fact-Checking eBook Content of Ge Wok User Manual
  - Distinguishing Credible Sources
- 13. Promoting Lifelong Learning
  - Utilizing eBooks for Skill Development
  - Exploring Educational eBooks
- 14. Embracing eBook Trends
  - Integration of Multimedia Elements
  - Interactive and Gamified eBooks

## **Ge Wok User Manual Introduction**

Ge Wok User Manual Offers over 60,000 free eBooks, including many classics that are in the public domain. Open Library: Provides access to over 1 million free eBooks, including classic literature and contemporary works. Ge Wok User Manual Offers a vast collection of books, some of which are available for free as PDF downloads, particularly older books in the public domain. Ge Wok User Manual : This website hosts a vast collection of scientific articles, books, and textbooks. While it operates in a legal gray area due to copyright issues, its a popular resource for finding various publications. Internet Archive for Ge Wok User Manual : Has an extensive collection of digital content, including books, articles, videos, and more. It has a massive library of free downloadable books. Free-eBooks Ge Wok User Manual Offers a diverse range of free eBooks across various genres. Ge Wok User Manual Focuses mainly on educational books, textbooks, and business books. It offers free PDF downloads for educational purposes. Ge Wok User Manual Provides a large selection of free eBooks in different genres, which are available for download in various formats, including PDF. Finding specific Ge Wok User Manual, especially related to Ge Wok User Manual, might be challenging as theyre often artistic creations rather than practical blueprints. However, you can explore the following steps to search for or create your own Online Searches: Look for websites, forums, or blogs dedicated to Ge Wok User Manual, Sometimes enthusiasts share their designs or concepts in PDF format. Books and Magazines Some Ge Wok User Manual books or magazines might include. Look for these in online stores or libraries. Remember that while Ge Wok User Manual, sharing copyrighted material without permission is not legal. Always ensure youre either creating your own or obtaining them from legitimate sources that allow sharing and downloading. Library Check if your local library offers eBook lending services. Many libraries have digital catalogs where you can borrow Ge Wok User Manual eBooks for free, including popular titles. Online Retailers: Websites like Amazon, Google Books, or Apple Books often sell eBooks. Sometimes, authors or publishers offer promotions or free periods for certain books. Authors Website Occasionally, authors provide excerpts or short stories for free on their websites. While this might not be the Ge Wok User Manual full book , it can give you a taste of the authors writing style. Subscription Services Platforms like Kindle Unlimited or Scribd offer subscription-based access to a wide range of Ge Wok User Manual eBooks, including some popular titles.

## **FAQs About Ge Wok User Manual Books**

1. Where can I buy Ge Wok User Manual books? Bookstores: Physical bookstores like Barnes & Noble, Waterstones, and independent local stores. Online Retailers: Amazon, Book Depository, and various online bookstores offer a wide range of books in physical and digital formats.

2. What are the different book formats available? Hardcover: Sturdy and durable, usually more expensive. Paperback: Cheaper, lighter, and more portable than hardcovers. E-books: Digital books available for e-readers like Kindle or software like Apple Books, Kindle, and Google Play Books.
3. How do I choose a Ge Wok User Manual book to read? Genres: Consider the genre you enjoy (fiction, non-fiction, mystery, sci-fi, etc.). Recommendations: Ask friends, join book clubs, or explore online reviews and recommendations. Author: If you like a particular author, you might enjoy more of their work.
4. How do I take care of Ge Wok User Manual books? Storage: Keep them away from direct sunlight and in a dry environment. Handling: Avoid folding pages, use bookmarks, and handle them with clean hands. Cleaning: Gently dust the covers and pages occasionally.
5. Can I borrow books without buying them? Public Libraries: Local libraries offer a wide range of books for borrowing. Book Swaps: Community book exchanges or online platforms where people exchange books.
6. How can I track my reading progress or manage my book collection? Book Tracking Apps: Goodreads, LibraryThing, and Book Catalogue are popular apps for tracking your reading progress and managing book collections. Spreadsheets: You can create your own spreadsheet to track books read, ratings, and other details.
7. What are Ge Wok User Manual audiobooks, and where can I find them? Audiobooks: Audio recordings of books, perfect for listening while commuting or multitasking. Platforms: Audible, LibriVox, and Google Play Books offer a wide selection of audiobooks.
8. How do I support authors or the book industry? Buy Books: Purchase books from authors or independent bookstores. Reviews: Leave reviews on platforms like Goodreads or Amazon. Promotion: Share your favorite books on social media or recommend them to friends.
9. Are there book clubs or reading communities I can join? Local Clubs: Check for local book clubs in libraries or community centers. Online Communities: Platforms like Goodreads have virtual book clubs and discussion groups.
10. Can I read Ge Wok User Manual books for free? Public Domain Books: Many classic books are available for free as they're in the public domain. Free E-books: Some websites offer free e-books legally, like Project Gutenberg or Open Library.

### **Find Ge Wok User Manual :**

**moto q global user guide**

**motorcycle riding guide**

**motor cycle mechanic trade testing board**

**moto guzzi breva 750 full service repair manual**

**moto guzzi daytona 1000 service repair manual**

*motorola atrix hd lte*

**motorcraft dura spark wiring diagram**

~~motoman robot user manual~~

motor rhino 600

*motorcycle mot test equipment*

moto guzzi v7 700 750 special full service repair manual 1971 onwards

moteur johnson 2 hp repair manual

**motor trade theory n3 previous question paper**

motor cummins nt 855

*mosfet 50wx4 pioneer deh p4800mp manual*

## **Ge Wok User Manual :**

*cms manual system centers for medicare medicaid services - Jun 24 2022*

web general documentation guidelines date and legible signature of the provider required internet only manual publication

100 08 chapter 3 section 3 3 2 4 services billed

simplifying documentation requirements cms centers for - Aug 07 2023

web oct 31 2022 documentation guidelines for medicare services incomplete or illegible records can result in denial of payment for services billed to medicare in order for a

**documentation guidelines for medicare services je part b - Jul 06 2023**

web apr 1 2017 complying with medical record documentation requirements fact sheet learn about proper medical record documentation requirements how to provide accurate

**documentation guidelines novitas solutions - May 24 2022**

web note that there is no requirement to document the time spent if the physician is not using time to calculate the appropriate e m code 5 consider the patient as the audience the

set forth the basics of good medical record documentation - Sep 27 2022

web billing provider notes for billed date of service amended medical records late entries addendums or corrections to a medical record are legitimate occurrences in



*medicare you handbook medicare* - Nov 17 2021

web nov 2 2023 for immediate release thursday nov 2 2023 the american academy of family physicians aafp applauds the centers for medicare and medicaid

**complying with medical record documentation requirements** - Oct 09 2023

web documentation must meet medicare s signature requirements medicare claims reviewers look for signed and dated medical documentation meeting our signature requirements

**mln905364 complying with medicare signature requirements** - Sep 08 2023

web as part of our patients over paperwork initiative medicare is simplifying documentation requirements so that you spend less time on paperwork allowing you to focus more on

*2024 medicare physician fee schedule final rule delivers* - Oct 17 2021

web jan 1 2023 gsa has adjusted all pov mileage reimbursement rates effective january 1 2023 modes of transportation effective applicability date rate per mile airplane

complying with medical record documentation requirements - Jun 05 2023

web jun 3 2020 in order to be considered valid for medicare medical review purposes an attestation statement must be signed and dated by the author of the medical record entry

complying with medicare signature requirements hhs gov - Feb 01 2023

web 1 use of forced entry charts facilitates proper chart documentation and helps assure compliance with medicare s chart documentation requirements 2 nurses and

**documentation guidelines for amended records je part b** - Aug 27 2022

web oct 28 2022 skilled nursing facility snf documentation requirements it is expected that patient s medical records reflect the need for care services provided the listing of

**simplified outpatient documentation and coding ama** - Mar 02 2023

web a valid signature must be for services you provided or ordered handwritten or electronic we allow stamped signatures if you have a physical disability and can prove to a cms

*compliance with medicare s chart documentation requirements in* - Dec 31 2022

web one final note about documenting history the guidelines refrain from defining how a note should be organized our sample note with the history components lumped together

**medical record entry timeliness what is reasonable** - Mar 22 2022

web medical chart notes s o a p a chart note usually follows a very simple pattern s ubjective what the patient thinks s o bjective what the doctor thinks o a

**signature requirement q amp a je part b noridian** - Apr 03 2023

web in recent years there have been 2 major favorable changes in regulation to decrease documentation burden and redundancy january 1 2019 pdf allowing ancillary staf

**snf documentation requirements je part a noridian** - Jul 26 2022

web pub 100 08 medicare program integrity centers for medicare medicaid services cms transmittal 713 date may 5 2017 change request 10076 subject scribe

*physician signature requirements for medical record* - May 04 2023

web jan 7 2020 the requirement for medicare validation is that we must be able to connect the provider of service to the records or notes the electronic signature component must

**2021 e m updates what will happen to the physician note** - Apr 22 2022

web sep 1 2007 the timing of a medical record note is especially important in an inpatient chart emergency department settings trauma settings and critical care units it is

*privately owned vehicle pov mileage reimbursement rates* - Sep 15 2021

**behavioral health documentation requirements and privacy** - Dec 19 2021

web learn about the medicare you handbook which includes a summary of medicare benefits rights and protections a list of health and drug plans and answers to

**medicare requirements for chart notes pdf dev rcm org** - Jan 20 2022

web behavioral health medical record documentation requirements and privacy regulations for services other than aba page 4 september 2017 for blue cross ppo commercial

**guidelines for the use of scribes in medical record** - Oct 29 2022

web dec 1 2014 according to the centers for medicare medicaid services cms general principles of medical record documentation medical record documentation is required

*documenting history in compliance with medicare s guidelines* - Nov 29 2022

web centers for medicare medicaid services cms internet only manual iom publication 100 04 chapter 12 section 30 6 1 documentation supports both the medical necessity

**medical chart notes meditec** - Feb 18 2022

web medicare requirements for chart notes unveiling the power of verbal art an emotional sojourn through medicare requirements for chart notes in a global inundated with

ch14 the test bank for intermediate accounting chapter 14 - Oct 12 2022

web dec 31 2012 ch14 the test bank for intermediate accounting it s the test bank for intermediate accounting university ☐☐☐☐ course financial accounting acct 5100 16 documents students shared 16 documents in this course academic year 2022

2023 helpful 40 report document comments please sign in or register to

*test bank for intermediate accounting 16th edition kieso* - Apr 06 2022

web intermediate accounting 1 test bank for intermediate accounting sixteenth edition 1 10 financial accounting and accounting standards ans d lo 3 bloom k difficulty moderate min 2 aacsb none aicpa bb none aicpa fc reporting aicpa pc communication ima fsa ifrs none

**test bank for intermediate accounting 18th edition by donald** - Jan 03 2022

web jun 19 2022 test bank for intermediate accounting 18th edition 18e by donald e kieso jerry j weygandt terry d warfield isbn 13 8899 test bank for intermediate accounting 18th edition 18e by donald e kieso jerry j weygandt terry d warfield isbn 13 8899

you can get your money back within 14 days without reason you fill in

**intermediate accounting test bank google books** - May 19 2023

web aug 2 2011 intermediate accounting 14th edition is the market leader in providing the tools needed to understand what gaap is and how it is applied in practice through many editions this textbook

*test bank for intermediate accounting 14th edition by kieso* - May 07 2022

web feb 23 2015 test bank for intermediate accounting 14th edition by kieso research paper felecianowell home page book reports test bank for intermediate accounting 14th edition by kieso submitted by felecianowell date submitted 02 23 2015 6

03 am category book reports words 5016 page 21

test bank for intermediate accounting 14th edition by kieso - Jan 15 2023

web test bank for intermediate accounting 14th edition by kieso 25 00 complete downloadable test bank for intermediate accounting 14th edition by kieso instructor resource information title intermediate accounting resource test bank edition 14th edition author kieso weygandt warfield

*intermediate accounting 14th edition solutions and answers quizlet* - Jul 21 2023

web our resource for intermediate accounting includes answers to chapter exercises as well as detailed information to walk you through the process step by step with expert solutions for thousands of practice problems you can take the guesswork out of studying and move forward with confidence

**intermediate accounting 14 edition test bank by kieso issuu** - Feb 16 2023

web may 10 2015 description chapter 1 financial accounting and accounting standards chapter 2 conceptual framework underlying financial accounting chapter 3 the accounting information system chapter 4

intermediate accounting 14th edition test bank 0470587237 by - Jul 09 2022

web jul 24 2020 intermediate accounting 14th edition test bank 0470587237 by kieso weygandt and warfield chapter 2 conceptual framework underlying financial accounting ifrs questions are available

[intermediate accounting 14th edition textbook solutions chegg](#) - Apr 18 2023

web 14th edition we have solutions for your book this problem has been solved problem 1ca chapter ch1 problem 1ca step by step solution step 1 of 5 financial accounting standards board fasb fasb is the financial accounting standards board that is a standard setting body

**k12etbchapter 07 test bank chapter 7 cash and** - Dec 14 2022

web test bank for intermediate accounting twelfth edition 7 2 multiple choice conceptual cont answer no description b 37 bad debts as a percentage of sales a 38 bad debts as a percentage of receivables d 39 financial statement effect of a note recorded incorrectly c 40 factoring accounts receivable without recourse c s41

[ch 14 test bank ch 14 chapter 14 long term liabilities studocu](#) - Jun 20 2023

web test bank for intermediate accounting sixteenth edition 14 10 s50 long term debt that matures within one year and is to be converted into stock should be reported a as a current liability b in a special section between liabilities and stockholders equity c

[test bank for intermediate accounting ifrs edition volume 2](#) - Feb 04 2022

web apr 15 2022 williams exercised his option on september 1 2012 and sold his 16 18 test bank for intermediate accounting ifrs edition volume 2 100 shares on december 1 2012 quoted market prices of *intermediate accounting 14th edition kieso test bank* - Aug 10 2022

web feb 20 2019 intermediate accounting 14th edition kieso test bank by herrod issuu intermediate accounting 14th edition kieso test bank full download

**intermediate accounting 14th edition kieso solutions manual** - Mar 05 2022

web you are buying solutions manual for intermediate accounting 14th edition by kieso solutions manual comes in a pdf or word format and available for download only intermediate accounting 14th edition kieso kieso solutions manual only no test bank for the text book included on this purchase

[330158140 test bank for intermediate accounting 14th edition by](#) - Aug 22 2023

web test bank for intermediate accounting 14th edition by donald e kieso click to complete download solutions manual link included downloadablesolutions.com download test bank for intermediate accounting14 e jerry j weygandt donald e kieso terry d warfield 2 which of these statements regarding

**test bank for intermediate accounting 14th edition by donald e** - Mar 17 2023

web test bank for intermediate accounting 14th edition by donald e kieso jerry j weygandt and terry d warfield isbn 978 0

470 61630 7 all the chapters are included this is a test bank only we don t have sell the textbook we only supply digital files a shipping address is not required

*intermediate accounting 14th edition kieso test bank* - Jun 08 2022

web description intermediate accounting 14th edition kieso test bank this is not the text book you are buying test bank for intermediate accounting 14th edition by kieso test bank comes in a pdf or word format and available for download only

*test bank for intermediate accounting 14th edition by kieso issuu* - Nov 13 2022

web aug 12 2015 test bank for intermediate accounting 14th edition by kieso to download this tutorial visit below link

*intermediate accounting 14 edition test bank by kieso* - Sep 11 2022

web apr 20 2015 description chapter 1 financial accounting and accounting standards chapter 2 conceptual framework

underlying financial accounting chapter 3 the accounting information system chapter 4

[a boy after god s own heart your awesome adventure with jesus](#) - Jan 28 2023

web boy after god s own heart a your awesome adventure with jesus ebook jim george 9780736945035 christianbook com by jim george harvest house

**a boy after god s own heart your awesome adventure with** - May 20 2022

web paperback 6 49 16 used from 0 79 4 new from 6 49 boys have a lot competing for their attention and peer pressure can be tremendous making it a challenge to

*a boy after god s own heart your awesome adventure with* - Dec 15 2021

*a boy after god s own heart your awesome adventure with* - Jun 20 2022

web sep 1 2012 a boy after god s own heart on apple books your awesome adventure with jesus jim george 4 0 1 rating 11 99 publisher description boys have a lot

**product reviews a boy after god s own heart your awesome** - Jul 22 2022

web boys have a lot competing for their attention and peer pressure can be tremendous making it a challenge to encourage them toward the things of god and living the

**a boy after god s own heart your awesome adventure with jesus** - Nov 13 2021

**a boy after god s own heart your awesome adventure with jesus** - Jan 16 2022

web boys will learn the value of honoring and respecting their parents the keys to making right choices and decisions how to choose the best kinds of friends and be a good

*a boy after god s own heart your awesome adventure* - Oct 05 2023

web sep 1 2012 a boy after god s own heart your awesome adventure with jesus george jim on amazon com free shipping on qualifying offers a boy after god s

**a boy after god s own heart your awesome adventure with jesus** - Apr 30 2023

web a boy after god s own heart your awesome adventure with jesus jim george amazon co uk books children s books religions christianity buy new 6 49

**a boy after god s own heart your awesome adventure** - Dec 27 2022

web boys will learn the value of honoring and respecting their parents the keys to making right choices and decisions how to choose the best kinds of friends and be a good friend the

a boy after god s own heart your awesome adventure - Aug 03 2023

web your awesome adventure with jesus 18 45 20 50 isbn 9780736945028 format paperback pricing attribute normal page count 112 publication date 1 sep 12

boy after god s own heart a cru media ministry - Jul 02 2023

web title a boy after god s own heart your awesome adventure with jesus author george jim publisher harvest house publishers publication date 2012 isbn

**a boy after god s own heart your awesome adventure with** - Oct 25 2022

web a boy after god s own heart your awesome adventure with jesus george jim amazon sg books

**boy after god s own heart a your awesome adventure with** - Nov 25 2022

web sep 1 2012 a boy after god s own heart your awesome adventure with jesus jim george harvest house publishers sep 1 2012 juvenile nonfiction 112 pages boys

**a boy after god s own heart your awesome adventure with jesus** - Jun 01 2023

web boys have a lot competing for their attention and peer pressure can be tremendous making it a challenge to encourage them toward the things of god and living the

*a boy after god s own heart your awesome adventure* - Feb 26 2023

web sep 1 2012 a boy after god s own heart your awesome adventure with jesus by jim george 2 5 4 write a review paperback 11 99 paperback 11 99 ebook

**a boy after god s own heart your awesome adventure** - Sep 04 2023

web a boy after god s own heart your awesome adventure with jesus by jim george harvest house publishers 2012 paperback 5 out of 5 stars for a boy after god s

a boy after god s own heart your awesome adventure with jesus - Feb 14 2022

web a boy after god s own heart your awesome adventure with jesus by jim george alibris buy a boy after god s own heart

your awesome adventure with jesus by

*a boy after god s own heart your awesome adventure* - Mar 30 2023

web a boy after god s own heart your awesome adventure with jesus ebook written by jim george read this book using google play books app on your pc android ios

a boy after god s own heart your awesome adventure with jesus - Sep 23 2022

web a boy after god s own heart your awesome adventure with jesus jim george harvest house publishers 2012 trade paperback 8 99 retail 12 99 save 31

**a boy after god s own heart your awesome adventure with** - Aug 23 2022

web abebooks com a boy after god s own heart your awesome adventure with jesus 9780736945028 by george jim and a great selection of similar new used and

a boy after god s own heart your awesome adventure with jesus - Mar 18 2022

web a boy after god s own heart your awesome adventure with jesus boys have a lot competing for their attention and peer pressure can be tremendous making it a

**a boy after god s own heart apple books** - Apr 18 2022

web a boy after god s own heart your awesome adventure with jesus has 112 pages a boy after god s own heart your awesome adventure with jesus the average