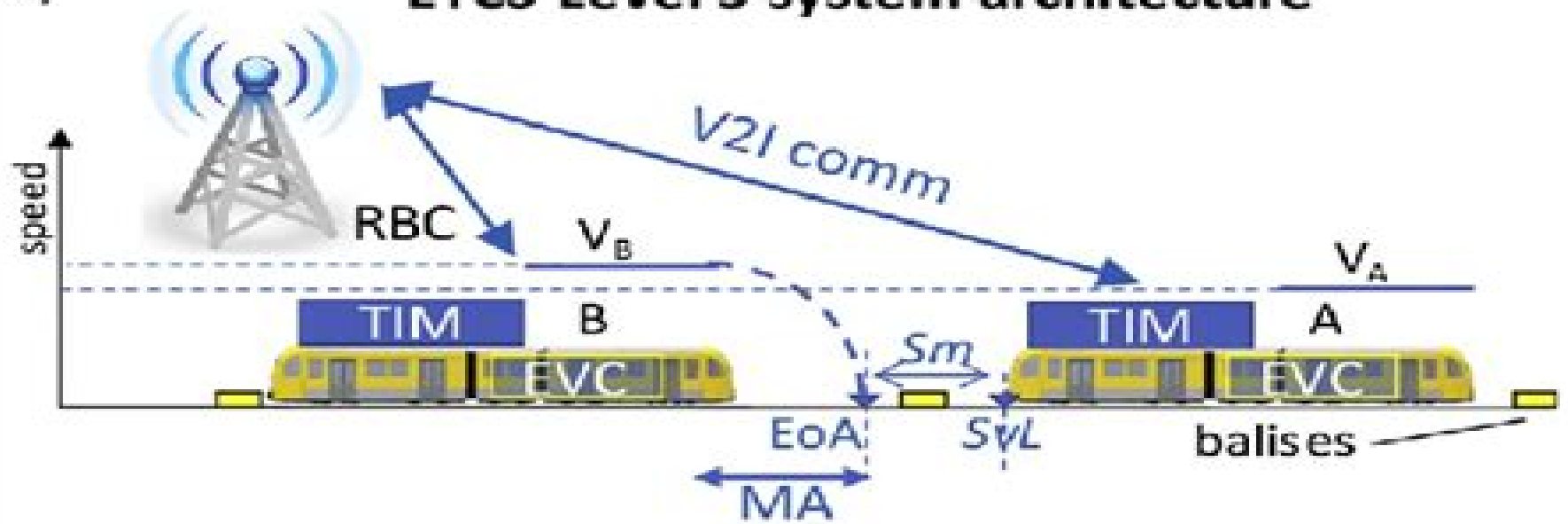
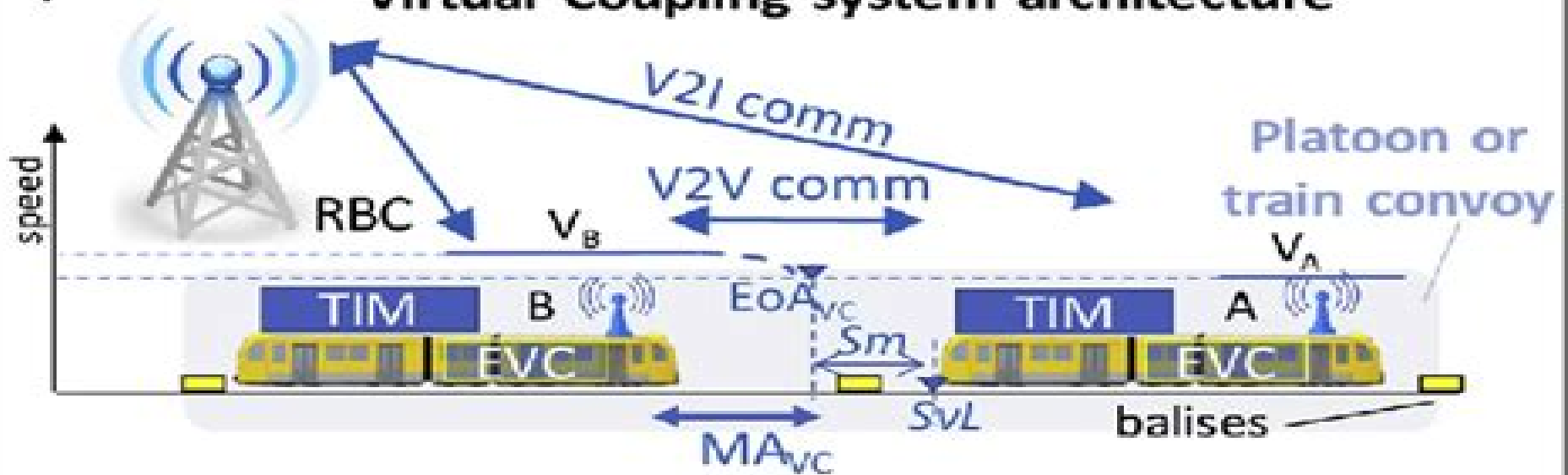


### a) ETCS Level 3 system architecture



### b) Virtual Coupling system architecture



# Ettci Level 3 Exam Study Guide

**Didier Musso**



## **Ettci Level 3 Exam Study Guide:**

Thank you enormously much for downloading **Ettci Level 3 Exam Study Guide**. Most likely you have knowledge that, people have look numerous times for their favorite books behind this Ettci Level 3 Exam Study Guide, but stop happening in harmful downloads.

Rather than enjoying a fine book considering a cup of coffee in the afternoon, then again they juggled later than some harmful virus inside their computer. **Ettci Level 3 Exam Study Guide** is reachable in our digital library an online right of entry to it is set as public appropriately you can download it instantly. Our digital library saves in combined countries, allowing you to acquire the most less latency epoch to download any of our books subsequently this one. Merely said, the Ettci Level 3 Exam Study Guide is universally compatible gone any devices to read.

[https://staging.conocer.cide.edu/files/publication/Download\\_PDFS/Geography\\_Paper\\_1\\_2014\\_June\\_Exam\\_Grade11.pdf](https://staging.conocer.cide.edu/files/publication/Download_PDFS/Geography_Paper_1_2014_June_Exam_Grade11.pdf)

## **Table of Contents Ettci Level 3 Exam Study Guide**

1. Understanding the eBook Ettci Level 3 Exam Study Guide
  - The Rise of Digital Reading Ettci Level 3 Exam Study Guide
  - Advantages of eBooks Over Traditional Books
2. Identifying Ettci Level 3 Exam Study Guide
  - Exploring Different Genres
  - Considering Fiction vs. Non-Fiction
  - Determining Your Reading Goals
3. Choosing the Right eBook Platform
  - Popular eBook Platforms
  - Features to Look for in an Ettci Level 3 Exam Study Guide
  - User-Friendly Interface
4. Exploring eBook Recommendations from Ettci Level 3 Exam Study Guide
  - Personalized Recommendations
  - Ettci Level 3 Exam Study Guide User Reviews and Ratings

- Ettci Level 3 Exam Study Guide and Bestseller Lists
- 5. Accessing Ettci Level 3 Exam Study Guide Free and Paid eBooks
  - Ettci Level 3 Exam Study Guide Public Domain eBooks
  - Ettci Level 3 Exam Study Guide eBook Subscription Services
  - Ettci Level 3 Exam Study Guide Budget-Friendly Options
- 6. Navigating Ettci Level 3 Exam Study Guide eBook Formats
  - ePub, PDF, MOBI, and More
  - Ettci Level 3 Exam Study Guide Compatibility with Devices
  - Ettci Level 3 Exam Study Guide Enhanced eBook Features
- 7. Enhancing Your Reading Experience
  - Adjustable Fonts and Text Sizes of Ettci Level 3 Exam Study Guide
  - Highlighting and Note-Taking Ettci Level 3 Exam Study Guide
  - Interactive Elements Ettci Level 3 Exam Study Guide
- 8. Staying Engaged with Ettci Level 3 Exam Study Guide
  - Joining Online Reading Communities
  - Participating in Virtual Book Clubs
  - Following Authors and Publishers Ettci Level 3 Exam Study Guide
- 9. Balancing eBooks and Physical Books Ettci Level 3 Exam Study Guide
  - Benefits of a Digital Library
  - Creating a Diverse Reading Collection Ettci Level 3 Exam Study Guide
- 10. Overcoming Reading Challenges
  - Dealing with Digital Eye Strain
  - Minimizing Distractions
  - Managing Screen Time
- 11. Cultivating a Reading Routine Ettci Level 3 Exam Study Guide
  - Setting Reading Goals Ettci Level 3 Exam Study Guide
  - Carving Out Dedicated Reading Time
- 12. Sourcing Reliable Information of Ettci Level 3 Exam Study Guide
  - Fact-Checking eBook Content of Ettci Level 3 Exam Study Guide
  - Distinguishing Credible Sources

13. Promoting Lifelong Learning
  - Utilizing eBooks for Skill Development
  - Exploring Educational eBooks
14. Embracing eBook Trends
  - Integration of Multimedia Elements
  - Interactive and Gamified eBooks

### **Ettci Level 3 Exam Study Guide Introduction**

In this digital age, the convenience of accessing information at our fingertips has become a necessity. Whether its research papers, eBooks, or user manuals, PDF files have become the preferred format for sharing and reading documents. However, the cost associated with purchasing PDF files can sometimes be a barrier for many individuals and organizations. Thankfully, there are numerous websites and platforms that allow users to download free PDF files legally. In this article, we will explore some of the best platforms to download free PDFs. One of the most popular platforms to download free PDF files is Project Gutenberg. This online library offers over 60,000 free eBooks that are in the public domain. From classic literature to historical documents, Project Gutenberg provides a wide range of PDF files that can be downloaded and enjoyed on various devices. The website is user-friendly and allows users to search for specific titles or browse through different categories. Another reliable platform for downloading Ettci Level 3 Exam Study Guide free PDF files is Open Library. With its vast collection of over 1 million eBooks, Open Library has something for every reader. The website offers a seamless experience by providing options to borrow or download PDF files. Users simply need to create a free account to access this treasure trove of knowledge. Open Library also allows users to contribute by uploading and sharing their own PDF files, making it a collaborative platform for book enthusiasts. For those interested in academic resources, there are websites dedicated to providing free PDFs of research papers and scientific articles. One such website is Academia.edu, which allows researchers and scholars to share their work with a global audience. Users can download PDF files of research papers, theses, and dissertations covering a wide range of subjects. Academia.edu also provides a platform for discussions and networking within the academic community. When it comes to downloading Ettci Level 3 Exam Study Guide free PDF files of magazines, brochures, and catalogs, Issuu is a popular choice. This digital publishing platform hosts a vast collection of publications from around the world. Users can search for specific titles or explore various categories and genres. Issuu offers a seamless reading experience with its user-friendly interface and allows users to download PDF files for offline reading. Apart from dedicated platforms, search engines also play a crucial role in finding free PDF files. Google, for instance, has an advanced search feature that allows users to filter results by file type. By specifying the file type as "PDF," users can find websites that

offer free PDF downloads on a specific topic. While downloading Ettci Level 3 Exam Study Guide free PDF files is convenient, its important to note that copyright laws must be respected. Always ensure that the PDF files you download are legally available for free. Many authors and publishers voluntarily provide free PDF versions of their work, but its essential to be cautious and verify the authenticity of the source before downloading Ettci Level 3 Exam Study Guide. In conclusion, the internet offers numerous platforms and websites that allow users to download free PDF files legally. Whether its classic literature, research papers, or magazines, there is something for everyone. The platforms mentioned in this article, such as Project Gutenberg, Open Library, Academia.edu, and Issuu, provide access to a vast collection of PDF files. However, users should always be cautious and verify the legality of the source before downloading Ettci Level 3 Exam Study Guide any PDF files. With these platforms, the world of PDF downloads is just a click away.

### FAQs About Ettci Level 3 Exam Study Guide Books

1. Where can I buy Ettci Level 3 Exam Study Guide books? Bookstores: Physical bookstores like Barnes & Noble, Waterstones, and independent local stores. Online Retailers: Amazon, Book Depository, and various online bookstores offer a wide range of books in physical and digital formats.
2. What are the different book formats available? Hardcover: Sturdy and durable, usually more expensive. Paperback: Cheaper, lighter, and more portable than hardcovers. E-books: Digital books available for e-readers like Kindle or software like Apple Books, Kindle, and Google Play Books.
3. How do I choose a Ettci Level 3 Exam Study Guide book to read? Genres: Consider the genre you enjoy (fiction, non-fiction, mystery, sci-fi, etc.). Recommendations: Ask friends, join book clubs, or explore online reviews and recommendations. Author: If you like a particular author, you might enjoy more of their work.
4. How do I take care of Ettci Level 3 Exam Study Guide books? Storage: Keep them away from direct sunlight and in a dry environment. Handling: Avoid folding pages, use bookmarks, and handle them with clean hands. Cleaning: Gently dust the covers and pages occasionally.
5. Can I borrow books without buying them? Public Libraries: Local libraries offer a wide range of books for borrowing. Book Swaps: Community book exchanges or online platforms where people exchange books.
6. How can I track my reading progress or manage my book collection? Book Tracking Apps: Goodreads, LibraryThing, and Book Catalogue are popular apps for tracking your reading progress and managing book collections. Spreadsheets: You can create your own spreadsheet to track books read, ratings, and other details.

7. What are Ettci Level 3 Exam Study Guide audiobooks, and where can I find them? Audiobooks: Audio recordings of books, perfect for listening while commuting or multitasking. Platforms: Audible, LibriVox, and Google Play Books offer a wide selection of audiobooks.
8. How do I support authors or the book industry? Buy Books: Purchase books from authors or independent bookstores. Reviews: Leave reviews on platforms like Goodreads or Amazon. Promotion: Share your favorite books on social media or recommend them to friends.
9. Are there book clubs or reading communities I can join? Local Clubs: Check for local book clubs in libraries or community centers. Online Communities: Platforms like Goodreads have virtual book clubs and discussion groups.
10. Can I read Ettci Level 3 Exam Study Guide books for free? Public Domain Books: Many classic books are available for free as they're in the public domain. Free E-books: Some websites offer free e-books legally, like Project Gutenberg or Open Library.

### **Find Ettci Level 3 Exam Study Guide :**

[geography paper 1 2014 june exam grade11](#)

[geography paper 2 map work grade 1scope](#)

**geography grade paper 2 march**

[geography paper memorandum march 24](#)

[geography paper2 memo grade10 2013](#)

**geography memo p2 november 2014**

[geography november exemplar](#)

[geography past paper question form four](#)

[geography paper grade scope](#)

**geography p2 june exam 2014 of kzn**

**geography question paper caps november 2013 gauteng**

**geometry answers for practice sohcahtoa**

[geography june exam question paper memorandum 24](#)

[geometry 7-3 proving triangles similar form g](#)

**geography june question paper for northern cape**



**Ettci Level 3 Exam Study Guide :**

**casino 1995 film wikipedia** - Jul 30 2023

web casino is a 1995 epic crime film directed by martin scorsese adapted by scorsese and nicholas pileggi from the latter s nonfiction book casino love and honor in las vegas it stars robert de niro sharon stone joe pesci don rickles kevin pollak [name](#) - Feb 10 2022

web price min selected target currency price max selected target currency

**casino love and honor in las vegas by nicholas pileggi** - Feb 22 2023

web jun 28 2011 casino from nicholas pileggi author of wiseguy the 1 bestseller that became martin scorsese s academy award winning film goodfellas comes the brilliantly told true story of love marriage adultery murder and revenge mafia style the shattering inside account of how the mob finally lost its stranglehold over the neon money

[casino by nicholas pileggi ebook ebooks com](#) - Jul 18 2022

web focusing on chicago bookie frank lefty rosenthal and his partner anthony spilotro and drawing on extensive in depth interviews the 1 new york times bestselling author of the mafia classic wiseguy basis for the film goodfellas nicholas pileggi reveals how the pair worked together to oversee las vegas casino operations for the

**casino love and honor in las vegas pileggi nicholas free** - Nov 21 2022

web casino love and honor in las vegas pileggi nicholas free download borrow and streaming internet archive

**casino by nicholas pileggi open library** - Aug 19 2022

web apr 4 2023 casino by nicholas pileggi martin scorsese 1995 simon schuster edition in english

*las vegas was magic in earlier days but spectacular now casino* - Sep 19 2022

web nov 26 2020 las vegas was magic in the era when casinos were smaller and more intimate author and screenwriter nicholas pileggi told casino org but the city and its casinos now are spectacular

**casino love and honor in las vegas amazon co uk pileggi nicholas** - Dec 23 2022

web casino from nicholas pileggi author of wiseguy the 1 bestseller that became martin scorsese s academy award winning film goodfellas comes the brilliantly told true story of love marriage adultery murder and revenge mafia style the shattering inside account of how the mob finally lost its stranglehold over the neon money making

[casino by nicholas pileggi goodreads](#) - Aug 31 2023

web oct 1 1995 the book casino by nicholas pileggi is a crime book about two friends with mob connections who are advised to move to las vegas to run casino and skim money off the casino and give it to kansas city mobsters

**the 25th anniversary of casino looking back with nicholas pileggi** - Jun 16 2022

web twenty five years after the film s release the mob museum brought together screenwriter nicholas pileggi and former

mob defense attorney oscar goodman to discuss the making of casino and its

**casino love and honor in las vegas wikipedia** - Oct 01 2023

web casino love and honor in las vegas isbn 0684808323 is a 1995 non fiction book by crime reporter nicholas pileggi that depicts the story of the alliance of mafia mobsters lefty rosenthal and tony spilotro and their exploits working in

*casino love and honor in las vegas nicholas pileggi google* - Jun 28 2023

web jun 28 2011 simon and schuster jun 28 2011 fiction 432 pages casino from nicholas pileggi author of wiseguy the 1 bestseller that became martin scorsese s academy award winning film goodfellas

*casino nicholas pileggi casa del libro* - Apr 14 2022

web casino amor y honor en las vegas de nicholas pileggi nadie sabía más sobre el mundo del juego y las apuestas que frank lefty rosenthal el cerebro de las matemáticas que junto con su socio y mejor amigo anthony the ant spilotro matón y asesino a sueldo llegaron a las vegas con el objetivo de conquistarla para la mafia

*amazon com casino love and honor in las vegas ebook pileggi* - Mar 26 2023

web oct 18 2016 nicholas pileggi martin scorsese casino love and honor in las vegas kindle edition by nicholas pileggi author format kindle edition 4 4 2 248 ratings see all formats and editions kindle 0 00 read with kindle unlimited to also enjoy access to over 4 million more titles 9 49 to buy audiobook 0 00 free with your audible trial great on kindle

*nicholas pileggi wikipedia* - May 28 2023

web he is best known for writing wiseguy life in a mafia family 1985 which he adapted into the movie goodfellas 1990 and for writing casino love and honor in las vegas and the subsequent screenplay for casino 1995

**casino how the mob muscled in on las vegas review** - May 16 2022

web published 2 january 2021 updated 9 september 2023 book reviews tip jar casino tells the sordid and sorry tale of how the mob won and lost las vegas one of the oddest aspects of pileggi s true crime account comes in the acknowledgements where the author thanks various mobsters and murderers for their help researching the book

[casino love and honor in las vegas nicholas pileggi google](#) - Oct 21 2022

web nicholas pileggi simon schuster 1995 casinos 363 pages from nicholas pileggi comes this tale of love marriage adultery murder and revenge mafia style at once a love story and a bigger than life business story the business being las vegas s multibillion dollar casino gambling industry and how the mob finally lost its

[casino book by nicholas pileggi official publisher page](#) - Jan 24 2023

web casino from nicholas pileggi author of wiseguy the 1 bestseller that became martin scorsese s academy award winning film goodfellas comes the brilliantly told true story of love marriage adultery murder and revenge mafia style the shattering inside account of how the mob finally lost its stranglehold over the neon money

**casino by nicholas pileggi open library** - Mar 14 2022

web april 26 2011 history edit an edition of casino 1995 casino by nicholas pileggi and martin scorsese 0 ratings 14 want to read 1 currently reading 2 have read this edition doesn't have a description yet can you add one publish date 1998 publisher grandes exitos language spanish pages 247 previews available in english subjects

**casino love and honor in las vegas nicholas pileggi google books** - Apr 26 2023

web oct 18 2016 nicholas pileggi open road media oct 18 2016 true crime 432 pages the true story behind the martin scorsese film a riveting account of how organized crime looted the casinos

[fire on the mountain joell](#) - May 16 2022

nature and woman an eco feminist analysis of anita desai s dr dipti ranjan maharana p g dept of english u n auto college of sc and tech adaspur

[feminist approach to anita desai s fire on the mountain sonia](#) - Jun 28 2023

sonia chahal assistant professor english g k s m govt college tanda urmar punjab received may 07 2018 accepted june 11 2018

**an ecofeminist reading of anita desai s fire on the mountain** - Apr 26 2023

book jan 2006 margaret walters view show abstract fire on the mountain jan 2008 anita desai desai anita 2008 fire on the mountain united kingdom random house india women

**anita desai fire on the mountain rama kundu google books** - Jul 18 2022

anita desai fire on the mountain rama kundu atlantic publishers dist 2005 indic fiction english 210 pages 0 reviews reviews aren't verified but google checks for and removes fake content when it's identified

*portrayal of women in anita desai s fire on the mountain* - Aug 31 2023

article details portrayal of women in anita desai s fire on the mountain original article ms shalini jaiswal in journal of advances and scholarly researches in allied education multidisciplinary academic research download pdf view html abstract

**anita desai s fire on the mountain an ecofeminist reading** - May 28 2023

thesis full text available jan 2021 sarah yehia ali view show abstract discover more rock art research margaret bullen sometimes the narrative behind visual imagery is lost because there is no one

**anita desai and fire on the mountain a woman s treatise on** - Dec 23 2022

jul 15 2014 keywords hopeless passivism desperate quietism contemplative bourgeois philosophy ontological crisis individualistic isolationism introduction fire on the mountain is all about four women nanda kaul little raka ila das and anita desai herself as the omnipresent ex cathedra factor that shapes and moulds every single aspect of the matrix of the novel

**gender inequality in anita desai s fire on the mountain ijcr** - Jun 16 2022

particularly believes in male dominance and female subordination the same thing is intensified by anita desai in this novel desai explores the predicament of women in which they combat with the traditional norms of society the aim of this paper is **the marital discord an analytical study in anita desai s novels fire** - Nov 21 2022

anita desai s fire on the mountain carries perspective of ecosophy appropriately anita desai s main concern in her writing is anita desai s main concern in her writing is human relationships

**anita desai s fire on the mountain an ecofeminist reading** - Sep 19 2022

download citation on jan 25 2017 maha abdel moneim emara published anita desai s fire on the mountain an ecofeminist reading find read and cite all the research you need on researchgate

*pdf anita desai as a feminist novelist researchgate* - Aug 19 2022

feb 24 2022 4 desai anita fire on the mountain allied publisher privet limited delhi 1985

**fire on the mountain a plurivocal feminist discourse** - Oct 01 2023

again anita desai delineates the male characters hke ram lai and the grain seller who are sympathetic towards raka and lua das respectively but not the oppressors of women thus desai subverts the simple man woman binary opposition in this fiction

**an eco feminist outlook in the selected works of anita desai** - Mar 26 2023

jan 1 2017 author content content may be subject to copyright cry the peacock anita desai as an artist winged macmillan publ indian paperback 2009 citations 0 references 2 women and society in

**anita desai fire on the mountain jstor** - Oct 21 2022

fire on the mountain it seems as if this is what nanda kaul is attempting to do as she at the end of a long life and three generations of children withdraws to carignano the lonely

**plight of women and nature in anita desai s the fire on the mountain** - Jul 30 2023

introduction the novels of anita desai have been examined from several viewpoints particularly formalist and artistic desai is probably the most experienced artist of all indian authors of english literature

**feminism in the novels of anita desai researchgate** - Feb 22 2023

may 20 2023 the first and foremost aim of this paper is to bring out identity quest in anita desai s bye bye blackbird and fire on the mountain in this novel the characters who try to know their self are

[an ecofeminist reading of anita desai s fire on the mountain](#) - Apr 14 2022

download pdf dr antara saha download free pdf view pdf aabs publishing house kolkata india 2019 dipak giri this present volume of nineteen essays presents a critical insight into the works of many writers of repute all essays are woman and ecocentric where both woman and ecology are critically discussed

*feminism in anita desai s novel 1014 words internet public library* - Feb 10 2022

more about feminism in anita desai s novel nursing and the feminist movement 1310 words 6 pages role of manhood in the great gatsby 630 words 3 pages gender roles in the late 1800 s 1895 words 8 pages women s equality during the american revolution 1509 words 7 pages feminism in the 1920 s 566 words 3 pages

**style and narrative technique in the novel of anita desai fire** - Mar 14 2022

keywords subconscious narration real life introduction anita desai is not interested in picturing the surface reality she is more interested in discovering the unknown untapped dark regions in the human mind in a given social milieu but the background of social setting does not interfere with the minute probing of individuals

**anita desai s fire on the mountain an ecofeminist reading** - Jan 24 2023

feb 3 2017 2019 two of the most important political movements of the late twentieth century are those of environmentalism and feminism in this book val plumwood argues that feminist theory has an important expand 1 034 pdf 2 excerpts woman and nature

**a simple guide to periodization for strength training** - Nov 06 2022

web nov 10 2014 in undulating design the stimulus is varied either within a weekly model wup or in daily undulating periodization dup where daily changes are made to either volume or intensity studies like the rhea study in 2002 have shown this modeling can be more favorable for increases in strength gains than in typical linear modeling in well

**daily undulating periodization dup training program spreadsheets** - Oct 17 2023

web apr 18 2020 undulating increasing and decreasing over time periodization structuring training intensity volume and frequency to achieve a certain training goal

daily undulating periodization does it work for hypertrophy - Jul 02 2022

web oct 9 2022 monday 5 sets of 5 reps with 85 1rm wednesday 2 sets of 10 reps with 65 1rm friday 8 sets of 3 reps with 90 1rm dup is commonly used by weightlifters and powerlifters but can also be beneficial in bodybuilding for hypertrophy or muscle growth contrary to popular opinion daily undulating periodization dup is not a new concept

**daily undulating periodization how the pros get strong fast** - May 12 2023

web apr 6 2023 powerlifting weight loss diets daily undulating periodization manipulates training variables allows anyone to get strong fast like pros use this tip to maximize gains

a straightforward daily undulating periodization template that reddit - Jun 01 2022

web dec 21 2014 a straightforward daily undulating periodization template that anyone can follow excel i couldn t find a progression online for daily undulating periodization that was programmed out longer than a single week so i made my own using excel this should work well for late intermediate lifters like myself screenshot

**strength training with undulating periodization trainheroic** - Apr 30 2022

web undulating periodization programming with weekly volume in sets and reps this one is pretty straight forward think light medium and heavy movement romanian deadlifts day 1 moderate weight at 3 sets of 5 reps build the pattern under some stress day 2 of the same movement we go light weight 3 x10 re establish good form and time under

**daily undulating periodization dup 101 infinite fitness pro** - Mar 30 2022

web aug 24 2021 this training program consists of a 14 day mesocycle with 3 or 4 workouts of different training intensity and volume in weekly undulating periodization wup the intensity and volume change weekly whereas in daily undulating periodization dup intensity and volume change daily in this way instead of sticking to a single training

**daily undulating periodization dup how to build muscle fast** - Sep 16 2023

web aug 24 2020 about the author eric bach daily undulating periodization also known as dup is one of the most effective strength training strategies to help you build strength and muscle what is daily undulating periodization dup

**s c coach templates basic strength conditioning** - Oct 05 2022

web click to download an excel file for you to use and modify as you require weight training design chart a chart to help plan exercise and sets reps intensity progressions over a 12 week phase suitable for coaches and athletes view fullsize get the template s c template chart

the ultimate 8 week powerlifting program fitness volt - Feb 26 2022

web jul 11 2020 therefore periodization programs such as the eight week undulating program are recommended for any lifter who aspires to develop their strength and excel in competition references fitness volt is committed to providing our readers with science based information

use daily undulating periodization to force new muscle and - Jan 08 2023

web oct 10 2023 1 while remarkable comparable papers don t corroborate such astounding increases though most do assert that dup does lead to statistically significant strength gains for most trainees 2

**daily undulating periodization the bogeyman of training programs** - Sep 04 2022

web daily undulating periodization dup also called daily nonlinear periodization has been another beast entirely it s an idea that seems to be gathering cobwebs in the fitness world at large in spite of the fact that it s been well

periodization training simplified a strategic guide nasm blog - Apr 11 2023

web an example of linear periodization is adding weight load to a given exercise each training session until that 4 or 8 week block is completed an example of undulating periodization would be doing a high volume low intensity session followed by a low volume high intensity session the following week

how to remove periods in numbers in excel tips make - Nov 25 2021

web may 19 2020 step 3 press ctrl h to open the find replace window the find replace window appears in the find what

section enter replace with leave blank then press the replace all button to delete all the dots in the selection in step 2 or press the replace button to delete one dot at a time

*concurrent vs conjugate vs daily undulating periodization* - Jan 28 2022

web feb 23 2019 jason blaha merchandise teespring com stores jason blaha fitnessre scotthermanfitness omarisuf alphadestiny deadlifts engage the traps more tha

undulating periodization powerlifting strength programs lift - Aug 15 2023

web nov 1 2021 by kyle risley last updated february 15 2021 experience level advanced intermediate weeks 6 periodization block periodization undulating periodization meet prep program no program goal strength uses rpe no uses 1rm percentage yes

*26 powerlifting and powerbuilding programs free downloads* - Feb 09 2023

web dec 9 2021 daily undulating periodization dup refers to inversely changing intensity and volume multiple times throughout a microcycle week in practice an example of dup would be 5 sets of 3 reps at 80 for squat on monday and 5 sets of 5 reps at 75 for squat on friday conjugate periodization refers to constantly alters training stressors

**periodization training linear vs undulating vs block vs** - Jul 14 2023

web aug 5 2021 for example if you wanted to develop muscular endurance or work capacity 2 undulating periodization aka non linear periodization undulating periodization also referred to as non linear periodization involves varying the stimulus on a daily dup or weekly wup basis dup daily undulating periodization

**an intro to daily undulating periodization breaking muscle** - Dec 07 2022

web jun 14 2021 as the name implies daily each day undulating constantly changing periodization the systematic planning of the training program this has several distinct advantages first specificity because of increased exposure to the motor patterns of each exercise the competency or technical skill increases

**how to plan a periodized mesocycle for athletes on excel youtube** - Aug 03 2022

web oct 9 2017 how to plan a periodized mesocycle for athletes on excel programming flow high performance 158k subscribers subscribe 24k views 5 years ago programming this video will explore how to design a

*daily undulating periodization dup muscle growth workout* - Mar 10 2023

web jun 13 2020 digging into daily undulating periodization dup dup revolves around the idea of high frequency training by changing the daily stimulus volume intensity rep ranges exercise selection etc not just high frequency overall but high frequency for specific lifts in order to enhance motor learning by repeated exposures to the same

**daily undulating periodization program dup program review** - Jun 13 2023

web jan 11 2021 intro daily undulating periodization program dup program review linear vs undulating periodization the

movement system 62 3k subscribers subscribe 20k views 2 years ago free dup

**undulating periodization pros and cons opex fit** - Dec 27 2021

web mar 23 2022 undulating periodization is a type of training where volume and intensity go up and down either weekly or daily within the training period weekly undulating periodization wup changes the volume and intensity week to week and daily undulating periodization dup adjusts the volume and intensity daily between training