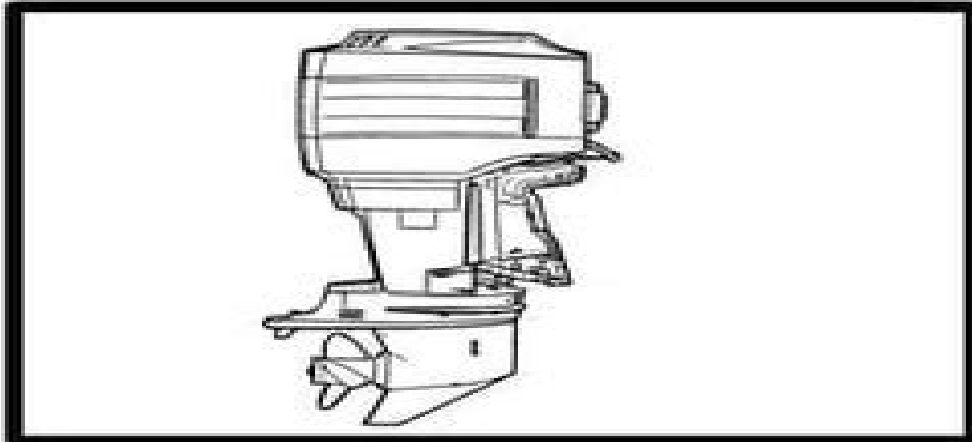




GENERAL INFORMATION AND SPECIFICATIONS

1



Mariner Outboard Repair Manual

L Towne



Mariner Outboard Repair Manual:

Discover tales of courage and bravery in Explore Bravery with is empowering ebook, **Mariner Outboard Repair Manual** . In a downloadable PDF format (Download in PDF: *), this collection inspires and motivates. Download now to witness the indomitable spirit of those who dared to be brave.

https://staging.conocer.cide.edu/public/scholarship/index.jsp/fremont_court_martial.pdf

Table of Contents Mariner Outboard Repair Manual

1. Understanding the eBook Mariner Outboard Repair Manual
 - The Rise of Digital Reading Mariner Outboard Repair Manual
 - Advantages of eBooks Over Traditional Books
2. Identifying Mariner Outboard Repair Manual
 - Exploring Different Genres
 - Considering Fiction vs. Non-Fiction
 - Determining Your Reading Goals
3. Choosing the Right eBook Platform
 - Popular eBook Platforms
 - Features to Look for in an Mariner Outboard Repair Manual
 - User-Friendly Interface
4. Exploring eBook Recommendations from Mariner Outboard Repair Manual
 - Personalized Recommendations
 - Mariner Outboard Repair Manual User Reviews and Ratings
 - Mariner Outboard Repair Manual and Bestseller Lists
5. Accessing Mariner Outboard Repair Manual Free and Paid eBooks
 - Mariner Outboard Repair Manual Public Domain eBooks
 - Mariner Outboard Repair Manual eBook Subscription Services
 - Mariner Outboard Repair Manual Budget-Friendly Options
6. Navigating Mariner Outboard Repair Manual eBook Formats

- ePub, PDF, MOBI, and More
 - Mariner Outboard Repair Manual Compatibility with Devices
 - Mariner Outboard Repair Manual Enhanced eBook Features
7. Enhancing Your Reading Experience
 - Adjustable Fonts and Text Sizes of Mariner Outboard Repair Manual
 - Highlighting and Note-Taking Mariner Outboard Repair Manual
 - Interactive Elements Mariner Outboard Repair Manual
 8. Staying Engaged with Mariner Outboard Repair Manual
 - Joining Online Reading Communities
 - Participating in Virtual Book Clubs
 - Following Authors and Publishers Mariner Outboard Repair Manual
 9. Balancing eBooks and Physical Books Mariner Outboard Repair Manual
 - Benefits of a Digital Library
 - Creating a Diverse Reading Collection Mariner Outboard Repair Manual
 10. Overcoming Reading Challenges
 - Dealing with Digital Eye Strain
 - Minimizing Distractions
 - Managing Screen Time
 11. Cultivating a Reading Routine Mariner Outboard Repair Manual
 - Setting Reading Goals Mariner Outboard Repair Manual
 - Carving Out Dedicated Reading Time
 12. Sourcing Reliable Information of Mariner Outboard Repair Manual
 - Fact-Checking eBook Content of Mariner Outboard Repair Manual
 - Distinguishing Credible Sources
 13. Promoting Lifelong Learning
 - Utilizing eBooks for Skill Development
 - Exploring Educational eBooks
 14. Embracing eBook Trends
 - Integration of Multimedia Elements
 - Interactive and Gamified eBooks

Mariner Outboard Repair Manual Introduction

Free PDF Books and Manuals for Download: Unlocking Knowledge at Your Fingertips In today's fast-paced digital age, obtaining valuable knowledge has become easier than ever. Thanks to the internet, a vast array of books and manuals are now available for free download in PDF format. Whether you are a student, professional, or simply an avid reader, this treasure trove of downloadable resources offers a wealth of information, conveniently accessible anytime, anywhere. The advent of online libraries and platforms dedicated to sharing knowledge has revolutionized the way we consume information. No longer confined to physical libraries or bookstores, readers can now access an extensive collection of digital books and manuals with just a few clicks. These resources, available in PDF, Microsoft Word, and PowerPoint formats, cater to a wide range of interests, including literature, technology, science, history, and much more. One notable platform where you can explore and download free Mariner Outboard Repair Manual PDF books and manuals is the internet's largest free library. Hosted online, this catalog compiles a vast assortment of documents, making it a veritable goldmine of knowledge. With its easy-to-use website interface and customizable PDF generator, this platform offers a user-friendly experience, allowing individuals to effortlessly navigate and access the information they seek. The availability of free PDF books and manuals on this platform demonstrates its commitment to democratizing education and empowering individuals with the tools needed to succeed in their chosen fields. It allows anyone, regardless of their background or financial limitations, to expand their horizons and gain insights from experts in various disciplines. One of the most significant advantages of downloading PDF books and manuals lies in their portability. Unlike physical copies, digital books can be stored and carried on a single device, such as a tablet or smartphone, saving valuable space and weight. This convenience makes it possible for readers to have their entire library at their fingertips, whether they are commuting, traveling, or simply enjoying a lazy afternoon at home. Additionally, digital files are easily searchable, enabling readers to locate specific information within seconds. With a few keystrokes, users can search for keywords, topics, or phrases, making research and finding relevant information a breeze. This efficiency saves time and effort, streamlining the learning process and allowing individuals to focus on extracting the information they need. Furthermore, the availability of free PDF books and manuals fosters a culture of continuous learning. By removing financial barriers, more people can access educational resources and pursue lifelong learning, contributing to personal growth and professional development. This democratization of knowledge promotes intellectual curiosity and empowers individuals to become lifelong learners, promoting progress and innovation in various fields. It is worth noting that while accessing free Mariner Outboard Repair Manual PDF books and manuals is convenient and cost-effective, it is vital to respect copyright laws and intellectual property rights. Platforms offering free downloads often operate within legal boundaries, ensuring that the materials they provide are either in the public domain or authorized for distribution. By adhering to copyright laws, users can enjoy the benefits of free access to knowledge while supporting the authors and

publishers who make these resources available. In conclusion, the availability of Mariner Outboard Repair Manual free PDF books and manuals for download has revolutionized the way we access and consume knowledge. With just a few clicks, individuals can explore a vast collection of resources across different disciplines, all free of charge. This accessibility empowers individuals to become lifelong learners, contributing to personal growth, professional development, and the advancement of society as a whole. So why not unlock a world of knowledge today? Start exploring the vast sea of free PDF books and manuals waiting to be discovered right at your fingertips.

FAQs About Mariner Outboard Repair Manual Books

1. Where can I buy Mariner Outboard Repair Manual books? Bookstores: Physical bookstores like Barnes & Noble, Waterstones, and independent local stores. Online Retailers: Amazon, Book Depository, and various online bookstores offer a wide range of books in physical and digital formats.
2. What are the different book formats available? Hardcover: Sturdy and durable, usually more expensive. Paperback: Cheaper, lighter, and more portable than hardcovers. E-books: Digital books available for e-readers like Kindle or software like Apple Books, Kindle, and Google Play Books.
3. How do I choose a Mariner Outboard Repair Manual book to read? Genres: Consider the genre you enjoy (fiction, non-fiction, mystery, sci-fi, etc.). Recommendations: Ask friends, join book clubs, or explore online reviews and recommendations. Author: If you like a particular author, you might enjoy more of their work.
4. How do I take care of Mariner Outboard Repair Manual books? Storage: Keep them away from direct sunlight and in a dry environment. Handling: Avoid folding pages, use bookmarks, and handle them with clean hands. Cleaning: Gently dust the covers and pages occasionally.
5. Can I borrow books without buying them? Public Libraries: Local libraries offer a wide range of books for borrowing. Book Swaps: Community book exchanges or online platforms where people exchange books.
6. How can I track my reading progress or manage my book collection? Book Tracking Apps: Goodreads, LibraryThing, and Book Catalogue are popular apps for tracking your reading progress and managing book collections. Spreadsheets: You can create your own spreadsheet to track books read, ratings, and other details.
7. What are Mariner Outboard Repair Manual audiobooks, and where can I find them? Audiobooks: Audio recordings of books, perfect for listening while commuting or multitasking. Platforms: Audible, LibriVox, and Google Play Books offer a wide selection of audiobooks.

8. How do I support authors or the book industry? Buy Books: Purchase books from authors or independent bookstores. Reviews: Leave reviews on platforms like Goodreads or Amazon. Promotion: Share your favorite books on social media or recommend them to friends.
9. Are there book clubs or reading communities I can join? Local Clubs: Check for local book clubs in libraries or community centers. Online Communities: Platforms like Goodreads have virtual book clubs and discussion groups.
10. Can I read Mariner Outboard Repair Manual books for free? Public Domain Books: Many classic books are available for free as they're in the public domain. Free E-books: Some websites offer free e-books legally, like Project Gutenberg or Open Library.

Find Mariner Outboard Repair Manual :

[fremont court martial](#)

[french entree paris a gatwick guide no 11 french entree](#)

[french revolution and human rights a brief documentary history](#)

[freedom unfinished fundamentalism and popular resistance in bangladesh today](#)

[french and spanish records of louisiana](#)

[freedom and modernity s u n y series in philosophy](#)

[fresh winds of the spirit 2](#)

french canadians in massachusetts politics 18851915 ethnicity and political pragmatism

[freed to be gods people](#)

[freud the theory of the unconscious](#)

[freedom cry from prison freedom cry from prison paperback](#)

[french diction for singers and speakers](#)

french or foe getting the most out of living and working in france

[freedoms song](#)

[freemasonry in maryland in 1825](#)

Mariner Outboard Repair Manual :

harry potter and the chamber of secrets sparknotes - Jun 10 2023

web harry potter and the chamber of secrets is a novel by j k rowling that was first published in 1998 explore a plot summary

a character analysis of harry potter and important quotes summary read our full plot summary and analysis of harry potter and the chamber of secrets chapter by chapter break downs and more summary analysis

harry potter and the chamber of secrets chapter nine the - Mar 27 2022

web a summary of chapter nine the writing on the wall in j k rowling s harry potter and the chamber of secrets learn exactly what happened in this chapter scene or section of harry potter and the chamber of secrets and what it means perfect for acing essays tests and quizzes as well as for writing lesson plans

harry potter and the chamber of secrets analysis enotes com - Nov 03 2022

web 1 day ago most of the action in harry potter and the chamber of secrets occurs at hogwarts during the years 1992 and 1993 the realism of the non magical muggle world particularly the dursleys home

harry potter and the chamber of secrets plot summary book - Jun 29 2022

web harry potter and the chamber of secrets is the second book in j k rowling s harry potter series it follows harry potter and his friends ron and hermione and their adventures during their second year at hogwarts this novel starts immediately after the events of harry potter and the philosopher s stone

harry potter and the chamber of secrets themes and analysis - Jul 11 2023

web publication date 1998 genre children coming of age fantasy rating 4 0 5 themes and analysis harry potter and the chamber of secrets by j k rowling harry potter and the chamber of secrets explores a lot of new themes that were not considered in the first book making it grittier and realistic compared to the first installment

harry potter and the chamber of secrets sparknotes - Sep 13 2023

web harry potter major conflict harry ron and hermione discover and destroy the creature that is coming out of the chamber of secrets and petrifying students rising action a series of tragedies occur one student after another is attacked and turned to stone ginny weasley disappears into the chamber climax

harry potter and the chamber of secrets litcharts - Feb 23 2022

web get everything you need to know about harry potter in harry potter and the chamber of secrets analysis related quotes timeline harry potter and the chamber of secrets

harry potter and the chamber of secrets summary litcharts - May 09 2023

web when harry refuses to promise that he will not return to hogwarts dobby destroys petunia s pudding and ruins the dinner the dursleys imprison harry in his room for three days harry s friend ron weasley and his brothers fred and george then rescue harry using a flying car belonging to their father mr weasley

harry potter and the chamber of secrets goodreads - Feb 06 2023

web jan 1 2001 j k rowling mary grandpré illustrator 4 43 3 742 439 ratings75 210 reviews ever since harry potter had

come home for the summer the dursleys had been so mean and hideous that all harry wanted was to get back to the hogwarts school for witchcraft and wizardry but just as he s packing his bags harry receives a warning

harry potter and the chamber of secrets book analysis - Oct 02 2022

web jul 2 1998 harry potter and the chamber of secrets is the second installment in the popular harry potter book series penned by j k rowling this book takes off from the beginning of harry s second year at hogwarts school of witchcraft and wizardry

harry potter and the chamber of secrets sparknotes - Apr 08 2023

web harry potter and the chamber of secrets begins when harry is spending a miserable summer with his only remaining family the dursleys during a dinner party hosted by his uncle and aunt harry is visited by doobby a house elf

harry potter and the chamber of secrets themes litcharts - Jan 05 2023

web intro plot summary analysis themes quotes characters symbols theme viz teachers and parents our teacher edition on harry potter and the chamber of secrets makes teaching easy everything you need for every book you read sooo much more helpful than sparknotes the way the content is organized

harry potter and the chamber of secrets literature tv tropes - Sep 01 2022

web jul 2 1998 harry potter and the chamber of secrets is the second book in the harry potter series published on july 2 1998 the main plot involves the chamber of secrets a hidden chamber within hogwarts built by salazar slytherin

harry potter and the chamber of secrets summary enotes com - Dec 04 2022

web characters complete summary of j k rowling s harry potter and the chamber of secrets enotes plot summaries cover all the significant action of harry potter and the chamber of secrets

harry potter and the chamber of secrets litcharts - Apr 27 2022

web harry potter and the chamber of secrets characters harry potter harry potter the protagonist of the series this second book in the series follows harry as he tries to solve the mystery of what is causing the attacks on muggle born students at hogwarts harry also spends much read analysis of harry potter hermione granger

harry potter and the chamber of secrets study guide - Mar 07 2023

web harry potter and the chamber of secrets is the second in a series of seven books centering on protagonist harry potter following harry potter and the sorcerer s stone and preceding harry potter and the prisoner of azkaban

harry potter and the chamber of secrets litdevices com - May 29 2022

web harry potter and the chamber of secrets is a thrilling sequel to the beloved fantasy novel

harry potter and the chamber of secrets open library - Jul 31 2022

web oct 19 2023 throughout the summer holidays after his first year at hogwarts school of witchcraft and wizardry harry

potter has been receiving sinister warnings from a house elf called doobby now back at school to start his second year harry hears unintelligible whispers echoing through the corridors before long the attacks begin students are

[harry potter and the chamber of secrets literary elements](#) - Aug 12 2023

web harry potter and the chamber of secrets literary elements genre setting and context narrator and point of view tone and mood protagonist and antagonist protagonist harry potter major conflict climax harry with the help of fawkes dumbledore s pet phoenix battles tom riddle aka

harry potter and the chamber of secrets wikipedia - Oct 14 2023

web harry potter and the chamber of secrets is a fantasy novel written by british author j k rowling and the second novel in the harry potter series

die anordnungen des arztes liebesroman gerettet v - Nov 27 2022

web memoiren eines arztes mémoires d un médecin ist ein roman zyklus von alexandre dumas dem Älteren aus den jahren 1846 bis 1853 er besteht aus den vier romanen joseph balsamo das

die anordnungen des arztes liebesroman gerettet v 2023 - Feb 16 2022

web 2 die anordnungen des arztes liebesroman gerettet v 2023 03 17 die anordnungen des arztes liebesroman gerettet v downloaded from implantes odontocompany com by guest simpson porter karin bucha staffel 1 liebesroman e artnow mein letztes studienjahr an der medizinischen fakultät war ihretwegen das beste jahr das ich je

die anordnungen des arztes ein milliardär arzt liebesroman - Dec 29 2022

web feb 20 2020 ich bin der arzt vor dem man dich gewarnt hat und ich habe das heilmittel um jedes verlangen deines körpers zu stillen mich in meine wunderschöne nachbarin nebenan zu verlieben war nicht teil meines plans

die anordnungen des arztes ein milliardär arzt liebesroman gerettet - Jul 04 2023

web die anordnungen des arztes ein milliardär arzt liebesroman gerettet von dem arzt 2 von jessica f thalia startseite vor ort ein milliardär arzt liebesroman gerettet von dem arzt 2 jessica f ebook 4 99 inkl gesetzl mwst versandkostenfrei artikel erhalten sofort per download lieferbar

die anordnungen des arztes liebesroman gerettet v pdf - Sep 25 2022

web die anordnungen des arztes liebesroman gerettet v is available in our digital library an online access to it is set as public so you can get it instantly the die anordnungen des arztes liebesroman gerettet v is universally compatible with any devices to read der lloyd 1851 a stroll to syracuse johann gottfried seume 1964 allgemeine

die anordnungen des arztes liebesroman gerettet v 2023 - Jul 24 2022

web das geheimnis des arztes gerettet von dem arzt kurzgeschichten karin bucha jubiläumsbox 10 liebesroman 3

liebesromane leni behrendt bestseller 5 liebesroman memoiren eines arztes roman zyklus die anordnungen des arztes

liebesroman gerettet v downloaded from textra com tw by guest muhammad

die anordnungen des arztes ein milliardär arzt liebesroman gerettet - Apr 01 2023

web die anordnungen des arztes ein milliardär arzt liebesroman gerettet von dem arzt 2 gerettet von dem arzt von jessica f
jetzt als ebook herunterladen sofort loslesen versandkostenfrei

die anordnungen des arztes by jessica f overdrive - Feb 28 2023

web feb 20 2020 die anordnungen des arztes ebook mid ein milliardär arzt liebesroman gerettet von dem arzt 2 gerettet von dem arzt by jessica f

the love surgeon a story of trust harm and the limits of - Aug 25 2022

web jul 17 2020 the love surgeon is an important riveting story that has great relevance to contemporary issues in medical ethics and science policy rodriguez has drawn on a broad range of sources to create a lively and engaging book

die anordnungen des arztes ein milliardar arzt liebesroman gerettet - Oct 07 2023

web die anordnungen des arztes ein milliardar arzt liebesroman gerettet von dem arzt 2 ebook fox jessica amazon de kindle shop

arztroman roman wikipedia - Apr 20 2022

web arztroman ist ein roman des isländisch deutschen schriftstellers kristof magnusson der roman erschien im august 2014 im münchen verlag antje kunstmann wie auch das hörbuch zu dem roman gelesen von der schauspielerin und medizinerin christiane paul diese seite wurde zuletzt am 13 august 2023 um 11 45 uhr bearbeitet

die anordnungen des arztes ein milliardär arzt liebesroman - Sep 06 2023

web rakuten kobo dan jessica f tarafından die anordnungen des arztes ein milliardär arzt liebesroman gerettet von dem arzt 2 kitabını okuyun ich bin der arzt vor dem man dich gewarnt hat und ich habe das heilmittel um jedes verlangen deines körpers zu stille

das geheimnis des arztes ein milliardär arzt liebesroman gerettet - Jun 03 2023

web das geheimnis des arztes ein milliardär arzt liebesroman gerettet von dem arzt 1 ebook fox jessica amazon de kindle shop

die anordnungen des arztes liebesroman gerettet v - Oct 27 2022

web die anordnungen des arztes leni behrendt nr 8 durch gewitter und sturm cordulas vermächtnis es kam das glück das ohne reu karin bucha jubiläumsbox 10 liebesroman leni behrendt bestseller 5 liebesroman die beliebtesten liebesromane der weltliteratur 15 klassiker in einem buch leni behrendt bestseller 8 liebesroman

die anordnungen des arztes liebesroman gerettet v 2023 - May 22 2022

web kindly say the die anordnungen des arztes liebesroman gerettet v is universally compatible with any devices to read

fremden blatt 1870 history of the latin and teutonic nations from 1494 to 1514 leopold von ranke 1887 deutsche roman zeitung 1872 beilage zur allgemeinen zeitung 1900 der freie landesbote 1877 Über land und

die anordnungen des arztes ein milliardar arzt liebesroman gerettet - Jan 30 2023

web abebooks com die anordnungen des arztes ein milliardar arzt liebesroman gerettet von dem arzt german edition 9781648089282 by fox jessica and a great selection of similar new used and collectible books available now at great prices

die anordnungen des arztes liebesroman gerettet v - Mar 20 2022

web karin bucha staffel 1 liebesroman die anordnungen des arztes 3 liebesromane erika roman jubiläumsbox 1 liebesroman leni behrendt jubiläumsbox 9 liebesroman die beliebtesten liebesromane geschichten von elisabeth bürstenbinder fernande leni behrendt staffel 3 liebesroman die anordnungen des arztes

die anordnungen des arztes liebesroman gerettet v 2023 - Jun 22 2022

web 2 die anordnungen des arztes liebesroman gerettet v 2023 08 11 die anordnungen des arztes liebesroman gerettet v downloaded from implantes odontocompany com by guest good beatrice kelter media mein letztes studienjahr an der medizinischen fakultät war ihretwegen das beste jahr das ich je hatte sie veränderte meine zukunft

die anordnungen des arztes ein milliardär arzt liebesroman - May 02 2023

web gerettet von dem arzt 2 die anordnungen des arztes ein milliardär arzt liebesroman jessica f jessica fox des milliers de livres avec la livraison chez vous en 1 jour ou en magasin avec 5 de réduction

die anordnungen des arztes ein milliardar arzt liebesroman gerettet - Aug 05 2023

web die anordnungen des arztes ein milliardar arzt liebesroman gerettet von dem arzt band 2 fox jessica isbn 9781648080104 kostenloser versand für alle bücher mit versand und verkauf duch amazon

all past hl and sl ib essay questions collected from past papers - Jan 05 2022

dp economics paper 3 style questions hl only - Jan 17 2023

web without the prior written permission from the ib additionally the license tied with this economy in the long run if the government reduces the rate of corporate income tax

diploma sample exam papers international - Nov 15 2022

web apr 14 2022 ib economics hl paper 2 1 hour 45 minutes ib economics hl paper 3 1 hour 45 minutes to obtain one sense of what you ll be expected to do in this time

may 2022 economics higher level paper 3 archive org - Oct 14 2022

web ib economics hl past papers 2021 onwards hi does anyone have the past papers for economics hl p1 p2 p2 for years 2021 2022 and specimen papers of 2023

ib economics notes questions curious education - Apr 08 2022

web aug 17 2016 i collect past ib essay p1 questions sorted by exam period and by syllabus section to help my students prepare for school and final may exams i have also been

economics ib past papers 2021 get ib past papers - Sep 13 2022

web calculators are permitted for this paper this makes up for 30 of your ib economics grade for hl and 40 of your ib economics grade for sl paper 3 only hl finally

economics sl hl ib made easy - May 09 2022

web sep 12 2023 download all ib past papers 2021 pdf hl higher level and sl standard level ib past papers and marking schemes download 27 august getib 0 56 523

ib past papers questions by topic save my exams - Nov 03 2021

overview ib economics hl sl first assessment 2022 iblieve - Jun 10 2022

web in the ib past papers sections for each course you will find full worked solutions to the questions asked on previous ib math ai hl ib math aa hl ib math aa sl ib math ai

2021 past papers get ib past papers - Feb 06 2022

web choose your exam board hl dp sl we know when you take the ib diploma you have a lot of subjects to revise for ahead of exam season and time is of the essence with our

every ib economics past paper available free and official ib - Dec 16 2022

web mar 28 2022 economics ib past papers 2021 getib march 28 2022 last updated march 28 2022 0 0 1 minute read download economics ib past papers 2021 pdf

every ib economics past paper accessible free and official - Jul 23 2023

web into this guide we ll familiarize you with the ib economics assessment updates and leasing you know where to find past papers both clear and paid we ll including give it tips on

every ib economics past paper available free and official - Aug 12 2022

web they guide your logical thinking and help you understand and explain the theories ib made easy has some very resouceful documents for both sl hl economics including

10 mark paper 1 sample answer for ib economics hl tom furber - Jun 22 2023

web hl ib economics tools to help you ace your exams including past papers revision notes and exam style questions organised by topic

ib past papers may 2022 international - Feb 18 2023

web apr 14 2022 [ib economics sl ib economics sl paper 1 1 moment 15 minutes ib business sl paper 2 1 hour 45 minutes ib economics hl ib economics hl paper](#)

[every ib economics past paper available free and](#) - Aug 24 2023

web where to find official free ib economics past papers in recent years the ibo has cracked down on past papers illegally uploaded outside of the ibo store which means

ib past papers revision village - Mar 07 2022

web ib economics hl find resources which includes sample papers sample ias samples ees distributed among 128 files which will act as your secret weapon to ace your ib

[economics for the ib diploma answering paper 2 questions](#) - Mar 19 2023

web sep 24 2023 each question is marked out of 30 and include a policy response question to reflect the new syllabus requirements paper 3 question on market equilibrium hl

ib economics hl notes updated 2023 nail ib - Dec 04 2021

ib economics hl past papers 2021 onwards r ibo reddit - Jul 11 2022

web ib economics notes questions we have summarised the economic concepts from the ib economics syllabus and linked our ib economics notes and questions to key topics

ib economics hl revision village - Apr 20 2023

web assessment advice the paper 2 examination paper 2 at a glance the data response paper the paper 2 examination is an externally examined component taken by all dp

hl ib economics 2022 save my exams - May 21 2023

web best ib economics resource in 2023 ib economics hl higher level questionbank practice exams past paper video solutions key concepts summary videos