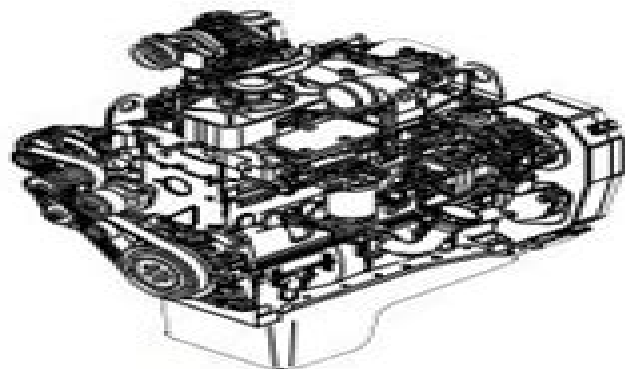


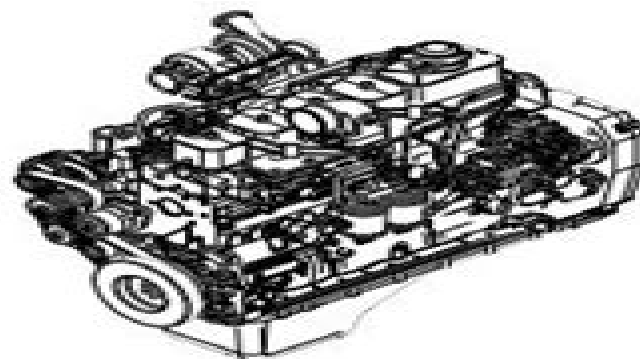
---

# REPAIR MANUAL FOR ENGINES

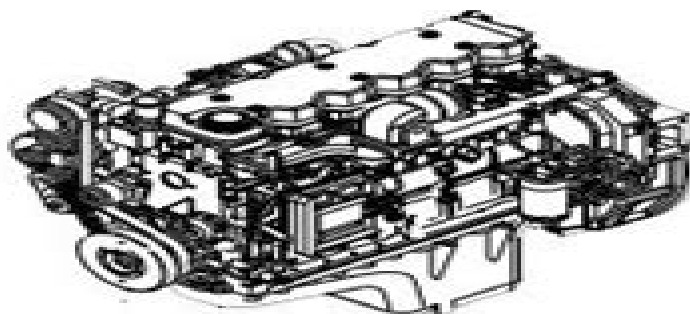
## F4GE0484E - F4GE0684F - F4HE0684J



F4GE0484E



F4GE0684F



F4HE0684J

*Every information, illustration and specification contained in the present manual is based on the most recent information available at the time of printing.*

*CNH France S.A. reserves the right, to modify the text at any time without prior communication.*

# Iveco Engine Manual

**S Ben Porath**



## **Iveco Engine Manual:**

Right here, we have countless ebook **Iveco Engine Manual** and collections to check out. We additionally have enough money variant types and furthermore type of the books to browse. The welcome book, fiction, history, novel, scientific research, as capably as various supplementary sorts of books are readily reachable here.

As this Iveco Engine Manual, it ends up swine one of the favored book Iveco Engine Manual collections that we have. This is why you remain in the best website to see the amazing books to have.

[https://staging.conocer.cide.edu/About/publication/default.aspx/Fluid\\_Mechanics\\_Anna\\_University\\_Question\\_Paper.pdf](https://staging.conocer.cide.edu/About/publication/default.aspx/Fluid_Mechanics_Anna_University_Question_Paper.pdf)

## **Table of Contents Iveco Engine Manual**

1. Understanding the eBook Iveco Engine Manual
  - The Rise of Digital Reading Iveco Engine Manual
  - Advantages of eBooks Over Traditional Books
2. Identifying Iveco Engine Manual
  - Exploring Different Genres
  - Considering Fiction vs. Non-Fiction
  - Determining Your Reading Goals
3. Choosing the Right eBook Platform
  - Popular eBook Platforms
  - Features to Look for in an Iveco Engine Manual
  - User-Friendly Interface
4. Exploring eBook Recommendations from Iveco Engine Manual
  - Personalized Recommendations
  - Iveco Engine Manual User Reviews and Ratings
  - Iveco Engine Manual and Bestseller Lists
5. Accessing Iveco Engine Manual Free and Paid eBooks
  - Iveco Engine Manual Public Domain eBooks

- Iveco Engine Manual eBook Subscription Services
- Iveco Engine Manual Budget-Friendly Options
- 6. Navigating Iveco Engine Manual eBook Formats
  - ePub, PDF, MOBI, and More
  - Iveco Engine Manual Compatibility with Devices
  - Iveco Engine Manual Enhanced eBook Features
- 7. Enhancing Your Reading Experience
  - Adjustable Fonts and Text Sizes of Iveco Engine Manual
  - Highlighting and Note-Taking Iveco Engine Manual
  - Interactive Elements Iveco Engine Manual
- 8. Staying Engaged with Iveco Engine Manual
  - Joining Online Reading Communities
  - Participating in Virtual Book Clubs
  - Following Authors and Publishers Iveco Engine Manual
- 9. Balancing eBooks and Physical Books Iveco Engine Manual
  - Benefits of a Digital Library
  - Creating a Diverse Reading Collection Iveco Engine Manual
- 10. Overcoming Reading Challenges
  - Dealing with Digital Eye Strain
  - Minimizing Distractions
  - Managing Screen Time
- 11. Cultivating a Reading Routine Iveco Engine Manual
  - Setting Reading Goals Iveco Engine Manual
  - Carving Out Dedicated Reading Time
- 12. Sourcing Reliable Information of Iveco Engine Manual
  - Fact-Checking eBook Content of Iveco Engine Manual
  - Distinguishing Credible Sources
- 13. Promoting Lifelong Learning
  - Utilizing eBooks for Skill Development
  - Exploring Educational eBooks

## 14. Embracing eBook Trends

- Integration of Multimedia Elements
- Interactive and Gamified eBooks

### **Iveco Engine Manual Introduction**

In this digital age, the convenience of accessing information at our fingertips has become a necessity. Whether its research papers, eBooks, or user manuals, PDF files have become the preferred format for sharing and reading documents. However, the cost associated with purchasing PDF files can sometimes be a barrier for many individuals and organizations. Thankfully, there are numerous websites and platforms that allow users to download free PDF files legally. In this article, we will explore some of the best platforms to download free PDFs. One of the most popular platforms to download free PDF files is Project Gutenberg. This online library offers over 60,000 free eBooks that are in the public domain. From classic literature to historical documents, Project Gutenberg provides a wide range of PDF files that can be downloaded and enjoyed on various devices. The website is user-friendly and allows users to search for specific titles or browse through different categories. Another reliable platform for downloading Iveco Engine Manual free PDF files is Open Library. With its vast collection of over 1 million eBooks, Open Library has something for every reader. The website offers a seamless experience by providing options to borrow or download PDF files. Users simply need to create a free account to access this treasure trove of knowledge. Open Library also allows users to contribute by uploading and sharing their own PDF files, making it a collaborative platform for book enthusiasts. For those interested in academic resources, there are websites dedicated to providing free PDFs of research papers and scientific articles. One such website is Academia.edu, which allows researchers and scholars to share their work with a global audience. Users can download PDF files of research papers, theses, and dissertations covering a wide range of subjects. Academia.edu also provides a platform for discussions and networking within the academic community. When it comes to downloading Iveco Engine Manual free PDF files of magazines, brochures, and catalogs, Issuu is a popular choice. This digital publishing platform hosts a vast collection of publications from around the world. Users can search for specific titles or explore various categories and genres. Issuu offers a seamless reading experience with its user-friendly interface and allows users to download PDF files for offline reading. Apart from dedicated platforms, search engines also play a crucial role in finding free PDF files. Google, for instance, has an advanced search feature that allows users to filter results by file type. By specifying the file type as "PDF," users can find websites that offer free PDF downloads on a specific topic. While downloading Iveco Engine Manual free PDF files is convenient, its important to note that copyright laws must be respected. Always ensure that the PDF files you download are legally available for free. Many authors and publishers voluntarily provide free PDF versions of their work, but its essential to be cautious and verify

the authenticity of the source before downloading Iveco Engine Manual. In conclusion, the internet offers numerous platforms and websites that allow users to download free PDF files legally. Whether its classic literature, research papers, or magazines, there is something for everyone. The platforms mentioned in this article, such as Project Gutenberg, Open Library, Academia.edu, and Issuu, provide access to a vast collection of PDF files. However, users should always be cautious and verify the legality of the source before downloading Iveco Engine Manual any PDF files. With these platforms, the world of PDF downloads is just a click away.

### **FAQs About Iveco Engine Manual Books**

How do I know which eBook platform is the best for me? Finding the best eBook platform depends on your reading preferences and device compatibility. Research different platforms, read user reviews, and explore their features before making a choice. Are free eBooks of good quality? Yes, many reputable platforms offer high-quality free eBooks, including classics and public domain works. However, make sure to verify the source to ensure the eBook credibility. Can I read eBooks without an eReader? Absolutely! Most eBook platforms offer webbased readers or mobile apps that allow you to read eBooks on your computer, tablet, or smartphone. How do I avoid digital eye strain while reading eBooks? To prevent digital eye strain, take regular breaks, adjust the font size and background color, and ensure proper lighting while reading eBooks. What the advantage of interactive eBooks? Interactive eBooks incorporate multimedia elements, quizzes, and activities, enhancing the reader engagement and providing a more immersive learning experience. Iveco Engine Manual is one of the best book in our library for free trial. We provide copy of Iveco Engine Manual in digital format, so the resources that you find are reliable. There are also many Ebooks of related with Iveco Engine Manual. Where to download Iveco Engine Manual online for free? Are you looking for Iveco Engine Manual PDF? This is definitely going to save you time and cash in something you should think about. If you trying to find then search around for online. Without a doubt there are numerous these available and many of them have the freedom. However without doubt you receive whatever you purchase. An alternate way to get ideas is always to check another Iveco Engine Manual. This method for see exactly what may be included and adopt these ideas to your book. This site will almost certainly help you save time and effort, money and stress. If you are looking for free books then you really should consider finding to assist you try this. Several of Iveco Engine Manual are for sale to free while some are payable. If you arent sure if the books you would like to download works with for usage along with your computer, it is possible to download free trials. The free guides make it easy for someone to free access online library for download books to your device. You can get free download on free trial for lots of books categories. Our library is the biggest of these that have literally hundreds of thousands of different products categories represented. You will also see that there

are specific sites catered to different product types or categories, brands or niches related with Iveco Engine Manual. So depending on what exactly you are searching, you will be able to choose e books to suit your own need. Need to access completely for Campbell Biology Seventh Edition book? Access Ebook without any digging. And by having access to our ebook online or by storing it on your computer, you have convenient answers with Iveco Engine Manual To get started finding Iveco Engine Manual, you are right to find our website which has a comprehensive collection of books online. Our library is the biggest of these that have literally hundreds of thousands of different products represented. You will also see that there are specific sites catered to different categories or niches related with Iveco Engine Manual So depending on what exactly you are searching, you will be able to choose ebook to suit your own need. Thank you for reading Iveco Engine Manual. Maybe you have knowledge that, people have search numerous times for their favorite readings like this Iveco Engine Manual, but end up in harmful downloads. Rather than reading a good book with a cup of coffee in the afternoon, instead they juggled with some harmful bugs inside their laptop. Iveco Engine Manual is available in our book collection an online access to it is set as public so you can download it instantly. Our digital library spans in multiple locations, allowing you to get the most less latency time to download any of our books like this one. Merely said, Iveco Engine Manual is universally compatible with any devices to read.

### **Find Iveco Engine Manual :**

[fluid mechanics anna university question paper](#)

**flash csmotion guide tutorial**

*flstn maintenance manual*

[flow harper perennial modern classics](#)

**flat screen tv repair vizio**

*flash mx motion guide tutorial*

~~floyd laboratory exercises for electronic 8 solution~~

~~fluid mechanics fundamentals and applications solutions manual 2nd edition~~

**florida eoc civics study guide**

**florida real estate exam manual linda crawford**

[flexible girls sex pictures sexy photo book erotic photography uncensored](#)

~~fleetwood bounder service manual~~

~~floor manual part scrubbers~~

[flhs service manual](#)



[fleetwood prowler trailer owners manual parts](#)

### **Iveco Engine Manual :**

Advanced Engineering Thermodynamics If this book refers to media such as a CD or DVD that is not included in the version you purchased, you may download this material at [www.wiley.com/go/](http://www.wiley.com/go/). Advanced Engineering Thermodynamics Sep 12, 2016 – ADRIAN BEJAN is the J.A. Jones Distinguished Professor of Mechanical Engineering at Duke University, and an internationally-recognized ... Advanced Engineering Thermodynamics, 4th Edition Advanced Engineering Thermodynamics, 4th Edition. Adrian Bejan. ISBN: 978-1 ... Download Product Flyer is to download PDF in new tab. This is a dummy ... Adrian Bejan Advanced Engineering Thermodynamics 3rd ... Adrian Bejan Advanced Engineering Thermodynamics 3rd Edition Solution Manual ( ... Download PDF. See Full PDF Download PDF. Loading... Loading Preview. Sorry ... Advanced Engineering Thermodynamics - Adrian Bejan This practical approach describes real-world applications of thermodynamics concepts, including solar energy, refrigeration, air conditioning, thermofluid ... Advanced Engineering Thermodynamics Advanced Engineering Thermodynamics - Kindle edition by Bejan, Adrian. Download it once and read it on your Kindle device, PC, phones or tablets. Advanced Engineering Thermodynamics | Z-Library Adrian Bejan. 5.0 / 5.0. 0 comments. An advanced, practical approach to the first and second laws of thermodynamics Advanced Engineering Thermodynamics bridges ... Advanced Engineering Thermodynamics: Bejan, Adrian A brand-new, thought-provoking edition of the unmatched resource on engineering thermodynamics. Adrian Bejan's Advanced Engineering Thermodynamics ... Advanced Engineering Thermodynamic 3 Ed. - Adrian ... ADVANCED ENGINEERING THERMODYNAMIC 3<sup>a</sup> ED. - ADRIAN BEJAN.pdf - Free ebook download as PDF File (.pdf) or read book online for free. Adrian Bejan Advanced Engineering Thermodynamics, Second Edition, Wiley, 1997, 888 pages. ... Bejan, Adrian, 1948-. Convection heat transfer / Adrian Bejan. p. cm. Includes ... CATERPILLAR 3306 GENERATOR SET PARTS MANUAL CATERPILLAR 3306 GENERATOR SET PARTS MANUAL. Caterpillar 3306 Engine Parts Manual THIS IS A MANUAL PRODUCED BY JENSALES INC. WITHOUT THE AUTHORIZATION OF · CATERPILLAR OR IT'S SUCCESSORS. CATERPILLAR AND IT'S SUCCESSORS · ARE NOT RESPONSIBLE ... Caterpillar 3306 Engine Parts Manual (HTCT-PENG3306G) Our Parts Manuals contains exploded views of your entire tractor or machine with parts listings and part numbers. This manual will never let you order ... Parts Manual 3306 Generator | PDF CATERPILLAR a Parts Manual 3306 Engine Generator Set i sz. enn SCA5985-Up ... Parts for these generators are NOT serviced by Caterpillar inc. Parts lists and ... CAT Caterpillar 3306 PARTS MANUAL BOOK CATALOG ... CAT Caterpillar 3306 PARTS MANUAL BOOK CATALOG ENGINE GENERATOR SET 66D49919 &UP ; Quantity. 2 available ; Item Number. 394011087287 ; Model. 3306 ; Country/Region ... Caterpillar 3306 Engine 66D26832-Up Parts Manual Book ... Caterpillar 3306 Engine 66D26832-Up Parts Manual Book 5CA 5DA 5EA 5FA Generators. Caterpillar 3306B Rental

Generator Set Engine Parts ... Caterpillar 3306B Rental Generator Set Engine Parts Manual 8JJ1-up · Description · Reviews · Related products · Caterpillar 815 Compactor Parts Manual 91P1102. 3306 ENGINE - MACHINE Caterpillar parts catalog SIS ... Machinery model 3306 60Z: · 120B MOTOR GRADER 32C00100-UP (MACHINE) POWERED BY 3306 ENGINE · 140B MOTOR GRADER 33C00100-UP (MACHINE) POWERED BY 3306 ENGINE. Caterpillar CAT 3306 Industrial Engine Parts Manual ... Genuine OEM Caterpillar CAT 3306 Industrial Engine Parts Manual SEBP1200. ... (generator) 400 pages. This item is surplus stock, it may or may not have original ... Caterpillar CAT 3306 Industrial Engine Parts Manual ... Caterpillar CAT 3306 Industrial Engine Parts Manual SEBP1989 ... Caterpillar Operation & Maintenance Manual 3304 and 3306 Industrial and Generator Set Engines ... Holt Lifetime Health Teacher Edition by Friedman, David P. Holt Lifetime Health Teacher Edition · Book overview. Great book for high school health. Holt Lifetime Health: Teacher's Edition (2009 Copyright) ISBN: 9780030962202 - Teacher's Edition - Hardcover - Holt, Rinehart And Winston - 2009 - Condition: Very Good - No Jacket - Very Good, Clean And Unmarked ... Lifetime Health, Holt California Teacher Edition - Books Book details · Print length. 0 pages · Language. English · Publisher. Holt · Publication date. January 1, 2004 · ISBN-10. 0030382769 · ISBN-13. 978-0030382765. Lifetime Health - Teacher's Edition by HOLT RINEHART ... Published in 2009, this widely popular book has proven to serve its audience well, based on the abundance of positive reviews it has received by its readers. Lifetime Health: Teacher Edition - Hardcover Lifetime Health: Teacher Edition by Holt, Rinehart, And Winston, Inc. - ISBN 10: 003096220X - ISBN 13: 9780030962202 - HOLT, RINEHART AND WINSTON - 2009 ... 9780030646164: Holt Lifetime Health Teacher Edition The Holt Lifetime Health Teacher Edition book is in very low demand now as the rank for the book is 829,339 at the moment. It's a very low rank, and the book ... Lifetime Health - by Holt, Rinehart, and Winston, Inc. Buy a cheap copy of Lifetime Health Teacher's Edition 2009 book by Holt, Rinehart, and Winston, Inc.. Free Shipping on all orders over \$15. Lifetime Health: Teacher Edition 2009 Holt Lifetime Health -- Teacher's Edition (Hardcover)(11.5"x9.35"x1.15") by David P. Friedman, Curtis C. Stine & Shannon Whalen \*\*\* 9780030962202 ... Holt Lifetime Health: Teacher's Edition A book that has been read but is in good condition. Very minimal damage to the cover including scuff marks, but no holes or tears. health Teacher Edition. Development. Sandra Alters, Ph.D. Science and Health Writer. Montreal ... Your Road Map for Success with Lifetime Health. Read the Objectives.