



Dishwashers

Safety Instructions 2-3

Operating Instructions

Care and Cleaning 11

Getting Started 4-5

Loading and Place Settings 8-9

Loading the silverware baskets 10

Using the Dishwasher 6-7

Troubleshooting Tips 12-14

Consumer Support

Consumer Support 16

Warranty 15

Owner's Manual

Dishwashers
ADT520 Series
GDF510-540 Series
GDT530-550 Series

Lave-vaisselle

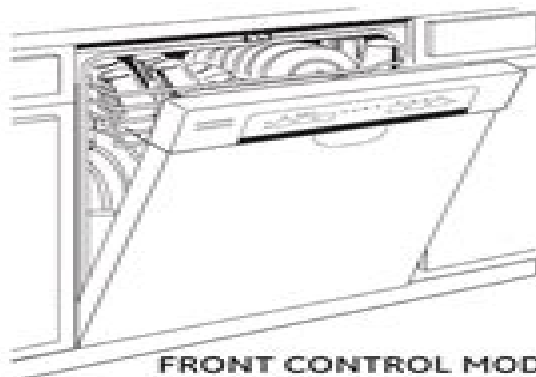
Manuel d'utilisation

La section française commence à la page 17

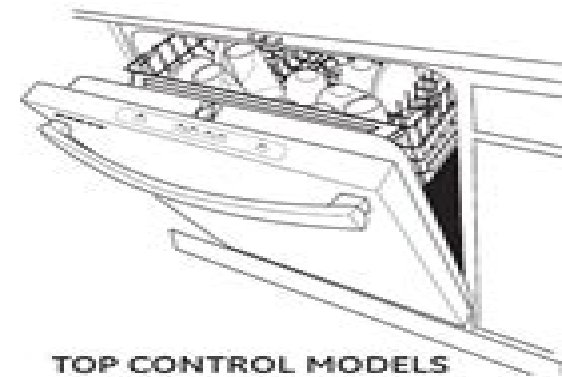
Lavaplatos

Manual del propietario

La sección en español empieza en la página 33



FRONT CONTROL MODELS



TOP CONTROL MODELS

Write the model and serial numbers here:

Model # _____

Serial # _____

You can find them on the tub wall just inside the door.

General Electric Manual Dishwasher

Paul Sahre



General Electric Manual Dishwasher:

Step-by-step Dishwasher Repair Manual General Electric Company,1990 Popular Mechanics ,1982-01 Popular Mechanics inspires instructs and influences readers to help them master the modern world Whether it s practical DIY home improvement tips gadgets and digital technology information on the newest cars or the latest breakthroughs in science PM is the ultimate guide to our high tech lifestyle **Popular Mechanics** ,1985-01 Popular Mechanics inspires instructs and influences readers to help them master the modern world Whether it s practical DIY home improvement tips gadgets and digital technology information on the newest cars or the latest breakthroughs in science PM is the ultimate guide to our high tech lifestyle Catalog of Copyright Entries. Third Series Library of Congress. Copyright Office,1964 Includes Part 1 Number 2 Books and Pamphlets Including Serials and Contributions to Periodicals July December Distributive Education Instructional Materials Ohio State University. Center for Vocational and Technical Education,1972 Leisurama Now Paul Sahre,2008-03-20 In the early 1960s a second home at the beach was a snap even for the working class For as little as 590 down and 73 month you could walk into Macy s and leave with a fully furnished house Paul Sahre uncovers the mystery of this legendary slice of architectural Americana Distributive Education from AIM, 1967-1971 United States. Office of Education,1972 **Popular Mechanics** ,1988-01 Popular Mechanics inspires instructs and influences readers to help them master the modern world Whether it s practical DIY home improvement tips gadgets and digital technology information on the newest cars or the latest breakthroughs in science PM is the ultimate guide to our high tech lifestyle *Blimp Pilot Terrorizes Akron (And Other Hot Air)* Bob Dyer,2013-11-01 Here s Akron with attitude A giant cockroach ticket happy traffic cops sexting teens bumbling politicians prima donna sports stars There are few topics that Akron Beacon Journal columnist Bob Dyer hasn t tackled head on His biting commentary has earned him followers and foes alike along with a boatload of awards In this collection of his best writing Dyer nearly crashes the Goodyear blimp drag races in a 64 Plymouth Barracuda drives a 126 ton locomotive panhandles on a downtown street corner surveys the Great Wall of Fairlawn dispenses unsolicited advice to LeBron James and generally waves a red flag at political correctness Great fun to read as long as you re not overly sensitive **House Beautiful's Maintenance & Postwar Building Manual** ,1949 **Official Gazette of the United States Patent Office** United States. Patent Office,1974 *Automated Inspection and Quality Assurance* Stanley L. Robinson,Richard Kendall Miller,2017-11-22 New concepts for gaging inspection checking machine vision and robotic testing Includes guidelines for installing complex electronic and computerized systems and a directory of commercially availalbe computer software as well as distributors names and addresses Annotation copyright Book News *Electrical Review* ,1920 **New York Review of the Telegraph and Telephone and Electrical Journal** ,1920 *Popular Science* ,1980-06 Popular Science gives our readers the information and tools to improve their technology and their world The core belief that Popular Science and our readers share The future is going to be better and science and technology are the driving forces that

will help make it better Dishwasher Repair Douglas Emley,2005-12-03 How you can fix the most common problems with the most common dishwashers including Whirlpool Kenmore GE Hotpoint JCPenney Maytag Frigidaire Norge Gibson Kelvinator Westinghouse Montgomery Ward Signature Thermadore Waste King and many many more Cover

Encyclopedia of Kitchen History Mary Ellen Snodgrass,2004-12-29 First published in 2005 Routledge is an imprint of Taylor Francis an informa company *GE/Hotpoint Washer Repair* Douglas Emley,2004 How YOU can fix the most common problems with a GE Hotpoint or JC Penney washing machine including old style and the new front access models

Industry 4.0 for Electrical Engineers Mr. Rohit Manglik,2024-03-04 EduGorilla Publication is a trusted name in the education sector committed to empowering learners with high quality study materials and resources Specializing in competitive exams and academic support EduGorilla provides comprehensive and well structured content tailored to meet the needs of students across various streams and levels **Popular Science** ,1980-12 Popular Science gives our readers the information and tools to improve their technology and their world The core belief that Popular Science and our readers share The future is going to be better and science and technology are the driving forces that will help make it better

Enjoying the Song of Term: An Psychological Symphony within **General Electric Manual Dishwasher**

In some sort of taken by screens and the ceaseless chatter of quick interaction, the melodic splendor and mental symphony developed by the published term frequently fade into the background, eclipsed by the relentless sound and interruptions that permeate our lives. Nevertheless, nestled within the pages of **General Electric Manual Dishwasher** an enchanting literary prize filled with natural feelings, lies an immersive symphony waiting to be embraced. Crafted by an outstanding musician of language, this charming masterpiece conducts visitors on an emotional trip, well unraveling the hidden songs and profound influence resonating within each carefully constructed phrase. Within the depths of the emotional assessment, we can discover the book is key harmonies, analyze their enthralling publishing style, and surrender ourselves to the profound resonance that echoes in the depths of readers souls.

https://staging.conocer.cide.edu/data/detail/fetch.php/miami_le_design_district_et_wynwood.pdf

Table of Contents General Electric Manual Dishwasher

1. Understanding the eBook General Electric Manual Dishwasher
 - The Rise of Digital Reading General Electric Manual Dishwasher
 - Advantages of eBooks Over Traditional Books
2. Identifying General Electric Manual Dishwasher
 - Exploring Different Genres
 - Considering Fiction vs. Non-Fiction
 - Determining Your Reading Goals
3. Choosing the Right eBook Platform
 - Popular eBook Platforms
 - Features to Look for in an General Electric Manual Dishwasher
 - User-Friendly Interface
4. Exploring eBook Recommendations from General Electric Manual Dishwasher
 - Personalized Recommendations

- General Electric Manual Dishwasher User Reviews and Ratings
- General Electric Manual Dishwasher and Bestseller Lists
- 5. Accessing General Electric Manual Dishwasher Free and Paid eBooks
 - General Electric Manual Dishwasher Public Domain eBooks
 - General Electric Manual Dishwasher eBook Subscription Services
 - General Electric Manual Dishwasher Budget-Friendly Options
- 6. Navigating General Electric Manual Dishwasher eBook Formats
 - ePub, PDF, MOBI, and More
 - General Electric Manual Dishwasher Compatibility with Devices
 - General Electric Manual Dishwasher Enhanced eBook Features
- 7. Enhancing Your Reading Experience
 - Adjustable Fonts and Text Sizes of General Electric Manual Dishwasher
 - Highlighting and Note-Taking General Electric Manual Dishwasher
 - Interactive Elements General Electric Manual Dishwasher
- 8. Staying Engaged with General Electric Manual Dishwasher
 - Joining Online Reading Communities
 - Participating in Virtual Book Clubs
 - Following Authors and Publishers General Electric Manual Dishwasher
- 9. Balancing eBooks and Physical Books General Electric Manual Dishwasher
 - Benefits of a Digital Library
 - Creating a Diverse Reading Collection General Electric Manual Dishwasher
- 10. Overcoming Reading Challenges
 - Dealing with Digital Eye Strain
 - Minimizing Distractions
 - Managing Screen Time
- 11. Cultivating a Reading Routine General Electric Manual Dishwasher
 - Setting Reading Goals General Electric Manual Dishwasher
 - Carving Out Dedicated Reading Time
- 12. Sourcing Reliable Information of General Electric Manual Dishwasher
 - Fact-Checking eBook Content of General Electric Manual Dishwasher

- Distinguishing Credible Sources
- 13. Promoting Lifelong Learning
 - Utilizing eBooks for Skill Development
 - Exploring Educational eBooks
- 14. Embracing eBook Trends
 - Integration of Multimedia Elements
 - Interactive and Gamified eBooks

General Electric Manual Dishwasher Introduction

In the digital age, access to information has become easier than ever before. The ability to download General Electric Manual Dishwasher has revolutionized the way we consume written content. Whether you are a student looking for course material, an avid reader searching for your next favorite book, or a professional seeking research papers, the option to download General Electric Manual Dishwasher has opened up a world of possibilities. Downloading General Electric Manual Dishwasher provides numerous advantages over physical copies of books and documents. Firstly, it is incredibly convenient. Gone are the days of carrying around heavy textbooks or bulky folders filled with papers. With the click of a button, you can gain immediate access to valuable resources on any device. This convenience allows for efficient studying, researching, and reading on the go. Moreover, the cost-effective nature of downloading General Electric Manual Dishwasher has democratized knowledge. Traditional books and academic journals can be expensive, making it difficult for individuals with limited financial resources to access information. By offering free PDF downloads, publishers and authors are enabling a wider audience to benefit from their work. This inclusivity promotes equal opportunities for learning and personal growth. There are numerous websites and platforms where individuals can download General Electric Manual Dishwasher. These websites range from academic databases offering research papers and journals to online libraries with an expansive collection of books from various genres. Many authors and publishers also upload their work to specific websites, granting readers access to their content without any charge. These platforms not only provide access to existing literature but also serve as an excellent platform for undiscovered authors to share their work with the world. However, it is essential to be cautious while downloading General Electric Manual Dishwasher. Some websites may offer pirated or illegally obtained copies of copyrighted material. Engaging in such activities not only violates copyright laws but also undermines the efforts of authors, publishers, and researchers. To ensure ethical downloading, it is advisable to utilize reputable websites that prioritize the legal distribution of content. When downloading General Electric Manual Dishwasher, users should also consider the potential security risks associated with online platforms. Malicious actors may exploit vulnerabilities in unprotected websites

to distribute malware or steal personal information. To protect themselves, individuals should ensure their devices have reliable antivirus software installed and validate the legitimacy of the websites they are downloading from. In conclusion, the ability to download General Electric Manual Dishwasher has transformed the way we access information. With the convenience, cost-effectiveness, and accessibility it offers, free PDF downloads have become a popular choice for students, researchers, and book lovers worldwide. However, it is crucial to engage in ethical downloading practices and prioritize personal security when utilizing online platforms. By doing so, individuals can make the most of the vast array of free PDF resources available and embark on a journey of continuous learning and intellectual growth.

FAQs About General Electric Manual Dishwasher Books

1. Where can I buy General Electric Manual Dishwasher books? Bookstores: Physical bookstores like Barnes & Noble, Waterstones, and independent local stores. Online Retailers: Amazon, Book Depository, and various online bookstores offer a wide range of books in physical and digital formats.
2. What are the different book formats available? Hardcover: Sturdy and durable, usually more expensive. Paperback: Cheaper, lighter, and more portable than hardcovers. E-books: Digital books available for e-readers like Kindle or software like Apple Books, Kindle, and Google Play Books.
3. How do I choose a General Electric Manual Dishwasher book to read? Genres: Consider the genre you enjoy (fiction, non-fiction, mystery, sci-fi, etc.). Recommendations: Ask friends, join book clubs, or explore online reviews and recommendations. Author: If you like a particular author, you might enjoy more of their work.
4. How do I take care of General Electric Manual Dishwasher books? Storage: Keep them away from direct sunlight and in a dry environment. Handling: Avoid folding pages, use bookmarks, and handle them with clean hands. Cleaning: Gently dust the covers and pages occasionally.
5. Can I borrow books without buying them? Public Libraries: Local libraries offer a wide range of books for borrowing. Book Swaps: Community book exchanges or online platforms where people exchange books.
6. How can I track my reading progress or manage my book collection? Book Tracking Apps: Goodreads, LibraryThing, and Book Catalogue are popular apps for tracking your reading progress and managing book collections. Spreadsheets: You can create your own spreadsheet to track books read, ratings, and other details.
7. What are General Electric Manual Dishwasher audiobooks, and where can I find them? Audiobooks: Audio recordings of books, perfect for listening while commuting or multitasking. Platforms: Audible, LibriVox, and Google Play Books

- offer a wide selection of audiobooks.
8. How do I support authors or the book industry? Buy Books: Purchase books from authors or independent bookstores. Reviews: Leave reviews on platforms like Goodreads or Amazon. Promotion: Share your favorite books on social media or recommend them to friends.
 9. Are there book clubs or reading communities I can join? Local Clubs: Check for local book clubs in libraries or community centers. Online Communities: Platforms like Goodreads have virtual book clubs and discussion groups.
 10. Can I read General Electric Manual Dishwasher books for free? Public Domain Books: Many classic books are available for free as they're in the public domain. Free E-books: Some websites offer free e-books legally, like Project Gutenberg or Open Library.

Find General Electric Manual Dishwasher :

miami le design district et wynwood

michael artin algebra solutions manual

microeconomics concept puzzle usatestprep

micronta 22 171 user manual

microeconomics krugman 3rd edition solution manual

mg mgb mgb gt service repair manual 62 77

mh triton workshop manual

mickey mouse photo face cut out boards

micros opera hotel version 5 user manual

microm hm 325 user manual

miata 1990 ignition switch wiring schematic

micro hydro training manual by adam harvey

michele mww06p000016 watches owners manual

mice and men and study guide for

microelectronic circuits fifth edition solution manual

General Electric Manual Dishwasher :

forest forensics a field guide to reading the forested landscape - Sep 01 2022

web take some of the mystery out of a walk in the woods with this new field guide from the author of reading the forested landscape thousands of readers have had their experience of being in a forest changed forever by reading tom wessels s reading the forested landscape was this forest once farmland was it logged in the past

forest forensics a field guide to reading the forested landscape - Jul 11 2023

web forest forensics a field guide to reading the forested landscape inproceedings wessels2010forestfa title forest forensics a field guide to reading the forested landscape author tom wessels year 2010 t wessels published 20 september 2010 environmental science

forest forensics a field guide to reading the forested landscape - Nov 03 2022

web paperback 19 95 11 used from 16 38 17 new from 19 95 1 collectible from 81 95 take some of the mystery out of a walk in the woods with this new field guide from the author of reading the forested landscape thousands of readers have had their experience of being in a forest changed forever by reading tom wessels s reading the forested

forest forensics a field guide to reading the forested - Sep 13 2023

web sep 20 2010 take some of the mystery out of a walk in the woods with this new field guide from the author of reading the forested landscape thousands of readers have had their experience of being in a forest changed forever by reading tom wessels s reading the forested landscape

forest forensics tom wessels w w norton company - Apr 08 2023

web product details take some of the mystery out of a walk in the woods with this new field guide from the author of reading the forested landscape thousands of readers have had their experience of being in a forest changed forever by reading tom wessels s reading the forested landscape was this forest once farmland was it logged in the past

forest forensics a field guide to reading the forested landscape - Oct 02 2022

web preface introduction key to reading the forested landscape using the key agriculture old growth and wind logging and fire plates evidence evidence of agriculture crop fields and hay fields pasture abandonment aging primer evidence of old growth and wind tree aging primer evidence of logging and fire other

forest forensics a field guide to reading the forested landscape - Dec 04 2022

web was there ever a major catastrophe like a fire or a wind storm that brought trees down now wessels takes that wonderful ability to discern much of the history of the forest from visual clues and boils it all down to a manageable field guide that you can take out to the woods and use to start playing forest detective yourself

forest forensics a field guide to reading the forested - Mar 07 2023

web thousands of readers have had their experience of being in a forest changed forever by reading tom wessels s reading the forested landscape was this forest once farmland was it logged in the past was there ever a major catastrophe like a fire

or a wind storm that brought trees down

forest forensics a field guide to reading the forested - Apr 27 2022

web nov 10 2023 enjoy great deals on forest forensics a field guide to reading the forested landscape at bing shopping tom wessels forest forensics reading the forested landscape forest forensics a field guide to reading the forested landscape sorry this product is currently unavailable with us we don t know when or if

forest forensics a field guide to reading the forested - Aug 12 2023

web aug 24 2010 take some of the mystery out of a walk in the woods with this new field guide from the author of

forest forensics a field guide to reading the forested landscape - Oct 14 2023

web sep 20 2010 paperback 14 95 24 used from 10 18 20 new from 9 94 take some of the mystery out of a walk in the woods with this new field guide from the author of reading the forested landscape thousands of readers have had their experience of being in a forest changed forever by reading tom wessels s reading the forested landscape

forest forensics a field guide to reading the forested landscape - Feb 06 2023

web sep 20 2010 take some of the mystery out of a walk in the woods with this new field guide from the author of reading the forested landscape thousands of readers have had their experience of being in a forest changed forever by reading tom wessels s reading the forested landscape was this forest once farmland was it logged in the

forest forensics extension and outreach department of - May 29 2022

web keywords forest history reading the land iron production hot blast furnace grade level ninth through twelfth grade could be modified for college students total time required for lesson 50 minutes as one continuous time block setting forested area near old iron furnace adapted for the monroe furnace site

forest forensics a field guide to reading the forested - Jul 31 2022

web buy forest forensics a field guide to reading the forested landscape illustrated by wessels tom isbn 9780881509182 from amazon s book store everyday low prices and free delivery on eligible orders

forest forensics a field guide to reading the forested landscape - May 09 2023

web sep 20 2010 take some of the mystery out of a walk in the woods with this new field guide from the author of reading the forested landscape thousands of readers have had their experience of being in a forest changed forever by reading tom wessels s reading the forested landscape was this forest once farmland

best books on forensic science for beginners forensics digest - Feb 23 2022

web 5 forensic science a very short introduction by jim fraser written by an author with 40 years experience in forensic science working on many high profile cases this book begins at the crime scene itself explaining the principles and processes of crime scene management and drawing on his own personal experience

[forest forensics a field guide to reading the forested landscape](#) - Jan 05 2023

web sep 20 2010 take some of the mystery out of a walk in the woods with this new field guide from the author of reading the forested landscape thousands of readers have had their experience of being in a forest changed forever by reading tom wessels s reading the forested landscape

[centre for wildlife forensics national parks board](#) - Jun 29 2022

web the centre for wildlife forensics cwf is singapore s first national facility for wildlife forensics it leverages on science and technology to investigate cases of illegal wildlife trade such use of forensic science will help to identify and verify species and produce evidence that supports law enforcement and prosecution

bachelor s degrees in forensic science in singapore - Mar 27 2022

web forensic science degrees forensic science degrees are interdisciplinary studies that teach students how to collect store and objectively analyse evidence in crime labs the findings of forensic experts are used by police authorities to solve difficult cases forensic scientists work with different types of evidence including biological

forest forensics a field guide to reading the forested landscape - Jun 10 2023

web forest forensics a field guide to reading the forested landscape ebook written by tom wessels read this book using google play books app on your pc android ios devices download for offline reading highlight bookmark or take notes while you read forest forensics a field guide to reading the forested landscape

[zheng he china and the oceans in the early ming dynasty](#) - May 18 2023

web zheng he china and the oceans in the early ming dynasty 1405 1433 edward l dreyer peter stearns pearson longman 2007 biography autobiography 238 pages this new biography part of longman s world biography series of the chinese explorer zheng he sheds new light on one of the most important what if questions of early

zheng he china and the oceans in the early ming dynasty 1405 - Oct 23 2023

web written by china scholar edward l dreyer zheng he outlines what is known of the eunuch zheng he s life and describes and analyzes the early 15th century voyages on the basis of the chinese evidence

zheng he china and the oceans in the early ming dynasty 1405 1433 - Nov 12 2022

web jan 1 2006 locating the voyages firmly within the context of early ming history it addresses the political motives of zheng he s voyages and how they affected china s exclusive attitude to the outside world in subsequent centuries

[zheng he china and the oceans in the early ming dynasty 1405](#) - Sep 22 2023

web zheng he china and the oceans in the early ming dynasty 1405 1433 by dreyer edward l

zheng he china and the oceans in the early ming dy pdf - Oct 11 2022

web zheng he china and the oceans in the early ming dy on china sep 25 2021 for more than twenty years after the

communist revolution in 1949 china and most of the western world had no diplomats in each others capitals and no direct way to communicate then in july 1971

edward l dreyer zheng he china and the oceans in the early ming - Jun 19 2023

web without doubt for some of these parts dreyer was able to make use of his earlier research which already in 1982 had enabled him to publish a monograph called early ming china a political history stanford the weak side of zheng he china and the oceans concerns both the conceptual level and certain factual details

zheng he china and the oceans in the early ming dy copy - Sep 10 2022

web zheng he china and the oceans in the early ming dy local administration in ming china jan 20 2022 thomas g nimick a leading authority on ming government draws on chinese sources to provide the most detailed account of local ming government available in english rational bureaucratic administration is one of

zheng he china and the oceans in the early ming dy james - Mar 04 2022

web you could purchase guide zheng he china and the oceans in the early ming dy or get it as soon as feasible you could quickly download this zheng he china and the oceans in the early ming dy after getting deal so like you require the ebook swiftly you can straight acquire it its so completely easy and suitably fats isnt it

project muse zheng he china and the oceans in the early ming - Aug 21 2023

web zheng he china and the oceans in the early ming dynasty 1405 1433 review david andrew graff the journal of military history society for military history volume 71 number 1 january 2007 pp 213 214 10 1353 jmh 2007 0029 review

zheng he china and the oceans in the early ming dynasty 1405 1433 - Jul 20 2023

web zheng he s voyages were undertaken to force the states of southeast asia and the indian ocean to acknowledge the power and majesty of ming china and its emperor the book is structured in a straightforward manner chronologically moving from zheng he s personal biography and the background history of the voyages to the voyages themselves

zheng he china and the oceans in the early ming dynasty 1405 - Aug 09 2022

web china and the asian maritime world in the time of zheng he 1 what evidence does dreyer present to support his arguments regarding the purpose and nature of zheng he s voyages 2 describe how ships sailed the indian ocean 3 what was the nature of trade and politics in the malay indonesian region in the early fifteenth century 4

zheng he china and the oceans in the early ming dy - May 06 2022

web any of our books following this one merely said the zheng he china and the oceans in the early ming dy is universally compatible bearing in mind any devices to read east asia in the world stephan haggard 2020 10 29 this accessible collection examines twelve historic events in the international relations of east asia 1368 ali humayun

zheng he china and the oceans in the early ming dy - Apr 05 2022

web powers written by china scholar edward l dreyer zheng he outlines what is known of the eunuch zheng he s life and describes and analyzes the early 15th century voyages on the basis of the chinese evidence locating the voyages firmly within the context of early ming history it addresses the political motives of zheng he s voyages and how

zheng he china and the oceans in the early ming dynasty 1405 - Jan 14 2023

web written by china scholar edward l dreyer zheng he outlines what is known of the eunuch zheng he s life and describes and analyzes his early fifteenth century voyages on the basis of chinese evidence

zheng he china and the oceans in the early ming dynasty 1405 - Feb 15 2023

web books physical description xiv 238 p ill map 20 cm place china southeast asia title china and the oceans in the early ming dynasty 1405 1433 smithsonian libraries topic history relations record id siris sil 843382

zheng he china and the oceans in the early ming dynasty - Mar 16 2023

web may 13 2006 3 47 76 ratings 6 reviews this new biography part of longman s world biography series of the chinese explorer zheng he sheds new light on one of the most important what if questions of early modern history why a technically advanced china did not follow the same path of development as the major european powers

read free zheng he china and the oceans in the early ming dy - Jun 07 2022

web zheng he china and the oceans in the early ming dy screen of kings nov 04 2020 screen of kings is the first book in any language to examine the cultural role of the regional aristocracy relatives of the emperors in ming dynasty china 1368 1644 through an analysis of their patronage of architecture

zheng he china and the oceans in the early ming dy pdf - Jul 08 2022

web oct 28 2023 zheng he china and the zheng he chinese 1371 1433 or 1435 was a chinese mariner explorer diplomat fleet admiral and court eunuch during china s early ming dynasty

zheng he china and the oceans in the early ming dynasty 1405 1433 - Dec 13 2022

web jan 1 2007 download citation zheng he china and the oceans in the early ming dynasty 1405 1433 review the seven chinese voyages to southeast asia and the indian ocean led by the eunuch admiral zheng

zheng he china and the oceans in the early ming dynasty - Apr 17 2023

web oct 1 2007 history antiquity 2015 abstract the imperially sponsored maritime expeditions led by zheng he in the early fifteenth century ad projected ming chinese power as far as java sri lanka and the east african coast

the curse of king tut s mummy totally true adventure a d - Jan 28 2022

web oct 16 2008 curse of king tuts tomb 1980 usage attribution 3 0 story of the curse of king tut in 1922 with robin ellis tv movie added date 2008

the curse of king tut s mummy totally true adventures how - Oct 05 2022

web abebooks com the curse of king tut s mummy totally true adventures how a lost tomb was found 9780375838620 by zoehfeld kathleen weidner and a great

the curse of king tuts mummy totally true adventures pdfneed - Mar 10 2023

web the curse of king tut s mummy totally true adventures how a lost tomb was found zoehfeld kathleen weidner nelson james amazon in books

the curse of king tut s mummy totally true - Aug 15 2023

web about the curse of king tut s mummy totally true adventures when the pharaohs of egypt died they were mummified and buried in pyramids and tombs with all their riches

behold king tut in all his majesty and mystery - Jun 01 2022

web the curse of king tut s mummy totally true adventures learn more about how we are managing global supply chain issues coretta scott king newbery mathical book

the curse of king tut s tomb full movie movies anywhere - Mar 30 2022

web ease you to see guide the curse of king tut s mummy totally true adventu as you such as by searching the title publisher or authors of guide you in fact want you can

the curse of king tut s mummy totally true adventures - Jul 14 2023

web jan 23 2007 the curse of king tut s mummy totally true adventures how a lost tomb was found totally true adventures author kathleen weidner zoehfeld

the curse of king tut s mummy totally true adventures how - Aug 03 2022

web nov 12 2021 the discovery of his near intact tomb and his mummified corpse after more than 3 000 years the questions surrounding his demise and the violent deaths that

the curse of king tut s mummy totally true adventures how - Apr 11 2023

web when the pharaohs of egypt died they were mummified and buried in pyramids and tombs with all their riches but as centuries passed the tombs were looted and the pharaohs

the curse of king tut s mummy totally true adventu kaitlin - Dec 27 2021

the curse of king tut s mummy totally true adventures - Feb 26 2022

web apr 27 2023 the curse of king tut s tomb michael burgan 2019 05 01 follows the discovery and excavation of the tomb of king tutankhamen also known as king tut and the myth of the curse that afflicted those involved in the tomb s exploration written in graphic novel format the curse of king tut s mummy totally true adventures

the curse of king tut s mummy totally true adventures - Sep 04 2022

web the mummy s curse first enjoyed worldwide acclaim after the 1922 discovery of king tutankhamun s tomb in the valley of the kings near luxor egypt when howard carter

[the curse of king tut s mummy totally true adventures](#) - Nov 06 2022

web read the curse of king tut s mummy totally true adventures how a lost tomb was found by kathleen weidner zoehfeld available from rakuten kobo when the pharoahs

curse of king tuts tomb 1980 archive org - Oct 25 2021

the curse of king tut s mummy totally true advent pdf - Nov 25 2021

the curse of king tut s tomb tv movie 2006 imdb - Apr 30 2022

web tut the story of my immortal life p j hoover 2014 09 16 tut the story of my immortal life is a funny fast paced novel for young readers by p j hoover which chronicles the

the curse of king tut s mummy totally true adventures by - Dec 07 2022

web jul 22 2009 the curse of king tut s mummy totally true adventures how a lost tomb was found ebook zoehfeld kathleen weidner nelson jim nelson james

the curse of king tut s mummy totally true - May 12 2023

web download or read book the curse of king tut s mummy totally true adventures written by kathleen weidner zoehfeld and published by random house books for young readers this book was released on 2009 07 22 with total page 112 pages

the curse of king tut s mummy totally true adventures how - Jan 08 2023

web when the pharoahs of egypt died they were mummified and buried in pyramids and tombs with all their riches but as centuries passed the tombs were looted and the pharoahs

[curse of the mummy national geographic](#) - Jul 02 2022

web purchase the curse of king tut s tomb on digital and stream instantly or download offline mysterious events occur soon after an archaeologist discovers the egyptian ruler s burial

the curse of king tut s mummy totally true adventures - Feb 09 2023

web king tut a mummy s curse and howard carter s hunt for long lost treasure the curse of king tut s mummy totally true adventures by kathleen weidner zoehfeld

[the curse of king tut s mummy totally true adventures](#) - Jun 13 2023

web buy the curse of king tut s mummy totally true adventures how a lost tomb was found by zoehfeld kathleen weidner nelson jim online on amazon ae at best prices

