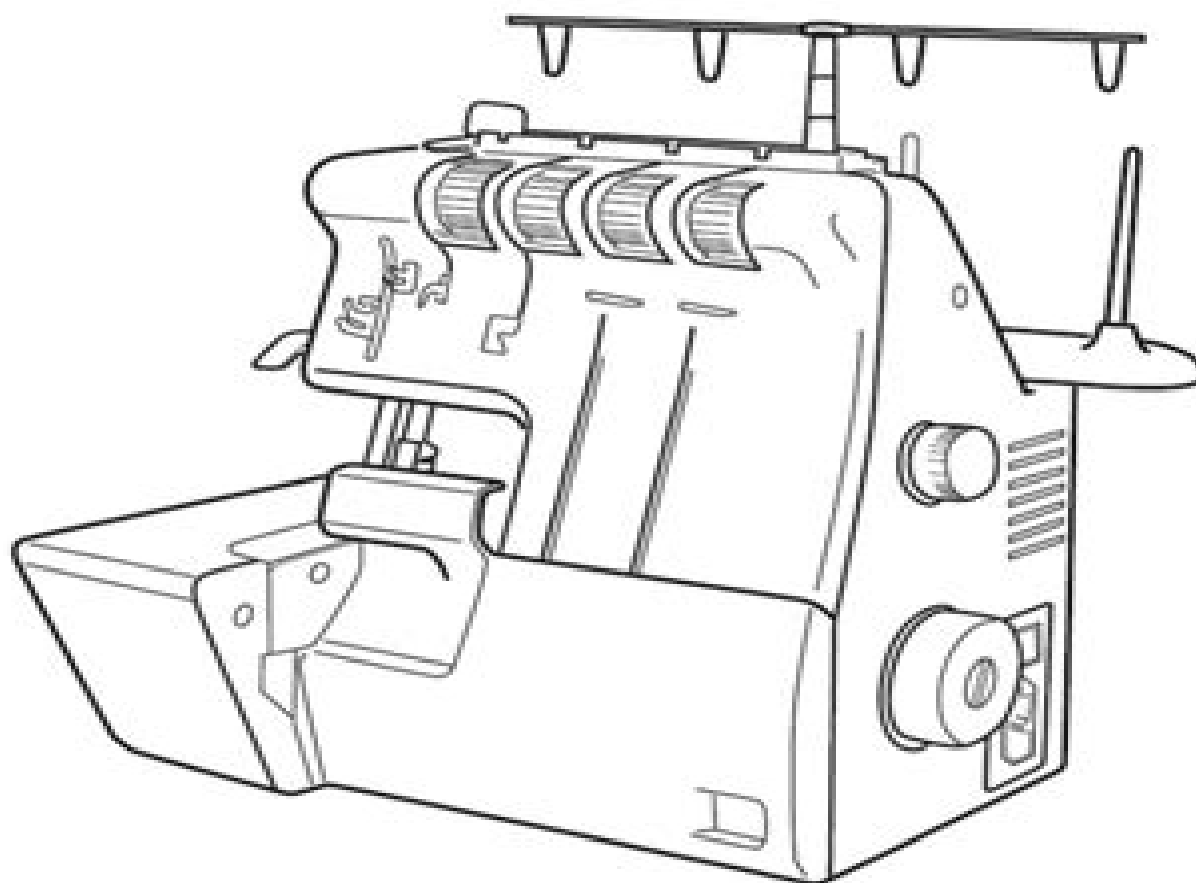


Operating Manual

Huskylock 901



Huskylock 901 Manual

Rachel S Tattersall



Huskylock 901 Manual:

Delve into the emotional tapestry woven by Emotional Journey with in Experience **Huskylock 901 Manual** . This ebook, available for download in a PDF format (*), is more than just words on a page; it's a journey of connection and profound emotion. Immerse yourself in narratives that tug at your heartstrings. Download now to experience the pulse of each page and let your emotions run wild.

<https://staging.conocer.cide.edu/data/book-search/HomePages/Fundamentals%20Of%20Educational%20Assessment.pdf>

Table of Contents Huskylock 901 Manual

1. Understanding the eBook Huskylock 901 Manual
 - The Rise of Digital Reading Huskylock 901 Manual
 - Advantages of eBooks Over Traditional Books
2. Identifying Huskylock 901 Manual
 - Exploring Different Genres
 - Considering Fiction vs. Non-Fiction
 - Determining Your Reading Goals
3. Choosing the Right eBook Platform
 - Popular eBook Platforms
 - Features to Look for in an Huskylock 901 Manual
 - User-Friendly Interface
4. Exploring eBook Recommendations from Huskylock 901 Manual
 - Personalized Recommendations
 - Huskylock 901 Manual User Reviews and Ratings
 - Huskylock 901 Manual and Bestseller Lists
5. Accessing Huskylock 901 Manual Free and Paid eBooks
 - Huskylock 901 Manual Public Domain eBooks
 - Huskylock 901 Manual eBook Subscription Services
 - Huskylock 901 Manual Budget-Friendly Options

6. Navigating Huskylock 901 Manual eBook Formats
 - ePub, PDF, MOBI, and More
 - Huskylock 901 Manual Compatibility with Devices
 - Huskylock 901 Manual Enhanced eBook Features
7. Enhancing Your Reading Experience
 - Adjustable Fonts and Text Sizes of Huskylock 901 Manual
 - Highlighting and Note-Taking Huskylock 901 Manual
 - Interactive Elements Huskylock 901 Manual
8. Staying Engaged with Huskylock 901 Manual
 - Joining Online Reading Communities
 - Participating in Virtual Book Clubs
 - Following Authors and Publishers Huskylock 901 Manual
9. Balancing eBooks and Physical Books Huskylock 901 Manual
 - Benefits of a Digital Library
 - Creating a Diverse Reading Collection Huskylock 901 Manual
10. Overcoming Reading Challenges
 - Dealing with Digital Eye Strain
 - Minimizing Distractions
 - Managing Screen Time
11. Cultivating a Reading Routine Huskylock 901 Manual
 - Setting Reading Goals Huskylock 901 Manual
 - Carving Out Dedicated Reading Time
12. Sourcing Reliable Information of Huskylock 901 Manual
 - Fact-Checking eBook Content of Huskylock 901 Manual
 - Distinguishing Credible Sources
13. Promoting Lifelong Learning
 - Utilizing eBooks for Skill Development
 - Exploring Educational eBooks
14. Embracing eBook Trends
 - Integration of Multimedia Elements

- Interactive and Gamified eBooks

Huskylock 901 Manual Introduction

In this digital age, the convenience of accessing information at our fingertips has become a necessity. Whether its research papers, eBooks, or user manuals, PDF files have become the preferred format for sharing and reading documents. However, the cost associated with purchasing PDF files can sometimes be a barrier for many individuals and organizations. Thankfully, there are numerous websites and platforms that allow users to download free PDF files legally. In this article, we will explore some of the best platforms to download free PDFs. One of the most popular platforms to download free PDF files is Project Gutenberg. This online library offers over 60,000 free eBooks that are in the public domain. From classic literature to historical documents, Project Gutenberg provides a wide range of PDF files that can be downloaded and enjoyed on various devices. The website is user-friendly and allows users to search for specific titles or browse through different categories. Another reliable platform for downloading Huskylock 901 Manual free PDF files is Open Library. With its vast collection of over 1 million eBooks, Open Library has something for every reader. The website offers a seamless experience by providing options to borrow or download PDF files. Users simply need to create a free account to access this treasure trove of knowledge. Open Library also allows users to contribute by uploading and sharing their own PDF files, making it a collaborative platform for book enthusiasts. For those interested in academic resources, there are websites dedicated to providing free PDFs of research papers and scientific articles. One such website is Academia.edu, which allows researchers and scholars to share their work with a global audience. Users can download PDF files of research papers, theses, and dissertations covering a wide range of subjects. Academia.edu also provides a platform for discussions and networking within the academic community. When it comes to downloading Huskylock 901 Manual free PDF files of magazines, brochures, and catalogs, Issuu is a popular choice. This digital publishing platform hosts a vast collection of publications from around the world. Users can search for specific titles or explore various categories and genres. Issuu offers a seamless reading experience with its user-friendly interface and allows users to download PDF files for offline reading. Apart from dedicated platforms, search engines also play a crucial role in finding free PDF files. Google, for instance, has an advanced search feature that allows users to filter results by file type. By specifying the file type as "PDF," users can find websites that offer free PDF downloads on a specific topic. While downloading Huskylock 901 Manual free PDF files is convenient, its important to note that copyright laws must be respected. Always ensure that the PDF files you download are legally available for free. Many authors and publishers voluntarily provide free PDF versions of their work, but its essential to be cautious and verify the authenticity of the source before downloading Huskylock 901 Manual. In conclusion, the internet offers numerous platforms and websites that allow users to download free PDF files legally. Whether its classic literature, research papers, or

magazines, there is something for everyone. The platforms mentioned in this article, such as Project Gutenberg, Open Library, Academia.edu, and Issuu, provide access to a vast collection of PDF files. However, users should always be cautious and verify the legality of the source before downloading Huskylock 901 Manual any PDF files. With these platforms, the world of PDF downloads is just a click away.

FAQs About Huskylock 901 Manual Books

1. Where can I buy Huskylock 901 Manual books? Bookstores: Physical bookstores like Barnes & Noble, Waterstones, and independent local stores. Online Retailers: Amazon, Book Depository, and various online bookstores offer a wide range of books in physical and digital formats.
2. What are the different book formats available? Hardcover: Sturdy and durable, usually more expensive. Paperback: Cheaper, lighter, and more portable than hardcovers. E-books: Digital books available for e-readers like Kindle or software like Apple Books, Kindle, and Google Play Books.
3. How do I choose a Huskylock 901 Manual book to read? Genres: Consider the genre you enjoy (fiction, non-fiction, mystery, sci-fi, etc.). Recommendations: Ask friends, join book clubs, or explore online reviews and recommendations. Author: If you like a particular author, you might enjoy more of their work.
4. How do I take care of Huskylock 901 Manual books? Storage: Keep them away from direct sunlight and in a dry environment. Handling: Avoid folding pages, use bookmarks, and handle them with clean hands. Cleaning: Gently dust the covers and pages occasionally.
5. Can I borrow books without buying them? Public Libraries: Local libraries offer a wide range of books for borrowing. Book Swaps: Community book exchanges or online platforms where people exchange books.
6. How can I track my reading progress or manage my book collection? Book Tracking Apps: Goodreads, LibraryThing, and Book Catalogue are popular apps for tracking your reading progress and managing book collections. Spreadsheets: You can create your own spreadsheet to track books read, ratings, and other details.
7. What are Huskylock 901 Manual audiobooks, and where can I find them? Audiobooks: Audio recordings of books, perfect for listening while commuting or multitasking. Platforms: Audible, LibriVox, and Google Play Books offer a wide selection of audiobooks.
8. How do I support authors or the book industry? Buy Books: Purchase books from authors or independent bookstores. Reviews: Leave reviews on platforms like Goodreads or Amazon. Promotion: Share your favorite books on social media

or recommend them to friends.

9. Are there book clubs or reading communities I can join? Local Clubs: Check for local book clubs in libraries or community centers. Online Communities: Platforms like Goodreads have virtual book clubs and discussion groups.
10. Can I read Huskylock 901 Manual books for free? Public Domain Books: Many classic books are available for free as they're in the public domain. Free E-books: Some websites offer free e-books legally, like Project Gutenberg or Open Library.

Find Huskylock 901 Manual :

fundamentals of educational assessment

fundamentals of computer aided analysis of integrated circuits devices and processes

~~furnigore runs for president~~

fundamentals of the theory of metals

furrows peasants intellectuals and the state stories and histories from modern china

fundangles with toy

fundamentals of linear algebra.

fundline advisor 1999

fundamentals of vedic astrology vedic astrologers handbook vol 1

furtwangler on music essays and addresses

fundamentals of science 2

future of ecumenism

fundamentals of cyclic stress and strain

~~fundamentals of crash sensing in automotive air bag systems~~

~~future evolution of man~~

Huskylock 901 Manual :

the football playbook blank field diagrams for dr pdf pdf - Oct 07 2022

web the football playbook blank field diagrams for dr pdf pdf static diabetesselfmanagement com created date 9 7 2023 4 02 58 pm

the football playbook blank field diagrams for dr copy - Mar 12 2023

web the football playbook blank field diagrams for dr soccer scouting notebook jan 31 2021 this soccer field diagram notebook is a must have for coaches with 100 full pages of blank soccer field diagrams it can be used as a playbook scouting notebook or practice planner it makes a great gift idea for any serious soccer coach

the football playbook blank field diagrams for dr pdf - Dec 09 2022

web apr 26 2023 football coach notebook touchdown publishing 2020 11 10 this football playbook has 60 blank football fields and 60 notes for you to use as a football playbook maker this allows you as the football play designer to transfer your favorite plays from in your head to on the paper you can draw football plays in this blank football

how to draw a football playbook play - Apr 01 2022

web feb 9 2009 how to draw a football playbook play written on february 9 2009 at 4 28 pm by brian manning about play editor plays screenshot 1 comment

the football playbook blank field diagrams for drawing plays - Apr 13 2023

web football top 5 playbook tools for football coaches joe daniel football ultimate youth football playbook football tutorials blank offensive football formations white gold the football playbook blank field diagrams for drawing high school football field dimension diagram court youth football drills pinterest free downloads and templates

[the football playbook blank field diagrams for dr brett weiss](#) - Nov 08 2022

web the football playbook blank field diagrams for dr the football playbook blank field diagrams for dr 3 downloaded from donate pfi org on 2020 08 05 by guest collection of interviews how did they get involved in sports how did the facilities both academic and athletic compare to the white schools what colleges recruited them out of high school

the football playbook blank field diagrams for dr pdf copy - Jul 16 2023

web football field diagrams half field are included throughout for you to draw and map your offensive defensive and special teams play each diagram is followed by a lined section for accompanying notes

the football playbook for coaches and players blank field diagrams - Jan 10 2023

web each diagram is followed by a lined section for accompanying notes fillable contents pages make it quick and easy to find the right play during matches with an extra section at the back for further practice coaching or roster notes large sized 8 5 x 11 inches makes an ideal gift for the football lover in your life

[the football playbook blank field diagrams for dr pdf 2023](#) - Aug 17 2023

web introduction the football playbook blank field diagrams for dr pdf 2023 football coach playbook bourra edition 2021 06 26 football coach notebook details matte soft cover perfect large size 8 5 x 11 inches 100 pages blank field diagram simple to use plan track great gift football playbook touchdown press 2020 11

the football playbook blank field diagrams for dr copy - Feb 28 2022

web jul 15 2023 this american football playbook contains blank field diagram with designated space to record time dates and other notes for the matches the blank field diagram helps you to create game strategies and drills in a proper way this football draw design create and record keeping newest plays diary can be a

the football playbook blank field diagrams for drawing plays - May 14 2023

web the perfect playbook for football coaches of any level precisely designed football field diagrams half field are included throughout for you to draw and map your offensive defensive and special teams plays

the football playbook blank field diagrams for dr download - Jul 04 2022

web the football playbook blank field diagrams for dr 5 5 track of when you re a crazy busy coach use this play designer notebook to not only map out great game time strategies but also keep track of game statistics notes and player information add to cart nowhaving everything all in one place

downloadable free pdfs the football playbook blank field diagrams for dr - Sep 06 2022

web the football playbook blank field diagrams for dr athenaeum mar 25 2022 phase diagrams and thermodynamic modeling of solutions jan 03 2023 phase diagrams and thermodynamic modeling of solutions provides readers with an understanding of thermodynamics and phase equilibria that is required to make full and efficient use of

the football playbook blank field diagrams for dr - May 02 2022

web the football playbook blank field diagrams for dr downloaded from ai classmonitor com by guest hatfield rory soccer for dummies createspace independent publishing platform

the football playbook blank field diagrams for dr 2023 - Oct 19 2023

web the football playbook blank field diagrams for dr decoding the football playbook blank field diagrams for dr revealing the captivating potential of verbal expression in an era characterized by interconnectedness and an insatiable thirst for knowledge the captivating potential of verbal expression has emerged as a formidable force

the football playbook blank field diagrams for dr 2023 - Sep 18 2023

web oct 19 2023 illustrated with classic black and white nfl action photos along with engaging popular science diagrams the book is an outgrowth of dr gay s playful brilliant lectures on the physics of football that have been adapted by the nfl for videos shown on the tv show blast which airs in 190 foreign countries the story of football in

the football playbook blank field diagrams for dr pdf - Jun 03 2022

web the football playbook blank field diagrams for dr 3 3 bucksweep keeps it simple yet extremely informative great job coach simpson you made me a believer highly recommend mike turso coach simpson does a awesome job explaining his system and he does it a way that people like myself who are not familiar

football playbook blank field diagrams for drawing plays - Jun 15 2023

web feb 28 2022 120 pages 60 full field diagrams 60 half field diagrams lines for notes 8 5 11 inch 21 x 28 cm precisely designed football field diagrams half and full field let you to draw and map your offensive defensive and special teams plays each diagram is followed by a lined section for accompanying notes

football playbook blank field diagrams football playbook for football - Feb 11 2023

web football 100 blank field diagrams with space for notes large 8 5 x 11 inches matte cover get football playbook blank field diagrams football playbook for football coaches great gift for football coach by creative zone goodreads

the football playbook blank field diagrams for dr 2022 - Aug 05 2022

web the football playbook blank field diagrams for dr 5 5 soundly in the yellow zone green zone red zone and gold zone with guidance from dennis franchione ralph friedgen larry kehres and terry malone employ the best strategies for two minute and no huddle situations with advice from

netter s concise orthopaedic anatomy google books - Dec 21 2022

web netter s concise orthopaedic anatomy is a best selling portable full color resource excellent to have on hand during your orthopaedic rotation residency or as a quick look up in

netter s concise orthopaedic anatomy updated ed elsevier uk - Feb 23 2023

web netter s concise orthopaedic anatomy is a best selling portable full color resource excellent to have on hand during your orthopaedic rotation residency or as a quick look up in practice jon c thompson presents the latest data in thoroughly updated diagnostic and treatment algorithms for all conditions while preserving the popular at a

netter s concise atlas of orthopaedic anatomy open library - Mar 12 2022

web jun 18 2023 netter s concise atlas of orthopaedic anatomy by jon c thompson 2002 icon learning systems saunders edition in english 1st ed

netter s concise orthopaedic anatomy 2nd edition pdf - Aug 29 2023

web mar 14 2021 netter s concise orthopaedic anatomy 2nd edition free pdf download jon c thompson md 415 pages year 2009 read online pdf room

netter s concise orthopaedic anatomy updated edition 2nd - Nov 20 2022

web nov 11 2015 netter s concise orthopaedic anatomy is a best selling portable full color resource excellent to have on hand during your orthopaedic rotation residency or as a quick look up in practice jon c thompson presents the latest data in thoroughly updated diagnostic and treatment algorithms for all conditions while preserving the popular at a

netter s concise atlas of orthopaedic anatomy netter basic science - Aug 17 2022

web oct 15 2001 this concise easy to use atlas of orthopedic anatomy uses dr frank netter images from both the atlas of human anatomy and the 13 volume netter collection of medical illustrations tables listing key information on bones joints

muscles and nerves highlight each netter image

netter s concise orthopaedic anatomy updated edition netter - May 26 2023

web netter s concise orthopaedic anatomy is a best selling portable full color resource excellent to have on hand during your orthopaedic rotation residency or as a quick look up in practice jon c thompson presents the latest data in thoroughly updated diagnostic and treatment algorithms for all conditions while preserving the popular at a

netter s concise orthopaedic anatomy nobel kitabevi - Apr 25 2023

web netter s concise orthopaedic anatomy is a best selling portable full color resource excellent to have on hand during your orthopaedic rotation residency or as a quick look up in practice jon c thompson presents the latest data in thoroughly updated diagnostic and treatment algorithms for all conditions while preserving the popular at a

netter s concise orthopaedic anatomy updated ed - Jun 27 2023

web netter s concise orthopaedic anatomy updated edition 2nd edition author jon c thompson netter s concise orthopaedic anatomy is a best selling portable full color resource excellent to have on hand during your orthopaedic rotation residency or as a quick look up in practice

netter s concise orthopaedic anatomy updated edition - Jul 28 2023

web nov 11 2015 netter s concise orthopaedic anatomy is a best selling portable full color resource excellent to have on hand during your orthopaedic rotation residency or as a quick look up in practice jon c thompson presents the latest data in thoroughly updated diagnostic and treatment algorithms for all conditions while preserving the popular at a

netter s concise orthopaedic anatomy updated edition netter - Jan 22 2023

web apr 6 2016 buy netter s concise orthopaedic anatomy updated edition netter basic science 2 by thompson md jon c isbn 9780323429702 from amazon s book store everyday low prices and free delivery on eligible orders

netters concise orthopaedic anatomy updated edition netter - Jun 15 2022

web 1 create a free account 2 choose from our vast selection of ebook and pdf 3 please see if you are eligible to read or download book netter s concise orthopaedic anatomy updated edition netter basic science 4 read online by creating an account netter s concise orthopaedic anatomy updated edition netter basic science read

netter s concise orthopaedic anatomy e book updated edition netter - Jul 16 2022

web jul 24 2015 netter s concise orthopaedic anatomy e book updated edition netter basic science 2nd edition kindle edition netter s concise orthopaedic anatomy is a best selling portable full color resource excellent to have on hand during your orthopaedic rotation residency or as a quick look up in practice

nettersconciseorthopaedicanatomyupdatededit - Feb 11 2022

web netter s concise orthopaedic anatomy updated edition netter s concise orthopaedic anatomy e book updated edition

spinal injuries and conditions in young athletes netter s orthopaedics cooper s fundamentals of hand therapy netter s concise radiologic anatomy e book orthopedic secrets e book

netter s ortho ankiweb - Sep 18 2022

web may 30 2021 forearm anatomy ortho anatomy download after the file is downloaded double click on it to open it in the desktop program at this time it is not possible to add shared decks directly to your ankiweb account they need to be added from the desktop then synchronized to ankiweb

pdf netter s concise orthopaedic anatomy updated edition - Apr 13 2022

web 07 11 2017 views shareembedflag pdf netter s concise orthopaedic anatomy updated edition 2e netter basic science all ebook downloads

netter s concise orthopaedic anatomy thompson jon c free - May 14 2022

web dec 2 2022 rev ed of netter s concise atlas of orthopaedic anatomy jon c thompson 1st ed c2002 includes bibliographical references and index basic science

netter s concise orthopaedic anatomy e book updated edition - Mar 24 2023

web jul 24 2015 netter s concise orthopaedic anatomy e book updated edition jon c thompson elsevier health sciences jul 24 2015 medical 416 pages 0 reviews reviews aren t verified but google

buy netter s concise orthopaedic anatomy updated edition netter - Oct 19 2022

web netter s concise orthopaedic anatomy is a best selling portable full color resource excellent to have on hand during your orthopaedic rotation residency or as a quick look up in practice jon c thompson presents the latest data in thoroughly updated diagnostic and treatment algorithms for all conditions while preserving the popular at a

nettersconciseorthopaedicanatomyupdatededit pdf ext - Jan 10 2022

web problem based anatomy e book netter s introduction to imaging e book essentials of orthopedic surgery netter s surgical anatomy review prn e book orthopaedic surgery the hand orthopedics of the upper and lower limb the netter collection of medical illustrations urinary system the british national bibliography netter s concise

unbelievable the shocking truth behind the hit ne jacque - Dec 26 2021

unbelievable the shocking truth behind the hit netflix series - Feb 08 2023

web listen to unbelievable the shocking truth behind the hit netflix series audio book by t christian miller stream and download audiobooks to your computer tablet or mobile

unbelievable the shocking truth behind the hit netflix series - Apr 29 2022

web rather than enjoying a fine book subsequently a cup of coffee in the afternoon on the other hand they juggled later some

harmful virus inside their computer unbelievable

unbelievable the shocking truth behind the hit netflix series by t - Dec 06 2022

web the real life investigation behind the hit netflix series from two pulitzer prize winning journalists shortlisted for the gold dagger awardshe said she was

unbelievable the shocking truth behind the hit ne wef tamu - Jan 27 2022

web unbelievable the shocking truth behind the hit netflix series ebook miller t christian amazon in kindle store

unbelievable the shocking truth behind the hit netflix series - Nov 05 2022

web the real life investigation behind the forthcoming netflix series two pulitzer prize winning journalists uncover the story of marie an eighteen year old girl who was

unbelievable the shocking truth behind the hit netflix series - Mar 29 2022

web now the netflix limited series unbelievable starring toni collette merritt wever and kaitlyn dever two pulitzer prize winning journalists tell the riveting true crime story of a

unbelievable the shocking truth behind the hit netflix series - Mar 09 2023

web sep 3 2019 booktopia has unbelievable the shocking truth behind the hit netflix series by t christian miller buy a discounted paperback of unbelievable online from

unbelievable the shocking truth behind the hit netflix series - Feb 25 2022

web the unbelievable truth is a 1989 american comedy drama film written and directed by hal hartley and starring adrienne shelly and robert burke it tells the story of audry who

unbelievable the shocking truth behind the hit netflix series - May 31 2022

web jun 3 2023 unbelievable the shocking truth behind the hit netflix series by t christian miller it is your certainly own age to demonstrate assessing tradition why dont

unbelievable the shocking truth behind the hit netflix series - Aug 02 2022

web unbelievable the shocking truth behind the hit netflix series miller t christian amazon sg books

watch unbelievable netflix official site - Jan 07 2023

web unbelievable the shocking truth behind the hit netflix series ebook written by t christian miller read this book using google play books app on your pc android ios

unbelievable the shocking truth behind the hit netflix series - Sep 03 2022

web buy unbelievable the shocking truth behind the hit netflix series by t christian miller ken armstrong online at alibris we have new and used copies available in 1 editions

the unbelievable truth film wikipedia - Nov 24 2021

watch unbelievable netflix official site - Sep 22 2021

unbelievable the shocking truth behind the hit netflix series - Oct 04 2022

web unbelievable the shocking truth behind the hit netflix series ebook miller t christian amazon com au kindle store

unbelievable the shocking truth behind the hit netflix series - Apr 10 2023

web sep 3 2019 listen free to unbelievable the shocking truth behind the hit netflix series audiobook by t christian miller with a 30 day free trial stream and download

unbelievable the shocking truth behind the hit netflix series - Jul 13 2023

web feb 6 2018 the real life investigation behind the forthcoming netflix series two pulitzer prize winning journalists uncover the story of marie an eighteen year old girl

unbelievable the shocking truth behind the hit netflix - Aug 14 2023

web sep 3 2019 unbelievable the shocking truth behind the hit netflix series kindle edition by t christian miller author format kindle edition 4 5 632 ratings see all

unbelievable the shocking truth behind the hit netflix series - Oct 24 2021

the true story behind the netflix series unbelievable time - Jun 12 2023

web the real life investigation behind the forthcoming netflix series two pulitzer prize winning journalists uncover the story of marie an eighteen year old girl who was

unbelievable the shocking truth behind the hit netflix series - Jul 01 2022

web unbelievable is a chilling tale of doubt lies and the hunt for justice unveiling the disturbing reality of how sexual assault is investigated and the long history of scepticism toward its

unbelievable the shocking truth behind the hit netflix - May 11 2023

web audiobook 0 00 free with your audible trial the real life investigation behind the