

File Home Insert Page Layout References Mailings Review View Format

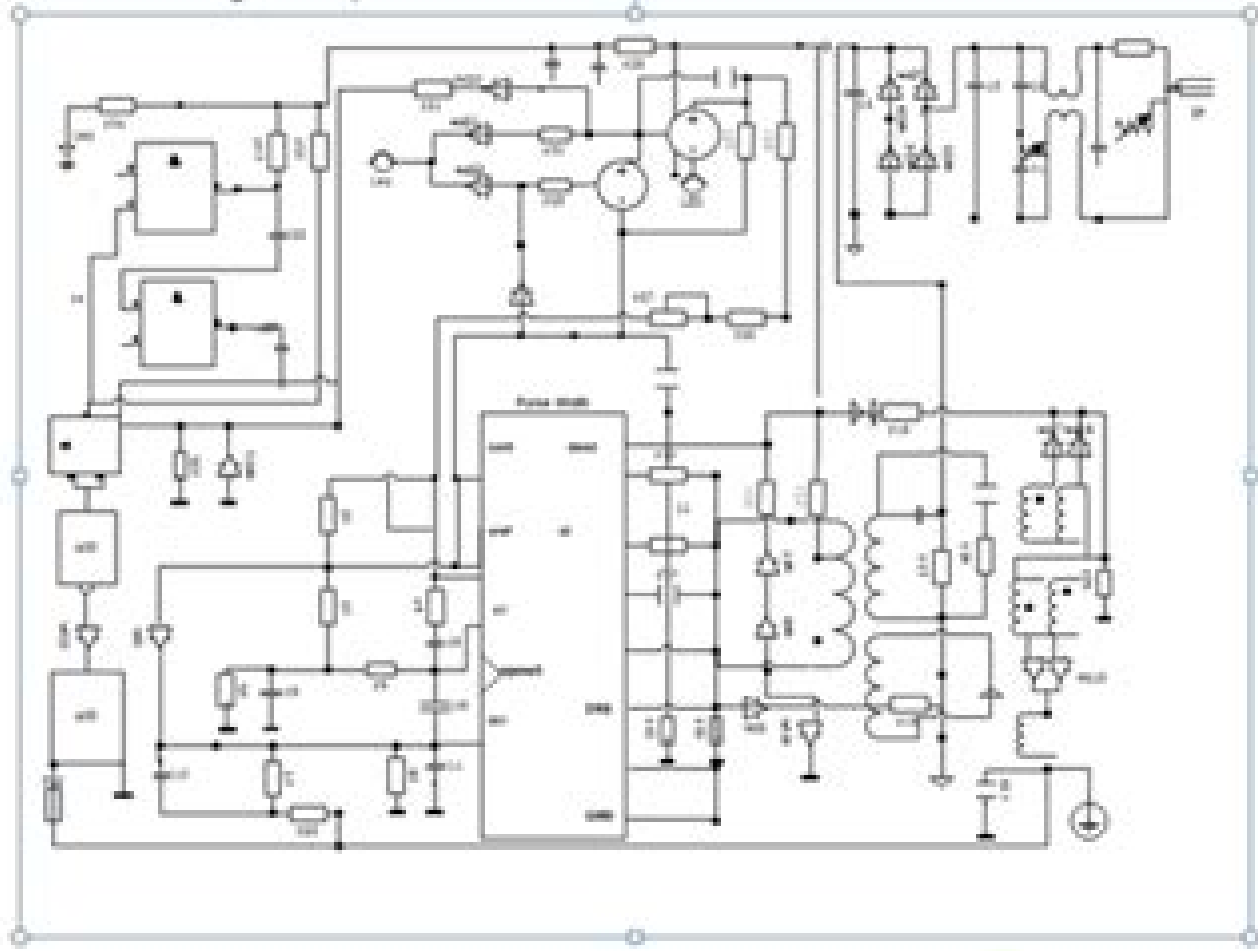
Calibri (Body) 11 A A+ A- [Bulleted List] [Numbered List] [Decrease Indent] [Increase Indent] [Align Left] [Align Center] [Align Right] [Justify]

Font Paragraph Styles

Find Replace Select Editing

Microsoft Word Ribbon: Font, Paragraph, Styles, Find and Replace, Selection, Editing

Electrical Diagram Example:



How To Draw Circuit Diagrams In Word

JE Gale



How To Draw Circuit Diagrams In Word:

Embark on a breathtaking journey through nature and adventure with is mesmerizing ebook, **How To Draw Circuit Diagrams In Word** . This immersive experience, available for download in a PDF format (Download in PDF: *), transports you to the heart of natural marvels and thrilling escapades. Download now and let the adventure begin!

<https://staging.conocer.cide.edu/public/uploaded-files/Documents/find%20fried%20sweet%20potatoes%20recipe.pdf>

Table of Contents How To Draw Circuit Diagrams In Word

1. Understanding the eBook How To Draw Circuit Diagrams In Word
 - The Rise of Digital Reading How To Draw Circuit Diagrams In Word
 - Advantages of eBooks Over Traditional Books
2. Identifying How To Draw Circuit Diagrams In Word
 - Exploring Different Genres
 - Considering Fiction vs. Non-Fiction
 - Determining Your Reading Goals
3. Choosing the Right eBook Platform
 - Popular eBook Platforms
 - Features to Look for in an How To Draw Circuit Diagrams In Word
 - User-Friendly Interface
4. Exploring eBook Recommendations from How To Draw Circuit Diagrams In Word
 - Personalized Recommendations
 - How To Draw Circuit Diagrams In Word User Reviews and Ratings
 - How To Draw Circuit Diagrams In Word and Bestseller Lists
5. Accessing How To Draw Circuit Diagrams In Word Free and Paid eBooks
 - How To Draw Circuit Diagrams In Word Public Domain eBooks
 - How To Draw Circuit Diagrams In Word eBook Subscription Services
 - How To Draw Circuit Diagrams In Word Budget-Friendly Options
6. Navigating How To Draw Circuit Diagrams In Word eBook Formats

- ePub, PDF, MOBI, and More
 - How To Draw Circuit Diagrams In Word Compatibility with Devices
 - How To Draw Circuit Diagrams In Word Enhanced eBook Features
7. Enhancing Your Reading Experience
 - Adjustable Fonts and Text Sizes of How To Draw Circuit Diagrams In Word
 - Highlighting and Note-Taking How To Draw Circuit Diagrams In Word
 - Interactive Elements How To Draw Circuit Diagrams In Word
 8. Staying Engaged with How To Draw Circuit Diagrams In Word
 - Joining Online Reading Communities
 - Participating in Virtual Book Clubs
 - Following Authors and Publishers How To Draw Circuit Diagrams In Word
 9. Balancing eBooks and Physical Books How To Draw Circuit Diagrams In Word
 - Benefits of a Digital Library
 - Creating a Diverse Reading Collection How To Draw Circuit Diagrams In Word
 10. Overcoming Reading Challenges
 - Dealing with Digital Eye Strain
 - Minimizing Distractions
 - Managing Screen Time
 11. Cultivating a Reading Routine How To Draw Circuit Diagrams In Word
 - Setting Reading Goals How To Draw Circuit Diagrams In Word
 - Carving Out Dedicated Reading Time
 12. Sourcing Reliable Information of How To Draw Circuit Diagrams In Word
 - Fact-Checking eBook Content of How To Draw Circuit Diagrams In Word
 - Distinguishing Credible Sources
 13. Promoting Lifelong Learning
 - Utilizing eBooks for Skill Development
 - Exploring Educational eBooks
 14. Embracing eBook Trends
 - Integration of Multimedia Elements
 - Interactive and Gamified eBooks

How To Draw Circuit Diagrams In Word Introduction

In today's digital age, the availability of How To Draw Circuit Diagrams In Word books and manuals for download has revolutionized the way we access information. Gone are the days of physically flipping through pages and carrying heavy textbooks or manuals. With just a few clicks, we can now access a wealth of knowledge from the comfort of our own homes or on the go. This article will explore the advantages of How To Draw Circuit Diagrams In Word books and manuals for download, along with some popular platforms that offer these resources. One of the significant advantages of How To Draw Circuit Diagrams In Word books and manuals for download is the cost-saving aspect. Traditional books and manuals can be costly, especially if you need to purchase several of them for educational or professional purposes. By accessing How To Draw Circuit Diagrams In Word versions, you eliminate the need to spend money on physical copies. This not only saves you money but also reduces the environmental impact associated with book production and transportation. Furthermore, How To Draw Circuit Diagrams In Word books and manuals for download are incredibly convenient. With just a computer or smartphone and an internet connection, you can access a vast library of resources on any subject imaginable. Whether you're a student looking for textbooks, a professional seeking industry-specific manuals, or someone interested in self-improvement, these digital resources provide an efficient and accessible means of acquiring knowledge. Moreover, PDF books and manuals offer a range of benefits compared to other digital formats. PDF files are designed to retain their formatting regardless of the device used to open them. This ensures that the content appears exactly as intended by the author, with no loss of formatting or missing graphics. Additionally, PDF files can be easily annotated, bookmarked, and searched for specific terms, making them highly practical for studying or referencing. When it comes to accessing How To Draw Circuit Diagrams In Word books and manuals, several platforms offer an extensive collection of resources. One such platform is Project Gutenberg, a nonprofit organization that provides over 60,000 free eBooks. These books are primarily in the public domain, meaning they can be freely distributed and downloaded. Project Gutenberg offers a wide range of classic literature, making it an excellent resource for literature enthusiasts. Another popular platform for How To Draw Circuit Diagrams In Word books and manuals is Open Library. Open Library is an initiative of the Internet Archive, a non-profit organization dedicated to digitizing cultural artifacts and making them accessible to the public. Open Library hosts millions of books, including both public domain works and contemporary titles. It also allows users to borrow digital copies of certain books for a limited period, similar to a library lending system. Additionally, many universities and educational institutions have their own digital libraries that provide free access to PDF books and manuals. These libraries often offer academic texts, research papers, and technical manuals, making them invaluable resources for students and researchers. Some notable examples include MIT OpenCourseWare, which offers free access to course materials from the Massachusetts Institute of Technology, and the Digital Public Library of America, which provides a vast collection of digitized books and historical documents. In conclusion, How To Draw Circuit

Diagrams In Word books and manuals for download have transformed the way we access information. They provide a cost-effective and convenient means of acquiring knowledge, offering the ability to access a vast library of resources at our fingertips. With platforms like Project Gutenberg, Open Library, and various digital libraries offered by educational institutions, we have access to an ever-expanding collection of books and manuals. Whether for educational, professional, or personal purposes, these digital resources serve as valuable tools for continuous learning and self-improvement. So why not take advantage of the vast world of How To Draw Circuit Diagrams In Word books and manuals for download and embark on your journey of knowledge?

FAQs About How To Draw Circuit Diagrams In Word Books

How do I know which eBook platform is the best for me? Finding the best eBook platform depends on your reading preferences and device compatibility. Research different platforms, read user reviews, and explore their features before making a choice. Are free eBooks of good quality? Yes, many reputable platforms offer high-quality free eBooks, including classics and public domain works. However, make sure to verify the source to ensure the eBook credibility. Can I read eBooks without an eReader? Absolutely! Most eBook platforms offer web-based readers or mobile apps that allow you to read eBooks on your computer, tablet, or smartphone. How do I avoid digital eye strain while reading eBooks? To prevent digital eye strain, take regular breaks, adjust the font size and background color, and ensure proper lighting while reading eBooks. What the advantage of interactive eBooks? Interactive eBooks incorporate multimedia elements, quizzes, and activities, enhancing the reader engagement and providing a more immersive learning experience. How To Draw Circuit Diagrams In Word is one of the best book in our library for free trial. We provide copy of How To Draw Circuit Diagrams In Word in digital format, so the resources that you find are reliable. There are also many Ebooks of related with How To Draw Circuit Diagrams In Word. Where to download How To Draw Circuit Diagrams In Word online for free? Are you looking for How To Draw Circuit Diagrams In Word PDF? This is definitely going to save you time and cash in something you should think about.

Find How To Draw Circuit Diagrams In Word :

find fried sweet potatoes recipe

finds262past papers unsw

financial accounting libby 7th edition chapter solutions

find a local shoe repair shop

find the answers to mymathlab final exam

[financial accounting dyckman solution manual](#)

[finding loves wings loves wings 1 zoey derrick](#)

fire fighting system fabrication guide

[financial and managerial accounting 12th edition solution manual chapter 7](#)

[fire alarm system simplex 4000 manual](#)

financial statement analysis and valuation 3rd edition solutions

financial manual for uwasnet

find it previous exam papers for engineering science n3

finding stone the stone brothers series book english edition

find vin number by owner name

How To Draw Circuit Diagrams In Word :

Manuals - iPod Browse Manuals by Product · iPod Touch User Guide for iOS 15 · Web | Apple Books · iPod Touch User Guide for iOS 14 · Web | Apple Books · iPod touch User Guide for ... User manual Apple iPod Nano (English - 104 pages) Manual. View the manual for the Apple iPod Nano here, for free. This manual comes under the category MP3 players and has been rated by 10 people with an ... iPod Nano User Guide Use the Apple EarPods to listen to music, audiobooks, and podcasts. The EarPods also double as an antenna for listening to radio broadcasts. For information ... instruction manual for iPod nano 5th gen. May 24, 2012 — My Granddaughter got an iPhone and gave me her iPod nano, 5th generation. How do I charge it on my Mac and how do I get an instruction ... Download iPod nano Manuals for All Models Dec 2, 2020 — The iPod nano doesn't come with a manual, but you can get one. Here's where to find these downloadable manuals for every iPod nano model. Apple - Support - Manuals (AU) Browse Manuals by Product · iPod Touch User Guide for iOS 15 · Web | Apple Books · iPod Touch User Guide for iOS 14 · Web | Apple Books · iPod touch User Guide for ... How can I get a user manual? - iPod Nano 1st Generation Mar 28, 2010 — Here's the PDF manual from Apple: http://manuals.info.apple.com/en_US/iPod... - iPod Nano 1st Generation. iPod classic User Guide Apple Logo ; iPod touch. User Guide · iPod classic. User Guide · iPod nano. User Guide ; iPod touch To view on iPod touch: Install the free iBooks app, then ... iPod nano User Guide For downloadable versions of the iPod nano User Guide and the latest safety information, visit support.apple.com/manuals/ipod. Important safety and handling ... iPod nano (2nd Gen) Features Guide (Manual) Read this section to learn about the features of iPod nano, how to use its controls, and more. To use iPod nano, you put music, photos, and other files on your ... The Transgender Studies Reader - 1st Edition Transgender studies is the latest area of academic inquiry to grow out of the exciting nexus of queer

theory, feminist studies, and the history of sexuality ... The Transgender Studies Reader This text is first in the canon of transgender literature. It is a must read for students of gender studies and persons questioning the gender assigned them at ... The Transgender Studies Reader 2 - 1st Edition Unlike the first volume, which was historically based, tracing the lineage of the field, this volume focuses on recent work and emerging trends. To keep pace ... The Transgender Studies Reader ... The Transgender Studies. Reader. We also thank Don Romesburg for his intrepid bibliographical assistance, and Texas Starr for administrative support in the ... The Transgender Studies Reader | Susan Stryker, Stephen ... Aug 16, 2013 — Transgender studies is the latest area of academic inquiry to grow out of the exciting nexus of queer theory, feminist studies, ... The Transgender Studies Reader Transgender studies is the latest area of academic inquiry to grow out of the exciting nexus of queer theory, feminist studies, and the history of sexuality ... The Transgender Studies Reader by Susan Stryker Transgender studies is the latest area of academic inquiry to grow out of the exciting nexus of queer theory, feminist studies, and the history of sexuality ... The Transgender Studies Reader The Transgender Studies Reader ; Publication Date 2006-05-26 ; Section Gender Studies / Gay & Lesbian ; Type New ; Format Paperback ; ISBN 9780415947091. The Transgender Studies Reader Transgender studies is the latest area of academic inquiry to grow out of the exciting nexus of queer theory, feminist studies, and the history of sexuality ... The Transgender Studies Reader book by Susan Stryker Transgender studies is the latest area of academic inquiry to grow out of the exciting nexus of queer theory, feminist studies, and the history of sexuality ... Warriner's Handbook Fourth Course: Grammar, Usage, ... Find step-by-step solutions and answers to Warriner's Handbook Fourth Course: Grammar, Usage, Mechanics, Sentences - 9780030990038, as well as thousands of ... Teacher's Manual with Answer Keys - Fourth Course ... Teacher's Manual with Answer Keys - Fourth Course (Warriner's English Grammar & Composition) [John E. Warriner] on Amazon.com. *FREE* shipping on qualifying ... Warriner's English Grammar & Composition 4th Course ... Answer Key for Warriner's English Grammar and Composition, Fourth Course by Harcourt Brace Jovanovich, Inc., 1977 Heritage Ed.ition. Seton. 51 pp. Free read Warriner handbook fourth course answers (2023) Jun 22, 2023 — Warriner's Handbook Holt Handbook - Teacher's Edition 4th Course Literature & Language Arts Fourth Course Grade 10 Holt Traditions. Holt Traditions Warriner's Handbook: Chapter Tests With ... Holt Traditions Warriner's Handbook: Chapter Tests With Answer Key Grade 10 Fourth Course [Warriner E] on Amazon.com. *FREE* shipping on qualifying offers. Fourth Course (Warriner's English Grammar & Composition) Synopsis: Instructors Manual for the Fourth Course Student Text. Includes sequencing of assignments, answers to textbook exercises and diagnostic tests and ... Holt Traditions Warriner's Handbook Teacher's Edition ... Sep 13, 2017 — With this course, answers are important both in terms of time saved and in terms of learning accuracy. Answers to the exercises in the ... Holt Traditions Warriner's Handbook: Chapter Tests With ... Holt Traditions Warriner's Handbook: Chapter Tests With Answer Key Grade 10 Fourth Course - Softcover ; ISBN 10 0030998476 ; ISBN 13 9780030998478 ; Binding ... Warriner's English

grammar and composition: fourth course Warriner's English grammar and composition: fourth course : teacher's manual with answer keys | WorldCat.org. Grammar Usage and Mechanics : Language Skills Practice ... Page 1. Page 2. FOURTH COURSE. Grammar, Usage, and Mechanics. Language Skills ... answers to the assignment yesterday. 16. We are always singing Nedra's praises ...