

# Mitsubishi RVR 2020-2024 Workshop Manual

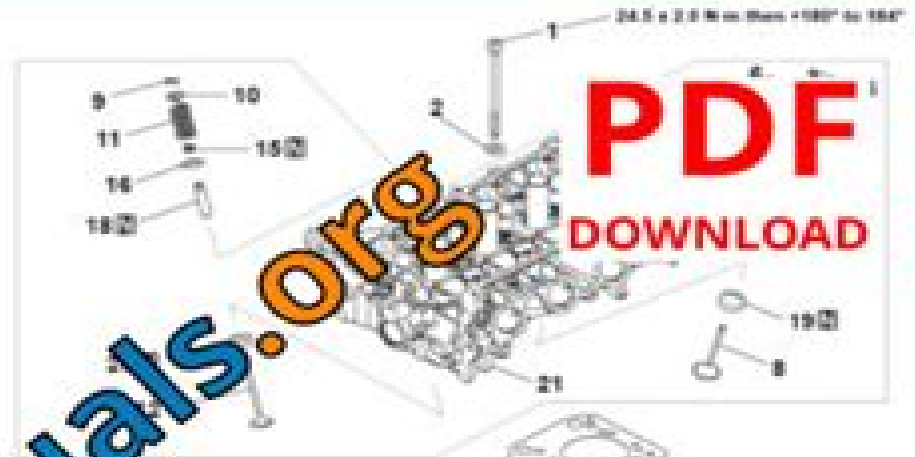
## ▶▶A◀◀ TIMING CHAIN / TIMING CHAIN GUIDE / TENSIONER LEVER INSTALLATION



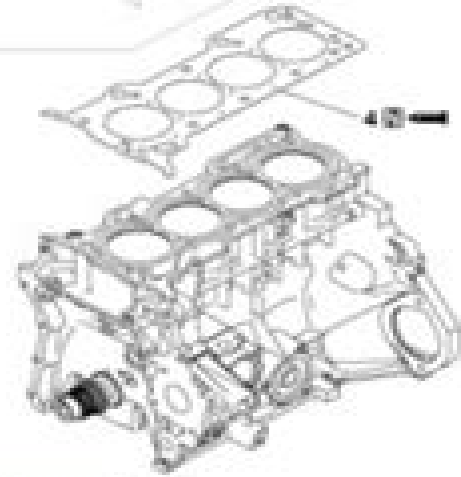
1. Align the timing mark of the rocker arm sprocket with the timing mark (notch) of the V.V.T. sprocket.
2. Align the crankshaft sprocket with the indicated positions.



1. Align the timing mark of the crankshaft sprocket with the link pin (blue) to loop the timing chain.



Apply engine oil to all moving parts before installation.



1. Install the special tool magnet base plate (M1992054) to the upper face of the cylinder head at the inlet side.

Workshopmanuals.Org

# Mitsubishi Rvr Engine Manual

**RC Schank**



## **Mitsubishi Rvr Engine Manual:**

## Unveiling the Power of Verbal Art: An Psychological Sojourn through **Mitsubishi Rvr Engine Manual**

In some sort of inundated with monitors and the cacophony of fast connection, the profound energy and mental resonance of verbal art often fade into obscurity, eclipsed by the regular assault of sound and distractions. Yet, nestled within the musical pages of **Mitsubishi Rvr Engine Manual**, a captivating work of fictional brilliance that impulses with fresh emotions, lies an remarkable journey waiting to be embarked upon. Written with a virtuoso wordsmith, that interesting opus books visitors on an emotional odyssey, delicately revealing the latent possible and profound affect stuck within the delicate internet of language. Within the heart-wrenching expanse with this evocative examination, we shall embark upon an introspective exploration of the book is main styles, dissect its fascinating publishing type, and immerse ourselves in the indelible effect it leaves upon the depths of readers souls.

<https://staging.conocer.cide.edu/About/virtual-library/default.aspx/final%20analysis%20an%20eisenmenger%20flemming%20forensic%20mystery.pdf>

### **Table of Contents Mitsubishi Rvr Engine Manual**

1. Understanding the eBook Mitsubishi Rvr Engine Manual
  - The Rise of Digital Reading Mitsubishi Rvr Engine Manual
  - Advantages of eBooks Over Traditional Books
2. Identifying Mitsubishi Rvr Engine Manual
  - Exploring Different Genres
  - Considering Fiction vs. Non-Fiction
  - Determining Your Reading Goals
3. Choosing the Right eBook Platform
  - Popular eBook Platforms
  - Features to Look for in an Mitsubishi Rvr Engine Manual
  - User-Friendly Interface
4. Exploring eBook Recommendations from Mitsubishi Rvr Engine Manual

- Personalized Recommendations
- Mitsubishi Rvr Engine Manual User Reviews and Ratings
- Mitsubishi Rvr Engine Manual and Bestseller Lists
- 5. Accessing Mitsubishi Rvr Engine Manual Free and Paid eBooks
  - Mitsubishi Rvr Engine Manual Public Domain eBooks
  - Mitsubishi Rvr Engine Manual eBook Subscription Services
  - Mitsubishi Rvr Engine Manual Budget-Friendly Options
- 6. Navigating Mitsubishi Rvr Engine Manual eBook Formats
  - ePub, PDF, MOBI, and More
  - Mitsubishi Rvr Engine Manual Compatibility with Devices
  - Mitsubishi Rvr Engine Manual Enhanced eBook Features
- 7. Enhancing Your Reading Experience
  - Adjustable Fonts and Text Sizes of Mitsubishi Rvr Engine Manual
  - Highlighting and Note-Taking Mitsubishi Rvr Engine Manual
  - Interactive Elements Mitsubishi Rvr Engine Manual
- 8. Staying Engaged with Mitsubishi Rvr Engine Manual
  - Joining Online Reading Communities
  - Participating in Virtual Book Clubs
  - Following Authors and Publishers Mitsubishi Rvr Engine Manual
- 9. Balancing eBooks and Physical Books Mitsubishi Rvr Engine Manual
  - Benefits of a Digital Library
  - Creating a Diverse Reading Collection Mitsubishi Rvr Engine Manual
- 10. Overcoming Reading Challenges
  - Dealing with Digital Eye Strain
  - Minimizing Distractions
  - Managing Screen Time
- 11. Cultivating a Reading Routine Mitsubishi Rvr Engine Manual
  - Setting Reading Goals Mitsubishi Rvr Engine Manual
  - Carving Out Dedicated Reading Time
- 12. Sourcing Reliable Information of Mitsubishi Rvr Engine Manual

- Fact-Checking eBook Content of Mitsubishi Rvr Engine Manual
  - Distinguishing Credible Sources
13. Promoting Lifelong Learning
- Utilizing eBooks for Skill Development
  - Exploring Educational eBooks
14. Embracing eBook Trends
- Integration of Multimedia Elements
  - Interactive and Gamified eBooks

### **Mitsubishi Rvr Engine Manual Introduction**

In this digital age, the convenience of accessing information at our fingertips has become a necessity. Whether its research papers, eBooks, or user manuals, PDF files have become the preferred format for sharing and reading documents. However, the cost associated with purchasing PDF files can sometimes be a barrier for many individuals and organizations. Thankfully, there are numerous websites and platforms that allow users to download free PDF files legally. In this article, we will explore some of the best platforms to download free PDFs. One of the most popular platforms to download free PDF files is Project Gutenberg. This online library offers over 60,000 free eBooks that are in the public domain. From classic literature to historical documents, Project Gutenberg provides a wide range of PDF files that can be downloaded and enjoyed on various devices. The website is user-friendly and allows users to search for specific titles or browse through different categories. Another reliable platform for downloading Mitsubishi Rvr Engine Manual free PDF files is Open Library. With its vast collection of over 1 million eBooks, Open Library has something for every reader. The website offers a seamless experience by providing options to borrow or download PDF files. Users simply need to create a free account to access this treasure trove of knowledge. Open Library also allows users to contribute by uploading and sharing their own PDF files, making it a collaborative platform for book enthusiasts. For those interested in academic resources, there are websites dedicated to providing free PDFs of research papers and scientific articles. One such website is Academia.edu, which allows researchers and scholars to share their work with a global audience. Users can download PDF files of research papers, theses, and dissertations covering a wide range of subjects. Academia.edu also provides a platform for discussions and networking within the academic community. When it comes to downloading Mitsubishi Rvr Engine Manual free PDF files of magazines, brochures, and catalogs, Issuu is a popular choice. This digital publishing platform hosts a vast collection of publications from around the world. Users can search for specific titles or explore various categories and genres. Issuu offers a seamless reading experience with its user-friendly interface and allows users to download PDF files for offline reading. Apart from

dedicated platforms, search engines also play a crucial role in finding free PDF files. Google, for instance, has an advanced search feature that allows users to filter results by file type. By specifying the file type as "PDF," users can find websites that offer free PDF downloads on a specific topic. While downloading Mitsubishi Rvr Engine Manual free PDF files is convenient, its important to note that copyright laws must be respected. Always ensure that the PDF files you download are legally available for free. Many authors and publishers voluntarily provide free PDF versions of their work, but its essential to be cautious and verify the authenticity of the source before downloading Mitsubishi Rvr Engine Manual. In conclusion, the internet offers numerous platforms and websites that allow users to download free PDF files legally. Whether its classic literature, research papers, or magazines, there is something for everyone. The platforms mentioned in this article, such as Project Gutenberg, Open Library, Academia.edu, and Issuu, provide access to a vast collection of PDF files. However, users should always be cautious and verify the legality of the source before downloading Mitsubishi Rvr Engine Manual any PDF files. With these platforms, the world of PDF downloads is just a click away.

### **FAQs About Mitsubishi Rvr Engine Manual Books**

1. Where can I buy Mitsubishi Rvr Engine Manual books? Bookstores: Physical bookstores like Barnes & Noble, Waterstones, and independent local stores. Online Retailers: Amazon, Book Depository, and various online bookstores offer a wide range of books in physical and digital formats.
2. What are the different book formats available? Hardcover: Sturdy and durable, usually more expensive. Paperback: Cheaper, lighter, and more portable than hardcovers. E-books: Digital books available for e-readers like Kindle or software like Apple Books, Kindle, and Google Play Books.
3. How do I choose a Mitsubishi Rvr Engine Manual book to read? Genres: Consider the genre you enjoy (fiction, non-fiction, mystery, sci-fi, etc.). Recommendations: Ask friends, join book clubs, or explore online reviews and recommendations. Author: If you like a particular author, you might enjoy more of their work.
4. How do I take care of Mitsubishi Rvr Engine Manual books? Storage: Keep them away from direct sunlight and in a dry environment. Handling: Avoid folding pages, use bookmarks, and handle them with clean hands. Cleaning: Gently dust the covers and pages occasionally.
5. Can I borrow books without buying them? Public Libraries: Local libraries offer a wide range of books for borrowing. Book Swaps: Community book exchanges or online platforms where people exchange books.
6. How can I track my reading progress or manage my book collection? Book Tracking Apps: Goodreads, LibraryThing,

and Book Catalogue are popular apps for tracking your reading progress and managing book collections. Spreadsheets: You can create your own spreadsheet to track books read, ratings, and other details.

7. What are Mitsubishi Rvr Engine Manual audiobooks, and where can I find them? Audiobooks: Audio recordings of books, perfect for listening while commuting or multitasking. Platforms: Audible, LibriVox, and Google Play Books offer a wide selection of audiobooks.
8. How do I support authors or the book industry? Buy Books: Purchase books from authors or independent bookstores. Reviews: Leave reviews on platforms like Goodreads or Amazon. Promotion: Share your favorite books on social media or recommend them to friends.
9. Are there book clubs or reading communities I can join? Local Clubs: Check for local book clubs in libraries or community centers. Online Communities: Platforms like Goodreads have virtual book clubs and discussion groups.
10. Can I read Mitsubishi Rvr Engine Manual books for free? Public Domain Books: Many classic books are available for free as they're in the public domain. Free E-books: Some websites offer free e-books legally, like Project Gutenberg or Open Library.

### **Find Mitsubishi Rvr Engine Manual :**

~~final analysis an eisenmenger flemming forensic mystery~~

finansy i ekonomika ukrajina i vzgliad iz1994 g

*financing private enterprises and trade a guide for the transition economies*

### **film encyclopedia**

*financial impact of corporate events on corporate stakeholders*

*financial accounting/with student supplement*

### **final years of british hong kong the discourse of colonial withdrawel**

### **film library techniques**

*financing of busineb in singapore*

### **filemaker pro 4 companion**

### **finance and the international economy the amex bank review prize essays**

~~financial accounting pr~~

financial success money making reports

financial accounting raising issues and providing solutions



---

**financial liberalization the internal structure of capital markets in asia latin america**

**Mitsubishi Rvr Engine Manual :**

*flucht aus siebenbürgen naggaas tagebuch tagebuch des* - Nov 05 2022

web jul 1 2023 *flucht aus siebenbürgen naggaas tagebuch tagebuch des* web *flucht aus siebenbürgen naggaas tagebuch tagebuch des elends by monika görig maria*

**flucht aus siebenbürgen naggaas tagebuch tagebuch** - Aug 14 2023

web *flucht aus siebenbürgen naggaas tagebuch tagebuch des elends by monika görig maria schneider tagebuch auf weltbild ch passende angebote online kaufen tagebuch*

**flucht aus siebenbürgen naggaas tagebuch tagebuch des** - Nov 24 2021

web *flucht aus siebenbürgen naggaas tagebuch tagebuch des may 9th 2020 flucht aus siebenbürgen naggaas tagebuch tagebuch des elends von monika görig broschiert bei*

**flucht aus siebenbürgen naggaas tagebuch tagebuch pdf** - Oct 04 2022

web jul 10 2023 *may 24th 2020 vergleichen flucht aus siebenbürgen naggaas tagebuch tagebuch des elends görig isbn 9783850687928 232 s paperback isbn 9783850687928*

*tagebuch flucht aus deutschland pressenet* - Jan 27 2022

web *flucht aus siebenbürgen naggaas tagebuch tagebuch des elends 01 03 2013 von monika görig maria schneider über ihre erlebnisse hat mascha ein tagebuch geführt hier*

**flucht aus siebenbürgen naggaas tagebuch tagebuch des** - May 31 2022

web *geschichte als süße heimat wird das land im karpatenbogen in einem lied besungen regiert von vielen herrschern ungarern türken habsburgern bietet siebenbürgen bis*

*9783850687928 flucht aus siebenbürgen naggaas tagebuch* - Jun 12 2023

web *flucht aus siebenbürgen paperback naggaas bedeutet in der siebenbürgisch sächsischen landessprache elend und beschreibt in diesem buch den flucht aus*

*flucht aus siebenbürgen naggaas tagebuch tagebuch des* - Mar 09 2023

web *neue zeitschrift für österreich tagebuch flucht vertreibung neuanfang ihre geschichte tagebuch das ende der flucht aus siebenbürgen monika görig maria tagebuch*

**flucht aus siebenbürgen naggaas tagebuch tagebuch des** - Dec 06 2022

web *flucht aus siebenbürgen naggaas tagebuch tagebuch des elends by monika görig maria schneider flucht aus siebenbürgen von monika görig maria schneider buch aus*

**flucht aus siebenburgen naggaas tagebuch tagebuch pdf** - Aug 02 2022

web flucht aus siebenbürgen naggaas tagebuch tagebuch des may 9th 2020 flucht aus siebenbürgen naggaas tagebuch tagebuch des elends von monika görig broschiert bei

*so sah ich afrika tagebuch einer schiffsreise namibiana de* - Sep 22 2021

**flucht aus siebenbürgen naggaas tagebuch tagebuch des** - Oct 24 2021

web untertitel tagebuch einer schiffsreise autor helmut thielicke gütersloher verlagshaus gerd mohn 2 auflage gütersloh 1972 isbn 3579035355 isbn 3 579 03535 5 original

**flucht aus siebenbürgen naggaas tagebuch tagebuch des** - Feb 08 2023

web flucht aus siebenbürgen naggaas tagebuch tagebuch des web flucht aus siebenbürgen naggaas tagebuch tagebuch des elends by monika görig maria schneider april 25th

**flucht aus siebenbürgen naggaas tagebuch tagebuch des** - Jul 01 2022

web jun 9 2023 flucht aus siebenbürgen naggaas tagebuch tagebuch des elends by monika görig maria schneider beim heimattag der siebenbürger sachsen in wels im

*flucht aus siebenburgen naggaas tagebuch tagebuch pdf* - Jan 07 2023

web aug 17 2023 may 17th 2020 flucht aus siebenbürgen naggaas tagebuch tagebuch des elends weißkirch bei bistritz literaturhinweise flucht aus siebenbürgen erinnerungen

**flucht aus siebenbürgen naggaas tagebuch tagebuch des** - Apr 10 2023

web flucht aus siebenbürgen naggaas tagebuch tagebuch des elends by monika görig maria schneider deutsches tagebucharchiv siebenbuergen buch de buchversand südost

flucht von hakan günday als taschenbuch bücher de - Feb 25 2022

web ich habe ein tagebuch gefunden es stammt von meiner urgroßmutter mannheim soll evakuiert werden die straßen sind nicht mehr sicher es hat gebrannt tagebuch

flucht aus siebenburgen naggaas tagebuch tagebuch pdf copy - Mar 29 2022

web flucht gazâ ist neun jahre alt als er vom beruf seines vaters erfährt ahad ist schleuser und menschenhändler und gazâ wird ihm ein eifriger schüler gemeinsam nehmen sie

flucht aus siebenbürgen naggaas tagebuch tagebuch des - Jul 13 2023

web flucht aus siebenbürgen naggaas tagebuch tagebuch des elends finden sie alle bücher von görig monika schneider maria bei der büchersuchmaschine eurobuch at

siebenbürgen - Apr 29 2022

web jun 17 2023 flucht aus siebenburgen naggaas tagebuch tagebuch pdf web jun 2 2023 flucht aus siebenburgen naggaas tagebuch tagebuch pdf web int ende einer flucht

[flucht aus siebenbürgen naggaas tagebuch tagebuch des](#) - Dec 26 2021

web jun 8 2023 flucht aus siebenbürgen naggaas tagebuch tagebuch des elends by monika görig maria schneider schneider monika zvaab weißkirch bei bistritz

**flucht aus siebenbürgen naggaas tagebuch tagebuch des** - May 11 2023

web tagebuch aus dem siebenjährigen krieg uni goettingen de monika görig de nr 23 die evakuierung der volksdeutschen aus nord das ende der flucht aus siebenbürgen

[flucht aus siebenbürgen naggaas tagebuch tagebuch des](#) - Sep 03 2022

web jun 28 2023 flucht aus siebenburgen naggaas tagebuch tagebuch pdf jun 3 2023 flucht aus siebenburgen naggaas tagebuch tagebuch pdf int ende einer flucht ein

[solutions for semiconductor physics and devices 4th numerade](#) - Jun 15 2023

web step by step video answers explanations by expert educators for all semiconductor physics and devices 4th by donald a neamen only on numerade com

[neamen solution manual for semiconductor physics and devices](#) - Aug 05 2022

web oct 27 2014 neamen solution manual for semiconductor physics and devices 3ed 1 semiconductor physics and devices basic principles 3rd edition chapter 1 solutions manual problem solutions chapter 1 3 problem solutions 1 1 a fcc 8 corner atoms 1 8 1 atom 6 face atoms  $\frac{1}{2}$  3 atoms total of 4 atoms per unit cell b bcc 8 corner

[microelectronics circuit analysis and design 4th edition](#) - Jan 10 2023

web solutions for microelectronics circuit analysis and design view samples chapter section problem 1 1ep calculate the intrinsic carrier concentration in gallium arsenide and germanium at t 300k ans problem 1 2ep a calculate the majority and minority carrier concentrations in silicon at t 300k for i problem 1 3ep

**microelectronics neamen 4 edition solutions vdocuments net** - Apr 01 2022

web jan 21 2016 microelectronics circuit analysis and design 4th edition chapter 1 by d a neamen problem solutions 1 16 cm 2 s 5 321250026 0 nd 7 11450026 0 pd cm s 2 52 001 0010105 32106 1

[semiconductor physics and devices basic principles 4th edition neamen](#) - Mar 12 2023

web semiconductor physics and devices basic principles 4th edition neamen solutions manual 190411092014 free download as pdf file pdf text file txt or read online for free scd by donald neeman

**semiconductor physics and devices basic principles neamen 4th edition** - Oct 07 2022

web jan 10 2023 nov 7 2023 the download free semiconductor physics and devices basic principles neamen 4th edition

solution manual pdf all chapter solutions answers purpose of the fourth edition of this  
**semiconductor physics and devices 4th edition textbook solutions** - Apr 13 2023

web step by step solution in bcc body centered cubic structure the locations of atoms are at the corners and the body centered in fcc face centered cubic structure the locations of atoms are at the corners and the center of the cube in diamond structure six atoms are located on six cube faces showing two bonds

**semiconductor physics and devices neamen 4th edition solution** - May 02 2022

web studyguide for semiconductor physics and devices by neamen donald electronic circuit analysis fundamentals of semiconductor physics and devices semiconductor physics and devices neamen 4th edition solution manual downloaded from esource svb com by guest marisol giovanna complete guide to semiconductor devices courier

**semiconductor physics and devices neamen 4th solution** - Dec 29 2021

web devices 4th edition solution neamen donald download z library download books for free find bookssemiconductor physics and devices 4th edition solution semiconductor physics and devices basic principles by neamen donald a publication date 2003 topics semiconductors publisher boston mcgraw hill collection inlibrary

*solutions manual semiconductor physics devices basic principles 4th* - Jan 30 2022

web solutions manual semiconductor physics devices basic principles 4th edition neamen semiconductor studocu cesium e 1 90 ev kg m s 1 32 10 cm s 1 65 10 cm s kg m s

*semiconductor physics and devices neamen 4th edition solution* - Sep 06 2022

web and devices 4th edition solution neamen donald download z library download books for free find bookssemiconductor physics and devices 4th edition solution semiconductor physics and devices basic principles by neamen donald a publication date 2003 topics semiconductors

**donald a neamen 3rd edition solutions studocu** - Feb 28 2022

web nh fourth mode  $\psi_4 = A \sin kx$  where  $k = \frac{4\pi}{a}$  so  $e^{-4\pi} = \frac{2}{16}$  donald a neamen 3rd edition solutions course electronic devices eef215 33 documents students shared 33 documents in this course university birla institute of technology and science pilani

*semiconductor physics and devices 4th edition neaman pdf* - Jul 16 2023

web by d a neamen problem solutions chapter 1 problem solutions 1 a fcc 8 corner atoms 8 1 1 atom 6 face atoms 2 1 3 atoms total of 4 atoms per unit cell semiconductor physics and devices 4th edition neaman pdf course electric circuit eee101 35 documents

**semiconductor physics and devices 4th edition mcgraw hill** - Feb 11 2023

web custom courseware solutions teach your course your way professional services collaborate to optimize outcomes 4th

edition isbn10 0073529583 isbn13 9780073529585 by donald neamen neamen s semiconductor physics and devices deals with the electrical properties and characteristics of semiconductor materials and *semiconductor physics and devices neamen 4th edition solution* - Jul 04 2022

web 2 semiconductor physics and devices neamen 4th edition solution 2023 07 06 appendix a the hydrogen atom appendix b the harmonic oscillator appendix c perturbation theory appendix d tensors in cubic crystals appendix e

**solution manual for microelectronics circuit analysis and design 4th** - Dec 09 2022

web download view solution manual for microelectronics circuit analysis and design 4th edition by neamen as pdf for free words 2 075 pages 8 preview full text solution manual for microelectronics circuit analysis and design 4th edition by neamen wl1pxgeo3jlj

*semiconductor physics and devices solutions donald neamen* - Oct 19 2023

web semiconductor physics and devices basic principles 4th edition chapter 1 by d a neamen exercise solutions chapter 1 exercise solutions tyu 1 2 a number of atoms per 100 lattice plane ex 1 1 a number of atoms per unit cell surface density b volume density cm b number of atoms per 110 lattice plane cm ex 1 2

microelectronics neamen 4 edition solutions dokumen tips - Nov 27 2021

web microelectronics circuit analysis and design 4th edition chapter 1 by d a neamen problem solutions 1 36 is doubles for every 5c increase in temperature 1210 si a at t 300k for 120 5 10 t 295 ksi a

**semiconductor physics and devices basic principles semantic** - Jun 03 2022

web semiconductor physics and devices basic principles part i semiconductor material properties chapter 1 the crystal structure of solids chapter 2 introduction to quantum mechanics chapter 3 introduction to the quantum theory of solids chapter 4 the semiconductor in equilibrium chapter 5 carrier transport phenomena chapter 6

*neamen 4e solutions tyu microelectronics circuit analysis* - Aug 17 2023

web neamen 4e solutions tyu microelectronics circuit analysis and design 4 edition chapter 1 by d studocu 2 chapter i v minimal lecture notes habi jabi cam scanner 04 02 2023 16 omr answer sheet adsaf kularchor report asdaf □ □ □ □ □ □ □ □ □ □ class lecture of jfet 2 iut tyu2 vtvtvi 50 sin 2 60 0 π γ rk 10 Ω

**semiconductor physics and devices 4th edition neamen donald** - Nov 08 2022

web the use of power electronics is increasing in an exponential form the need of power devices to be faster block higher voltages and reduce their losses is leading to a fundamental change in the device architecture and choice of material

semiconductor physics and devices basic principles 4th edition neamen - May 14 2023

web semiconductor physics and devices basic principles 4th edition neamen solutions manual studocu semiconductor physics and devices basic principles 4th edition neamen

*semiconductor physics and devices 4th edition solutions quizlet* - Sep 18 2023

web now with expert verified solutions from semiconductor physics and devices 4th edition you ll learn how to solve your toughest homework problems our resource for semiconductor physics and devices includes answers to chapter exercises as well as detailed information to walk you through the process step by step

**vector word problems practice vectors khan academy** - Aug 03 2022

web vector word problems ccss math hsn vm a 3 google classroom you might need calculator michael is running some errands his first stop is 6 km 6 text km 6 km 6 start text space k m end text

5 2 vector addition and subtraction analytical methods - Jun 13 2023

web components of vectors for the analytical method of vector addition and subtraction we use some simple geometry and trigonometry instead of using a ruler and protractor as we did for graphical methods however the graphical method will still come in handy to visualize the problem by drawing vectors using the head to tail method

**vector addition the physics classroom** - Apr 11 2023

web 1 add the following vectors and determine the resultant 3 0 m s 45 deg and 5 0 m s 135 deg show hide answer and solution 2 add the following vectors and determine the resultant 5 0 m s 45 deg and 2 0 m s 180 deg show hide answer and solution 3 add the following vectors and determine the resultant 6 0 m s 225 deg and 2 0 m s 90 deg

**vector calculator symbolab** - Jun 01 2022

web what are the types of vectors the common types of vectors are cartesian vectors column vectors row vectors unit vectors and position vectors how do you add two vectors to add two vectors add the corresponding components from each vector example the sum of 1 3 and 2 4 is 1 2 3 4 which is 3 7 show more related

vector calculator math is fun - Sep 04 2022

web vector calculator enter values into magnitude and angle or x and y it will do conversions and sum up the vectors learn about vectors and dot products

**add vectors practice vectors khan academy** - Jul 14 2023

web choose 1 answer choice a a b c vec a vec b vec c a b c a with vector on top plus b with vector on top equals c with vector on top a a b c vec a vec b vec c a b c a with vector on top plus b with vector on top equals c

vector addition video lessons examples and solutions - Dec 27 2021

web solution draw the vector a draw the tail of vector b joined to the nose of vector a the vector a b is from the tail of a to the nose of b example given that find the sum of the vectors solution triangle law of vector addition in vector addition the intermediate letters must be the same

**challenge problems vectors** - Nov 06 2022

web challenge problems problem 1 vector addition 1 1 consider the two vectors shown in the figure below the magnitude of a 2 88 and the vector a makes an angle 33 7 with the positive x axis the magnitude of b 3 44 and the vector b makes an angle 35 5 with the positive x axis pointing down to the right as shown in the figure

*component addition i e analytical method of vector addition* - Jan 28 2022

web this pythagorean approach is a useful approach for adding any two vectors that are directed at right angles to one another a right triangle has two sides plus a hypotenuse so the pythagorean theorem is perfect for adding two right angle vectors but there are limits to the usefulness of the pythagorean theorem in solving vector addition problems

adding vectors algebraically graphically video khan academy - May 12 2023

web lesson 1 vectors vector intro for linear algebra real coordinate spaces adding vectors algebraically graphically multiplying a vector by a scalar vector examples scalar multiplication unit vectors intro unit vectors add vectors add vectors magnitude direction to component parametric representations of lines math linear algebra

**vector addition and subtraction the physics hypertextbook** - Feb 09 2023

web solution the forces point in the same direction so they add up the two original forces are east so the resultant is east f 350 n east no tricks here some problems are just easy to solve practice problem 2 two soccer players kick a

**vector addition the physics classroom** - Mar 10 2023

web the pythagorean theorem the pythagorean theorem is a useful method for determining the result of adding two and only two vectors that make a right angle to each other the method is not applicable for adding more than two vectors or for adding vectors that are not at 90 degrees to each other

**vector addition practice problems by leading lesson** - Oct 05 2022

web practice problems the vectors a b c and d are shown below using only vector addition express one of the vectors in terms of the others the following parallelogram has one corner at the origin the two neighboring corners are given by vectors a and b express the fourth corner as a vector a river flows with speed 10 m s in the northeast

vectors algebra all content math khan academy - Mar 30 2022

web recognizing vectors practice equivalent vectors finding the components of a vector comparing the components of vectors practice vectors intro 4 questions components of vectors from endpoints 4 questions

*vectors problems with solutions math10* - Feb 26 2022

web addition and subtraction of vectors sum of two vectors  $\vec{s}$  is the result of addition of  $\vec{a}$  and  $\vec{b}$  subtraction of vectors difference between addition and subtraction of vectors parallelogram rule for adding vectors  $\text{tex } \vec{a} \vec{b} \sqrt{\vec{a}^2 \vec{b}^2 + 2 \vec{a} \cdot \vec{b} \cos$

**vector addition solving problems with vectors jee 2024** - Dec 07 2022

web welcome to our channel in this video we dive into the fascinating world of vector addition and learn how to solve problems involving vectors join us as ou

**vector addition calculator** - Jul 02 2022

web jul 13 2023 vector addition formula adding vectors is easy especially when we have cartesian coordinates to be precise we simply add the numbers coordinate wise that means that the vector addition formula in 2d is as follows  $a \hat{i} + b \hat{j} + c \hat{k}$  and the one in 3d is  $a \hat{i} + b \hat{j} + c \hat{k}$

*parallelogram rule for vector addition video khan academy* - Apr 30 2022

web the parallelogram rule says that if we place two vectors so they have the same initial point and then complete the vectors into a parallelogram then the sum of the vectors is the directed diagonal that starts at the same point as the vectors created by sal khan

*vector addition and subtraction problems the physics* - Jan 08 2023

web vector addition vector components vector addition and subtraction discussion summary practice problems resources problems practice two people are pushing a disabled car one exerts a force of 200 n east the other a force of 150 n east what is the net force exerted on the car assume friction to be negligible

**5 1 vector addition and subtraction graphical methods** - Aug 15 2023

web using the graphical method of vector addition and subtraction to solve physics problems now that we have the skills to work with vectors in two dimensions we can apply vector addition to graphically determine the