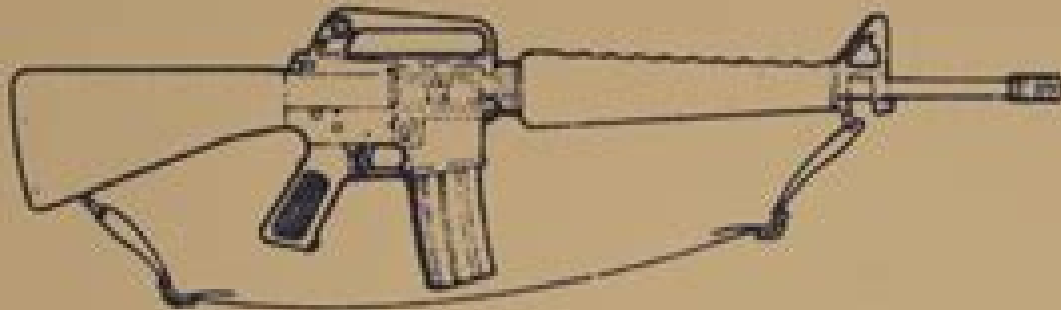


This is a reprint which includes current  
pages from Changes 1 and 2.

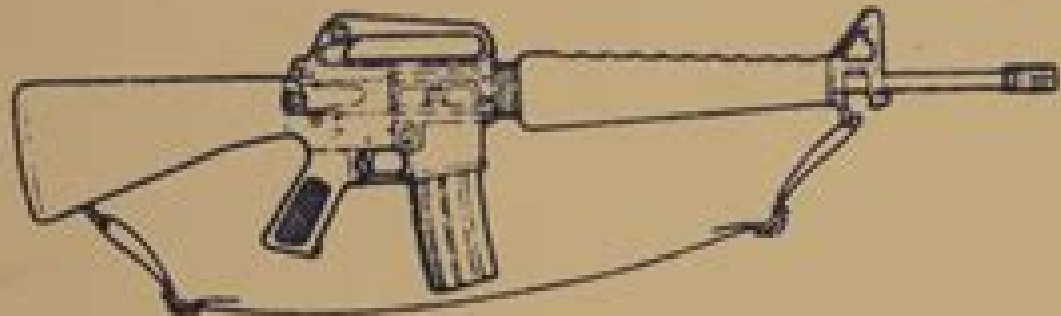
**TM 9-1005-249-10**



**OPERATOR'S MANUAL  
FOR**

**RIFLE, 5.56-MM, M16  
(1005-00-856-6885)**

**RIFLE, 5.56-MM, M16A1  
(1005-00-073-9421)**



**HEADQUARTERS, DEPARTMENT OF THE ARMY**

**FEBRUARY 1985**

# M16 Operators Manual

**N Noddings**



## **M16 Operators Manual:**

**U. S. Army Operator's Manual for M16, M16A1 Rifle** Department of,2010 Operator's Manual for Rifle, 5.56-mm, M16 (1005-00-856-6885), Rifle, 5.56-mm, M16A1 (1005-00-073-9421). ,1985 Operator's Manual for Rifle, 5.56-mm, M16, (1005-00-856-6885), Rifle, 5.56-mm, M16A1, (1005-00-073-9421). ,1986 **M16-M16a1 Operator's Manual** Harvey Norris,2015-02-16 M16 M16A1 Operator s Manual Issued by the US Military Operator's Manual for Truck, Utility, Cargo/troop Carrier, 1-1/4 Ton, 4x4, M998 (2320-01-107-7155) ... ,1986 **Operator's Manual for Night Vision Sight, Individual Served Weapon AN/PVS-2 (5855-087-2947), AN/PVS-2A (5855-179-3708), and AN/PVS-2B (5855-760-3869).** ,1989 M16/m4 Operator's Manual United States Army TM 9-1005-319-10,2010-06-30 This is US Army Manual TM 9 1005 319 10 June 2010 CHAPTER 1 GENERAL INFORMATION General Information Equipment Description and Data Location And Description of Major Components Theory of Operation CHAPTER 2 OPERATOR INSTRUCTIONS Description and Use of Operator s Controls and Indicators Operations Under Usual Conditions Operations Under Unusual Conditions Function Check 25 Meter Zeroing Procedures Installation of Equipment CHAPTER 3 OPERATOR TROUBLESHOOTING PROCEDURES Troubleshooting CHAPTER 4 OPERATOR MAINTENANCE INSTRUCTIONS Preventive Maintenance Checks and Services PMCS Disassembly Instructions Cleaning Instructions Inspection Instructions Lubrication Instructions Reassembly Instructions CHAPTER 5 AMMUNITION Ammunition CHAPTER 6 SUPPORTING INFORMATION References Components of End Item Basic Issue Items Additional Authorization Items Expendable Durable Supplies and Materials Alphabetical Index AIR FORCE TO 11W3 5 5 41 NAVY SW 370 BU OPI 010 Rev 1 , **Operator's Manual** ,1990 Operator's and Organizational Maintenance Manual ,1989 Military Marksmanship All M16 and M4 Series Weapons and Operator's Manual for Machine Gun 7. 62-mm, M60 dept of defense,2009 Combat Arms Training and Maintenance Rifle, Handgun, Shotgun, Grenade Launcher, M72 Light Antitank Weapon, Submachine Gun, and M249 Squad Automatic Weapon Training Programs United States. Department of the Air Force,1996 **Monthly Catalogue, United States Public Documents** ,1987 **Combat Arms Training and Maintenance Rifle, Handgun, Shotgun, Grenade Launcher, M72 Light Antitank Weapon, Submachine Gun, and M249 Squad Automatic Weapon Training Programs** ,1996 **Monthly Catalog of United States Government Publications** ,1992 **Airman Classification, October 31, 1994** ,1996 **Operator's Manual for 1/4 Ton, 4x4, M151 Series Vehicles** ,1983 Operator's Manual for Multiple Integrated Laser Engagement System (MILES) Simulator System, Firing, Laser, M80, AH-1S Attack Helicopter Weapon System, NSN 1270-01-165-6240 ,1984 **Pentium Processor User's Manual** ,1993 Pentium Processor Family User's Manual: Architecture and programming manual ,1994

If you ally habit such a referred **M16 Operators Manual** ebook that will come up with the money for you worth, acquire the definitely best seller from us currently from several preferred authors. If you desire to funny books, lots of novels, tale, jokes, and more fictions collections are along with launched, from best seller to one of the most current released.

You may not be perplexed to enjoy every books collections M16 Operators Manual that we will extremely offer. It is not as regards the costs. Its very nearly what you obsession currently. This M16 Operators Manual, as one of the most operational sellers here will totally be in the midst of the best options to review.

[https://staging.conocer.cide.edu/public/virtual-library/index.jsp/Growing\\_New\\_Macmillan\\_Reading\\_Program.pdf](https://staging.conocer.cide.edu/public/virtual-library/index.jsp/Growing_New_Macmillan_Reading_Program.pdf)

## **Table of Contents M16 Operators Manual**

1. Understanding the eBook M16 Operators Manual
  - The Rise of Digital Reading M16 Operators Manual
  - Advantages of eBooks Over Traditional Books
2. Identifying M16 Operators Manual
  - Exploring Different Genres
  - Considering Fiction vs. Non-Fiction
  - Determining Your Reading Goals
3. Choosing the Right eBook Platform
  - Popular eBook Platforms
  - Features to Look for in an M16 Operators Manual
  - User-Friendly Interface
4. Exploring eBook Recommendations from M16 Operators Manual
  - Personalized Recommendations
  - M16 Operators Manual User Reviews and Ratings
  - M16 Operators Manual and Bestseller Lists
5. Accessing M16 Operators Manual Free and Paid eBooks

- M16 Operators Manual Public Domain eBooks
  - M16 Operators Manual eBook Subscription Services
  - M16 Operators Manual Budget-Friendly Options
6. Navigating M16 Operators Manual eBook Formats
    - ePub, PDF, MOBI, and More
    - M16 Operators Manual Compatibility with Devices
    - M16 Operators Manual Enhanced eBook Features
  7. Enhancing Your Reading Experience
    - Adjustable Fonts and Text Sizes of M16 Operators Manual
    - Highlighting and Note-Taking M16 Operators Manual
    - Interactive Elements M16 Operators Manual
  8. Staying Engaged with M16 Operators Manual
    - Joining Online Reading Communities
    - Participating in Virtual Book Clubs
    - Following Authors and Publishers M16 Operators Manual
  9. Balancing eBooks and Physical Books M16 Operators Manual
    - Benefits of a Digital Library
    - Creating a Diverse Reading Collection M16 Operators Manual
  10. Overcoming Reading Challenges
    - Dealing with Digital Eye Strain
    - Minimizing Distractions
    - Managing Screen Time
  11. Cultivating a Reading Routine M16 Operators Manual
    - Setting Reading Goals M16 Operators Manual
    - Carving Out Dedicated Reading Time
  12. Sourcing Reliable Information of M16 Operators Manual
    - Fact-Checking eBook Content of M16 Operators Manual
    - Distinguishing Credible Sources
  13. Promoting Lifelong Learning
    - Utilizing eBooks for Skill Development

- Exploring Educational eBooks
- 14. Embracing eBook Trends
  - Integration of Multimedia Elements
  - Interactive and Gamified eBooks

### **M16 Operators Manual Introduction**

In this digital age, the convenience of accessing information at our fingertips has become a necessity. Whether its research papers, eBooks, or user manuals, PDF files have become the preferred format for sharing and reading documents. However, the cost associated with purchasing PDF files can sometimes be a barrier for many individuals and organizations. Thankfully, there are numerous websites and platforms that allow users to download free PDF files legally. In this article, we will explore some of the best platforms to download free PDFs. One of the most popular platforms to download free PDF files is Project Gutenberg. This online library offers over 60,000 free eBooks that are in the public domain. From classic literature to historical documents, Project Gutenberg provides a wide range of PDF files that can be downloaded and enjoyed on various devices. The website is user-friendly and allows users to search for specific titles or browse through different categories. Another reliable platform for downloading M16 Operators Manual free PDF files is Open Library. With its vast collection of over 1 million eBooks, Open Library has something for every reader. The website offers a seamless experience by providing options to borrow or download PDF files. Users simply need to create a free account to access this treasure trove of knowledge. Open Library also allows users to contribute by uploading and sharing their own PDF files, making it a collaborative platform for book enthusiasts. For those interested in academic resources, there are websites dedicated to providing free PDFs of research papers and scientific articles. One such website is Academia.edu, which allows researchers and scholars to share their work with a global audience. Users can download PDF files of research papers, theses, and dissertations covering a wide range of subjects. Academia.edu also provides a platform for discussions and networking within the academic community. When it comes to downloading M16 Operators Manual free PDF files of magazines, brochures, and catalogs, Issuu is a popular choice. This digital publishing platform hosts a vast collection of publications from around the world. Users can search for specific titles or explore various categories and genres. Issuu offers a seamless reading experience with its user-friendly interface and allows users to download PDF files for offline reading. Apart from dedicated platforms, search engines also play a crucial role in finding free PDF files. Google, for instance, has an advanced search feature that allows users to filter results by file type. By specifying the file type as "PDF," users can find websites that offer free PDF downloads on a specific topic. While downloading M16 Operators Manual free PDF files is convenient, its important to note that copyright laws must be respected. Always ensure that the PDF files you download are legally available for free.

Many authors and publishers voluntarily provide free PDF versions of their work, but its essential to be cautious and verify the authenticity of the source before downloading M16 Operators Manual. In conclusion, the internet offers numerous platforms and websites that allow users to download free PDF files legally. Whether its classic literature, research papers, or magazines, there is something for everyone. The platforms mentioned in this article, such as Project Gutenberg, Open Library, Academia.edu, and Issuu, provide access to a vast collection of PDF files. However, users should always be cautious and verify the legality of the source before downloading M16 Operators Manual any PDF files. With these platforms, the world of PDF downloads is just a click away.

### FAQs About M16 Operators Manual Books

**What is a M16 Operators Manual PDF?** A PDF (Portable Document Format) is a file format developed by Adobe that preserves the layout and formatting of a document, regardless of the software, hardware, or operating system used to view or print it. **How do I create a M16 Operators Manual PDF?** There are several ways to create a PDF: Use software like Adobe Acrobat, Microsoft Word, or Google Docs, which often have built-in PDF creation tools. Print to PDF: Many applications and operating systems have a "Print to PDF" option that allows you to save a document as a PDF file instead of printing it on paper. Online converters: There are various online tools that can convert different file types to PDF. **How do I edit a M16 Operators Manual PDF?** Editing a PDF can be done with software like Adobe Acrobat, which allows direct editing of text, images, and other elements within the PDF. Some free tools, like PDFescape or Smallpdf, also offer basic editing capabilities. **How do I convert a M16 Operators Manual PDF to another file format?** There are multiple ways to convert a PDF to another format: Use online converters like Smallpdf, Zamzar, or Adobe Acrobats export feature to convert PDFs to formats like Word, Excel, JPEG, etc. Software like Adobe Acrobat, Microsoft Word, or other PDF editors may have options to export or save PDFs in different formats. **How do I password-protect a M16 Operators Manual PDF?** Most PDF editing software allows you to add password protection. In Adobe Acrobat, for instance, you can go to "File" -> "Properties" -> "Security" to set a password to restrict access or editing capabilities. Are there any free alternatives to Adobe Acrobat for working with PDFs? Yes, there are many free alternatives for working with PDFs, such as: LibreOffice: Offers PDF editing features. PDFsam: Allows splitting, merging, and editing PDFs. Foxit Reader: Provides basic PDF viewing and editing capabilities. How do I compress a PDF file? You can use online tools like Smallpdf, ILovePDF, or desktop software like Adobe Acrobat to compress PDF files without significant quality loss. Compression reduces the file size, making it easier to share and download. Can I fill out forms in a PDF file? Yes, most PDF viewers/editors like Adobe Acrobat, Preview (on Mac), or various online tools allow you to fill out forms in PDF files by selecting text fields and entering information. Are there any

restrictions when working with PDFs? Some PDFs might have restrictions set by their creator, such as password protection, editing restrictions, or print restrictions. Breaking these restrictions might require specific software or tools, which may or may not be legal depending on the circumstances and local laws.

### Find M16 Operators Manual :

*growing new macmillan reading program*

**grimmy grimm in a class by himself**

~~growing up in louisiana 1913 to 1933~~

**grimmy king of the heap**

~~growing up white in apartheid south africa~~

~~growth of sociological theory the human nature knowledge and social change~~

grits on guns

~~growing up again~~

~~growing up mostly normal in the middle of nowhere a memoir~~

~~growing herbs~~

group and family therapy 1981

**growing populations changing landscapes**

growth triangles in asia a new approach to regional economic cooperation

growing up abolitionist the story of the garrison children

group counseling theory and process.

### M16 Operators Manual :

Upper Dash Removal? May 4, 2021 — Hey all! I need a bit of advice/info - I'm trying to retrieve my driver's license from the upper dash - it slid between the windshield and ... 2019 honda pilot, i need step by step to replace the dash Feb 27, 2021 — 2019 honda pilot, i need step by step to replace the dash panel - Answered by a verified Mechanic for Honda. how hard to take apart the entire dash??? Nov 6, 2005 — 30 minutes to a hr depends on how many times u have done it already like there are like 5 or 6 bolts that holds the dash on 10 mm and taking ... Dashboard Removal/Installation - Honda Manuals Honda EP3 Manual Online: Dashboard Removal/Installation. SRS components are located in this area. Review the SRS component locations (see page 23-13) and ... 2022 Instructions - www.collegehillshonda.com Pull away the door opening seal, and



remove the driver's dashboard side lid. DOOR OPENING. SEAL. (Pull away.) 3 CLIPS. 2 RETAINING. TABS. DRIVER'S. Honda Pilot 2016-up 99-7811 Feb 9, 2016 — Dash Disassembly. 1. Open the passenger door and remove the dash trim on the side of the dash. (Figure A). 2. Open the glove box and remove. 1995 Dakota Service Manual | PDF | Motor Oil 1995 Dakota Service Manual - Free ebook download as PDF File (.pdf), Text File (.txt) or read book online for free. 1995 Dakota Service Manual. Dodge Dakota 1994-1996.pdf Oct 25, 2015 — Dodge Dakota 1994-1996 - Chrysler Corporation Dodge Dakota pickup truck shop maintenance manual. 1500 pages pdf. 1994, 1995, 1996 - First ... Factory Service Manual - Dodge Dakota Mar 5, 2009 — Here are the Factory Service Manuals we have. Click the link to download. And go to free user and follow the prompts. 1995 Dodge Dakota PDF Dodge Dakota 1987-1996 Workshop Repair Manual ... Dodge Dakota Workshop Manual Download PDF 1987-1996. Covers all Service, Repair, Maintenance, Wiring Diagrams. Instant Download. Dodge Dakota 1987 to 1996 Service Workshop Repair ... Dodge Dakota 87-96 First generation Factory Service manual in PDF available on DISK OR Download. INSTANT BUY AND DOWNLOAD LINK HERE ! Dodge Dakota Repair & Service Manuals (101 PDF's 1990 Factory Dodge Dakota Service Repair Manual PDF. View pdf. Other Manuals ... Dodge Dakota 2wd Workshop Manual (V8-318 5.2L Magnum (1995)). View pdf. £9.99 ... Dodge Dakota repair manual, service manual online Jul 25, 2020 — Dodge Dakota repair manual, service manual online: 1990, 1991, 1992, 1993, 1994, 1995, 1996 Covered Years: All production years including 90, ... Dodge Dakota Service Repair Manuals | Free Pdf Free Online Pdf for Dodge Dakota Workshop Manuals , Dodge Dakota OEM Repair Manuals ... 1995 Dodge Dakota Service Repair Manual incl. Wiring Diagrams. This manual ... PDF Service Repair Manuals (FREE) - Dodge Dakota Forums Mar 5, 2010 — Could you send me the manual. I have a 2004 dodge Dakota SLT 6 Cyl 3.7 L and I am trying to replace the water pump , fan, belts, and a few other ... Dodge Dakota (1987 - 1996) Need to service or repair your Dodge Dakota 1987 - 1996? Online and print formats available. Save time and money when you follow the advice of Haynes' ... AGFA CR 35-X Service Manual | PDF Computed Radiography · AGFA - CR 35-X · Documents; Service Manual. AGFA CR 35-X Service Manual. Loading Document... AGFA - CR 35-X by AGFA. AGFA - CR 35-X. Manual Servicio CR 35 X PDF IMPORTANT: Preferably print this manual double-sided: This PDF manual contains empty pages at the end of several chapters, to have the next chapter starting ... Agfa CR35X-CR25X Service Manual PDF Agfa CR35X-CR25X Service Manual PDF. Uploaded by. aleseb.service. 100%(3)100% found this document useful (3 votes). 2K views. 555 pages. AI-enhanced title ... Agfa CR35 CR25 Service Manual PDF Purpose of this document This document explains the functional principle including the functions of the individual assemblies always under normal conditions ... service manual for agfa digitizer CR-35x Aug 23, 2023 — Dear Sir, Good afternoon I have a lot of problem with CR-35x and I do not have the CR-35x service manual, please. Could you please send us this service ... CR 35 NDT Plus HD-CR 35 NDT Plus The Installation and Operating Instructions must be accessible to all operators of the unit at all times. ... CR 35 NDT Plus / HD-CR 35 NDT Plus. Image Plate ... Installation, Operation & Maintenance Manual CR Series Roasters Installation,

Operation and Maintenance Manual. Table of ... CR-35, CR-140, and CR-280: Position the roast air cyclone so the outlet ... FISHER CR-35 SM Service Manual download ... Download FISHER CR-35 SM service manual & repair info for electronics experts. CR35 ROASTER GUIDE See section 1 of this document and the Installation, Operation, & Maintenance Manual for additional information. Additional considerations for the gas supply ... AGFA CR Series Service Manual View and Download AGFA CR Series service manual online. Digitizer. CR Series medical equipment pdf manual download. Also for: Cr 10-x, Cr reader, Cr 12-x, ...