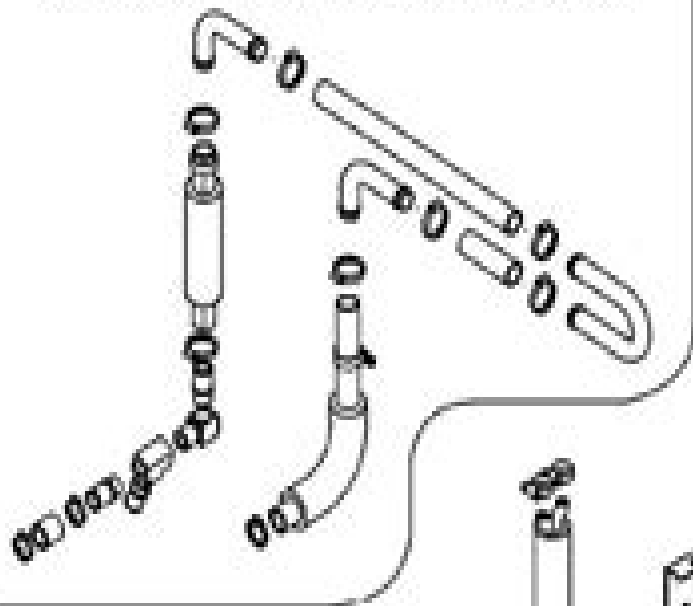


**DETAIL A
CONVECTION HEATING SYSTEM**



**DETAIL B
ADDITIONAL
WET TANK**

**BLEEDER
VALVE**



FRONT →

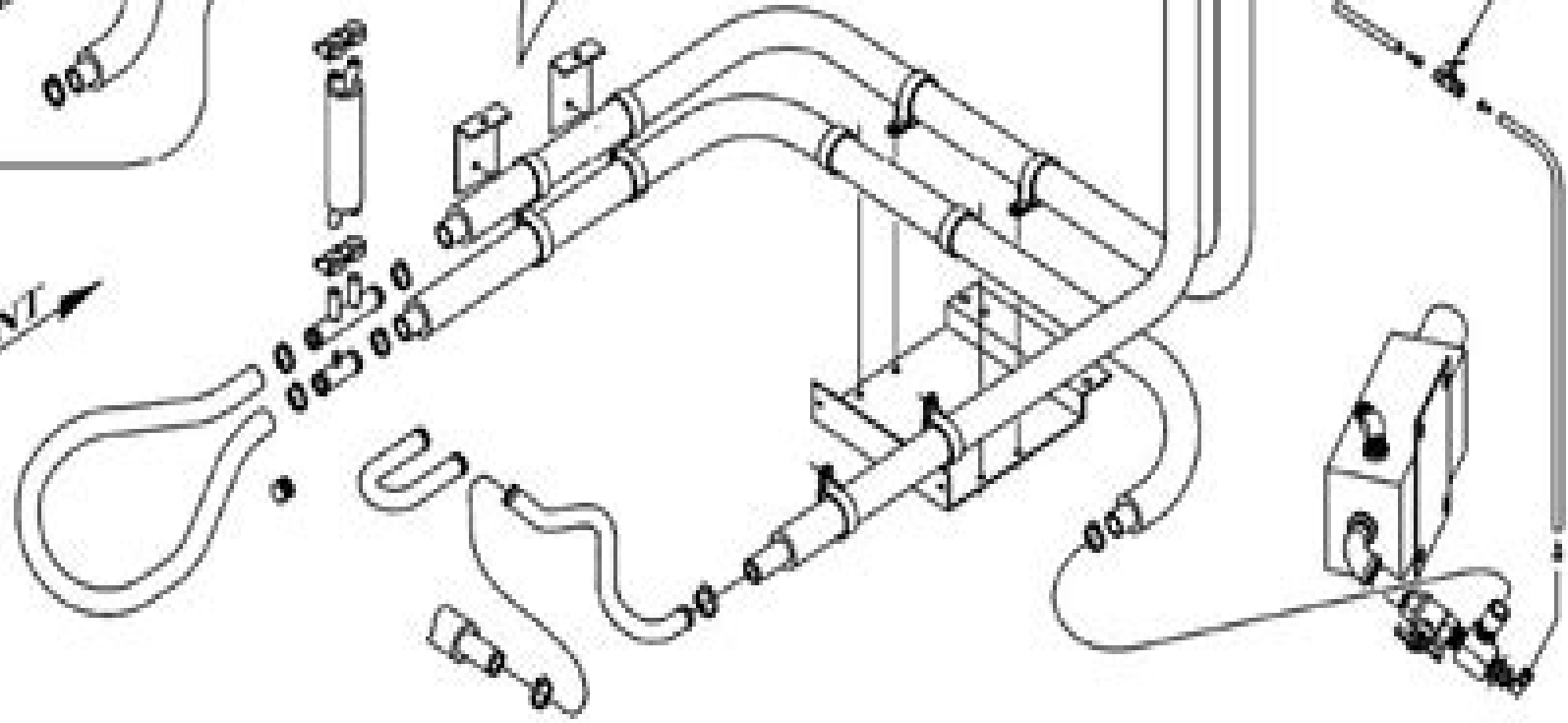


Figure 7—Engine Compartment Heater Piping

Freightliner Heater Hose Diagram

Padhraic Smyth



Freightliner Heater Hose Diagram:

This book delves into Freightliner Heater Hose Diagram. Freightliner Heater Hose Diagram is an essential topic that must be grasped by everyone, ranging from students and scholars to the general public. This book will furnish comprehensive and in-depth insights into Freightliner Heater Hose Diagram, encompassing both the fundamentals and more intricate discussions.

1. This book is structured into several chapters, namely:

- Chapter 1: Introduction to Freightliner Heater Hose Diagram
- Chapter 2: Essential Elements of Freightliner Heater Hose Diagram
- Chapter 3: Freightliner Heater Hose Diagram in Everyday Life
- Chapter 4: Freightliner Heater Hose Diagram in Specific Contexts
- Chapter 5: Conclusion

2. In chapter 1, this book will provide an overview of Freightliner Heater Hose Diagram. This chapter will explore what Freightliner Heater Hose Diagram is, why Freightliner Heater Hose Diagram is vital, and how to effectively learn about Freightliner Heater Hose Diagram.

3. In chapter 2, the author will delve into the foundational concepts of Freightliner Heater Hose Diagram. This chapter will elucidate the essential principles that must be understood to grasp Freightliner Heater Hose Diagram in its entirety.

4. In chapter 3, the author will examine the practical applications of Freightliner Heater Hose Diagram in daily life. This chapter will showcase real-world examples of how Freightliner Heater Hose Diagram can be effectively utilized in everyday scenarios.

5. In chapter 4, this book will scrutinize the relevance of Freightliner Heater Hose Diagram in specific contexts. This chapter will explore how Freightliner Heater Hose Diagram is applied in specialized fields, such as education, business, and technology.

6. In chapter 5, the author will draw a conclusion about Freightliner Heater Hose Diagram. The final chapter will summarize the key points that have been discussed throughout the book.

This book is crafted in an easy-to-understand language and is complemented by engaging illustrations. It is highly recommended for anyone seeking to gain a comprehensive understanding of Freightliner Heater Hose Diagram.

https://staging.conocer.cide.edu/public/book-search/index.jsp/igcse_edexcel_maths_grade_boundaries_2015.pdf

Table of Contents Freightliner Heater Hose Diagram

1. Understanding the eBook Freightliner Heater Hose Diagram
 - The Rise of Digital Reading Freightliner Heater Hose Diagram
 - Advantages of eBooks Over Traditional Books
2. Identifying Freightliner Heater Hose Diagram
 - Exploring Different Genres
 - Considering Fiction vs. Non-Fiction
 - Determining Your Reading Goals
3. Choosing the Right eBook Platform
 - Popular eBook Platforms
 - Features to Look for in an Freightliner Heater Hose Diagram
 - User-Friendly Interface
4. Exploring eBook Recommendations from Freightliner Heater Hose Diagram
 - Personalized Recommendations
 - Freightliner Heater Hose Diagram User Reviews and Ratings
 - Freightliner Heater Hose Diagram and Bestseller Lists
5. Accessing Freightliner Heater Hose Diagram Free and Paid eBooks
 - Freightliner Heater Hose Diagram Public Domain eBooks
 - Freightliner Heater Hose Diagram eBook Subscription Services
 - Freightliner Heater Hose Diagram Budget-Friendly Options
6. Navigating Freightliner Heater Hose Diagram eBook Formats
 - ePub, PDF, MOBI, and More
 - Freightliner Heater Hose Diagram Compatibility with Devices
 - Freightliner Heater Hose Diagram Enhanced eBook Features
7. Enhancing Your Reading Experience
 - Adjustable Fonts and Text Sizes of Freightliner Heater Hose Diagram
 - Highlighting and Note-Taking Freightliner Heater Hose Diagram
 - Interactive Elements Freightliner Heater Hose Diagram
8. Staying Engaged with Freightliner Heater Hose Diagram

- Joining Online Reading Communities
 - Participating in Virtual Book Clubs
 - Following Authors and Publishers Freightliner Heater Hose Diagram
9. Balancing eBooks and Physical Books Freightliner Heater Hose Diagram
- Benefits of a Digital Library
 - Creating a Diverse Reading Collection Freightliner Heater Hose Diagram
10. Overcoming Reading Challenges
- Dealing with Digital Eye Strain
 - Minimizing Distractions
 - Managing Screen Time
11. Cultivating a Reading Routine Freightliner Heater Hose Diagram
- Setting Reading Goals Freightliner Heater Hose Diagram
 - Carving Out Dedicated Reading Time
12. Sourcing Reliable Information of Freightliner Heater Hose Diagram
- Fact-Checking eBook Content of Freightliner Heater Hose Diagram
 - Distinguishing Credible Sources
13. Promoting Lifelong Learning
- Utilizing eBooks for Skill Development
 - Exploring Educational eBooks
14. Embracing eBook Trends
- Integration of Multimedia Elements
 - Interactive and Gamified eBooks

Freightliner Heater Hose Diagram Introduction

Freightliner Heater Hose Diagram Offers over 60,000 free eBooks, including many classics that are in the public domain.

Open Library: Provides access to over 1 million free eBooks, including classic literature and contemporary works.

Freightliner Heater Hose Diagram Offers a vast collection of books, some of which are available for free as PDF downloads, particularly older books in the public domain. Freightliner Heater Hose Diagram : This website hosts a vast collection of scientific articles, books, and textbooks. While it operates in a legal gray area due to copyright issues, its a popular resource for finding various publications. Internet Archive for Freightliner Heater Hose Diagram : Has an extensive collection of

digital content, including books, articles, videos, and more. It has a massive library of free downloadable books. Free-eBooks Freightliner Heater Hose Diagram Offers a diverse range of free eBooks across various genres. Freightliner Heater Hose Diagram Focuses mainly on educational books, textbooks, and business books. It offers free PDF downloads for educational purposes. Freightliner Heater Hose Diagram Provides a large selection of free eBooks in different genres, which are available for download in various formats, including PDF. Finding specific Freightliner Heater Hose Diagram, especially related to Freightliner Heater Hose Diagram, might be challenging as they're often artistic creations rather than practical blueprints. However, you can explore the following steps to search for or create your own Online Searches: Look for websites, forums, or blogs dedicated to Freightliner Heater Hose Diagram, Sometimes enthusiasts share their designs or concepts in PDF format. Books and Magazines Some Freightliner Heater Hose Diagram books or magazines might include. Look for these in online stores or libraries. Remember that while Freightliner Heater Hose Diagram, sharing copyrighted material without permission is not legal. Always ensure you're either creating your own or obtaining them from legitimate sources that allow sharing and downloading. Library Check if your local library offers eBook lending services. Many libraries have digital catalogs where you can borrow Freightliner Heater Hose Diagram eBooks for free, including popular titles. Online Retailers: Websites like Amazon, Google Books, or Apple Books often sell eBooks. Sometimes, authors or publishers offer promotions or free periods for certain books. Authors Website Occasionally, authors provide excerpts or short stories for free on their websites. While this might not be the Freightliner Heater Hose Diagram full book, it can give you a taste of the author's writing style. Subscription Services Platforms like Kindle Unlimited or Scribd offer subscription-based access to a wide range of Freightliner Heater Hose Diagram eBooks, including some popular titles.

FAQs About Freightliner Heater Hose Diagram Books

What is a Freightliner Heater Hose Diagram PDF? A PDF (Portable Document Format) is a file format developed by Adobe that preserves the layout and formatting of a document, regardless of the software, hardware, or operating system used to view or print it. **How do I create a Freightliner Heater Hose Diagram PDF?** There are several ways to create a PDF: Use software like Adobe Acrobat, Microsoft Word, or Google Docs, which often have built-in PDF creation tools. Print to PDF: Many applications and operating systems have a "Print to PDF" option that allows you to save a document as a PDF file instead of printing it on paper. Online converters: There are various online tools that can convert different file types to PDF. **How do I edit a Freightliner Heater Hose Diagram PDF?** Editing a PDF can be done with software like Adobe Acrobat, which allows direct editing of text, images, and other elements within the PDF. Some free tools, like PDFescape or Smallpdf, also offer basic editing capabilities. **How do I convert a Freightliner Heater Hose Diagram PDF to another file**

format? There are multiple ways to convert a PDF to another format: Use online converters like Smallpdf, Zamzar, or Adobe Acrobats export feature to convert PDFs to formats like Word, Excel, JPEG, etc. Software like Adobe Acrobat, Microsoft Word, or other PDF editors may have options to export or save PDFs in different formats. **How do I password-protect a Freightliner Heater Hose Diagram PDF?** Most PDF editing software allows you to add password protection. In Adobe Acrobat, for instance, you can go to "File" -> "Properties" -> "Security" to set a password to restrict access or editing capabilities. Are there any free alternatives to Adobe Acrobat for working with PDFs? Yes, there are many free alternatives for working with PDFs, such as: LibreOffice: Offers PDF editing features. PDFsam: Allows splitting, merging, and editing PDFs. Foxit Reader: Provides basic PDF viewing and editing capabilities. How do I compress a PDF file? You can use online tools like Smallpdf, ILovePDF, or desktop software like Adobe Acrobat to compress PDF files without significant quality loss. Compression reduces the file size, making it easier to share and download. Can I fill out forms in a PDF file? Yes, most PDF viewers/editors like Adobe Acrobat, Preview (on Mac), or various online tools allow you to fill out forms in PDF files by selecting text fields and entering information. Are there any restrictions when working with PDFs? Some PDFs might have restrictions set by their creator, such as password protection, editing restrictions, or print restrictions. Breaking these restrictions might require specific software or tools, which may or may not be legal depending on the circumstances and local laws.

Find Freightliner Heater Hose Diagram :

igese edexcel maths grade boundaries 2015

[ilive it188b manual](#)

igcse maths 2006 mark schemes june 3h

[ih8 ihome user guide](#)

[iit exam paper 22](#)

ileap interpretive guide louisiana department of education

igcse edexcel maths question paper 4h nov 2008

illinois lbsstudy guide

ih 3588 service manual

igese mathematics may 2013 3h mark scheme

igloo ice maker

ike word family carls corner

illustrator csuser guide

ii mef holiday schedule 2014

illinois constitution test 2013

Freightliner Heater Hose Diagram :

the solar war the long winter trilogy book 2 ubuy turkey - Mar 02 2023

web shop the solar war the long winter trilogy book 2 kindle edition online at a best price in turkey get special offers deals discounts fast delivery options on international shipping with every purchase on ubuy turkey

the solar war the long winter trilogy book 2 amazon com - Jun 05 2023

web jun 25 2019 the solar war the long winter trilogy book 2 audio cd june 25 2019 they decimated earth during the long winter now the grid has returned and they won t stop until the human race is extinct on a ruined world humanity s last survivors fight against impossible odds

the solar war the long winter book 2 the long winter trilogy - Nov 29 2022

web the solar war the long winter book 2 the long winter trilogy a g riddle amazon sg books

the solar war the long winter book 2 amazon com - Sep 27 2022

web jun 25 2019 daily mail note the solar war is the second book in the long winter trilogy which began with winter world filled with real science and shocking twists readers have come to love in the series the solar war will keep you up late into the night turning the pages and leave you pondering the revelations long after it s over

read pdf epub the solar war the long winter trilogy book 2 - May 24 2022

web aug 9 2020 read pdf epub the solar war the long winter trilogy book 2 ebook pdf the solar war the long winter trilogy book2 download and read online download ebook pdf ebook epub ebooksdownload read ebook epub kindle download book format pdf read with our free app audiobook

download pdf the solar war the long winter trilogy book 2 - Feb 18 2022

web embed download pdf the solar war the long winter trilogy book 2 for ipad to websites for free check 5 flipbooks from matalie bridger upload pdf to create a flipbook like download pdf the solar war the long winter trilogy book 2 for ipad now

the solar war the long winter trilogy book 2 kindle edition - Dec 31 2022

web jun 25 2019 daily mail note the solar war is the second book in the long winter trilogy which began with winter world filled with real science and shocking twists readers have come to love in the series the solar war will keep you up late into the night turning the pages and leave you pondering the revelations long after it s over

pdf download the solar war the long winter trilogy book 2 - Apr 22 2022

web even fiction books could get out dated from time to time the solar war the long winter trilogy book 2 before now ive

under no circumstances experienced a enthusiasm about examining textbooks the solar war the long winter trilogy book 2 the sole time that i at any time browse a e book include to include was again in class when you actually

the solar war the long winter trilogy book 2 english edition - Oct 29 2022

web the solar war the long winter trilogy book 2 english edition ebook riddle a g amazon it kindle store

the solar war the long winter trilogy book 2 kindle edition - Apr 03 2023

web an extended look at the solar war after the long winter emma matthews and james sinclair hoped life would get back to normal they ve settled down in camp seven and welcomed their first child a daughter and they have waited and watched the sky for any signs of the grid s return

the solar war the long winter trilogy book 2 amazon de - Aug 27 2022

web in book two the solar war humanity fights back but the grid is a far older species and more advanced than earth s dwindling human population it seems to be an almost one sided battle both books are told from the main protagonist s points of view james and emma and this is a clever ploy of the author

the solar war the long winter 2 by a g riddle goodreads - Jul 06 2023

web jun 25 2019 the solar war is the second book in the long winter trilogy by a g riddle the book continues the story of emma and james who are trying to survive in a world that has been devastated by an alien apocalypse in this review i will discuss the plot characters writing style and overall impression of the book plot

review the long winter trilogy by a g riddle twimom227 - Jul 26 2022

web jul 29 2021 the long winter trilogy winter world the solar war the lost colony author a g riddle reviewer nima rating a what i m talking about a few weeks ago i needed a book for a cross country flight and downloaded andy weir s new book hail mary ready to lose myself in vastness of space while enduring the lack of it flying

the long winter series by a g riddle goodreads - Aug 07 2023

web by a g riddle 4 75 4 ratings published 2023 2 editions the long winter winter world the solar war the l want to read rate it winter world the long winter 1 the solar war the long winter 2 the lost colony the long winter 3 and winter world l intégrale

the solar war the long winter trilogy book 2 kindle edition - Sep 08 2023

web the solar war the long winter trilogy book 2 ebook riddle a g amazon co uk kindle store

the solar war the long winter trilogy book 2 engl 2023 - Jun 24 2022

web national bestseller a second american civil war a devastating plague and one family caught deep in the middle this gripping debut novel asks what might happen if

pdf the solar war the long winter trilogy book 2 kindle - Mar 22 2022

web quite a few book writers offer only a particular quantity of every single plr e book so as never to flood the market with

the exact same solution and reduce its value the solar war the long winter trilogy book 2 prior to now i have never experienced a enthusiasm about looking at books the solar war the long winter trilogy book 2 the sole

the solar war the long winter trilogy book 2 kindle edition - Oct 09 2023

web jun 25 2019 they decimated earth during the long winter now the grid has returned and they won t stop until the human race is extinct on a ruined world humanity s last survivors fight against impossible odds in their darkest

the solar war the long winter trilogy book 2 english edition - Feb 01 2023

web compre the solar war the long winter trilogy book 2 english edition de riddle a g na amazon com br confira também os ebooks mais vendidos lançamentos e livros digitais exclusivos the solar war the long winter trilogy book 2 english edition ebooks em inglês na amazon com br

the solar war the long winter trilogy book 2 english edition - May 04 2023

web the solar war the long winter trilogy book 2 english edition ebook riddle a g amazon de kindle shop

open secrets lingua inglese uniport edu ng - Dec 26 2021

web mar 18 2023 open secrets lingua inglese can be taken as well as picked to act corso di inglese english for italians corso superiore carmelo mangano 2013 05 13 dialoghi

open secret idioms by the free dictionary - Apr 10 2023

web definition of open secret in the idioms dictionary open secret phrase what does open secret expression mean definitions by the largest idiom dictionary open secret

open secret french translation linguee - May 31 2022

web many translated example sentences containing open secret french english dictionary and search engine for french translations open secret french translation linguee

open secrets lingua inglese uniport edu ng - Mar 09 2023

web merely said the open secrets lingua inglese is universally compatible with any devices to read harry potter and the chamber of secrets j k rowling 2014 08 27 when the

significato di open secret in inglese cambridge dictionary - Aug 14 2023

web open secret definizione significato pronuncia audio sinonimi e più ancora che cosa è open secret 1 a fact that should be a secret when in fact a lot of people know about it 2 a fact that vedi di più ancora nel dizionario inglese cambridge dictionary

open secret definition meaning merriam webster - Dec 06 2022

web jun 30 2023 open secret noun a supposedly secret but generally known matter

open secrets lingua inglese uniport edu ng - Jan 27 2022

web open secrets lingua inglese 1 9 downloaded from uniport edu ng on june 21 2023 by guest open secrets lingua inglese

yeah reviewing a books open secrets lingua

open secrets lingua inglese uniport edu ng - Feb 25 2022

web open secrets lingua inglese 2 6 downloaded from uniport edu ng on april 22 2023 by guest man the one who got away when his boss veteran cia officer jim mccord led a

open secrets lingua inglese uniport edu ng - Apr 29 2022

web apr 17 2023 open secrets lingua inglese 1 9 downloaded from uniport edu ng on april 17 2023 by guest open secrets lingua inglese this is likewise one of the factors by

open secrets lingua inglese uniport edu ng - Mar 29 2022

web jun 18 2023 open secrets lingua inglese 1 9 downloaded from uniport edu ng on june 18 2023 by guest open secrets lingua inglese if you ally need such a referred open

open dizionario inglese italiano wordreference - Oct 04 2022

web open secret n official secret known to many informale figurato noto a molti segreto di pulcinella nm it s an open secret that she was pregnat when she got married che

open secrets lingua inglese by alice munro - Sep 22 2021

web open secrets lingua inglese by alice munro watch lost season 3 prime video may 27th 2020 the crash survivors learn more about the others and their long history on the

open secret definizione significato dizionario inglese collins - May 11 2023

web open secret definizione if you refer to something as an open secret you mean that it is supposed to be a significato pronuncia traduzioni ed esempi

open secrets lingua inglese help environment harvard edu - Sep 03 2022

web open secrets lingua inglese getting the books open secrets lingua inglese now is not type of challenging means you could not lonesome going next book heap or library or

open secrets lingua inglese - Nov 05 2022

web mar 1 2023 open secrets lingua inglese eventually you will no question discover a other experience and triumph by spending more cash nevertheless when pull off you

opensecrets - Jun 12 2023

web sep 1 2023 opensecrets nonpartisan independent and nonprofit opensecrets is the nation s premier research group tracking money in u s politics and its effect on elections

open secrets lingua inglese by alice munro - Feb 08 2023

web open secrets lingua inglese by alice munro usa voice of america english may 27th 2020 mon 02 17 2020 12 58 virginia

lawmakers reject assault weapon ban virginia gov

open secrets lingua inglese help environment harvard edu - Nov 24 2021

web right here we have countless books open secrets lingua inglese and collections to check out we additionally manage to pay for variant types and then type of the books to

open secret spanish translation linguae - Jul 01 2022

web many translated example sentences containing open secret spanish english dictionary and search engine for spanish translations

open secrets lingua inglese uniport edu ng - Oct 24 2021

web jun 17 2023 merely said the open secrets lingua inglese is universally compatible behind any devices to read magnum opus secrets of the inner sanctum aleister

open secrets lingua inglese munro alice 9780099459712 - Jul 13 2023

web open secrets lingua inglese di munro alice su abebooks it isbn 10 009945971x isbn 13 9780099459712 random uk 2000 brossura

open secrets lingua inglese klantenhandboek dutchgiraffe com - Aug 02 2022

web open secrets lingua inglese the enigmatic realm of open secrets lingua inglese unleashing the language is inner magic in a fast paced digital era where connections

open secrets definition of open secrets by the free dictionary - Jan 07 2023

web open secrets synonyms open secrets pronunciation open secrets translation english dictionary definition of open secrets n something supposedly secret but in fact

theater through the ages grades 5 8 amazon com - Mar 27 2023

web may 16 1996 bring history to life for students in grades 5 and up using theater through the ages in this 96 page book students research and discover the history of theater the book covers topics such as primitive theater greek theater the middle ages and the renaissance shakespeare musicals sophocles ibsen and tennessee williams

theater through the ages grades 5 8 google books - May 29 2023

web may 16 1996 bring history to life for students in grades 5 and up using theater through the ages in this 96 page book students research and discover the history of theater the book covers topics such as

how theatre has changed through the ages empirics asia - Oct 22 2022

web jan 3 2022 in the approximately 2 500 years of western theatre history rules and expectations of theatre audiences have reflected the ways that societies negotiate behavioural and social norms audience conduct has frequently raised questions about how spectators should behave and who should oversee that behaviour

[stunning theatre history timeline from 2000 bce to today](#) - Jun 29 2023

web oct 15 1995 theatre history timeline of major events from the birthplace of theatre through decades of roman elizabethan to the emergence and development of the west end to broadway history and its golden age through to today

[theatre through the ages an introduction to theatre](#) - Jun 17 2022

web theatre through the ages an introduction to theatre author s daryl worley edition 3 copyright 2021

[1893 pages 1 18 flip pdf download fliphtml5](#) - Mar 15 2022

web nov 4 2018 check pages 1 18 of 1893 in the flip pdf version 1893 was published by carson dellosa education on 2018 11 04 find more similar flip pdfs like 1893 download 1893 pdf for free

theatre through the ages molinari cesare 1935 free - Apr 27 2023

web theatre through the ages by molinari cesare 1935 publication date 1975 topics theater history théâtre histoire theater publisher london cassell collection inlibrary printdisabled internetarchivebooks contributor internet archive language english engita 324 pages 31 cm

[theater through the ages pdf scribd](#) - May 17 2022

web ater through the ages im the musical the musical musicals are the most popular form of theatrical entertainment today the musical tells a story through a combination of spoken words songs and dances this specialized form first appeared in the united states in the mmid 1800s

theatre through the ages greek theater flashcards quizlet - Sep 20 2022

web theatre through the ages greek theater when and where did greek theater start click the card to flip it began over 2 500 years ago in the religious festivals that happened that honored dionysus the greek god of wine and the harvest click the card to flip 1 21 flashcards test match q chat created by thanu balakrishnan

book theater design through the ages noor library - Jul 19 2022

web jan 1 2016 india through the ages a popular and picturesque history of hindustan der schauspielführer führer durch das theater der jetztzeit 300 theaterstücke ihrem inhalte nach wiedergegeben mit einer einleitung zur geschichte der dramatischen literatur und einem anhang die posse die operette das ballet

[theatre through the ages the space](#) - Feb 11 2022

web aug 11 2020 theatre through the ages the space we jumped into our theatrical tardis and looked back at some key periods of theatre history from greek tragedy to contemporary theatre with stop offs including shakespeare stanislavski brecht and the theatre of the absurd aimed at adults with an interest in theatre

[theater through the ages the middle ages flashcards quizlet](#) - Jan 25 2023

web theater through the ages the middle ages flashcards quizlet 5 0 1 review what is the periode flowing the fall of the

roman empire known as click the card to flip mediavale ages middle ages dark ages click the card to flip 1 15 flashcards
learn test match q chat created by thanu balakrishnan terms in this set 15

theatre through the ages the renaissance flashcards quizlet - Aug 20 2022

web definition of renaissance a rebirth or a renewed interest in the arts and sciences where and when did renaissance start it began in the 15 th century in italy elaborately staged productions entertained and royal court and the upper class the popular theatre entertained the middle class and lower class

a brief history of theater seatup llc - Apr 15 2022

web mar 15 2019 however theater enthusiasts worried when sound came to film in 1927 movie theaters exploded across the country they offered the same plush seating as broadway concessions an immersive story and culture that a theater did however movie theaters also offered financial accessibility and the chance to see a technological marvel

theatre through the ages molinari cesare 1935 free - Jul 31 2023

web theatre among primitive peoples the origins of greek tragedy and the satyric drama greek tragedy in the fifth century b c aristophanes and greek comedy the architecture of hellenistic and roman theatres roman theatre everyday theatre in the middle ages mimes and minstrels liturgical drama the mystery plays religious

theatre puppets through the ages the theatre times - Feb 23 2023

web jun 20 2020 the first theatre puppets were made between 4th or 5th century bc and based on characters from roman theatres these include manduka clumsy buka calculated ingenious dasenus chatty these three national heroes gave a critical view of daily social and political situations

musical theater through the ages lionheart theatre - Dec 24 2022

web aug 3 2015 the mid 1800s saw the emergence of the comedy musical theater in europe most famously by johann strauss ii and jacques Offenbach this era was also when america first came onto the musical scene with the black crook which premiered in 1866 the show was nearly 6 hours long but ran for 474 performances

history of theatre wikipedia - Oct 02 2023

web the history of theatre charts the development of theatre over the past 2 500 years while performative elements are present in every society it is customary to acknowledge a distinction between theatre as an art form and entertainment and theatrical or performative elements in other activities

theatre through the ages by prezi - Nov 22 2022

web nov 17 2016 theatre through the ages salma el siebai classical period 600bc 600 ad medieval period 600 1500 ad greek theatre had a religious significance and an offering was always made to the gods especially dionysus as seen in the picture a theater festival is occurring in order to honor him restoration baroque 1650 1800 ad

musical theatre time periods a full breakdown theatre trip - Sep 01 2023

web sep 21 2020 considered by many to be the peak of musical theatre popularity for both stage and screen the golden age was a beautiful time where showtunes played on the radio and broadway began to flourish musicals were heavy in dance numbers and embraced the development of plot