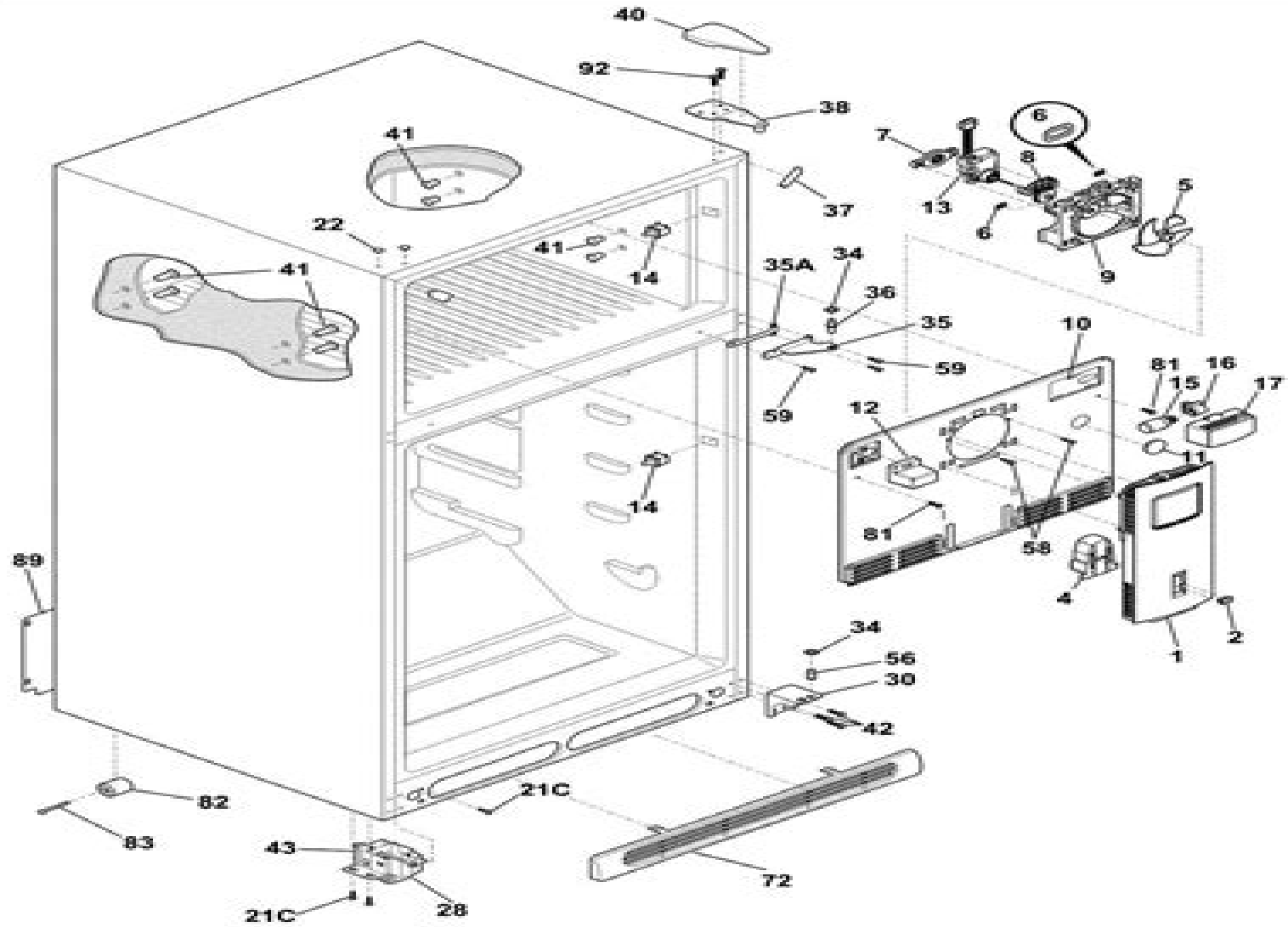


CABINET



CAFGR1837TE0

# Frigidaire Zer Parts Diagram

**M Woodhall**



**Frigidaire Zer Parts Diagram:**

## **Frigidaire Zer Parts Diagram** Book Review: Unveiling the Magic of Language

In an electronic era where connections and knowledge reign supreme, the enchanting power of language has become more apparent than ever. Its power to stir emotions, provoke thought, and instigate transformation is really remarkable. This extraordinary book, aptly titled "**Frigidaire Zer Parts Diagram**," published by a very acclaimed author, immerses readers in a captivating exploration of the significance of language and its profound impact on our existence. Throughout this critique, we will delve to the book's central themes, evaluate its unique writing style, and assess its overall influence on its readership.

<https://staging.conocer.cide.edu/public/Resources/default.aspx/Motor%20Isuzu%20Rodeo%2099.pdf>

### **Table of Contents Frigidaire Zer Parts Diagram**

1. Understanding the eBook Frigidaire Zer Parts Diagram
  - The Rise of Digital Reading Frigidaire Zer Parts Diagram
  - Advantages of eBooks Over Traditional Books
2. Identifying Frigidaire Zer Parts Diagram
  - Exploring Different Genres
  - Considering Fiction vs. Non-Fiction
  - Determining Your Reading Goals
3. Choosing the Right eBook Platform
  - Popular eBook Platforms
  - Features to Look for in an Frigidaire Zer Parts Diagram
  - User-Friendly Interface
4. Exploring eBook Recommendations from Frigidaire Zer Parts Diagram
  - Personalized Recommendations
  - Frigidaire Zer Parts Diagram User Reviews and Ratings
  - Frigidaire Zer Parts Diagram and Bestseller Lists

5. Accessing Frigidaire Zer Parts Diagram Free and Paid eBooks
  - Frigidaire Zer Parts Diagram Public Domain eBooks
  - Frigidaire Zer Parts Diagram eBook Subscription Services
  - Frigidaire Zer Parts Diagram Budget-Friendly Options
6. Navigating Frigidaire Zer Parts Diagram eBook Formats
  - ePub, PDF, MOBI, and More
  - Frigidaire Zer Parts Diagram Compatibility with Devices
  - Frigidaire Zer Parts Diagram Enhanced eBook Features
7. Enhancing Your Reading Experience
  - Adjustable Fonts and Text Sizes of Frigidaire Zer Parts Diagram
  - Highlighting and Note-Taking Frigidaire Zer Parts Diagram
  - Interactive Elements Frigidaire Zer Parts Diagram
8. Staying Engaged with Frigidaire Zer Parts Diagram
  - Joining Online Reading Communities
  - Participating in Virtual Book Clubs
  - Following Authors and Publishers Frigidaire Zer Parts Diagram
9. Balancing eBooks and Physical Books Frigidaire Zer Parts Diagram
  - Benefits of a Digital Library
  - Creating a Diverse Reading Collection Frigidaire Zer Parts Diagram
10. Overcoming Reading Challenges
  - Dealing with Digital Eye Strain
  - Minimizing Distractions
  - Managing Screen Time
11. Cultivating a Reading Routine Frigidaire Zer Parts Diagram
  - Setting Reading Goals Frigidaire Zer Parts Diagram
  - Carving Out Dedicated Reading Time
12. Sourcing Reliable Information of Frigidaire Zer Parts Diagram
  - Fact-Checking eBook Content of Frigidaire Zer Parts Diagram
  - Distinguishing Credible Sources
13. Promoting Lifelong Learning

- 
- Utilizing eBooks for Skill Development
  - Exploring Educational eBooks
14. Embracing eBook Trends
- Integration of Multimedia Elements
  - Interactive and Gamified eBooks

### **Frigidaire Zer Parts Diagram Introduction**

Free PDF Books and Manuals for Download: Unlocking Knowledge at Your Fingertips In today's fast-paced digital age, obtaining valuable knowledge has become easier than ever. Thanks to the internet, a vast array of books and manuals are now available for free download in PDF format. Whether you are a student, professional, or simply an avid reader, this treasure trove of downloadable resources offers a wealth of information, conveniently accessible anytime, anywhere. The advent of online libraries and platforms dedicated to sharing knowledge has revolutionized the way we consume information. No longer confined to physical libraries or bookstores, readers can now access an extensive collection of digital books and manuals with just a few clicks. These resources, available in PDF, Microsoft Word, and PowerPoint formats, cater to a wide range of interests, including literature, technology, science, history, and much more. One notable platform where you can explore and download free Frigidaire Zer Parts Diagram PDF books and manuals is the internet's largest free library. Hosted online, this catalog compiles a vast assortment of documents, making it a veritable goldmine of knowledge. With its easy-to-use website interface and customizable PDF generator, this platform offers a user-friendly experience, allowing individuals to effortlessly navigate and access the information they seek. The availability of free PDF books and manuals on this platform demonstrates its commitment to democratizing education and empowering individuals with the tools needed to succeed in their chosen fields. It allows anyone, regardless of their background or financial limitations, to expand their horizons and gain insights from experts in various disciplines. One of the most significant advantages of downloading PDF books and manuals lies in their portability. Unlike physical copies, digital books can be stored and carried on a single device, such as a tablet or smartphone, saving valuable space and weight. This convenience makes it possible for readers to have their entire library at their fingertips, whether they are commuting, traveling, or simply enjoying a lazy afternoon at home. Additionally, digital files are easily searchable, enabling readers to locate specific information within seconds. With a few keystrokes, users can search for keywords, topics, or phrases, making research and finding relevant information a breeze. This efficiency saves time and effort, streamlining the learning process and allowing individuals to focus on extracting the information they need. Furthermore, the availability of free PDF books and manuals fosters a culture of continuous learning. By removing financial barriers, more people can access educational resources and pursue lifelong learning, contributing to personal

growth and professional development. This democratization of knowledge promotes intellectual curiosity and empowers individuals to become lifelong learners, promoting progress and innovation in various fields. It is worth noting that while accessing free Frigidaire Zer Parts Diagram PDF books and manuals is convenient and cost-effective, it is vital to respect copyright laws and intellectual property rights. Platforms offering free downloads often operate within legal boundaries, ensuring that the materials they provide are either in the public domain or authorized for distribution. By adhering to copyright laws, users can enjoy the benefits of free access to knowledge while supporting the authors and publishers who make these resources available. In conclusion, the availability of Frigidaire Zer Parts Diagram free PDF books and manuals for download has revolutionized the way we access and consume knowledge. With just a few clicks, individuals can explore a vast collection of resources across different disciplines, all free of charge. This accessibility empowers individuals to become lifelong learners, contributing to personal growth, professional development, and the advancement of society as a whole. So why not unlock a world of knowledge today? Start exploring the vast sea of free PDF books and manuals waiting to be discovered right at your fingertips.

### **FAQs About Frigidaire Zer Parts Diagram Books**

How do I know which eBook platform is the best for me? Finding the best eBook platform depends on your reading preferences and device compatibility. Research different platforms, read user reviews, and explore their features before making a choice. Are free eBooks of good quality? Yes, many reputable platforms offer high-quality free eBooks, including classics and public domain works. However, make sure to verify the source to ensure the eBook credibility. Can I read eBooks without an eReader? Absolutely! Most eBook platforms offer web-based readers or mobile apps that allow you to read eBooks on your computer, tablet, or smartphone. How do I avoid digital eye strain while reading eBooks? To prevent digital eye strain, take regular breaks, adjust the font size and background color, and ensure proper lighting while reading eBooks. What the advantage of interactive eBooks? Interactive eBooks incorporate multimedia elements, quizzes, and activities, enhancing the reader engagement and providing a more immersive learning experience. Frigidaire Zer Parts Diagram is one of the best book in our library for free trial. We provide copy of Frigidaire Zer Parts Diagram in digital format, so the resources that you find are reliable. There are also many Ebooks of related with Frigidaire Zer Parts Diagram. Where to download Frigidaire Zer Parts Diagram online for free? Are you looking for Frigidaire Zer Parts Diagram PDF? This is definitely going to save you time and cash in something you should think about.

---

**Find Frigidaire Zer Parts Diagram :**

~~motor isuzu rodeo 99~~

~~motherboard intel desktop board 02~~

**moto guzzi t5 repair manual**

~~mossberg 500 military manual~~

**motor oil comparison guide**

~~moto guzzi v7 700 750 v 7 motoguzzi service repair workshop manual~~

**mosby review for the nbde**

~~mothers day romance bundle i english edition~~

**motheo fet registration fee and due date**

~~motor vehicle mechanics work unesco~~

**motorcycle seats harley davidson**

~~motorcycles on ebay harley davidson~~

~~motoniveladora champion 720a manual~~

~~motorola atrix 2 manual espaaol~~

~~motorcycle sidecars for harleys~~

**Frigidaire Zer Parts Diagram :**

**pandora believe a pop up book to inspire you robert** - Apr 17 2023

web believe a pop up book to inspire you robert sabuda walker 9781406387575 kitap

**believe a pop up book to inspire you alibris** - Jun 07 2022

web buy believe a pop up book to inspire you by robert sabuda illustrator online at alibris we have new and used copies available in 1 editions starting at 20 06 shop now

*believe a pop up book to inspire you yenigelenler* - Feb 15 2023

web 9781406387575 tirtl kids te bulabileceğiniz harika ürünlerden bir tanesi daha

**believe a pop up book to inspire you by sabuda robert** - Mar 16 2023

web buy believe a pop up book to inspire you by sabuda robert sabuda robert online on amazon ae at best prices fast and free shipping free returns cash on delivery available on eligible purchase

*believe a pop up book to inspire you hardback* - Jan 02 2022



web a spectacular pop up gift book from bestselling robert sabuda that encourages you to follow your dreams an inspirational book for the whole family to treasure if little seeds grow into forests of trees and mighty castles are built from grains of sand then why shouldn t we believe in even the most impossible dreams t

**amazon co uk customer reviews believe a pop up book to inspire you** - Sep 10 2022

web the book consists of an inspirational saying starting on one plain page and finishing on the next in a sophisticated pop up such as a field of sunflowers or a castle yes it is the most basic of inspirational thoughts but sometimes that is what a person needs

**believe a pop up book to inspire you amazon com** - Aug 21 2023

web sep 5 2019 a spectacular pop up gift book from bestselling robert sabuda that encourages you to follow your dreams an inspirational book for the whole family to treasure if little seeds grow into forests of trees and mighty castles are built from grains of sand then why shouldn t we believe in even the most impossible dreams

**believe a pop up book to inspire you walker books cimri com** - May 18 2023

web believe a pop up book to inspire you walker books Özellikleri ve fiyatlarını karşılaştır believe a pop up book to inspire you walker books özellikleri kullanıcı yorumları ve indirim seçenekleri cimri com da

[believe a pop up book to inspire you bookxcess](#) - Apr 05 2022

web a spectacular pop up gift book from bestselling robert sabuda that encourages you to follow your dreams an inspirational book for the whole family to treasure if little seeds grow into forests of trees and mighty castles are built from grains of sand then why shouldn t we believe in even the most impossible dreams t

[believe a pop up book to inspire you copertina rigida amazon it](#) - May 06 2022

web a spectacular pop up gift book from bestselling robert sabuda that encourages you to follow your dreams an inspirational book for the whole family to treasure if little seeds grow into forests of trees and mighty castles are built from grains of sand then why shouldn t we believe in even the most impossible dreams

**believe a pop up book to inspire you 1 abebooks** - Aug 09 2022

web a spectacular pop up gift book from bestselling robert sabuda that encourages you to follow your dreams an inspirational book for the whole family to treasure if little seeds grow into forests of trees and mighty castles are built from grains of sand then why shouldn t we believe in even the most impossible dreams

*believe a pop up book to inspire you hardcover abebooks* - Jan 14 2023

web a spectacular pop up gift book from bestselling robert sabuda that encourages you to follow your dreams an inspirational book for the whole family to treasure if little seeds grow into forests of trees and mighty castles are built from grains of sand then why shouldn t we believe in even the most impossible dreams

---

*believe a pop up book to inspire you goodreads* - Jul 20 2023

web jan 1 2019 consummate pop up master robert sabuda offers an elegant ode to possibility that will inspire anyone setting off on a new life chapter all of life s possibilities are just a page turn away in this beautiful pop up

*believe a pop up book to inspire you tirtl kids* - Jun 19 2023

web a spectacular pop up gift book from bestselling robert sabuda that encourages you to follow your dreams an inspirational book for the whole family to treasure if little seeds grow into forests of trees and mighty castles are built from grains of sand then why shouldnt we believe in even the most impossible dreams

*believe a pop up book to inspire you hardcover abebooks* - Dec 13 2022

web if little seeds grow into forests of trees and mighty castles are built from grains of sand then why shouldn t we believe in even the most impossible dreams this playful and imaginative pop up book from bestselling robert sabuda will inspire you to reach for the stars

**believe a pop up book to inspire you hardcover jan 1 2019** - Nov 12 2022

web believe a pop up book to inspire you robert sabuda 9781406387575 books amazon ca

[believe a pop up book to inspire you youtube](#) - Feb 03 2022

web believe a pop up book to inspire you

*believe a pop up book to inspire you hardcover amazon* - Jul 08 2022

web believe a pop up book to inspire you sabuda robert sabuda robert amazon sg books

[believe a pop up book to inspire you amazon com au](#) - Mar 04 2022

web believe a pop up book to inspire you sabuda robert sabuda robert amazon com au books

*buy believe a pop up book to inspire you book online at low* - Oct 11 2022

web amazon in buy believe a pop up book to inspire you book online at best prices in india on amazon in read believe a pop up book to inspire you book reviews author details and more at amazon in free delivery on qualified orders

*maritime and transport law library 57 book series kindle* - Jan 27 2022

web a comprehensive review of the laws and regulations governing the shipmaster including customary law case law statutory law treaty law and regulatory law covering a brief history of the shipmaster manning and crewing requirements in relation to vessel registration comparison of regimes of law of agency for shipmasters and crews

**maritime law maritime and transport law library** - Apr 10 2023

web maritime law maritime and transport law library amazon com tr kitap Çerez tercihlerinizi seçin Çerez bildirimimizde ayrıntılı şekilde açıklandığı üzere alışveriş yapmanızı sağlamak alışveriş deneyiminizi iyileştirmek ve hizmetlerimizi sunmak için gerekli olan çerezleri ve benzer araçları kullanırız

---

[maritime law maritime and transport law library paperback](#) - Jul 01 2022

web buy maritime law maritime and transport law library 5 by baatz yvonne isbn 9780367493844 from amazon s book store everyday low prices and free delivery on eligible orders

[maritime law maritime and transport law library amazon com](#) - Mar 09 2023

web aug 16 2017 maritime law maritime and transport law library 74 95 16 in stock now in its fourth edition this authoritative guide covers all of the core aspects of maritime law in one distinct volume maritime law is written by a team of leading academics and practitioners each expert in their own field

**maritime law maritime and transport law library** - May 31 2022

web arama yapmak istediğiniz kategoriye seçin

[maritime law maritime and transport law library pdf](#) - Jun 12 2023

web maritime law maritime and transport law library 2 maritime and transport law library maritime law 4th edition edited by yvonne baatz 2018 maritime law and practice in china by liang zhao and lianjun li 2017 international trade and carriage of goods edited by bariş soyer and andrew tettenborn 2016 offshore oil and gas

[maritime law maritime and transport law library hardcover](#) - Aug 02 2022

web oct 30 2020 maritime law maritime and transport law library hardcover 30 oct 2020 by yvonne baatz editor 4 6 19 ratings part of maritime and transport law library 57 books see all formats and editions kindle edition 53 19 read with our free app hardcover from 291 76 2 new from 291 76

[maritime and transport law library maritime law bol com](#) - Jan 07 2023

web now in its fifth edition this authoritative guide covers all of the core aspects of maritime law in one distinct volume together they provide clear concise and fully up to date coverage of topics ranging from bills of lading to arrest of ships all

**master maritime transport law erasmus university rotterdam** - Jul 13 2023

web maritime transport law is this the programme you re looking for this ll m programme provides you with thorough in depth knowledge of the dynamic world of maritime and transport law key facts figures type master degree llm mode of study full time instruction language english duration 1 year study points ec 60 location campus

[maritime law maritime and transport law library amazon com](#) - Nov 05 2022

web oct 30 2020 paperback 79 95 4 used from 104 95 21 new from 72 38 now in its fifth edition this authoritative guide covers all of the core aspects of maritime law in one distinct volume maritime law is written by a team of leading academics and practitioners each expert in their own field

[maritime and transport law library book series routledge](#) - Sep 15 2023

web presented for expert practitioners and academics alike informa law s maritime and transport law library offers an

---

extensive portfolio of cutting edge specialist titles on the whole spectrum of transport law including shipping aviation rail and road

**maritime law maritime and transport law library legal outlet** - Feb 25 2022

web maritime law maritime and transport law library now in its fourth edition this authoritative guide covers all of the core aspects of maritime law in one distinct volume maritime law is written by a team of leading academics and practitioners each expert in

**maritime law library axel ax son johnson institute of** - Feb 08 2023

web dec 17 2020 as a part of a research project on the cmr convention the axel ax son johnson institute of maritime and transport law at the faculty of law stockholm university has traced the official preparatory works of the convention in the swedish national archives riksarkivet

maritime law maritime and transport law library hardcover - Apr 29 2022

web aug 26 2014 maritime law maritime and transport law library 55 99 in stock now in its third edition this authoritative guide covers all of the core aspects of maritime law in one distinct volume maritime law is written by a team of leading academics and practitioners each expert in their own field

**maritime law maritime and transport law library** - Aug 14 2023

web now in its fifth edition this authoritative guide covers all of the core aspects of maritime law in one distinct volume maritime law is written by a team of leading academics and practitioners each expert in their own field

**9781138104839 maritime law maritime and transport law** - Oct 04 2022

web abebooks com maritime law maritime and transport law library 9781138104839 and a great selection of similar new used and collectible books available now at great prices

*maritime law maritime and transport law library amazon com* - May 11 2023

web aug 28 2014 maritime law maritime and transport law library 79 95 in stock now in its third edition this authoritative guide covers all of the core aspects of maritime law in one distinct volume maritime law is written by a team of leading academics and practitioners each expert in their own field

*maritime law maritime and transport law library kindle* - Mar 29 2022

web oct 29 2020 paperback 79 95 4 used from 106 76 25 new from 73 56 now in its fifth edition this authoritative guide covers all of the core aspects of maritime law in one distinct volume maritime law is written by a team of leading academics and practitioners each expert in their own field

9781138802339 maritime law maritime and transport law - Sep 03 2022

web now in its third edition this authoritative guide covers all of the core aspects of maritime law in one distinct volume

---

maritime law is written by a team of leading academics and practitioners each expert in their own field together they provide clear concise and fully up to date coverage of topics ranging from bills of lading to arrest of ships all written in [maritime law in turkey on İki levha yayıncılık a Ş](#) - Dec 06 2022

web lastly special articles of tcc governing marine accidents such as general average collision and salvage are examined in the book arka kapaktan content 1 introduction part i general overview on maritime law in turkey 2 classification of law of the sea 3 uniformity of maritime law 4 management of maritime transportation 5

[holden evening prayer first lutheran church of san diego](#) - Aug 19 2023

web psalm 141 the annunciation luke 1 26 28 30 32 38 leader an angel went from god to a town called nazareth to a woman whose name was mary the angel said to her rejoice o highly favored for god is with you you shall bear a child and his name shall be jesus the chosen one of god most high

[holden evening prayer augsburg fortress](#) - Jun 05 2022

web holden evening prayer by marty haugen composer holden evening prayer was originally written during the winter of 1986 while the composer was at holden village in the north cascade mountains of washington state to mark the 30th anniversary of its composition marty haugen added three new psalm settings for advent and lent

**holden evening prayer my worship times 4** - Jul 18 2023

web deep in my heart may the light deep of your in my love be watch burn light up with heart may the in me god bright of let my prayer rise ing bright ing your love be in up burn cense the like as an of my fore in you cense like let my prayer rise be to as an cre lift ing up of my the of fer ing hands god of all all hands lift ing up fo

**free holden evening prayer by marty haugen sheet music download pdf** - May 16 2023

web free holden evening prayer by marty haugen sheet music download pdf or print on musescore com view offer holden evening prayer composition by marty haugen sheet music main info scores 1 filters score type user scores 1 ensemble vocal ensembles 1 instruments voice 1 genre religious music 1 number of parts status public domain

**holden evening prayer reformation lutheran church** - Oct 21 2023

web holden evening prayer setting by marty haugen service of light evening hymn all sing joyous light of heavenly glory loving glow of god s own face you who sing creation s story shine on every land and race now as evening falls around us we shall raise our songs to you god of daybreak god of shadows come and light our hearts anew

[holden evening prayer pdf faith lutheran church okemos](#) - Apr 03 2022

web feb 16 2021 holden evening prayer pdf posted on february 16 2021 posted by connie denbrock categories worship folders for use during the lenten wednesday evening services holden evening prayer booklet 1 for use during the lenten wednesday evening services holden evening prayer booklet 1

---

**2021 holden evening prayer around the world leader s guide** - Nov 10 2022

web it is our practice as a community to gather for a service of prayer and simple song tonight we center ourselves in our shared yearning for healing we see the deep brokenness of our world in our communities in the news and in ourselves hear our ache for justice our longing for truth

**holden evening prayer full score sheet music plus** - Jul 06 2022

web english marty haugen wrote holden evening prayer during the winter of 1985 1986 while at holden village in the north cascade mountains of washington state to mark the 30th anniversary of its composition marty expanded the content of the vespers service by adding several new psalm settings for advent and or lent

*holden evening prayer geneva lutheran church* - Apr 15 2023

web 1 service of light procession leader or assistant the light no darkness can ver come leader or assistant stay with us now for œ it œ is evening all v œ œ and the day is al most over v all œ œ and shine within your peo ple leader or assistant v œ let your light scat ter œ 4 3 here œ the darkness

**midweek lenten service of holden evening prayer pleasant** - Oct 09 2022

web l let the incense of our repentant prayer ascend before you o god and let your lovingkindness descend upon us that with purified hearts we may sing your praises with the church on earth and the whole heavenly host and may glorify you forever and ever c amen homily prayer practices

*homepage spirit in the hills* - Sep 08 2022

web homepage spirit in the hills

**gia publications holden evening prayer full score** - Mar 14 2023

web holden evening prayer assembly edition download edition d 9170a download 1 65 add to cart holden evening prayer full score download edition d 9170fs download 17 00 add to cart holden evening prayer guitar edition g 9170g ship preview 10 50 add to cart holden evening prayer guitar edition

holden peace lutheran church of plymouth mn elca - Dec 11 2022

web holden to the people of the winter community at holden 1985 1986 holden evening prayer setting by marty haugen 1 service of light procession leader jesus christ you are the light of the world evening hymn all a tempo joy ous 2 in the 3

**christ the ing k la holden evening prayer christ the king** - Jan 12 2023

web holden evening prayer christ the king lutheran church 1001 w esplanade ave kenner la 70065 marty haugen gia publications inc 7404 s mason ave chicago il 60638 2 to the people of the winter community at holden 1985 1986 holden evening prayer setting by marty haugen

by marty haugen wednesday march 16 11 30 loti org - Aug 07 2022

---

web our prayer service this evening is found in the white booklet holden evening prayer an asterisk indicates that worshipers are to stand as they are able in solidarity with the people and orthodox churches of ukraine pastor haug continues his series on the icons of the orthodox great lent today he will focus on the

**holden evening prayer peace2you org** - Sep 20 2023

web holden evening prayer marty haugen service of light leader jesus christ you are the light of the world all the light no darkness can overcome leader stay with us now for it is evening all and the day is almost over leader let your light scatter the darkness all and shine within your people here evening hymn

holden evening prayer holden evening prayer facebook - Mar 02 2022

web holden evening prayer is a vespers service that was written during the winter of 1985 1986 while marty haugen was living at holden village in the north cascade mountains of washington state holden has always been and continues to be a vibrant and important place of spiritual renewal creativity and christian witness to the world

**holden evening prayer and holy eucharist all saints omaha** - Feb 13 2023

web mar 19 2022 service of light procession page 2 evening hymn page 3 evening thanksgiving page 4 psalmody readings and canticles psalm 141 page 4 lessons reader a reading from exodus 3 1 15 moses was keeping the flock of his father in law jethro the priest of midian he led his flock beyond the

holden evening prayer windsor heights lutheran church - Jun 17 2023

web it is right to give god thanks and praise blessed are you creator of the universe from old you have led your people by night and day may the light of your christ make our darkness bright for your word and your presence are the light of our pathways and you are the light and life of all creation

**holden evening prayer two part mixed choral j w pepper** - May 04 2022

web holden evening prayer was written during the winter of 1985 1986 at holden village in the north cascades of washington state to mark the 30th anniversary of its composition the composer expanded the content of the vespers service by adding several new psalm settings for advent and lent holden evening prayer has been expanded even further