

JUKI®

2-Needle, 2/3/4-Thread Overlock Sewing Machine
Maquina de coser Sobreorilladora de 2 Agujas, 2/3/4 Hilos
Surjeteuse-Raseuse 2 Aiguilles, 2/3/4 Fils
Macchina per cucire surfilatrice 2 aghi, 2/3/4 fili

MO-734DE

Instruction Manual
Manual de instrucciones
Manuel d'instructions
Manuale d'istruzioni

IMPORTANT:

Read all safety regulations carefully and understand them before using your sewing machine.
Retain this instruction manual for future reference.

IMPORTANTE:

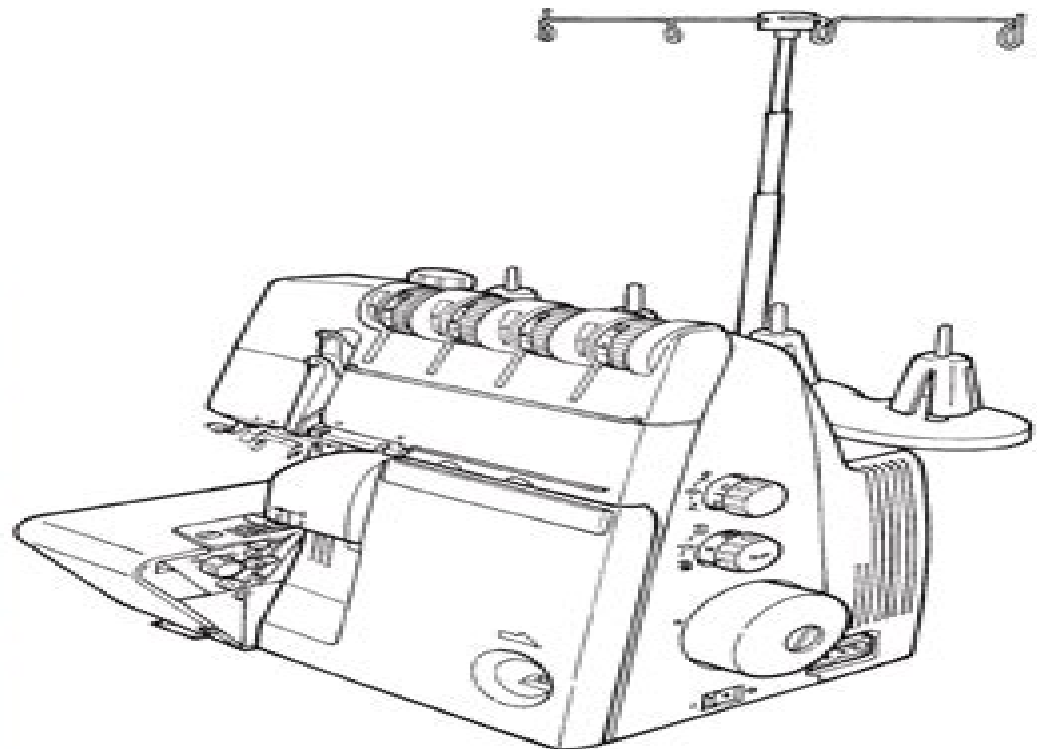
Lea cuidadosamente todas las recomendaciones con respecto a la seguridad y comprendalas perfectamente antes de usar su maquina.
Guarde este libro de instrucciones para referencias futuras.

IMPORTANT:

Avant de mettre la machine en marche, lisez attentivement et assimiler les regles de securite de ce manuel.
Conserver le manuel afin de pouvoir le consulter ulterieurement.

IMPORTANTE:

Prima della messa in servizio, leggere e seguire con attenzione tutte le regole per la sicurezza.
Conservare e consultare questo manuale per ogni riferimento futuro.



Juki Mo 734de User Guide

Lauren Gardner



Juki Mo 734de User Guide:

Yeah, reviewing a ebook **Juki Mo 734de User Guide** could build up your near contacts listings. This is just one of the solutions for you to be successful. As understood, triumph does not recommend that you have astounding points.

Comprehending as without difficulty as concord even more than further will provide each success. adjacent to, the revelation as well as keenness of this Juki Mo 734de User Guide can be taken as with ease as picked to act.

https://staging.conocer.cide.edu/data/virtual-library/HomePages/Manual_Treadmills_For_Sale.pdf

Table of Contents Juki Mo 734de User Guide

1. Understanding the eBook Juki Mo 734de User Guide
 - The Rise of Digital Reading Juki Mo 734de User Guide
 - Advantages of eBooks Over Traditional Books
2. Identifying Juki Mo 734de User Guide
 - Exploring Different Genres
 - Considering Fiction vs. Non-Fiction
 - Determining Your Reading Goals
3. Choosing the Right eBook Platform
 - Popular eBook Platforms
 - Features to Look for in an Juki Mo 734de User Guide
 - User-Friendly Interface
4. Exploring eBook Recommendations from Juki Mo 734de User Guide
 - Personalized Recommendations
 - Juki Mo 734de User Guide User Reviews and Ratings
 - Juki Mo 734de User Guide and Bestseller Lists
5. Accessing Juki Mo 734de User Guide Free and Paid eBooks
 - Juki Mo 734de User Guide Public Domain eBooks
 - Juki Mo 734de User Guide eBook Subscription Services

- Juki Mo 734de User Guide Budget-Friendly Options
- 6. Navigating Juki Mo 734de User Guide eBook Formats
 - ePub, PDF, MOBI, and More
 - Juki Mo 734de User Guide Compatibility with Devices
 - Juki Mo 734de User Guide Enhanced eBook Features
- 7. Enhancing Your Reading Experience
 - Adjustable Fonts and Text Sizes of Juki Mo 734de User Guide
 - Highlighting and Note-Taking Juki Mo 734de User Guide
 - Interactive Elements Juki Mo 734de User Guide
- 8. Staying Engaged with Juki Mo 734de User Guide
 - Joining Online Reading Communities
 - Participating in Virtual Book Clubs
 - Following Authors and Publishers Juki Mo 734de User Guide
- 9. Balancing eBooks and Physical Books Juki Mo 734de User Guide
 - Benefits of a Digital Library
 - Creating a Diverse Reading Collection Juki Mo 734de User Guide
- 10. Overcoming Reading Challenges
 - Dealing with Digital Eye Strain
 - Minimizing Distractions
 - Managing Screen Time
- 11. Cultivating a Reading Routine Juki Mo 734de User Guide
 - Setting Reading Goals Juki Mo 734de User Guide
 - Carving Out Dedicated Reading Time
- 12. Sourcing Reliable Information of Juki Mo 734de User Guide
 - Fact-Checking eBook Content of Juki Mo 734de User Guide
 - Distinguishing Credible Sources
- 13. Promoting Lifelong Learning
 - Utilizing eBooks for Skill Development
 - Exploring Educational eBooks
- 14. Embracing eBook Trends

- Integration of Multimedia Elements
- Interactive and Gamified eBooks

Juki Mo 734de User Guide Introduction

In this digital age, the convenience of accessing information at our fingertips has become a necessity. Whether its research papers, eBooks, or user manuals, PDF files have become the preferred format for sharing and reading documents. However, the cost associated with purchasing PDF files can sometimes be a barrier for many individuals and organizations. Thankfully, there are numerous websites and platforms that allow users to download free PDF files legally. In this article, we will explore some of the best platforms to download free PDFs. One of the most popular platforms to download free PDF files is Project Gutenberg. This online library offers over 60,000 free eBooks that are in the public domain. From classic literature to historical documents, Project Gutenberg provides a wide range of PDF files that can be downloaded and enjoyed on various devices. The website is user-friendly and allows users to search for specific titles or browse through different categories. Another reliable platform for downloading Juki Mo 734de User Guide free PDF files is Open Library. With its vast collection of over 1 million eBooks, Open Library has something for every reader. The website offers a seamless experience by providing options to borrow or download PDF files. Users simply need to create a free account to access this treasure trove of knowledge. Open Library also allows users to contribute by uploading and sharing their own PDF files, making it a collaborative platform for book enthusiasts. For those interested in academic resources, there are websites dedicated to providing free PDFs of research papers and scientific articles. One such website is Academia.edu, which allows researchers and scholars to share their work with a global audience. Users can download PDF files of research papers, theses, and dissertations covering a wide range of subjects. Academia.edu also provides a platform for discussions and networking within the academic community. When it comes to downloading Juki Mo 734de User Guide free PDF files of magazines, brochures, and catalogs, Issuu is a popular choice. This digital publishing platform hosts a vast collection of publications from around the world. Users can search for specific titles or explore various categories and genres. Issuu offers a seamless reading experience with its user-friendly interface and allows users to download PDF files for offline reading. Apart from dedicated platforms, search engines also play a crucial role in finding free PDF files. Google, for instance, has an advanced search feature that allows users to filter results by file type. By specifying the file type as "PDF," users can find websites that offer free PDF downloads on a specific topic. While downloading Juki Mo 734de User Guide free PDF files is convenient, its important to note that copyright laws must be respected. Always ensure that the PDF files you download are legally available for free. Many authors and publishers voluntarily provide free PDF versions of their work, but its essential to be cautious and verify the authenticity of the source before downloading Juki Mo 734de User Guide. In conclusion, the internet offers

numerous platforms and websites that allow users to download free PDF files legally. Whether its classic literature, research papers, or magazines, there is something for everyone. The platforms mentioned in this article, such as Project Gutenberg, Open Library, Academia.edu, and Issuu, provide access to a vast collection of PDF files. However, users should always be cautious and verify the legality of the source before downloading Juki Mo 734de User Guide any PDF files. With these platforms, the world of PDF downloads is just a click away.

FAQs About Juki Mo 734de User Guide Books

1. Where can I buy Juki Mo 734de User Guide books? Bookstores: Physical bookstores like Barnes & Noble, Waterstones, and independent local stores. Online Retailers: Amazon, Book Depository, and various online bookstores offer a wide range of books in physical and digital formats.
2. What are the different book formats available? Hardcover: Sturdy and durable, usually more expensive. Paperback: Cheaper, lighter, and more portable than hardcovers. E-books: Digital books available for e-readers like Kindle or software like Apple Books, Kindle, and Google Play Books.
3. How do I choose a Juki Mo 734de User Guide book to read? Genres: Consider the genre you enjoy (fiction, non-fiction, mystery, sci-fi, etc.). Recommendations: Ask friends, join book clubs, or explore online reviews and recommendations. Author: If you like a particular author, you might enjoy more of their work.
4. How do I take care of Juki Mo 734de User Guide books? Storage: Keep them away from direct sunlight and in a dry environment. Handling: Avoid folding pages, use bookmarks, and handle them with clean hands. Cleaning: Gently dust the covers and pages occasionally.
5. Can I borrow books without buying them? Public Libraries: Local libraries offer a wide range of books for borrowing. Book Swaps: Community book exchanges or online platforms where people exchange books.
6. How can I track my reading progress or manage my book collection? Book Tracking Apps: Goodreads, LibraryThing, and Book Catalogue are popular apps for tracking your reading progress and managing book collections. Spreadsheets: You can create your own spreadsheet to track books read, ratings, and other details.
7. What are Juki Mo 734de User Guide audiobooks, and where can I find them? Audiobooks: Audio recordings of books, perfect for listening while commuting or multitasking. Platforms: Audible, LibriVox, and Google Play Books offer a wide selection of audiobooks.
8. How do I support authors or the book industry? Buy Books: Purchase books from authors or independent bookstores.

Reviews: Leave reviews on platforms like Goodreads or Amazon. Promotion: Share your favorite books on social media or recommend them to friends.

9. Are there book clubs or reading communities I can join? Local Clubs: Check for local book clubs in libraries or community centers. Online Communities: Platforms like Goodreads have virtual book clubs and discussion groups.
10. Can I read Juki Mo 734de User Guide books for free? Public Domain Books: Many classic books are available for free as they're in the public domain. Free E-books: Some websites offer free e-books legally, like Project Gutenberg or Open Library.

Find Juki Mo 734de User Guide :

[manual treadmills for sale](#)

[manual volkswagen crafter 35 2 5 tdi sp15](#)

manual workshop d7a ta

manual thomson net

[manual tv samsung plasma 42](#)

[manual vermeer 222](#)

[manual transmission statistics](#)

manuale audio 20 2009

[manual toyota carina 1987](#)

[manual volvo penta tamd 31 b](#)

[manuale compaq armada 110](#)

~~[manual viewsonic pjd5134](#)~~

~~[manual transmission driving tips](#)~~

~~[manual volvo td45](#)~~

manual winbox mikrotik espanol

Juki Mo 734de User Guide :

Fifty Shades (novel series) Fifty Shades is a series of erotic novels by British author E. L. James, initially a trilogy consisting of Fifty Shades of Grey (2011), Fifty Shades Darker ... Fifty Shades (film series) Fifty Shades is a British-American film trilogy series based on the Fifty Shades trilogy by English author E. L. James. It is distributed by Universal ... Fifty Shades Trilogy

(Fifty Shades of Grey ... This is a series of 3 books that should be read in order. Fifty shades of gray, fifty shades darker, and fifty shades free. This series is for adults 18 years ... Fifty Shades of Grey Series The original trilogy is told from Ana's point of view and consists of the books Fifty Shades of Grey, Fifty Shades Darker, and Fifty Shades ... Fifty Shades Movies In Order (How to Watch the Film Trilogy) The Fifty Shades trilogy is a British American film series based on English author E.L. James' trilogy of three sexual love dramas, "Fifty Shades of Grey." The ... Fifty Shades Series by E.L. James When literature student Anastasia Steele goes to interview young entrepreneur Christian Grey, she encounters a man who is beautiful, brilliant, and intim... Fifty Shades of Grey Erotic, amusing, and deeply moving, the Fifty Shades Trilogy is a tale that will obsess you, possess you, and stay with you forever. Merchandise. Shop ... Fifty Shades of Grey Series Relive the sensuality, the romance, and the drama of Fifty Shades Freed through the thoughts, reflections, and dreams of Christian Grey. Fifty Shades Trilogy 9780345804044 This boxed set includes the following novels: FIFTY SHADES OF GREY: When college student Anastasia Steele goes to interview young entrepreneur Christian Grey, ... Fifty Shades Of Grey: Book One of the ... Fifty Shades Of Grey: Book One of the Fifty Shades Trilogy (Fifty Shades of Grey Series, 1) [James, E L] on Amazon.com. *FREE* shipping on qualifying offers ... Linear Algebra and Its Applications - 4th Edition - Solutions ... Linear Algebra. Linear Algebra and Its Applications. 4th Edition. David C. Lay ... solutions manuals or printing out PDFs! Now, with expert-verified solutions ... Solutions Manual For Linear Algebra And Its Applications ALGEBRA AND I TS A PPLICATIONS F OURTH E DITION David C. Lay University of Maryland The author and publisher of this book have used their best efforts in ... Solutions manual for linear algebra and its applications 4th ... solutions-manual-for MAS3114 solutions manual for linear algebra and its applications 4th edition lay full download. Linear Algebra And Its Applications 4th Edition Textbook ... We have solutions for your book! Linear Algebra and Its Applications (4th) edition 0321385179 9780321385178. Linear Algebra and Its Applications ... Linear-algebra-and-its-applications-4th-edition-solutions ... David Lay introduces. Download Linear Algebra With Applications Leon Solutions ... Solution manual of linear algebra and its applications 4th edition by david c. 1.1 SOLUTIONS 5. The system is already in "triangular" form. The fourth equation is $x_4 = -5$, and the other equations do not contain the variable x_4 . Pdf linear algebra and its applications solutions Download David C Lay - Linear Algebra and its Applications - 4th edition + Solution Manual + Study Guide torrent or any other torrent from Textbooks category. Linear Algebra and Its Applications, 4th Edition by David C. ... In this book, there are five chapters: Systems of Linear Equations, Vector Spaces, Homogeneous Systems, Characteristic Equation of Matrix, and Matrix Dot ... Solution Manual to Linear Algebra and Its Applications (4th ... The Solution Manual for Linear Algebra and its Applications 4th Edition by Lay 9 Chapters Only contains the textbook solutions and is all you need to ... Linear Algebra and Its Applications 4th Edition solutions Linear Algebra and Its Applications 4th Edition solutions. Author: David C. Lay Publisher: Pearson ISBN: 9780321385178. Select Chapter: (select chapter), 1. Statistics for Business and Economics - 8th Edition With expert-verified

solutions from Statistics for Business and Economics 8th Edition, you'll learn how to solve your toughest homework problems. Solutions manual for statistics for business and economics ... May 25, 2018 — Solutions manual for statistics for business and economics 8th edition by newbold by Lial111 - Issuu. Statistics-for-business-and-economics-8th-edition-newbold ... Statistics for Business and Economics 8th Edition Newbold Solutions Manual. Full download. Statistics for Business and Economics 8th Edition Textbook ... A classic text for accuracy and statistical precision. Statistics for Business and Economics enables readers to conduct serious analysis. Statistics For Business And Economics 8th Edition ... Access Statistics for Business and Economics 8th Edition solutions now. Our solutions are written by Chegg experts so you can be assured of the highest quality! Student solutions manual, Statistics for business and ... Student solutions manual, Statistics for business and economics, sixth edition [by] Paul Newbold, William L. Carson, Betty Thorne. Show more. Solution Manual for Statistics for Business and Economics Solution Manual for Statistics for Business and Economics. 8th Edition Newbold Carlson Thorne 0132745658. 9780132745659. Full download link at: Student Solutions Manual for Statistics for Business and ... Student Solutions Manual for Statistics for Business and Economics ; Publication Date: September 21st, 2012 ; Publisher: Pearson ; ISBN: 9780132745680 ; Pages: 304. Statistics for Business and Economics: Student Solutions ... Contains detailed solutions to all even-numbered exercises. Student Solutions Manual for Statistics for Business and ... Amazon.com: Student Solutions Manual for Statistics for Business and Economics: 9780132745680: Newbold, Paul, Carlson, William, Thorne, Betty: Books.