

• **Food Pusher** (P/N 70456B)

Feed Tube

Pulp Ejection Opening

• **Clear Lid** (P/N 70464)

Cutter Blade

• **Stainless Steel Blade Basket** (P/N 70458)

Pulp Spout

Blade Holder

• **Stainless Steel Juice Bowl** (P/N 70459)

Juice Spout

Clamps

Motor Base Hub

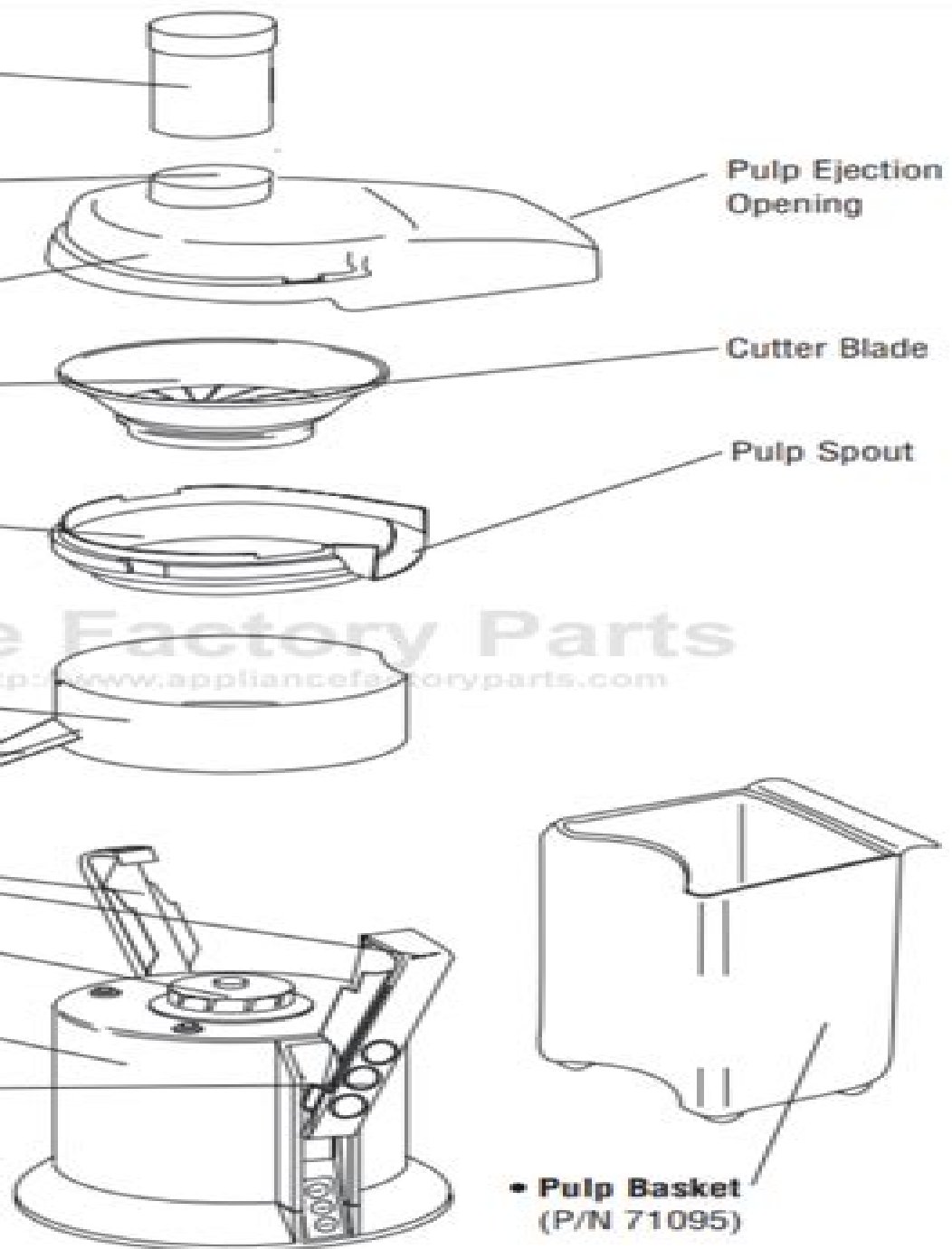
• **Stainless Steel Motor Base**

Control Panel

• **Pulp Basket** (P/N 71095)

Replacement parts available
(except Motor Base).
Call (800) 233-9054

Appliance Factory Parts
© <http://www.appliancefactoryparts.com>



Juiceman Jm418ss User Guide

K Morrison



Juiceman Jm418ss User Guide:

Fuel your quest for knowledge with Authored by is thought-provoking masterpiece, Dive into the World of **Juiceman Jm418ss User Guide** . This educational ebook, conveniently sized in PDF (*), is a gateway to personal growth and intellectual stimulation. Immerse yourself in the enriching content curated to cater to every eager mind. Download now and embark on a learning journey that promises to expand your horizons. .

https://staging.conocer.cide.edu/results/virtual-library/Documents/Essentials_Of_Geology_Stephen_Marshak_4th_Edition.pdf

Table of Contents Juiceman Jm418ss User Guide

1. Understanding the eBook Juiceman Jm418ss User Guide
 - The Rise of Digital Reading Juiceman Jm418ss User Guide
 - Advantages of eBooks Over Traditional Books
2. Identifying Juiceman Jm418ss User Guide
 - Exploring Different Genres
 - Considering Fiction vs. Non-Fiction
 - Determining Your Reading Goals
3. Choosing the Right eBook Platform
 - Popular eBook Platforms
 - Features to Look for in an Juiceman Jm418ss User Guide
 - User-Friendly Interface
4. Exploring eBook Recommendations from Juiceman Jm418ss User Guide
 - Personalized Recommendations
 - Juiceman Jm418ss User Guide User Reviews and Ratings
 - Juiceman Jm418ss User Guide and Bestseller Lists
5. Accessing Juiceman Jm418ss User Guide Free and Paid eBooks
 - Juiceman Jm418ss User Guide Public Domain eBooks
 - Juiceman Jm418ss User Guide eBook Subscription Services
 - Juiceman Jm418ss User Guide Budget-Friendly Options

6. Navigating Juiceman Jm418ss User Guide eBook Formats
 - ePub, PDF, MOBI, and More
 - Juiceman Jm418ss User Guide Compatibility with Devices
 - Juiceman Jm418ss User Guide Enhanced eBook Features
7. Enhancing Your Reading Experience
 - Adjustable Fonts and Text Sizes of Juiceman Jm418ss User Guide
 - Highlighting and Note-Taking Juiceman Jm418ss User Guide
 - Interactive Elements Juiceman Jm418ss User Guide
8. Staying Engaged with Juiceman Jm418ss User Guide
 - Joining Online Reading Communities
 - Participating in Virtual Book Clubs
 - Following Authors and Publishers Juiceman Jm418ss User Guide
9. Balancing eBooks and Physical Books Juiceman Jm418ss User Guide
 - Benefits of a Digital Library
 - Creating a Diverse Reading Collection Juiceman Jm418ss User Guide
10. Overcoming Reading Challenges
 - Dealing with Digital Eye Strain
 - Minimizing Distractions
 - Managing Screen Time
11. Cultivating a Reading Routine Juiceman Jm418ss User Guide
 - Setting Reading Goals Juiceman Jm418ss User Guide
 - Carving Out Dedicated Reading Time
12. Sourcing Reliable Information of Juiceman Jm418ss User Guide
 - Fact-Checking eBook Content of Juiceman Jm418ss User Guide
 - Distinguishing Credible Sources
13. Promoting Lifelong Learning
 - Utilizing eBooks for Skill Development
 - Exploring Educational eBooks
14. Embracing eBook Trends
 - Integration of Multimedia Elements

-
- Interactive and Gamified eBooks

Juiceman Jm418ss User Guide Introduction

In this digital age, the convenience of accessing information at our fingertips has become a necessity. Whether its research papers, eBooks, or user manuals, PDF files have become the preferred format for sharing and reading documents. However, the cost associated with purchasing PDF files can sometimes be a barrier for many individuals and organizations. Thankfully, there are numerous websites and platforms that allow users to download free PDF files legally. In this article, we will explore some of the best platforms to download free PDFs. One of the most popular platforms to download free PDF files is Project Gutenberg. This online library offers over 60,000 free eBooks that are in the public domain. From classic literature to historical documents, Project Gutenberg provides a wide range of PDF files that can be downloaded and enjoyed on various devices. The website is user-friendly and allows users to search for specific titles or browse through different categories. Another reliable platform for downloading Juiceman Jm418ss User Guide free PDF files is Open Library. With its vast collection of over 1 million eBooks, Open Library has something for every reader. The website offers a seamless experience by providing options to borrow or download PDF files. Users simply need to create a free account to access this treasure trove of knowledge. Open Library also allows users to contribute by uploading and sharing their own PDF files, making it a collaborative platform for book enthusiasts. For those interested in academic resources, there are websites dedicated to providing free PDFs of research papers and scientific articles. One such website is Academia.edu, which allows researchers and scholars to share their work with a global audience. Users can download PDF files of research papers, theses, and dissertations covering a wide range of subjects. Academia.edu also provides a platform for discussions and networking within the academic community. When it comes to downloading Juiceman Jm418ss User Guide free PDF files of magazines, brochures, and catalogs, Issuu is a popular choice. This digital publishing platform hosts a vast collection of publications from around the world. Users can search for specific titles or explore various categories and genres. Issuu offers a seamless reading experience with its user-friendly interface and allows users to download PDF files for offline reading. Apart from dedicated platforms, search engines also play a crucial role in finding free PDF files. Google, for instance, has an advanced search feature that allows users to filter results by file type. By specifying the file type as "PDF," users can find websites that offer free PDF downloads on a specific topic. While downloading Juiceman Jm418ss User Guide free PDF files is convenient, its important to note that copyright laws must be respected. Always ensure that the PDF files you download are legally available for free. Many authors and publishers voluntarily provide free PDF versions of their work, but its essential to be cautious and verify the authenticity of the source before downloading Juiceman Jm418ss User Guide. In conclusion, the internet offers numerous platforms and websites that allow users to download free PDF files legally. Whether its classic

literature, research papers, or magazines, there is something for everyone. The platforms mentioned in this article, such as Project Gutenberg, Open Library, Academia.edu, and Issuu, provide access to a vast collection of PDF files. However, users should always be cautious and verify the legality of the source before downloading Juiceman Jm418ss User Guide any PDF files. With these platforms, the world of PDF downloads is just a click away.

FAQs About Juiceman Jm418ss User Guide Books

How do I know which eBook platform is the best for me? Finding the best eBook platform depends on your reading preferences and device compatibility. Research different platforms, read user reviews, and explore their features before making a choice. Are free eBooks of good quality? Yes, many reputable platforms offer high-quality free eBooks, including classics and public domain works. However, make sure to verify the source to ensure the eBook credibility. Can I read eBooks without an eReader? Absolutely! Most eBook platforms offer web-based readers or mobile apps that allow you to read eBooks on your computer, tablet, or smartphone. How do I avoid digital eye strain while reading eBooks? To prevent digital eye strain, take regular breaks, adjust the font size and background color, and ensure proper lighting while reading eBooks. What the advantage of interactive eBooks? Interactive eBooks incorporate multimedia elements, quizzes, and activities, enhancing the reader engagement and providing a more immersive learning experience. Juiceman Jm418ss User Guide is one of the best book in our library for free trial. We provide copy of Juiceman Jm418ss User Guide in digital format, so the resources that you find are reliable. There are also many Ebooks of related with Juiceman Jm418ss User Guide. Where to download Juiceman Jm418ss User Guide online for free? Are you looking for Juiceman Jm418ss User Guide PDF? This is definitely going to save you time and cash in something you should think about.

Find Juiceman Jm418ss User Guide :

[essentials of geology stephen marshak 4th edition](#)

[et elles passegraverent sur lautre rive](#)

[esters prac physics 2014 caps](#)

[essentials of business statistics solutions manual](#)

[ethnoarchaeology in action](#)

[essential of investment 9th edition bkm solution manual](#)

[essential mathematics 8h david rayner answers](#)

eumig mark s 810 810d 810d lux spanish

~~estimators piping manhour manual~~

~~essentials of financial management brigham answer~~

~~eten m600 user guide~~

eton rxl 50 70 90 atv service repair manual

~~essays on scandinavian literature~~

~~essential guide to flash games book~~

~~essentials of aerial surveying and photo interpretation talbert abrams~~

Juiceman Jm418ss User Guide :

the 1 lesson downwind paddling taught me mocke paddling - Jan 08 2023

web the 1 lesson downwind paddling taught me i learnt how to paddle surfskis as a lifeguard on fish hoek beach south africa a surfski is a type of kayak originally designed as a surf lifesaving craft to go in and out through the surf break surfski kayaks are long longer than any other kayak and narrow

surf ski wikipedia - Feb 26 2022

web a group of surfski paddlers paddle through the surf zone a surfski or surf ski surf ski is a type of kayak in the kayaking family of paddling craft it is generally the longest of all kayaks and is a performance oriented kayak designed for speed on open water most commonly the ocean although it is well suited to all bodies of water and recreational

downwind surfski paddleboard facebook - Jan 28 2022

web paddle sports enthusiasts who like to get out on the water and paddle surfski kayaks oc s paddle boards this is a way to connect and share our passion experiences as well as knowledge about

surfski school international paddle surfski worldwide - Apr 30 2022

web paddling at one of our accredited surfski schools means that you can be sure to receive the best surfski instruction available the surfski school began in the summer of 2002 over the years the surfski school has ended up established a winning formula to effectively coach anyone in surfski what would normally take a person anywhere from

surfski paddling downwind english edition kindle ausgabe amazon de - May 12 2023

web surfski paddling downwind english edition ebook brunette kevin amazon de kindle shop

downwind surfski paddling tarifa full length unedited - Jul 02 2022

web if you want to review the video on your tv at home here is a 4k version you could download to get better details dropbox com s 6lve84i4uw5t3ln do

[amazing winter downwind paddling mania youtube](#) - Apr 11 2023

web aug 6 2019 amazing winter downwind paddling mania j v 417 subscribers subscribe 52k views 3 years ago amazing winter downwind surfski paddle in a gale

15km surfski downwind 3 47min km average youtube - Aug 15 2023

web 15km surfski downwind 3 47min km average toni surfski 676 subscribers subscribe 206 17k views 2 years ago amazing surfski downwind amazing speeds and lots of fun

surfski paddling downwind english edition pdf uniport edu - Dec 27 2021

web aug 7 2023 surfski paddling downwind english edition 2 10 downloaded from uniport edu ng on august 7 2023 by guest troubleshooting and boat assessment enlivened by delightful stories of glickman s personal kayaking adventures this fun and informative guide will inspire kayakers of all types to get out on the water and enjoy the ride

downwind paddling a never ending evolution nick murray surfski - Jun 01 2022

web dec 6 2015 moral of the story if you want to paddle well in bigger conditions but aren t 100 bullet proof in 2 3 foot conditions you should probably consider a more stable boat every paddler should experience downwind downwind paddling is ultimately what the surfski experience is all about i know for me it has become an absolute addiction

[english bay downwind on surfski run 1 youtube](#) - Jun 13 2023

web downwind with fcrc advanced surfski group in english bay first run westerly 27km gusts nelo 560 surfski downwind boat kayak paddling

super windy downwind surfski paddle youtube - Dec 07 2022

web the downwind dash runs every tuesday evening from milnerton to big bay in cape town south africa 35 knots of wind makes for a crazy paddle durbansurfski com

surfski paddling downwind english edition by kevin brunette - Aug 03 2022

web surfski paddling downwind english edition by kevin brunette downwind surfski perth s snapper run 13 01 2019 july 2008 surfskibc surfski paddling downwind kindle edition surfski with the pros kindle edition sam sutton reclaims title as extreme kayak world champion expedition kayaks may 2009 surfski paddling downwind by kevin brunette

[downwind surfski info](#) - Nov 06 2022

web mar 28 2019 you are viewing content tagged with downwind the resource for ocean surfski paddlers worldwide how to and training articles race reports equipment reviews general news events calendar

downwind surfski paddling secrets to achieving more elation - Oct 05 2022

web jul 11 2014 downwind surfski paddling don t discount finesse i haven t been able to paddle that often since racing the molokai in mid may but luckily most of the paddling i have done has been in good wind wave conditions

surfski paddling downwind english edition - Mar 10 2023

web surfski paddling downwind english edition is available in our book collection an online access to it is set as public so you can get it instantly our book servers saves in multiple locations allowing you to get the most less latency time to

surfski paddling downwind english edition - Mar 30 2022

web surfski paddling downwind english edition aviation english may 31 2022 aviation english investigates the key issues related to the use of english for the purpose of communication in aviation and analyses the current research on language training testing and assessment in the area of aviation english

downwindable the new downwind planning tool totalsup - Sep 04 2022

web jul 18 2021 18 jul 2021 surfski tagged lizelle kemp downwindable downwindable is the new downwind tool planner designed by scottish based south african paddler lizelle kemp born out of the lockdown and the inability to get out paddling lizelle created the app to record her personal tracks and soon others were contributing

surfski paddling downwind kindle edition amazon com - Jul 14 2023

web sep 9 2017 surfski paddling downwind kindle edition by kevin brunette author format kindle edition 4 0 1 rating see all formats and editions kindle 9 99 read with our free app surfski paddling downwind is targeted at individuals keen to unravel the secrets of surfing wind driven swell

beautiful aerial shots of surfski paddling riding waves and going - Feb 09 2023

web jun 13 2019 35k views 4 years ago this video contains beautiful aerial shots of surfski paddling riding waves and going downwind we are promoting our learn to surfski and paddle downwind online video lessons

terry o neill every picture tells a story hardcover - Mar 30 2022

web a new edition of the bestselling every picture tells a story from one of the greatest photographers of the last 60 years terry o neill this updated edition includes 32 additional pages of new stories behind some of the o neill s most iconic images

terry o neill every picture tells a story photo book - Oct 05 2022

web reviews a new edition of the bestselling every picture tells a story from one of the greatest photographers of the last 60 years terry o neill this updated edition includes 32 additional pages of new stories behind some of the o neill s most iconic images from the morning he spent with faye dunaway at the pool in beverly hills to walking

terry o neill every picture tells a story hardcover - Dec 27 2021

web jul 31 2021 terry o neill one of the greatest photographers of the last 60 years reveals the stories behind his most iconic images from the morning he

terry o neill every picture tells a story hardcover amazon co uk - Apr 11 2023

web terry o neill every picture tells a story 29 79 39 in stock for the first time in book form terry o neill one of the greatest

photographers of the last 60 years reveals the stories behind his most iconic images

[terry o neill every picture tells a story ciltli kapak](#) - Nov 06 2022

web terry o neill every picture tells a story o neill terry amazon com tr kitap

terry o neill every picture tells a story a retrospective - Aug 15 2023

web sep 1 2020 maddox gallery is proud to announce the first retrospective of works by renowned british photographer terry o neill since he passed away in november 2019 bringing together a collection of rare and iconic works from throughout o neill s long and illustrious career

terry o neill every picture tells a story amazon de - Jun 01 2022

web terry o neill every picture tells a story is like going through a walking tour of memory by a man who has seen met and photographed them all with 36 pages of extra material providing new stories for some of his most iconic photographs

terry o neill every picture tells a story acc art books us - Sep 04 2022

web a new edition of the bestselling every picture tells a story from one of the greatest photographers of the last 60 years terry o neill this updated edition includes 32 additional pages of new stories behind some of the o neill s most iconic images

[terry o neill every picture tells a story amazon com](#) - Jun 13 2023

web jul 31 2021 a new edition of the bestselling every picture tells a story from one of the greatest photographers of the last 60 years terry o neill this updated edition includes 32 additional pages of new stories behind some of the o neill s most iconic images

terry o neill every picture tells a story goodreads - Feb 26 2022

web terry o neill book read 2 reviews from the world s largest community for readers features some of terry o neill s most well known and iconic images fro

terry o neill every picture tells a story a retrospective - Feb 09 2023

web jul 21 2020 terry o neill every picture tells a story a retrospective will run from 30th july what would have been o neill s 82nd birthday to the 29th august 2020 showcasing a series of captivating works including images of elton john brigitte bardot and david bowie in the distinctive snapshot aesthetic that o neill is famous for

[every picture tells a story google books](#) - Aug 03 2022

web features some of terry o neill s most well known and iconic images from more than 50 years behind the camera o neill reveals the stories behind his most iconic images from the morning he spent with faye dunaway at the pool in beverly hills to walking around vegas with sean connery dressed as james bond and a chance encounter with bruce

terry o neill every picture tells a story acc art books uk - Mar 10 2023

web full description a new edition of the bestselling every picture tells a story from one of the greatest photographers of the

last 60 years terry o neill this updated edition includes 32 additional pages of new stories behind some of the o neill s most iconic images

terry o neill every picture tells a story gebundene ausgabe amazon de - Jul 02 2022

web buchrückseite a new edition of the bestselling every picture tells a story from one of the greatest photographers of the last 60 years terry o neill this updated edition includes 32 additional pages of new stories behind some of the o neill s most iconic images from the morning he spent with faye dunaway at the pool in beverly hills to

terry o neill every picture tells a story a retrospective - May 12 2023

web aug 29 2020 maddox gallery in gstaad switzerland is proud to announce the first retrospective of works by renowned british photographer terry o neill since he passed away in november 2019 bringing together a collection of rare and iconic works from throughout o neill s long and illustrious career

terry o neill every picture tells a story amazon com - Jul 14 2023

web dec 6 2016 well known photographer terry o neill presents some of his most notable pix in every picture tells a story a 2016 iconic images release o neill s book showcases famous people o neill snapped over the past 50 years

terry o neill every picture tells a story issuu - Jan 28 2022

web aug 4 2021 terry o neill describes every picture tells a story as a book of all my best pictures telling the full story of how they were done the whole shebang behind them all

terry o neill every picture tells a story new mags - Apr 30 2022

web a new edition of the bestselling every picture tells a story from one of the greatest photographers of the last 60 years terry o neill this updated edition includes 32 additional pages of new stories behind some of the o neill s most iconic images from the morning he spent with faye dunaway at the pool in beverly hills to

terry o neill every picture tells a story adlibris bokhandel - Dec 07 2022

web jun 10 2021 pris 472 kr inbunden 2021 skickas inom 5 7 vardagar köp boken terry o neill every picture tells a story av terry o neill isbn 9781788841283 hos adlibris fri frakt alltid bra priser och snabb leverans adlibris

every picture tells a story by terry o neill waterstones - Jan 08 2023

web oct 31 2016 the list of people terry o neill has worked with over the past 60 years is a who s who in celebrity from film to music sports to politics terry o neill every picture tells a story is like going through a walking tour of memory by a man who has seen met and photographed them all

365 méditations quotidiennes pour éclairer votre vie - Jul 20 2023

web jan 1 2008 1 star 8 there are 0 reviews and 0 ratings from the united states la sagesse du dalaï lama à portée de tous et facile à lire les textes sont regroupés par

lire tÉ[Écharger 365 méditations quotidiennes du - Jun 07 2022](#)

web des réflexions pour guider les méditations quotidiennes comment accueillir les pensées méditatives qu est ce qu une pensée juste apprendre à être dans le moment présent

365 méditations quotidiennes pour éclairer votre vie decitre - Dec 13 2022

web 365 méditations quotidiennes du dalaï lama de thich nhat hanh matthieu ricard christian bruyat traduction 3 octobre 2013 dalaï lama on amazon com

365 meditations quotidiennes du dalai lama alibris - Jul 08 2022

web dec 7 2021 epub pdf ebook 365 méditations quotidiennes du dalaï lama evol spiritualité philosophie french edition ebook online download ebook pdf

365 méditations quotidiennes du dalaï lama amazon com - Jun 19 2023

web en compagnie de matthieu ricard sa sainteté nous invite à trouver en nous la lumière qui éclairera nos vies et celles de nos proches il nous livre 365 méditations une par jour

[365 méditations by fabrice midal goodreads - May 06 2022](#)

web apr 30 2019 comme évoqué dans le titre de l article même seulement 5 petites minutes quotidiennes vont vous apporter tous les bénéfices de la méditation si vous avez plus

[365 meditations spiritualité collection 365 meditations fnac - Sep 10 2022](#)

web il nous livre 365 méditations une par jour car c est dans notre quotidien dans les pensées et les actes les plus courants que se révèle et s épanouit notre humanité ffavailable

[365 meditations quotidiennes ai classmonitor com - Mar 04 2022](#)

web sep 2 2021 they all began with committing just five minutes a day towards a meditation and mindfulness practice buy anusha wijeyakumar s new book take 5 minutes to

365 méditations quotidiennes du dalaï lama télécharger lire pdf - Aug 09 2022

web buy 365 meditations quotidiennes du dalai lama by his holiness tenzin gyatso the dalai lama matthieu ricard online at alibris we have new and used copies available in

365 méditations quotidiennes du dalaï lama de thich nhat - Nov 12 2022

web jun 5 2003 amazon com 365 méditations quotidiennes du dalaï lama 9782856169476 dalaï lama books

365 méditations quotidiennes du dalaï lama paperback - Oct 11 2022

web la collection 365 meditations au meilleur prix à la fnac plus de 12 spiritualité 365 meditations en stock neuf ou d occasion

365 méditations quotidiennes du dalaï lama evol spiritualité - Apr 17 2023

web 365 meditations quotidiennes du dalai lama and a great selection of related books art and collectibles available now at abebooks com

the life changing daily meditation that takes just 5 minutes a - Feb 03 2022

web jun 2 2005 amazon com om 365 méditations quotidiennes du dalai lama 9782750901349 dalaï lama guénet françois ricard matthieu bruyat christian books

365 méditations quotidiennes du dalaï lama babelio - Oct 23 2023

web chevet pas comme les autres 365 méditations quotidiennes pour renforcer l'intimité du couple à raison d'un verset biblique une pensée basée sur son expérience de conseiller

365 méditations quotidiennes du dalaï lama goodreads - Aug 21 2023

web 365 meditations quotidiennes pour eclairer votre vie by bstan dzin rgya mtsho dalai lama xiv 1935 publication date 2005 topics meditations bouddhiques publisher paris

les bienfaits de seulement 5 minutes de méditation par jour - Apr 05 2022

web au jour le jour recueil de 365 pensées quotidiennes sur l'amour sur le couple sur l'écoute de soi 365 méditations et exercices de pleine conscience le petit livre de sagesse du

365 meditations quotidiennes du dalai lama livre de - May 18 2023

web sep 9 2013 365 méditations quotidiennes du dalaï lama evol spiritualité philosophie french edition dalaï lama nhât hanh thich bruyat christian ricard matthieu on

365 méditations quotidiennes dalaï abebooks - Jan 14 2023

web dec 5 2013 en compagnie de matthieu ricard sa sainteté nous invite à trouver en nous la lumière qui éclairera nos vies et celles de nos proches il nous livre 365 méditations

365 meditations quotidiennes du dalai lama abebooks - Feb 15 2023

web 365 méditations quotidiennes du dalaï lama 2011 by collectif and a great selection of related books art and collectibles available now at abebooks com

pdf 365 meditations quotidiennes - Sep 22 2023

web jan 1 2001 365 méditations quotidiennes du dalaï lama dalai lama xiv 3 96 636 ratings46 reviews le dalaï lama nous exhorte à développer le potentiel de bonté et

amazon com om 365 méditations quotidiennes du dalai lama - Jan 02 2022

365 meditations quotidiennes abebooks - Mar 16 2023

web 365 meditations quotidiennes du dalai lama by his holiness tenzin gyatso the dalai lama ricard matthieu at abebooks co

