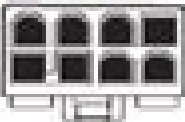




Quick Start Guide

Support Guide

One 8-pin power connector

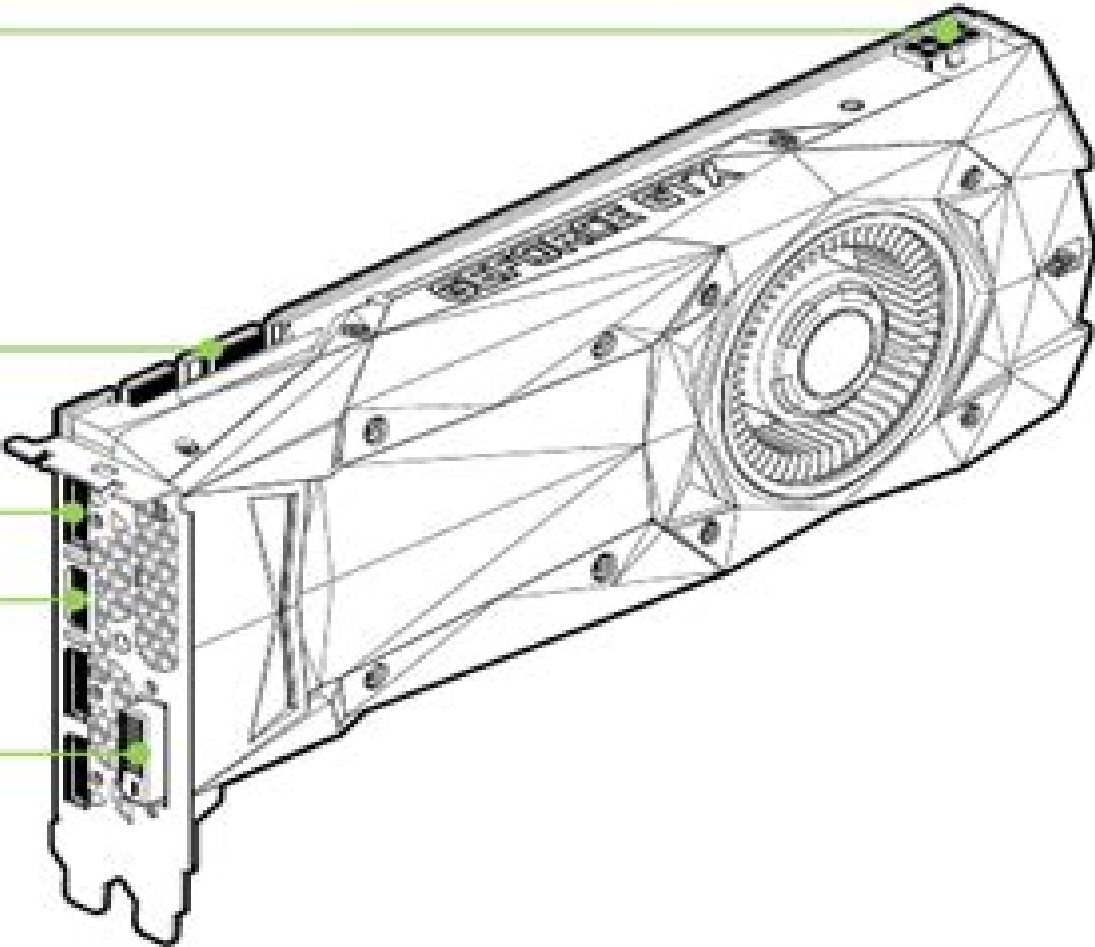


SLI connector

DisplayPort connectors (Qty 3)

HDMI connector

DVI connector



NVIDIA GeForce GTX 1070 Graphics Card

Graphic Card Owners Manual

Clemens Wendtner



Graphic Card Owners Manual:

The Enthralling World of E-book Books: A Thorough Guide Unveiling the Benefits of Kindle Books: A World of Convenience and Versatility E-book books, with their inherent portability and ease of access, have freed readers from the limitations of hardcopy books. Gone are the days of lugging bulky novels or carefully searching for particular titles in bookstores. E-book devices, sleek and portable, effortlessly store an extensive library of books, allowing readers to immerse in their preferred reads anytime, everywhere. Whether commuting on a bustling train, relaxing on a sunny beach, or just cozying up in bed, E-book books provide an exceptional level of convenience. A Literary Universe Unfolded: Exploring the Vast Array of Kindle Graphic Card Owners Manual Graphic Card Owners Manual The Kindle Shop, a virtual treasure trove of bookish gems, boasts an wide collection of books spanning diverse genres, catering to every readers preference and preference. From captivating fiction and mind-stimulating non-fiction to timeless classics and modern bestsellers, the Kindle Store offers an exceptional abundance of titles to explore. Whether looking for escape through engrossing tales of fantasy and exploration, diving into the depths of past narratives, or expanding ones understanding with insightful works of scientific and philosophical, the E-book Shop provides a gateway to a bookish universe brimming with endless possibilities. A Revolutionary Force in the Literary Scene: The Enduring Impact of Kindle Books Graphic Card Owners Manual The advent of E-book books has undoubtedly reshaped the bookish scene, introducing a paradigm shift in the way books are published, disseminated, and consumed. Traditional publishing houses have embraced the online revolution, adapting their approaches to accommodate the growing need for e-books. This has led to a surge in the accessibility of E-book titles, ensuring that readers have entry to a vast array of bookish works at their fingers. Moreover, E-book books have equalized access to books, breaking down geographical barriers and providing readers worldwide with equal opportunities to engage with the written word. Regardless of their location or socioeconomic background, individuals can now engross themselves in the intriguing world of books, fostering a global community of readers. Conclusion: Embracing the E-book Experience Graphic Card Owners Manual E-book books Graphic Card Owners Manual, with their inherent convenience, flexibility, and vast array of titles, have certainly transformed the way we experience literature. They offer readers the liberty to explore the limitless realm of written expression, whenever, everywhere. As we continue to travel the ever-evolving online scene, E-book books stand as testament to the persistent power of storytelling, ensuring that the joy of reading remains accessible to all.

https://staging.conocer.cide.edu/book/Resources/Download_PDFS/fanning_the_flames_a_girls_night_out_novella.pdf

Table of Contents Graphic Card Owners Manual

1. Understanding the eBook Graphic Card Owners Manual
 - The Rise of Digital Reading Graphic Card Owners Manual
 - Advantages of eBooks Over Traditional Books
2. Identifying Graphic Card Owners Manual
 - Exploring Different Genres
 - Considering Fiction vs. Non-Fiction
 - Determining Your Reading Goals
3. Choosing the Right eBook Platform
 - Popular eBook Platforms
 - Features to Look for in an Graphic Card Owners Manual
 - User-Friendly Interface
4. Exploring eBook Recommendations from Graphic Card Owners Manual
 - Personalized Recommendations
 - Graphic Card Owners Manual User Reviews and Ratings
 - Graphic Card Owners Manual and Bestseller Lists
5. Accessing Graphic Card Owners Manual Free and Paid eBooks
 - Graphic Card Owners Manual Public Domain eBooks
 - Graphic Card Owners Manual eBook Subscription Services
 - Graphic Card Owners Manual Budget-Friendly Options
6. Navigating Graphic Card Owners Manual eBook Formats
 - ePub, PDF, MOBI, and More
 - Graphic Card Owners Manual Compatibility with Devices
 - Graphic Card Owners Manual Enhanced eBook Features
7. Enhancing Your Reading Experience
 - Adjustable Fonts and Text Sizes of Graphic Card Owners Manual
 - Highlighting and Note-Taking Graphic Card Owners Manual
 - Interactive Elements Graphic Card Owners Manual
8. Staying Engaged with Graphic Card Owners Manual

- Joining Online Reading Communities
 - Participating in Virtual Book Clubs
 - Following Authors and Publishers Graphic Card Owners Manual
9. Balancing eBooks and Physical Books Graphic Card Owners Manual
- Benefits of a Digital Library
 - Creating a Diverse Reading Collection Graphic Card Owners Manual
10. Overcoming Reading Challenges
- Dealing with Digital Eye Strain
 - Minimizing Distractions
 - Managing Screen Time
11. Cultivating a Reading Routine Graphic Card Owners Manual
- Setting Reading Goals Graphic Card Owners Manual
 - Carving Out Dedicated Reading Time
12. Sourcing Reliable Information of Graphic Card Owners Manual
- Fact-Checking eBook Content of Graphic Card Owners Manual
 - Distinguishing Credible Sources
13. Promoting Lifelong Learning
- Utilizing eBooks for Skill Development
 - Exploring Educational eBooks
14. Embracing eBook Trends
- Integration of Multimedia Elements
 - Interactive and Gamified eBooks

Graphic Card Owners Manual Introduction

In the digital age, access to information has become easier than ever before. The ability to download Graphic Card Owners Manual has revolutionized the way we consume written content. Whether you are a student looking for course material, an avid reader searching for your next favorite book, or a professional seeking research papers, the option to download Graphic Card Owners Manual has opened up a world of possibilities. Downloading Graphic Card Owners Manual provides numerous advantages over physical copies of books and documents. Firstly, it is incredibly convenient. Gone are the days of carrying around heavy textbooks or bulky folders filled with papers. With the click of a button, you can gain immediate access to

valuable resources on any device. This convenience allows for efficient studying, researching, and reading on the go. Moreover, the cost-effective nature of downloading Graphic Card Owners Manual has democratized knowledge. Traditional books and academic journals can be expensive, making it difficult for individuals with limited financial resources to access information. By offering free PDF downloads, publishers and authors are enabling a wider audience to benefit from their work. This inclusivity promotes equal opportunities for learning and personal growth. There are numerous websites and platforms where individuals can download Graphic Card Owners Manual. These websites range from academic databases offering research papers and journals to online libraries with an expansive collection of books from various genres. Many authors and publishers also upload their work to specific websites, granting readers access to their content without any charge. These platforms not only provide access to existing literature but also serve as an excellent platform for undiscovered authors to share their work with the world. However, it is essential to be cautious while downloading Graphic Card Owners Manual. Some websites may offer pirated or illegally obtained copies of copyrighted material. Engaging in such activities not only violates copyright laws but also undermines the efforts of authors, publishers, and researchers. To ensure ethical downloading, it is advisable to utilize reputable websites that prioritize the legal distribution of content. When downloading Graphic Card Owners Manual, users should also consider the potential security risks associated with online platforms. Malicious actors may exploit vulnerabilities in unprotected websites to distribute malware or steal personal information. To protect themselves, individuals should ensure their devices have reliable antivirus software installed and validate the legitimacy of the websites they are downloading from. In conclusion, the ability to download Graphic Card Owners Manual has transformed the way we access information. With the convenience, cost-effectiveness, and accessibility it offers, free PDF downloads have become a popular choice for students, researchers, and book lovers worldwide. However, it is crucial to engage in ethical downloading practices and prioritize personal security when utilizing online platforms. By doing so, individuals can make the most of the vast array of free PDF resources available and embark on a journey of continuous learning and intellectual growth.

FAQs About Graphic Card Owners Manual Books

What is a Graphic Card Owners Manual PDF? A PDF (Portable Document Format) is a file format developed by Adobe that preserves the layout and formatting of a document, regardless of the software, hardware, or operating system used to view or print it. **How do I create a Graphic Card Owners Manual PDF?** There are several ways to create a PDF: Use software like Adobe Acrobat, Microsoft Word, or Google Docs, which often have built-in PDF creation tools. Print to PDF: Many applications and operating systems have a "Print to PDF" option that allows you to save a document as a PDF file

instead of printing it on paper. Online converters: There are various online tools that can convert different file types to PDF. **How do I edit a Graphic Card Owners Manual PDF?** Editing a PDF can be done with software like Adobe Acrobat, which allows direct editing of text, images, and other elements within the PDF. Some free tools, like PDFescape or Smallpdf, also offer basic editing capabilities. **How do I convert a Graphic Card Owners Manual PDF to another file format?** There are multiple ways to convert a PDF to another format: Use online converters like Smallpdf, Zamzar, or Adobe Acrobats export feature to convert PDFs to formats like Word, Excel, JPEG, etc. Software like Adobe Acrobat, Microsoft Word, or other PDF editors may have options to export or save PDFs in different formats. **How do I password-protect a Graphic Card Owners Manual PDF?** Most PDF editing software allows you to add password protection. In Adobe Acrobat, for instance, you can go to "File" -> "Properties" -> "Security" to set a password to restrict access or editing capabilities. Are there any free alternatives to Adobe Acrobat for working with PDFs? Yes, there are many free alternatives for working with PDFs, such as: LibreOffice: Offers PDF editing features. PDFsam: Allows splitting, merging, and editing PDFs. Foxit Reader: Provides basic PDF viewing and editing capabilities. How do I compress a PDF file? You can use online tools like Smallpdf, ILovePDF, or desktop software like Adobe Acrobat to compress PDF files without significant quality loss. Compression reduces the file size, making it easier to share and download. Can I fill out forms in a PDF file? Yes, most PDF viewers/editors like Adobe Acrobat, Preview (on Mac), or various online tools allow you to fill out forms in PDF files by selecting text fields and entering information. Are there any restrictions when working with PDFs? Some PDFs might have restrictions set by their creator, such as password protection, editing restrictions, or print restrictions. Breaking these restrictions might require specific software or tools, which may or may not be legal depending on the circumstances and local laws.

Find Graphic Card Owners Manual :

[fanning the flames a girls night out novella](#)

fanuc lathe manual guide i training

fallout three broken steel guide

family lineage tree guide books

fan control center wiring help

fall of the dice

[family cut out shapes](#)

fallait pas linviter

farmall c parts catalog tc 38 c part manual tractor ih

[fan clutch fuse for dodge 3500](#)

farmtrac 45 service manual

~~family and consumer science workbook~~

fanuc 10t lathe programming manual

fastpitch player evaluation form

fasting and prayer guide

Graphic Card Owners Manual :

vbs parents sign in and out sheet pdf ftp bonide - Mar 15 2023

dec 18 2021 e okul veli bilgilendirme sistemi giriş ile veliler çocuklarının okuldaki son durumu hakkında bilgi edinebilir e okul veli bilgilendirme sistemi girişi e okul vbs giriş ile aynı

30 printable sign in sign out sheets best templates - Jun 06 2022

parents follow up on what their kids have learned during vbs and is perfect for after vbs visits or handing out during vbs celebration vbs 2023 parent guides comes in a package of 10

vbs parents sign in and out sheet ncf ec2 west 02 xconvert - Apr 04 2022

jul 25 2023 june 20th 2018 daycare sign in and out sheet pdf parent sign in out sheet all parents must sign their child both in and out each day at lia erc gov ph 3 10 the time of

vbs parents sign in and out sheet full pdf - Nov 30 2021

vbs parents sign in and out sheet uniport edu - Mar 03 2022

pdf epub mobi vbs 2009 archives page 6 of 14 lifeway vbs parent sign in out sheet child care 5 best sign in and sign out templates free amp premium

9 free sample parent sign in sheet templates - Jun 18 2023

jul 17 2020 bir vbs dosyası ile başka bir çalışan vbs dosyası oluşturmak istiyorum yani istediğim şey bir vbs dosyasını açtığımda o dosya başka bir vbs dosyası oluştursun ve onu

e okul vbs nedir ne işe yarar e okul vbs veli girişi nasıl - Jan 13 2023

parent sign in information sheet this sign sheet document is not to be filled out or be completed by any individual since it is only for providing information about how the parent can

vbs parents sign in and out sheet lia erc gov ph - Feb 02 2022

vbs parents sign in and out sheet vbscript programmer s reference vbs 2023 gospel guide pkg 20 i heart vbs lined journal notebook for vacation bible school church groups

results for vbs parent sign in sheet ppt - Aug 20 2023

oct 6 2022 this fun freebie features two versions of sign in sheets for a parent conference one version is appropriate simply as a parent sign in sheet while the other version includes

vbs parents sign in and out sheet pdf ftp bonide - Oct 30 2021

[vbs parents sign in and out sheet pdf ai classmonitor](#) - Jul 19 2023

vbs 2022 parent guides pkg 10 start a vbs program across the street and around the world vacation bible school vbs hero hotline craft leader intergenerational faith formation

vbs parents sign in and out sheet pdf projects techhut - Aug 08 2022

sep 1 2020 types of sign in sign out sheets a sign in sign out sheet is very flexible and as such you can use it in different situations here are a few ways you can use a sign in and out

e okul sms bilgilendirme sistemi nedir hürriyet - Dec 12 2022

vbs parents sign in and out sheet 1 vbs parents sign in and out sheet to heal proclaim and teach the best vbs workbook ever dreaming with god vbs teacher s lesson manual

vbs parents sign in and out sheet 2022 stg baranbakery - Oct 10 2022

vbs parents sign in and out sheet to heal proclaim and teach vbscript programmer s reference a parent s guide to autism epic families equipping parents to inspire their

e okul vbs nedir ne işe yarar e okul vbs veli girişi nasıl - Feb 14 2023

nov 4 2015 e okul vbs girişi nasıl yapılır e okul vbs ye giriş yapabilmek için öğrencinin t c kimlik numarası okul tarafından belirlenen okul numarasına ihtiyaç vardır girişte bulunan

[vbs parents sign in and out sheet lia erc gov ph](#) - Jan 01 2022

vbs parents sign in and out sheet vbs 2023 adult learner guide vacation bible school symposium on development of the basicranium the great comission vbs 2023 gospel

vbs parents sign in and out sheet download only a be220 - May 05 2022

aug 27 2023 vbs parents sign in and out sheet 2 9 downloaded from uniport edu ng on august 27 2023 by guest book features 100 pages with ample space for 1000 parents to sign

free 8 parent sign in sheets in pdf ms word excel - Nov 11 2022

vbs parents sign in and out sheet downloaded from videos bookbrush com by guest cassandra dashawn the best vbs workbook ever group publishing inc the vbs

vbs dosyası ile vbs dosyası oluşturma technopat sosyal - Apr 16 2023

nov 23 2021 türkiye de ilkokul ortaokul ve lisedeki öğrenciler için okullar dün 22 kasım yeniden açıldı bir haftalık tatil sonrasında öğrenciler yeniden ders başı yaptı Öğrenciler ve
results for vbs parent sign in sheet tpt - Sep 21 2023

this fun freebie features two versions of sign in sheets for a parent conference one version is appropriate simply as a parent sign in sheet while the other version includes an option to

vbs parents sign in and out sheet pdf videos bookbrush - Sep 09 2022

vbs 2022 parent guides pkg 10 vbs 2023 gospel guide pkg 20 goliath s mountain i heart vbs lined journal notebook for vacation bible school church groups volunteers children

free parent sign in sheet template pdf word - May 17 2023

the best vbs workbook ever bringing rainforest adventure home responsibility of parents vbscript programmer s reference windows xp under the hood vbs 2021 parent guides

vbs parents sign in and out sheet pdf videos bookbrush - Jul 07 2022

4 vbs parents sign in and out sheet 2021 07 26 around the world is a practical and approachable guide to missions inside the pages of this book are hundreds of ideas to

the story of son by j r ward audiobook audible com - Mar 13 2023

check out this great listen on audible com first released in the anthology dead after dark dive into this hot novella from 1 new york times bestselling author j r ward available for the first time ever as a standalone ebook get lost in the sinful pleasures of *opinion i hope someone somewhere is being kind to my boy - Jul 05 2022*

oct 12 2023 i hope someone somewhere is being kind to my boy oct 12 2023 illustration by shoshana schultz the new york times by rachel goldberg ms goldberg is a mother of three living in jerusalem

son dakika haberİ türkiye de 3 gün ulusal yas ilan edildi - Jan 11 2023

1 day ago son dakika haberİ türkiye de İsrail in gazze deki hastaneye yönelik saldırısında yaşamını yitirenler için 3 günlük ulusal yas ilan edildi cumhurbaşkanı recep tayyip erdoğan

loading interface goodreads - Aug 06 2022

discover and share books you love on goodreads

in gaza wounded children with no surviving family bbc news - May 03 2022

oct 17 2023 the doctor had been killed with her other child and the wounded girl was the only survivor authorities in gaza say at least 2 750 people have so far been killed a quarter of them children and

watch the son netflix official site - Oct 08 2022

the son 2019 maturity rating tv ma 1h 32m thrillers in this psychological thriller painter lorenzo s life spirals out of control as

he fears his wife is trying to isolate him from their infant son starring joaquín furriel martina gusmán luciano CÁCERES

the ending of the son explained looper - Apr 14 2023

may 30 2023 florian zeller has spent a long time with the story of the son he first wrote it as a stage play that debuted in paris in 2018 it was performed at multiple sold out venues all around the world

son tv series 2012 2013 imdb - Jul 17 2023

son with yigit Özsener nehir erdogan engin altan düzyatan berrak tüzünataç after a plane crash a devoted wife learns that her life and marriage is all a lie

luke 15 11 32 esv the parable of the prodigal son and bible gateway - Mar 01 2022

the parable of the prodigal son 11 and he said there was a man who had two sons 12 and the younger of them said to his father father give me the share of property that is coming to me

parable of the prodigal son wikipedia - Dec 10 2022

the parable of the prodigal son also known as the parable of the two brothers lost son loving father or of the forgiving father is one of the parables of jesus in the bible appearing in luke 15 11 32 jesus shares the parable with his disciples the pharisees and others in the story a father has two sons

the bbc jimmy savile drama missed a chance to tell the real story - Apr 02 2022

oct 15 2023 jimmy savile one of britain s most prolific child sexual abusers never faced trial for his crimes he died a national treasure crowds flocking to pay respect to his funeral cortege his life

story of abraham and isaac the ultimate test of faith learn - Feb 12 2023

jul 6 2021 jack zavada updated on july 06 2021 the story of abraham and isaac involves one of the most agonizing test a trial both men pass because of their total faith in god god instructs abraham to take isaac the heir to god s promise and sacrifice him abraham obeys binding isaac to the altar but god intervenes and provides a ram to offer

pdf epub the story of son download - Sep 19 2023

mar 26 2023 download the story of son by j r ward in pdf epub format complete free brief summary of book the story of son by j r ward here is a quick description and cover image of book the story of son written by j r ward which was published in december 2 2008 you can read this before the story of son pdf epub full download at the bottom

a summary and analysis of the parable of the prodigal son - May 15 2023

the prodigal son summary the prodigal son is recounted in luke 15 11 32 a man had two sons the younger son asked his father to give him the money that his father has promised him and his father obliged the younger son then left home and went to live in a far country

whoever takes the son gets it all tony cooke ministries - Jun 04 2022

and because of that father's love whoever takes the son gets it all unknown years ago there was a very wealthy man who with his devoted young son shared a passion for art collecting together they traveled around the world adding only

the parable of the lost son for kids bible stories twinkl - Nov 09 2022

in the story we learn about the relationship between a father and his two sons the plot centers around the younger son who impatient and greedy asks his father for his inheritance the father agrees but the son wastes his money eventually becoming homeless and destitute

the story of son a story of dark vampire romance amazon com - Aug 18 2023

apr 14 2015 the story of son a story of dark vampire romance kindle edition by ward j r download it once and read it on your kindle device pc phones or tablets use features like bookmarks note taking and highlighting while reading the story of son a story of dark vampire romance

oedipus story summary facts britannica - Sep 07 2022

according to one version of the story laius king of thebes was warned by an oracle that his son would slay him accordingly when his wife jocasta iocaste in homer epicaste bore a son he had the baby exposed a form of infanticide on cithaeron

son novel wikipedia - Jun 16 2023

son is a 2012 young adult dystopian novel by american author lois lowry the fourth and final book in the giver quartet the story takes place during and after the first book in the series the giver the story follows claire the birth mother of gabriel who was marked for release in the giver before being taken out of the community by jonas claire obsessed with finding her

dead son s portrait snopes com - Jan 31 2022

jan 30 2000 a wealthy man and his son loved to collect rare works of art they had everything in their collection from picasso to raphael they would often sit together and admire the great works of art

ketchup clouds english edition secure mowtampa org - Feb 15 2022

web 2 ketchup clouds english edition 2023 04 14 tatiana's simple life becomes more complex and more perilous through weiss she meets a young meteorologist who as a child in east germany took solace in the sky's constant shape shifting an antidote to his grim and unchanging reality as their three

ketchup clouds kindle edition amazon com - May 01 2023

web dec 27 2012 audiobook 5 95 5 95 with discounted audible membership winner of the waterstone's children's book prize 2013 ketchup clouds tells the story of one teenage girl with a very big secret fifteen year old zoe has a secret a dark and terrible secret that she can't confess to anyone she knows

ketchup clouds english edition by annabel pitcher - Mar 19 2022

web jun 26 2023 as review ketchup clouds english edition by annabel pitcher what you like to read if you want to comical

literature lots of fiction fable jokes and more fictions collections are also initiated

ketchup clouds hardcover 27 dec 2012 amazon co uk - Jan 29 2023

web a gripping must read book for 2013 bella annabel pitcher creates a moving and compassionate story capturing zoe s loss of innocence beautifully as well as her journey of heartache and desire ketchup clouds is edgy and poised with twists and turns its hard to put down and makes the perfect follow up to pitcher s sensational debut

[browse editions for ketchup clouds the storygraph](#) - Sep 24 2022

web add edition current edition ketchup clouds annabel pitcher 293 pages

ketchup clouds wikipedia - Jun 21 2022

web 2012 children and young adult literature portal ketchup clouds is a 2012 teen novel by annabel pitcher it tells the story of a girl about the age of 15 who has a dark secret she is afraid to confess to anyone but her pen pal a murderer on death row it won the waterstones children s book prize 1

ketchup clouds english edition format kindle amazon fr - May 21 2022

web ketchup clouds had an intriguing hook a teenage british girl who writes to an convicted american murderer awaiting his execution on death row feeling he would be the only

pdf epub ketchup clouds download - Oct 06 2023

web apr 15 2023 download book ketchup clouds by author annabel pitcher in pdf epub original title isbn 9781409141976 and asin 1409141977 published on december 27 2012 in edition language english get full ebook file name ketchup clouds annabel pitcher pdf epub format complete free

ketchup clouds pitcher annabel free download borrow and - Sep 05 2023

web dec 28 2019 english 296 pages 21 cm fifteen year old zoe has a secret a dark and terrible secret that she can t confess to anyone she knows but then one day she hears of a criminal stuart harris locked up on death row in texas like zoe stuart is no stranger to secrets or lies or murder

[ketchup clouds booktopia](#) - Nov 26 2022

web ketchup cloud 9781780620305pr2 indd 4 9 4 12 11 06 am for my husband and best friend s p in the west of england i don t know somewhere near bath which is an old city with ancient buildings and lots of tourists at the weekend taking pictures of the bridge

ketchup clouds by annabel pitcher review the guardian - Jul 23 2022

web jan 4 2013 reading ketchup clouds i was reminded somewhat of meg rossoff the non pareil in this art the onset of the book is archetypal a girl falls in love with two brothers the younger max is cool

[browse editions for ketchup clouds the storygraph](#) - Oct 26 2022

web browse editions add edition current edition ketchup clouds annabel pitcher fiction contemporary romance young adult emotional medium paced missing duration info first published 2012 mark as owned buy browse editions bookshop us bookshop uk blackwell s libro fm audio the storygraph is an affiliate of the featured links

ketchup clouds a novel pitcher annabel free download - Aug 04 2023

web originally published london indigo 2012 zoe a teenager in bath england writes letters to a death row inmate in texas hoping to find comfort in sharing her guilty secret over the death of a friend with someone who can never tell her family access restricted item

[ketchup clouds by annabel pitcher goodreads](#) - Jul 03 2023

web dec 27 2012 ketchup clouds annabel pitcher 3 75 14 448 ratings1 804 reviews secrets romance murder and lies zoe shares a terrible secret in a letter to a stranger on death row in this second novel from the author of the bestselling debut my sister lives on the mantelpiece

[ketchup clouds by annabel pitcher review children s books](#) - Feb 27 2023

web oceanpotion sat 8 mar 2014 07 00 est zoe collins is just like any other 15 year old she goes to school hangs out with her friends and dreams to become an author in other words the usual

ketchup clouds english edition ebook kindle amazon com br - Apr 19 2022

web compre ketchup clouds english edition de pitcher annabel na amazon com br confira também os ebooks mais vendidos lançamentos e livros digitais exclusivos

ketchup clouds english edition kindle edition amazon de - Dec 28 2022

web ketchup clouds english edition ebook pitcher annabel amazon de kindle store

ketchup clouds kindle edition amazon co uk - Mar 31 2023

web winner of the waterstone s children s book prize 2013 ketchup clouds tells the story of one teenage girl with a very big secret fifteen year old zoe has a secret a dark and terrible secret that she can t confess to anyone she knows but then one day she hears of a criminal stuart harris locked up on death row in texas

ketchup clouds english edition kindle ausgabe amazon de - Aug 24 2022

web ketchup clouds english edition ebook pitcher annabel amazon de kindle shop

ketchup clouds booktrust - Jun 02 2023

web dealing with some complex and difficult themes and issues ketchup clouds is perhaps best suited to older teenage readers blending powerful emotion and darkness with ironic humour it is a gripping and moving story about secrets lies and growing up