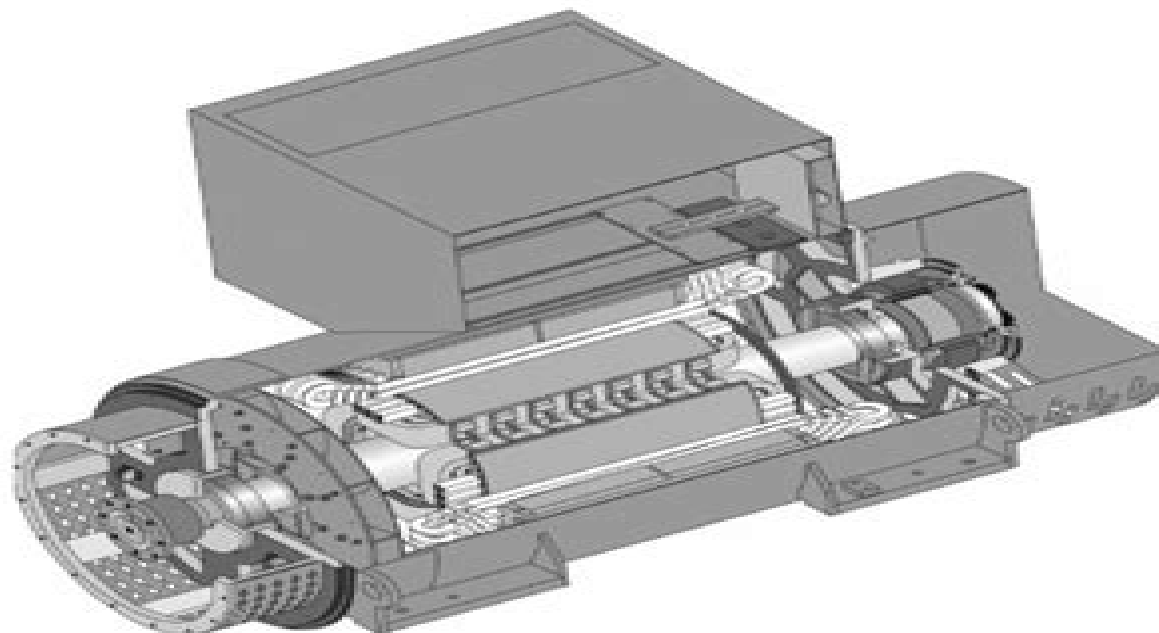


Instruction Manual

Installation • Operation • Maintenance



Standard AC generator

Single or two-bearing
Drive-end air discharge



Kato Engineering Inc.
P.O. Box 8447
Mankato, MN USA
56002-8447
Tel: 507-625-4011
Fax: 507-345-2798
Email: katoengineering@lsusa.com
www.kato-eng.com

Kato Alternator Manual

J Elliott



Kato Alternator Manual:

Unveiling the Power of Verbal Art: An Mental Sojourn through **Kato Alternator Manual**

In some sort of inundated with displays and the cacophony of fast communication, the profound power and mental resonance of verbal beauty often fade in to obscurity, eclipsed by the regular barrage of sound and distractions. However, located within the lyrical pages of **Kato Alternator Manual**, a charming work of fictional elegance that pulses with natural thoughts, lies an wonderful trip waiting to be embarked upon. Published by way of a virtuoso wordsmith, that magical opus instructions readers on an emotional odyssey, delicately revealing the latent potential and profound affect embedded within the intricate web of language. Within the heart-wrenching expanse of the evocative examination, we shall embark upon an introspective exploration of the book is central themes, dissect its charming writing type, and immerse ourselves in the indelible impression it leaves upon the depths of readers souls.

<https://staging.conocer.cide.edu/public/Resources/default.aspx/el%20cuaderno%20de%20noah.pdf>

Table of Contents Kato Alternator Manual

1. Understanding the eBook Kato Alternator Manual
 - The Rise of Digital Reading Kato Alternator Manual
 - Advantages of eBooks Over Traditional Books
2. Identifying Kato Alternator Manual
 - Exploring Different Genres
 - Considering Fiction vs. Non-Fiction
 - Determining Your Reading Goals
3. Choosing the Right eBook Platform
 - Popular eBook Platforms
 - Features to Look for in an Kato Alternator Manual
 - User-Friendly Interface
4. Exploring eBook Recommendations from Kato Alternator Manual
 - Personalized Recommendations

- Kato Alternator Manual User Reviews and Ratings
- Kato Alternator Manual and Bestseller Lists
- 5. Accessing Kato Alternator Manual Free and Paid eBooks
 - Kato Alternator Manual Public Domain eBooks
 - Kato Alternator Manual eBook Subscription Services
 - Kato Alternator Manual Budget-Friendly Options
- 6. Navigating Kato Alternator Manual eBook Formats
 - ePub, PDF, MOBI, and More
 - Kato Alternator Manual Compatibility with Devices
 - Kato Alternator Manual Enhanced eBook Features
- 7. Enhancing Your Reading Experience
 - Adjustable Fonts and Text Sizes of Kato Alternator Manual
 - Highlighting and Note-Taking Kato Alternator Manual
 - Interactive Elements Kato Alternator Manual
- 8. Staying Engaged with Kato Alternator Manual
 - Joining Online Reading Communities
 - Participating in Virtual Book Clubs
 - Following Authors and Publishers Kato Alternator Manual
- 9. Balancing eBooks and Physical Books Kato Alternator Manual
 - Benefits of a Digital Library
 - Creating a Diverse Reading Collection Kato Alternator Manual
- 10. Overcoming Reading Challenges
 - Dealing with Digital Eye Strain
 - Minimizing Distractions
 - Managing Screen Time
- 11. Cultivating a Reading Routine Kato Alternator Manual
 - Setting Reading Goals Kato Alternator Manual
 - Carving Out Dedicated Reading Time
- 12. Sourcing Reliable Information of Kato Alternator Manual
 - Fact-Checking eBook Content of Kato Alternator Manual

-
- Distinguishing Credible Sources
13. Promoting Lifelong Learning
 - Utilizing eBooks for Skill Development
 - Exploring Educational eBooks
 14. Embracing eBook Trends
 - Integration of Multimedia Elements
 - Interactive and Gamified eBooks

Kato Alternator Manual Introduction

In this digital age, the convenience of accessing information at our fingertips has become a necessity. Whether its research papers, eBooks, or user manuals, PDF files have become the preferred format for sharing and reading documents. However, the cost associated with purchasing PDF files can sometimes be a barrier for many individuals and organizations. Thankfully, there are numerous websites and platforms that allow users to download free PDF files legally. In this article, we will explore some of the best platforms to download free PDFs. One of the most popular platforms to download free PDF files is Project Gutenberg. This online library offers over 60,000 free eBooks that are in the public domain. From classic literature to historical documents, Project Gutenberg provides a wide range of PDF files that can be downloaded and enjoyed on various devices. The website is user-friendly and allows users to search for specific titles or browse through different categories. Another reliable platform for downloading Kato Alternator Manual free PDF files is Open Library. With its vast collection of over 1 million eBooks, Open Library has something for every reader. The website offers a seamless experience by providing options to borrow or download PDF files. Users simply need to create a free account to access this treasure trove of knowledge. Open Library also allows users to contribute by uploading and sharing their own PDF files, making it a collaborative platform for book enthusiasts. For those interested in academic resources, there are websites dedicated to providing free PDFs of research papers and scientific articles. One such website is Academia.edu, which allows researchers and scholars to share their work with a global audience. Users can download PDF files of research papers, theses, and dissertations covering a wide range of subjects. Academia.edu also provides a platform for discussions and networking within the academic community. When it comes to downloading Kato Alternator Manual free PDF files of magazines, brochures, and catalogs, Issuu is a popular choice. This digital publishing platform hosts a vast collection of publications from around the world. Users can search for specific titles or explore various categories and genres. Issuu offers a seamless reading experience with its user-friendly interface and allows users to download PDF files for offline reading. Apart from dedicated platforms, search engines also play a crucial role in finding free PDF files. Google, for instance, has an advanced search

feature that allows users to filter results by file type. By specifying the file type as "PDF," users can find websites that offer free PDF downloads on a specific topic. While downloading Kato Alternator Manual free PDF files is convenient, its important to note that copyright laws must be respected. Always ensure that the PDF files you download are legally available for free. Many authors and publishers voluntarily provide free PDF versions of their work, but its essential to be cautious and verify the authenticity of the source before downloading Kato Alternator Manual. In conclusion, the internet offers numerous platforms and websites that allow users to download free PDF files legally. Whether its classic literature, research papers, or magazines, there is something for everyone. The platforms mentioned in this article, such as Project Gutenberg, Open Library, Academia.edu, and Issuu, provide access to a vast collection of PDF files. However, users should always be cautious and verify the legality of the source before downloading Kato Alternator Manual any PDF files. With these platforms, the world of PDF downloads is just a click away.

FAQs About Kato Alternator Manual Books

1. Where can I buy Kato Alternator Manual books? Bookstores: Physical bookstores like Barnes & Noble, Waterstones, and independent local stores. Online Retailers: Amazon, Book Depository, and various online bookstores offer a wide range of books in physical and digital formats.
2. What are the different book formats available? Hardcover: Sturdy and durable, usually more expensive. Paperback: Cheaper, lighter, and more portable than hardcovers. E-books: Digital books available for e-readers like Kindle or software like Apple Books, Kindle, and Google Play Books.
3. How do I choose a Kato Alternator Manual book to read? Genres: Consider the genre you enjoy (fiction, non-fiction, mystery, sci-fi, etc.). Recommendations: Ask friends, join book clubs, or explore online reviews and recommendations. Author: If you like a particular author, you might enjoy more of their work.
4. How do I take care of Kato Alternator Manual books? Storage: Keep them away from direct sunlight and in a dry environment. Handling: Avoid folding pages, use bookmarks, and handle them with clean hands. Cleaning: Gently dust the covers and pages occasionally.
5. Can I borrow books without buying them? Public Libraries: Local libraries offer a wide range of books for borrowing. Book Swaps: Community book exchanges or online platforms where people exchange books.
6. How can I track my reading progress or manage my book collection? Book Tracking Apps: Goodreads, LibraryThing, and Book Catalogue are popular apps for tracking your reading progress and managing book collections. Spreadsheets:

You can create your own spreadsheet to track books read, ratings, and other details.

7. What are Kato Alternator Manual audiobooks, and where can I find them? Audiobooks: Audio recordings of books, perfect for listening while commuting or multitasking. Platforms: Audible, LibriVox, and Google Play Books offer a wide selection of audiobooks.
8. How do I support authors or the book industry? Buy Books: Purchase books from authors or independent bookstores. Reviews: Leave reviews on platforms like Goodreads or Amazon. Promotion: Share your favorite books on social media or recommend them to friends.
9. Are there book clubs or reading communities I can join? Local Clubs: Check for local book clubs in libraries or community centers. Online Communities: Platforms like Goodreads have virtual book clubs and discussion groups.
10. Can I read Kato Alternator Manual books for free? Public Domain Books: Many classic books are available for free as they're in the public domain. Free E-books: Some websites offer free e-books legally, like Project Gutenberg or Open Library.

Find Kato Alternator Manual :

[el cuaderno de noah](#)

[el osito berreon the bear](#)

[el caribe un paraiso culinario](#)

el gran teatro

[el criador de gorilas un viaje terrible el libro de bolsillo](#)

el mito del lider

el cerdo feroz

el gato con botas los tomitostinys

el fabricante de lecciones desde romanos hasta ap

[el espacio privado cinco siglos en veinte palabras](#)

[el mar](#)

einfulhrung in die methode branch bound

[el eterno amante](#)

el nuevo pasado mexicano

ekonomichni ta sotsialni aspekti rozvitku apk i silskikh teritorii zbirnik naukovikh prats

Kato Alternator Manual :

Order of Christian Funerals: Vigil Service and Evening Prayer This is a necessary companion book to Vigil Service and Evening Prayer - People's Edition. Because it contains the full services for the Vigil and Evening ... Order of Christian Funerals: Ritual Edition: : 9780814615003 A handsomely bound, gold-stamped book, the Minister's Edition contains the basic texts for Vigil Services, funeral liturgies, and committal services for adults ... Order of Christian Funerals: Vigil Service and Evening Prayer This is a necessary companion book to Vigil Service and Evening Prayer - People's Edition. Because it contains the full services for the Vigil and Evening ... Order of Christian Funerals: Vigil Service and Evening Prayer The Order of Christian Funerals presents a strong message of hope and an emphasis on participation by the assembly. Read more ... The Order for Funerals The Vigil for the Deceased or an extended period of prayer before a Funeral Mass may be accompanied by the appropriate canonical hour from the Office for ... The Order of Christian Funerals - The Vigil for the Deceased At the vigil, the Christian community gathers in prayer to console and support the grieving family and to intercede with God for the deceased. The Order of Christian Funerals Instead a Memorial Mass or Memorial Prayer Service is prayed. ... If a family has a relationship with a priest who is willing to lead the Vigil service, Funeral ... The Order of Christian Funerals: vigil Nov 17, 2020 — "Vigil" implies an extended form of readings and prayers that go on through the night. The mother of all vigils is the Easter Vigil, even ... Order of Christian Funerals Minister's Edition - St. Jude Shop A handsomely bound, gold-stamped book, the Minister's Edition contains the basic texts for Vigil Services, funeral liturgies, and committal services for ... Vigil Service and Evening Prayer by Liturgical Pr ... Order of Christian Funerals: Vigil Service and Evening Prayer. Liturgical Pr 2000-08-01. Opened in 1989, Online Since 1995. English Quiz ; Harrison Bergeron: Completely Equal Study with Quizlet and memorize flashcards containing terms like Describe the state of the U.S. society as described in the first paragraph. Harrison Bergeron Questions Flashcards People are suppressed so that everyone is considered in the same level. Now everyone is considered to be "equal," but really they are harming the entire nation. Harrison Bergeron Questions - Nothing seek, nothing find How has "equality" been achieved? Everything is equal in the society, such as people's knowledge and beauty. People achieved "equality" by making everyone's ... Discussion Questions for Harrison Bergeron Discussion Questions for "Harrison Bergeron". How is the idea of equality different in 2081 than it is today? (1). Harrison Bergeron: Completely Equal Harrison Bergeron: Completely Equal. Answer the following questions as thoroughly as possible. 1. Describe the state of the U.S. society as described in the ... Harrison Bergeron Questions and Answers Harrison Bergeron Questions and Answers. How does Vonnegut employ ... What are two advantages if everyone were completely equal, like in "Harrison Bergeron"? Copy of Jaimie Li - Harrison Bergeron Completely Equal ... Harrison Bergeron: Completely Equal Directions: Answer the following questions as thoroughly as possible and in complete sentences. Harrison Bergeron Completely Equal Questions And ... Harrison Bergeron Completely Equal. Questions And Answers Pdf. INTRODUCTION

Harrison Bergeron Completely Equal. Questions And Answers Pdf (Download Only) Harrison Bergeron Harrison Bergeron quiz for 7th grade students. Find other quizzes for English and more on Quizizz for free! "Harrison Bergeron" Review ... Harrison Bergeron" Review quiz for 8th grade ... Attempting to achieve complete equality will only result in widespread dissatisfaction and lack of creativity. Solution manual for Medical Law and Ethics 4th edition by ... Worksheet and Test Answer Keys. Chapter 1. Worksheet 1. Define the terms. 1. Medical ethics is an applied ethics, meaning that it is the practical ... Medical Law and Ethics 4th Edition Fremgen Solutions ... Mar 9, 2023 — Medical Law and Ethics 4th Edition Fremgen Solutions Manual Full download: ... Medical Law and Ethics, 4th Ed., Bonnie F. Fremgen, Ch 1, ... Study with Quizlet and memorize flashcards containing terms like A problem that occurs when using a duty-based approach to ethics is, Moral issues that ... Chapter 1-6 Study Guide For Medical Law and Ethics ... Chapter 1-6 Study Guide For Medical Law and Ethics fourth edition Bonnie F. Fremgen Book. Flashcards · Learn · Test · Match · Q-Chat. Sources of Law. Solution Manual for Medical Law and Ethics, 4th Edition, 4 ... Solution Manual for Medical Law and Ethics 4th Edition 4 e Bonnie f Fremgen - Free download as PDF File (.pdf), Text File (.txt) or read online for free. Medical Law and Ethics 4th Edition Textbook Solutions This is a complete, accessible, and up-to-date guide to the law and ethics of healthcare. Written for health professionals of all kinds ndash; ... Solution Manual for Medical Law and Ethics 4th Edition 4 ... 7. What are six examples of fraud in medical practice? · 1. liable c. legally responsible for one's actions · 2. rider f. add-on to an insurance policy · 3. Medical Law and Ethics 4th Edition Fremgen Test Bank Jan 18, 2019 — Medical Law and Ethics 4th Edition Fremgen Test Bank - Download as a PDF or view online for free. Contemporary Issues In Healthcare Law And Ethics 4th ... Unlike static PDF Contemporary Issues in Healthcare Law and Ethics 4th Edition solution manuals or printed answer keys, our experts show you how to solve ... Medical Law and Ethics (4th Edition) by Fremgen, Bonnie F. This is a complete, accessible, and up-to-date guide to the law and ethics of healthcare. Written for health professionals of all kinds - not lawyers ...