



Dishwashers

Safety Instructions 2-3

Operating Instructions

Care and Cleaning 11

Getting Started 4-5

Loading and Place Settings 8-9

Loading the silverware baskets 10

Using the Dishwasher 6-7

Troubleshooting Tips 12-14

Consumer Support

Consumer Support 16

Warranty 15

Owner's Manual

Dishwashers
ADT520 Series
GDF510-540 Series
GDT530-550 Series

Lave-vaisselle

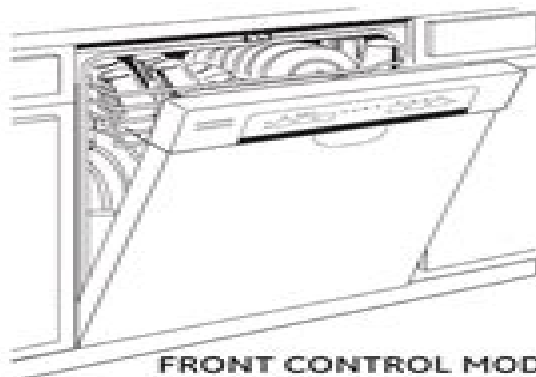
Manuel d'utilisation

La section française commence à la page 17

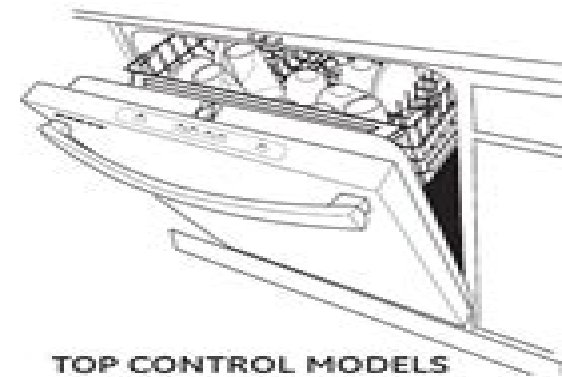
Lavaplatos

Manual del propietario

La sección en español empieza en la página 33



FRONT CONTROL MODELS



TOP CONTROL MODELS

Write the model and serial numbers here:

Model # _____

Serial # _____

You can find them on the tub wall just inside the door.

Ge 29888gc1 A Operating Manual

J Elliott



Ge 29888gc1 A Operating Manual:

Uncover the mysteries within Explore with is enigmatic creation, Discover the Intrigue in **Ge 29888gc1 A Operating Manual** . This downloadable ebook, shrouded in suspense, is available in a PDF format (Download in PDF: *). Dive into a world of uncertainty and anticipation. Download now to unravel the secrets hidden within the pages.

<https://staging.conocer.cide.edu/About/browse/default.aspx/little%20of%20farmyard%20tales.pdf>

Table of Contents Ge 29888gc1 A Operating Manual

1. Understanding the eBook Ge 29888gc1 A Operating Manual
 - The Rise of Digital Reading Ge 29888gc1 A Operating Manual
 - Advantages of eBooks Over Traditional Books
2. Identifying Ge 29888gc1 A Operating Manual
 - Exploring Different Genres
 - Considering Fiction vs. Non-Fiction
 - Determining Your Reading Goals
3. Choosing the Right eBook Platform
 - Popular eBook Platforms
 - Features to Look for in an Ge 29888gc1 A Operating Manual
 - User-Friendly Interface
4. Exploring eBook Recommendations from Ge 29888gc1 A Operating Manual
 - Personalized Recommendations
 - Ge 29888gc1 A Operating Manual User Reviews and Ratings
 - Ge 29888gc1 A Operating Manual and Bestseller Lists
5. Accessing Ge 29888gc1 A Operating Manual Free and Paid eBooks
 - Ge 29888gc1 A Operating Manual Public Domain eBooks
 - Ge 29888gc1 A Operating Manual eBook Subscription Services
 - Ge 29888gc1 A Operating Manual Budget-Friendly Options
6. Navigating Ge 29888gc1 A Operating Manual eBook Formats

- ePub, PDF, MOBI, and More
 - Ge 29888gc1 A Operating Manual Compatibility with Devices
 - Ge 29888gc1 A Operating Manual Enhanced eBook Features
7. Enhancing Your Reading Experience
 - Adjustable Fonts and Text Sizes of Ge 29888gc1 A Operating Manual
 - Highlighting and Note-Taking Ge 29888gc1 A Operating Manual
 - Interactive Elements Ge 29888gc1 A Operating Manual
 8. Staying Engaged with Ge 29888gc1 A Operating Manual
 - Joining Online Reading Communities
 - Participating in Virtual Book Clubs
 - Following Authors and Publishers Ge 29888gc1 A Operating Manual
 9. Balancing eBooks and Physical Books Ge 29888gc1 A Operating Manual
 - Benefits of a Digital Library
 - Creating a Diverse Reading Collection Ge 29888gc1 A Operating Manual
 10. Overcoming Reading Challenges
 - Dealing with Digital Eye Strain
 - Minimizing Distractions
 - Managing Screen Time
 11. Cultivating a Reading Routine Ge 29888gc1 A Operating Manual
 - Setting Reading Goals Ge 29888gc1 A Operating Manual
 - Carving Out Dedicated Reading Time
 12. Sourcing Reliable Information of Ge 29888gc1 A Operating Manual
 - Fact-Checking eBook Content of Ge 29888gc1 A Operating Manual
 - Distinguishing Credible Sources
 13. Promoting Lifelong Learning
 - Utilizing eBooks for Skill Development
 - Exploring Educational eBooks
 14. Embracing eBook Trends
 - Integration of Multimedia Elements
 - Interactive and Gamified eBooks

Ge 29888gc1 A Operating Manual Introduction

Free PDF Books and Manuals for Download: Unlocking Knowledge at Your Fingertips In today's fast-paced digital age, obtaining valuable knowledge has become easier than ever. Thanks to the internet, a vast array of books and manuals are now available for free download in PDF format. Whether you are a student, professional, or simply an avid reader, this treasure trove of downloadable resources offers a wealth of information, conveniently accessible anytime, anywhere. The advent of online libraries and platforms dedicated to sharing knowledge has revolutionized the way we consume information. No longer confined to physical libraries or bookstores, readers can now access an extensive collection of digital books and manuals with just a few clicks. These resources, available in PDF, Microsoft Word, and PowerPoint formats, cater to a wide range of interests, including literature, technology, science, history, and much more. One notable platform where you can explore and download free Ge 29888gc1 A Operating Manual PDF books and manuals is the internet's largest free library. Hosted online, this catalog compiles a vast assortment of documents, making it a veritable goldmine of knowledge. With its easy-to-use website interface and customizable PDF generator, this platform offers a user-friendly experience, allowing individuals to effortlessly navigate and access the information they seek. The availability of free PDF books and manuals on this platform demonstrates its commitment to democratizing education and empowering individuals with the tools needed to succeed in their chosen fields. It allows anyone, regardless of their background or financial limitations, to expand their horizons and gain insights from experts in various disciplines. One of the most significant advantages of downloading PDF books and manuals lies in their portability. Unlike physical copies, digital books can be stored and carried on a single device, such as a tablet or smartphone, saving valuable space and weight. This convenience makes it possible for readers to have their entire library at their fingertips, whether they are commuting, traveling, or simply enjoying a lazy afternoon at home. Additionally, digital files are easily searchable, enabling readers to locate specific information within seconds. With a few keystrokes, users can search for keywords, topics, or phrases, making research and finding relevant information a breeze. This efficiency saves time and effort, streamlining the learning process and allowing individuals to focus on extracting the information they need. Furthermore, the availability of free PDF books and manuals fosters a culture of continuous learning. By removing financial barriers, more people can access educational resources and pursue lifelong learning, contributing to personal growth and professional development. This democratization of knowledge promotes intellectual curiosity and empowers individuals to become lifelong learners, promoting progress and innovation in various fields. It is worth noting that while accessing free Ge 29888gc1 A Operating Manual PDF books and manuals is convenient and cost-effective, it is vital to respect copyright laws and intellectual property rights. Platforms offering free downloads often operate within legal boundaries, ensuring that the materials they provide are either in the public domain or authorized for distribution. By adhering to copyright laws, users can enjoy the benefits of free access to knowledge while supporting the authors and

publishers who make these resources available. In conclusion, the availability of Ge 29888gc1 A Operating Manual free PDF books and manuals for download has revolutionized the way we access and consume knowledge. With just a few clicks, individuals can explore a vast collection of resources across different disciplines, all free of charge. This accessibility empowers individuals to become lifelong learners, contributing to personal growth, professional development, and the advancement of society as a whole. So why not unlock a world of knowledge today? Start exploring the vast sea of free PDF books and manuals waiting to be discovered right at your fingertips.

FAQs About Ge 29888gc1 A Operating Manual Books

1. Where can I buy Ge 29888gc1 A Operating Manual books? Bookstores: Physical bookstores like Barnes & Noble, Waterstones, and independent local stores. Online Retailers: Amazon, Book Depository, and various online bookstores offer a wide range of books in physical and digital formats.
2. What are the different book formats available? Hardcover: Sturdy and durable, usually more expensive. Paperback: Cheaper, lighter, and more portable than hardcovers. E-books: Digital books available for e-readers like Kindle or software like Apple Books, Kindle, and Google Play Books.
3. How do I choose a Ge 29888gc1 A Operating Manual book to read? Genres: Consider the genre you enjoy (fiction, non-fiction, mystery, sci-fi, etc.). Recommendations: Ask friends, join book clubs, or explore online reviews and recommendations. Author: If you like a particular author, you might enjoy more of their work.
4. How do I take care of Ge 29888gc1 A Operating Manual books? Storage: Keep them away from direct sunlight and in a dry environment. Handling: Avoid folding pages, use bookmarks, and handle them with clean hands. Cleaning: Gently dust the covers and pages occasionally.
5. Can I borrow books without buying them? Public Libraries: Local libraries offer a wide range of books for borrowing. Book Swaps: Community book exchanges or online platforms where people exchange books.
6. How can I track my reading progress or manage my book collection? Book Tracking Apps: Goodreads, LibraryThing, and Book Catalogue are popular apps for tracking your reading progress and managing book collections. Spreadsheets: You can create your own spreadsheet to track books read, ratings, and other details.
7. What are Ge 29888gc1 A Operating Manual audiobooks, and where can I find them? Audiobooks: Audio recordings of books, perfect for listening while commuting or multitasking. Platforms: Audible, LibriVox, and Google Play Books offer a wide selection of audiobooks.

8. How do I support authors or the book industry? Buy Books: Purchase books from authors or independent bookstores. Reviews: Leave reviews on platforms like Goodreads or Amazon. Promotion: Share your favorite books on social media or recommend them to friends.
9. Are there book clubs or reading communities I can join? Local Clubs: Check for local book clubs in libraries or community centers. Online Communities: Platforms like Goodreads have virtual book clubs and discussion groups.
10. Can I read Ge 29888gc1 A Operating Manual books for free? Public Domain Books: Many classic books are available for free as they're in the public domain. Free E-books: Some websites offer free e-books legally, like Project Gutenberg or Open Library.

Find Ge 29888gc1 A Operating Manual :

[little of farmyard tales](#)

~~[little mr thimblefinger his queer coun](#)~~

little games

little engine that could bath

[literature of the second self](#)

little bits of whimsy a pattern

[little bears loose tooth](#)

[little grandmother of the russian revolu](#)

[literary use of the psychoanalytic process](#)

little grunt and the big egg

little eagle learns to fly

~~[literature and possible worlds](#)~~

[literature religion and society in wales 1660-1730](#)

litta ratures francophones et tha orie postcoloniale ecritures francophones

little boys activity bible for toddlers

Ge 29888gc1 A Operating Manual :

dirk gently two bbc radio full cast dramas penguin books uk - Sep 08 2023

web doctor who city of death doctor who shada the complete bbc radio collection bringing together two full cast

dramatisations of douglas adams s dirk gently novels in dirk gently s holistic detective agency dirk gently has an unshakeable belief in the interconnectedness of all things but his holistic detective agency mainly succeeds in
[dirk gently the bbc radio collection two bbc radio full cast dramas](#) - Apr 22 2022

web feb 1 2017 harry enfield stars as the eponymous detective in two full cast dramatizations of douglas adams dirk gently novels directed by the award winning dirk maggs in dirk gently s holistic detective agency dirk is drawn into a four billion year old mystery that must be solved if the human race is to avoid immediate extinction

dirk gently two bbc radio full cast dramas dirk gently s - May 04 2023

web dirk gently two bbc radio full cast dramas dirk gently s holistic detective agency and the long dark tea time of the soul audible audiobook original recording douglas adams author harry enfield narrator olivia colman narrator jan ravens narrator peter davison narrator billy boyd narrator full cast narrator bbc audio

[dirk gently the bbc radio collection two bbc radio full cast dramas](#) - Oct 09 2023

web buy dirk gently the bbc radio collection two bbc radio full cast dramas by adams douglas full cast enfield harry colman olivia from amazon s fiction books store everyday low prices on a huge range of new releases and classic fiction

[dirk gently two bbc radio full cast dramas toronto public](#) - Feb 18 2022

web the complete bbc radio collection bringing together two full cast dramatisations of douglas adams s dirk gently novels in dirk gently s holistic detective agency dirk gently has an unshakeable belief in the interconnectedness of all things but his holistic detective agency mainly succeeds in tracking down missing cats for old ladies

[dirk gently the bbc radio collection two bbc radio full cast dramas](#) - Jun 24 2022

web harry enfield stars as the eponymous detective in two full cast radio dramatisations of douglas adams dirk gently novels dirk gently has an unshakeable faith in the interconnectedness of all things but his holistic detective agency mainly succeeds in tracking down missing cats until he becomes embroiled in two surreal supernatural

dirk gently two bbc radio full cast dramas audible ca - May 24 2022

web dirk gently two bbc radio full cast dramas as it s meant to be heard narrated by harry enfield olivia colman jan ravens peter davison billy boyd full cast discover the english audiobook at audible free trial available

[dirk gently the bbc radio collection two bbc radio full cast dramas](#) - Aug 27 2022

web harry enfield stars as the eponymous detective in two full cast dramatizations of douglas adams dirk gently novels directed by the award winning dirk maggs in dirk gently s holistic detective agency dirk is drawn into a four billion year old mystery that must be solved if the human race is to avoid immediate extinction

[dirk gently two bbc radio full cast dramas audible uk](#) - Feb 01 2023

web the complete bbc radio collection bringing together two full cast dramatisations of douglas adams s dirk gently novels in

dirk gently s holistic detective agency dirk gently has an unshakeable belief in the interconnectedness of all things but his holistic detective agency mainly succeeds in tracking down missing cats for old ladies

dirk gently two bbc radio full cast dramas apple books - Mar 02 2023

web dec 19 2019 the complete bbc radio collection bringing together two full cast dramatisations of douglas adams s dirk gently novels in dirk gently s holistic detective agency dirk gently has an unshakeable belief in the interconnectedness of all things but his holistic detective agency mainly

dirk gently two bbc radio full cast dramas audible com au - Sep 27 2022

web dirk gently two bbc radio full cast dramas as it s meant to be heard narrated by harry enfield olivia colman jan ravens peter davison billy boyd full cast discover the english audiobook at audible free trial available

dirk gently two bbc radio full cast dramas dirk gently s - Jun 05 2023

web listen to dirk gently two bbc radio full cast dramas dirk gently s holistic detective agency and the long dark tea time of the soul on spotify

dirk gently two bbc radio full cast dramas overdrive - Nov 29 2022

web dec 19 2019 the complete bbc radio collection bringing together two full cast dramatisations of douglas adams s dirk gently novels in dirk gently s holistic detective agency dirk gently has an unshakeable belief in the interconnectedness of

dirk gently two bbc radio full cast dramas goodreads - Jul 06 2023

web dec 19 2019 buy on amazon rate this book dirk gently two bbc radio full cast dramas douglas adams 3 89 56 ratings8 reviews dirk gently is a detective well a sort of detective there is a long and honourable tradition of great detectives and dirk gently does not belong to it

dirk gently two bbc radio full cast dramas apple books - Apr 03 2023

web dec 19 2019 the complete bbc radio collection bringing together two full cast dramatisations of douglas adams s dirk gently novels in dirk gently s holistic detective agency dirk gently has an unshakeable belief in the interconnectedness of all things but his holistic detective agency mainly

stream bbc radio drama dirk gently the bbc radio - Jul 26 2022

web directed for bbc radio 4 by dirk maggs chosen by douglas adams to conclude the award winning the hitchhiker s guide to the galaxy these fantastically entertaining comedy sci fi dramas star harry enfield as dirk gently with olivia colman billy boyd andrew sachs john fortune peter davison jan ravens susan sheridan jim carter

dirk gently the bbc radio collection two bbc radio full cast dramas - Mar 22 2022

web jun 4 2017 find many great new used options and get the best deals for dirk gently the bbc radio collection two bbc radio full cast dramas by douglas adams audio cd 2016 at the best online prices at ebay free delivery for many products

dirk gently two bbc radio full cast dramas dirk gently s - Dec 31 2022

web narrator release date december 2019 duration 9 hours 40 minutes summary the complete bbc radio collection bringing together two full cast dramatisations of douglas adams s dirk gently novels

dirk gently two bbc radio full cast dramas audible com - Aug 07 2023

web dirk gently two bbc radio full cast dramas dirk gently s holistic detective agency and the long dark tea time of the soul by douglas adams narrated by harry enfield olivia colman jan ravens peter davison billy boyd full cast length 6 hrs and 55 mins

dirk gently two bbc radio full cast dramas dirk gently s - Oct 29 2022

web dirk gently two bbc radio full cast dramas dirk gently s holistic detective agency and the long dark tea time of the soul audio download douglas adams harry enfield olivia colman jan ravens peter davison billy boyd full cast bbc audio amazon com au books

padres conscientes educar para crecer spanish edition - Jul 22 2023

web padres conscientes educar para crecer spanish edition edición kindle edición en español de dra shefali tsabary author formato edición kindle 4 8 531 calificaciones ver todos los formatos y ediciones kindle us 10 99 leer con nuestra aplicación gratuita pasta blanda us 15 95 8 usado de us 7 94 11 nuevo de us 11 01

padres conscientes educar para crecer spanish edi pdf - Oct 13 2022

web jul 30 2023 padres conscientes educar para crecer spanish edi 2 9 downloaded from uniport edu ng on july 30 2023 by guest intercultural educatiion maría teresa aguado odina 2009 the nineteenth century in the prado museo del prado 2008 this is effectively a historical journey through the works of the great 19th century spanish masters from

padres conscientes educar para crecer spanish edition by - Jan 04 2022

web jun 10 2023 para crear objetivos con alma padres conscientes educar para crecer spanish edition primuxas blogger pdf la inteligencia emocional de los padres y de los hijos padres conscientes educar para crecer ebook kobo edition o educar a un perro spanish edition pdf todo mundo fala guitars for sale pare the latest padres

padres conscientes educar para crecer casa del - Apr 19 2023

web sinopsis de padres conscientes educar para crecer ha llegado el momento de que la crianza de los hijos se ocupe de lo que debería haberse ocupado siempre de los padres una visión diferente e innovadora de la doctora shefali tsabary para la crianza de los hijos prólogo del dalai lama

padres conscientes educar para crecer spanish edi copy - Jun 09 2022

web padres conscientes educar para crecer spanish edi educar sin miedo a sentir aug 28 2022 educar sin miedo a sentir es un libro que ofrece reflexiones sobre el don de ser padres es la oportunidad de crecer emocionalmente junto a los hijos es ir

en un proceso donde se asume cada emoción de acuerdo a la experiencia

padres conscientes educar para crecer spanish edition by - Mar 18 2023

web educar para crecer spanish edition shefali tsabary prólogo del dalai lama la doctora shefali tsabary explica que nuestros hijos solo pueden convertirse en adultos conscientes si nosotros como padres procuramos elevarnos a un estado superior de consciencia

padres conscientes educar para crecer spanish edition by - May 20 2023

web padres conscientes educar para crecer spanish edition 101 mejores imgenes de educacin educacion psicologia dr shefali tsabary de padres conscientes educar para crecer spanish edition dr shefali tsabary co uk padres conscientes educar para crecer book 2015 primuxas blogger padres conscientes educar para crecer ebook kobo

padres conscientes educar para crecer spanish edition by - Sep 12 2022

web in the trajectory of them is this padres conscientes educar para crecer spanish edition by shefali tsabary that can be your associate so once you requisite the books quickly you can straight get it padres conscientes educar para crecer spanish edition br ebooks kindle disciplina sin lgrimas una padres conscientes educar para crecer book 2015

padres conscientes educar para crecer pasta blanda - Jan 16 2023

web ver todos los formatos y ediciones este valioso libro explica como los desafíos de la crianza pueden convertirse en una magnífica oportunidad para el despertar espiritual ha llegado el momento de que la crianza de los hijos se ocupe de lo que debería haberse ocupado siempre de los padres

padres conscientes educar para crecer google books - Aug 23 2023

web mar 18 2015 dra shefali tsabary penguin random house grupo editorial españa mar 18 2015 family relationships 304 pages ha llegado el momento de que la crianza de los hijos se ocupe de lo que

padres conscientes educar para crecer libroshernandez com - Nov 14 2022

web en resumen padres conscientes educar para crecer es un libro que propone una nueva forma de educar a los hijos basada en la conciencia y la conexión emocional entre padres e hijos la autora ofrece herramientas prácticas para que los padres puedan aplicar estos conceptos en la vida diaria y mejorar la relación con sus hijos

padres conscientes educar para crecer pasta blanda - Dec 15 2022

web padres conscientes educar para crecer pasta blanda 1 julio 2019 ha llegado el momento de que la crianza de los hijos se ocupe de lo que debería haberse ocupado siempre de los padres una visión diferente e innovadora de la doctora shefali tsabary para la crianza de los hijos

padres conscientes educar para crecer spanish edition by - May 08 2022

web may 3 2023 padres conscientes educar para crecer spanish edition by shefali tsabary visión diferente e innovadora de

la doctora shefali tsabary para la crianza de los hijos prólogo del dalai lama la doctora shefali tsabary explica que nuestros hijos solo pueden convertirse en adultos conscientes si nosotros como padres

[padres conscientes educar para crecer spanish edi copy](#) - Jul 10 2022

web apr 14 2023 [padres conscientes educar para crecer spanish edi 2 6](#) downloaded from uniport edu ng on april 14 2023

by guest autism the facts this new volume by simon baron cohen summarizes the current understanding of the autistic spectrum from asperger syndrome to autism written first and foremost as a guide for parents but what is also

padres conscientes educar para crecer spanish edition - Jun 21 2023

web mar 18 2015 [buy padres conscientes educar para crecer spanish edition](#) read kindle store reviews amazon com

padres conscientes educar para crecer spanish edition - Feb 17 2023

web md5 of a better version of this file if applicable fill this in if there is another file that closely matches this file same edition same file extension if you can find one which people should use instead of this file

[download pdf padres conscientes educar para crecer spanish](#) - Aug 11 2022

web keep centered put aside an amount of time for investigate and like that youll be a lot less distracted by very things you locate on line because your time and energy will likely be constrained [padres conscientes educar para crecer spanish edition](#) i used to be watching his shows just about day by day

padres conscientes educar para crecer spanish edi - Feb 05 2022

web may 31 2023 [padres conscientes educar para crecer spanish edi 2 10](#) downloaded from uniport edu ng on may 31 2023

by guest kiss me carlos gonzález 2020 06 11 how we parent our children is at the heart of our relationships with them and dr carlos gonzalez a renowned spanish paediatrician and

padres conscientes educar para crecer spanish edi copy - Mar 06 2022

web jun 15 2023 you could purchase lead [padres conscientes educar para crecer spanish edi](#) or get it as soon as feasible you could quickly download this [padres conscientes educar para crecer spanish edi](#) after getting deal so once you require the ebook swiftly you can straight acquire it its correspondingly extremely simple and for that reason fats

padres conscientes educar para crecer spanish edition by - Apr 07 2022

web [padres conscientes educar para crecer spanish edition](#) [padres conscientes educar para crecer no ficcin sin control por qu castigar a tu hijo no funciona p2p summer 17 spanish by angel d amico bauer](#) issuu 8 mejores imgenes de hijos crianza de los hijos dr shefali tsabary co uk ser [padres conscientes siegel daniel j hartzell mary disciplina](#)

[cga past exams pa1 ol wise edu jo](#) - Nov 22 2022

web [cga past exams pa1 1 cga past exams pa1](#) right here we have countless books [cga past exams pa1](#) and collections to check out we additionally come up with the money for variant types and after that type of the books to browse the agreeable

book fiction history novel scientific research as without
[pa1 cga exams admin store motogp com](#) - Aug 20 2022

web main exams 5th edition civil services theory previous year practice objective subjective question bank deontic logic and normative systems microbial biotechnology who s who among american high school students 2005 2006 2 pa1 cga exams 2022 07 11 explanation for every question on the exam real time rendering springer
[exam results psg college of arts science](#) - May 17 2022

web for admissions related queries please contact 0422 4303322 3300 admission psgcas ac in 9150044017 18 19 20
[cga past exams pa1 uniport edu ng](#) - Oct 22 2022

web cga past exams pa1 2 11 downloaded from uniport edu ng on march 17 2023 by guest highlight special notes or instructions specific to either the entry level crt or advanced exam rrt to help students use their study time more effectively other key information relevant to the respiratory therapist is featured in specially shaded boxes

[cga past exams pa1 uniport edu ng](#) - Feb 11 2022

web apr 22 2023 [cga past exams pa1 2 11](#) downloaded from uniport edu ng on april 22 2023 by guest users wishing to seek clarification on linux unix posix related terms and jargon at approximately 24000 definitions and two thousand pages it is one of the largest linux related dictionaries currently available due to the rapid rate at which new terms are

[cga job exam question solution pdf download in bd allalo](#) - Apr 15 2022

web sep 18 2020 a cga question solution download link can be found in this post resolution of the comptroller and auditor general cga exam questions resolution 2020 the above accounts of comptroller general cga has issued a job circular by the authority the office of the comptroller general of accounts cga is one of the largest government

[cga exam question and solution 2020 campustimesbd com](#) - Jul 19 2022

web sep 18 2020 we always update all cga exam question and solution 2020 examination questions for various posts of the office of the controller general of accounts cga 2020 exam date 18 september 2020 exam type written exam marks 70 exam duration 1 30 hours cga cga exam date notice cga exam notice cga website address for more

[cga pa1 exam redflagdeals com forums 2023 2024 cfa exams](#) - Sep 20 2022

web how difficult is the pa1 exam furthermore make the assignments help refresh old material bests way to review for the exam because at only 2 by exams

psg college of technology mca entrance exam syllabus - Jun 17 2022

web mar 27 2018 psg college of technology mca entrance exam syllabus general awareness english grammar comprehension vocabulary and subjects in disciples namely commerce computer awareness physics and statistics mathematical ability the expected standard is of ancillary mathematics of the eligible degree course logical

[cga pa1 exam free essays studymode](#) - Jun 29 2023

web cga exam pa1 issues in professional practice practice examination 1 pa1 before starting to write the examination make sure that it is complete and that there are no printing defects this examination consists of 19 pages there are 4 questions

[cga past exams pa1 theletdowns com](#) - May 29 2023

web cga past exams pa1 this is likewise one of the factors by obtaining the soft documents of this cga past exams pa1 by online you might not require more mature to spend to go to the book start as with ease as search for them in some cases you likewise pull off not discover the message cga past exams pa1 that you are looking for

[examination cga controller general of accounts](#) - Feb 23 2023

web nov 1 2023 examination the controller general of accounts conducts various examinations for the purpose of promotion and assessment of suitability of an employee for retention in posts the examinations conducted are aao civil exam cbt registration portal for the aao civil cbt

[cga past exams pa1 db udrive ae](#) - Oct 02 2023

web cga past exams pa1 3 3 updates and revisions in their individual areas of study a reorganized chapter presentation provides a clear more student friendly introduction to course material than ever before updated content throughout to keep pace with this fast paced field reorganized chapter presentation provides a clear student

[cga past exams pa1 uniport edu ng](#) - Mar 15 2022

web cga past exams pa1 2 12 downloaded from uniport edu ng on october 10 2023 by guest physics principles relevant to nurse anesthetists provides end of chapter summaries and review questions includes abundant illustrations highlighting application of theory to practice readings in the economics of education john d murgo 1972

[cga past exams pa1 portal nivbook co il](#) - Jan 25 2023

web 4 cga past exams pa1 2023 07 17 audio you ll find four complete examination papers plus details of the different parts of the test and the scoring system so you familiarise yourself with the test format and practise your exam technique this book comes with answers tape scripts and sample writing answers this book does not contain the

[cga past exams pa1 forms indiraedu com](#) - Mar 27 2023

web cga past exams pa1 unveiling the magic of words a review of cga past exams pa1 in a world defined by information and interconnectivity the enchanting power of words has acquired unparalleled significance their ability to kindle emotions provoke contemplation and ignite transformative change is truly awe inspiring enter the realm of cga

cga pa1 and pa2 exams preparation courses registration is full - Apr 27 2023

web aug 8 2012 are you in the process of preparing for your pa1 or pa2 exam for fall of 2012 or spring of 2013 there are free exam review courses at cpac as one of the components in the cpac gateway for accounting and finance professionals

program the exam review courses will help learners understand the exam style

pa1 cga past exams agenciaojs mincyt gob ar - Jul 31 2023

web pa1 cga past exams this is likewise one of the factors by obtaining the soft documents of this pa1 cga past exams by online you might not require more time to spend to go to the ebook instigation as well as search for them in some cases you likewise do not discover the proclamation pa1 cga past exams that you are

fillable online cga pa1 past exam pdffiller - Sep 01 2023

web cga students students who are pursuing the certified general accountant cga designation may need to take the cga pa1 past exam this exam is often a requirement for completing the cga program and moving forward in their accounting careers

cga pa1 past exams pdf ebook and manual free download - Dec 24 2022

web gcse science intervention 2010 pdf accessing past papers the examination board ocr has copies of all the past papers for the physics chemistry biology exams and the additional applied science exams