

Group 10 Sensors and Switches

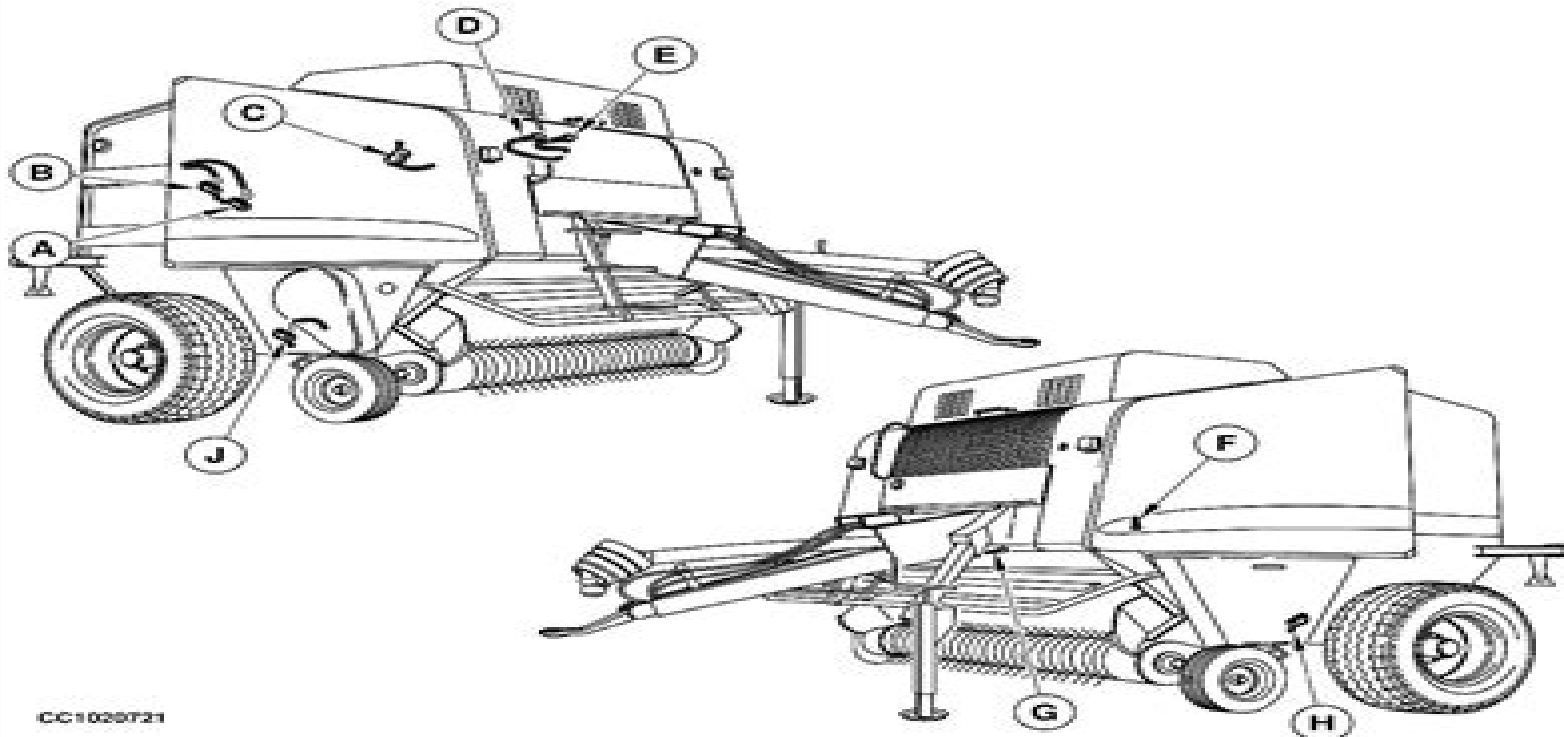
Specifications

Item	Measurement	Specification
Oversize/Gate Switch (Baler With BaleTrak Control Monitor)	Distance	741 mm (29.180 D4 in.)
Full-Size Bale Switch	Distance	741 mm (2.9740 D4 in.)
Net Cut Switch	Distance	741 mm (2.9740 D4 in.)

Item	Measurement	Specification
Twine Pulley Sensors (Baler With BaleTrak Control Monitor)	Distance	2 to 4 mm (0.08 to 0.16 in.)
Baler Speed Sensor (Baler With BaleTrak Control Monitor)	Distance	240.5 mm (9.0845 D02 in.)
Preautler Reverse Sensor (S78 With Preautler)	Distance	1041 mm (41.445 D4 in.)

©JCB2007,200809-19-20071019

Component Identification



CC1029721

©C1029721-LPR Component Location

LEGEND:

A-Oversize/Gate Switch S1 (Baler with BaleTrak Control Monitor)
 B-Full-Size Bale Switch S1 (Baler with ELC Monitor) or S3 (Baler with BaleTrak Control Monitor)
 C-Net Cut Switch S2 (Baler with ELC Monitor) or S4 (Baler with BaleTrak Control Monitor)
 D-Right Twine Pulley Sensor S8
 E-Left Twine Pulley Sensor S7
 F-Speed Sensor S6

G-Reverser Sensor S9
 H-Knife Sensor S10
 J-Knife Sensor S11

In the following section, each component is identified with a letter and a number.

©JCB2007,200809-19-20071019

John Deere 578 Baler Manual

D Kirk



John Deere 578 Baler Manual:

Embark on a transformative journey with is captivating work, Grab Your Copy of **John Deere 578 Baler Manual** . This enlightening ebook, available for download in a convenient PDF format Download in PDF: , invites you to explore a world of boundless knowledge. Unleash your intellectual curiosity and discover the power of words as you dive into this riveting creation. Download now and elevate your reading experience to new heights .

https://staging.conocer.cide.edu/About/uploaded-files/default.aspx/jaguar_sovereign_xj6_1997_manual.pdf

Table of Contents John Deere 578 Baler Manual

1. Understanding the eBook John Deere 578 Baler Manual
 - The Rise of Digital Reading John Deere 578 Baler Manual
 - Advantages of eBooks Over Traditional Books
2. Identifying John Deere 578 Baler Manual
 - Exploring Different Genres
 - Considering Fiction vs. Non-Fiction
 - Determining Your Reading Goals
3. Choosing the Right eBook Platform
 - Popular eBook Platforms
 - Features to Look for in an John Deere 578 Baler Manual
 - User-Friendly Interface
4. Exploring eBook Recommendations from John Deere 578 Baler Manual
 - Personalized Recommendations
 - John Deere 578 Baler Manual User Reviews and Ratings
 - John Deere 578 Baler Manual and Bestseller Lists
5. Accessing John Deere 578 Baler Manual Free and Paid eBooks
 - John Deere 578 Baler Manual Public Domain eBooks
 - John Deere 578 Baler Manual eBook Subscription Services
 - John Deere 578 Baler Manual Budget-Friendly Options

6. Navigating John Deere 578 Baler Manual eBook Formats
 - ePub, PDF, MOBI, and More
 - John Deere 578 Baler Manual Compatibility with Devices
 - John Deere 578 Baler Manual Enhanced eBook Features
7. Enhancing Your Reading Experience
 - Adjustable Fonts and Text Sizes of John Deere 578 Baler Manual
 - Highlighting and Note-Taking John Deere 578 Baler Manual
 - Interactive Elements John Deere 578 Baler Manual
8. Staying Engaged with John Deere 578 Baler Manual
 - Joining Online Reading Communities
 - Participating in Virtual Book Clubs
 - Following Authors and Publishers John Deere 578 Baler Manual
9. Balancing eBooks and Physical Books John Deere 578 Baler Manual
 - Benefits of a Digital Library
 - Creating a Diverse Reading Collection John Deere 578 Baler Manual
10. Overcoming Reading Challenges
 - Dealing with Digital Eye Strain
 - Minimizing Distractions
 - Managing Screen Time
11. Cultivating a Reading Routine John Deere 578 Baler Manual
 - Setting Reading Goals John Deere 578 Baler Manual
 - Carving Out Dedicated Reading Time
12. Sourcing Reliable Information of John Deere 578 Baler Manual
 - Fact-Checking eBook Content of John Deere 578 Baler Manual
 - Distinguishing Credible Sources
13. Promoting Lifelong Learning
 - Utilizing eBooks for Skill Development
 - Exploring Educational eBooks
14. Embracing eBook Trends
 - Integration of Multimedia Elements

- Interactive and Gamified eBooks

John Deere 578 Baler Manual Introduction

John Deere 578 Baler Manual Offers over 60,000 free eBooks, including many classics that are in the public domain. Open Library: Provides access to over 1 million free eBooks, including classic literature and contemporary works. John Deere 578 Baler Manual Offers a vast collection of books, some of which are available for free as PDF downloads, particularly older books in the public domain. John Deere 578 Baler Manual : This website hosts a vast collection of scientific articles, books, and textbooks. While it operates in a legal gray area due to copyright issues, its a popular resource for finding various publications. Internet Archive for John Deere 578 Baler Manual : Has an extensive collection of digital content, including books, articles, videos, and more. It has a massive library of free downloadable books. Free-eBooks John Deere 578 Baler Manual Offers a diverse range of free eBooks across various genres. John Deere 578 Baler Manual Focuses mainly on educational books, textbooks, and business books. It offers free PDF downloads for educational purposes. John Deere 578 Baler Manual Provides a large selection of free eBooks in different genres, which are available for download in various formats, including PDF. Finding specific John Deere 578 Baler Manual, especially related to John Deere 578 Baler Manual, might be challenging as theyre often artistic creations rather than practical blueprints. However, you can explore the following steps to search for or create your own Online Searches: Look for websites, forums, or blogs dedicated to John Deere 578 Baler Manual, Sometimes enthusiasts share their designs or concepts in PDF format. Books and Magazines Some John Deere 578 Baler Manual books or magazines might include. Look for these in online stores or libraries. Remember that while John Deere 578 Baler Manual, sharing copyrighted material without permission is not legal. Always ensure youre either creating your own or obtaining them from legitimate sources that allow sharing and downloading. Library Check if your local library offers eBook lending services. Many libraries have digital catalogs where you can borrow John Deere 578 Baler Manual eBooks for free, including popular titles. Online Retailers: Websites like Amazon, Google Books, or Apple Books often sell eBooks. Sometimes, authors or publishers offer promotions or free periods for certain books. Authors Website Occasionally, authors provide excerpts or short stories for free on their websites. While this might not be the John Deere 578 Baler Manual full book , it can give you a taste of the authors writing style. Subscription Services Platforms like Kindle Unlimited or Scribd offer subscription-based access to a wide range of John Deere 578 Baler Manual eBooks, including some popular titles.

FAQs About John Deere 578 Baler Manual Books

How do I know which eBook platform is the best for me? Finding the best eBook platform depends on your reading preferences and device compatibility. Research different platforms, read user reviews, and explore their features before making a choice. Are free eBooks of good quality? Yes, many reputable platforms offer high-quality free eBooks, including classics and public domain works. However, make sure to verify the source to ensure the eBook credibility. Can I read eBooks without an eReader? Absolutely! Most eBook platforms offer web-based readers or mobile apps that allow you to read eBooks on your computer, tablet, or smartphone. How do I avoid digital eye strain while reading eBooks? To prevent digital eye strain, take regular breaks, adjust the font size and background color, and ensure proper lighting while reading eBooks. What the advantage of interactive eBooks? Interactive eBooks incorporate multimedia elements, quizzes, and activities, enhancing the reader engagement and providing a more immersive learning experience. John Deere 578 Baler Manual is one of the best book in our library for free trial. We provide copy of John Deere 578 Baler Manual in digital format, so the resources that you find are reliable. There are also many Ebooks of related with John Deere 578 Baler Manual. Where to download John Deere 578 Baler Manual online for free? Are you looking for John Deere 578 Baler Manual PDF? This is definitely going to save you time and cash in something you should think about.

Find John Deere 578 Baler Manual :

jaguar sovereign xj6 1997 manual

[jackson public schools pacing guide](#)

jamie s comfort food

[jamess horde leveling guide](#)

[jai le je taime preacutecoce pavel eacutepisode](#)

james brannan william boyce differential equations solution manual

jan 2009 f321 grade boundaries

[jabra bluetooth headset user manual](#)

jaguar x type engine diagram

[jaguar xjr 2000 owners guide](#)

[jack daniels chicken alfredo recipe](#)

[jaguar manual bellhousing](#)

[jamo a804 user guide](#)

[j weston walch geographic literacy asia maps](#)
[jacobspublishing com activity 4answers](#)

John Deere 578 Baler Manual :

[5th grade writing prompts pdf free journalbuddies com](#) - Dec 09 2022

web apr 1 2020 use the following opinion writing prompts to inspire them to start thinking and writing persuasively
prompts about school and sports school and sports related

[100 new 5th grade writing prompts yourdictionary](#) - Apr 13 2023

web twinkl tip our fifth grade opinion writing prompts span a plethora of topics and subject areas so you re sure to find something to engage and inspire all of your students

[5th grade opinion writing prompts text types](#) - Feb 11 2023

web these opinion writing prompts for 5th grade are perfect for your writing lessons or literacy centers there are 25 opinion writing worksheets so that writing for the year is

81 great fifth grade writing prompts elementary assessments - Nov 27 2021

[fun creative writing and essay topics for grade 5](#) - Sep 25 2021

49 opinion writing prompts for students thoughtco - Aug 05 2022

web opinion paper prompt that is sure to spark their interest developed for 4th 5th grade text based writing written in florida fsa format but applicable across multi

[opinion writing prompts 5th grade express your insights](#) - May 02 2022

web write a personal narrative story worksheet halloween creative writing prompt 1 the haunted house worksheet reading comprehension wizard of oz interactive

[5th grade opinion writing prompts study com](#) - Sep 06 2022

web sep 17 2023 our opinion writing prompts for 5th grade are designed to inspire insightful responses and encourage young minds to express their thoughts confidently from

[61 awesome opinion writing prompts for 5th grade students](#) - Jul 16 2023

web sep 25 2022 empower fifth graders to embrace their opinions preferences and beliefs using these exciting opinion writing prompts for 5th grade students in the process

browse printable 5th grade writing worksheets education com - Dec 29 2021

a list of topics for opinion writing for the fifth grade - Feb 28 2022

web dec 27 2022 see the full list of prompts here [journalbuddies.com](#) writing grade level 5th grade opinion writing use these 5th grade opinion writing prompts t

30 great 5th grade opinion writing prompts journal buddies - Sep 18 2023

as fifth grade students transition from elementary school to middle school they frequently become more adept at expressing their own thoughts and ideas and in many cases also even more eager to do so you can nurture this important skill in your students with our set of 30 5th grade opinion writing see more

search printable 5th grade opinion writing worksheets - Mar 12 2023

web w 5 1 write opinion pieces on topics or texts supporting a point of view with reasons and information w 5 1 a introduce a topic or text clearly state an opinion and create an

100 fun writing prompts for 5th grade splashlearn - Jan 30 2022

web aug 2 2022 welcome here you ll find 34 creative writing topics 28 bonus essay topics for grade 5 students there s no doubt about it great writing ideas are one of

36 opinion writing prompts for students journalbuddies.com - Jun 15 2023

web may 19 2020 5th grade opinion writing prompts tests like the florida standards assessment for fourth and fifth graders require students to write an opinion essay

[35 awesome 5th grade writing prompts](#) - Nov 08 2022

web apr 1 2020 the following fifth grade writing prompts encourage students to develop their skills through topics that are meaningful to them narrative essay writing prompts

[writing prompts for 5th graders thoughtco](#) - Jul 04 2022

web may 17 2019 at the fifth grade level students should be able to write a well constructed convincing opinion writing sample according to the common core state standards

[fifth grade opinion writing prompts terrific teaching tactics](#) - Oct 07 2022

web jun 23 2022 fifth grade writing prompts and journal ideas journaling helps students work out problems on paper create new ideas and work through strong feelings and

opinion writing prompts 5th grade teaching resources tpt - Apr 01 2022

web aug 6 2023 describe something you have seen that was unusual 13 explain how you would solve a problem in your community 14 write a news story about yesterday 15

5th grade opinion writing prompt utah education network - Jan 10 2023

web lesson course 6 6k views social issue opinion writing prompts some students find passion in topics that relate to social

issues arguing for one side of an issue or another

75 fifth grade writing prompts kids will love free slides - May 14 2023

web cite and explain your evidence 1 literary response worksheet writing an opinion worksheet writing an opinion worksheet writing prompt my favorite season

55 opinion writing prompts for 5th graders teacher s notepad - Aug 17 2023

you can use our list of ideas to assign a specific writing task or as group ideas for your entire class of fifth graders plus any one of these prompts see more

30 great 5th grade opinion writing prompts youtube - Oct 27 2021

72 fantastic and free 5th grade journal prompts - Jun 03 2022

web may 10 2023 opinion writing prompts 5th grade to help encourage critical thinking and self expression in young students here are ten 5th grade writing prompt ideas to get

a natale tutti vogliono cantare song and lyrics by 4tu spotify - Jan 26 2023

web listen to a natale tutti vogliono cantare on spotify 4tu song 2018 4tu song 2018 listen to a natale tutti vogliono cantare on spotify 4tu song 2018 sign up log in home search your library create your first playlist it s easy we ll help you create

a natale voglio te poesia a natale voglio te poesia by - Apr 16 2022

web 1 4m views 32k likes 9 1k loves 6 3k comments 30k shares facebook watch videos from francesco sole a natale voglio te poesia

voglio solo te testo irama angolo testi - Jun 18 2022

web i irama plume 2018 voglio solo te informazioni su voglio solo te voglio solo te è una canzone di irama il brano è contenuto in plume il primo album di inediti dopo l esperienza di amici voglio solo te è stata cantata per la prima volta durante la semifinale di amici leggi tutto testo voglio solo te come mai non mi sembri più tu

anna tatangelo e il nuovo singolo natale italiano per la colonna - Feb 12 2022

web nov 11 2016 aggiornamento pochi minuti dopo la pubblicazione dell articolo è uscito il video ufficiale il prossimo 1 dicembre verrà distribuito nelle sale cinematografiche il film un natale al sud pellicola diretta da federico marsicano che vedrà tra i protagonisti anche massimo boldi e la cantante laziale anna tatangelo protagonista anche del singolo

a natale voglio solo te italian edition paperback amazon com - Apr 28 2023

web nov 22 2018 a natale voglio solo te italian edition pistolato irene on amazon com free shipping on qualifying offers a natale voglio solo te italian edition

a natale voglio solo te freestyle jonny dank prod jake - Oct 03 2023

web dec 16 2022 a natale voglio solo te il corso di dank video ufficiale per a natale voglio solo te freestyle di jonny dank ascolta su soundcloud on soundcloud

a natale voglio solo te by irene pistolato - Oct 23 2022

web may 15th 2020 e a natale la neve solo te solo te solo te solo te solo te solo te io ti voglio io ti esigo ma e un adesivo su un muro contro un frigo sulle scale di un motel è tutta la vita che aspettavo

voglio solo te youtube - Jul 20 2022

web may 31 2018 provided to youtube by wmi italy voglio solo te iramaplume 2018 warner records inc warner music italy a warner music group company bass andrea db debernar

a natale voglio solo te youtube - Jun 30 2023

web about press copyright contact us creators advertise developers terms privacy policy safety how youtube works test new features nfl sunday ticket press copyright

a natale voglio solo te pdf cpanel urbnleaf - May 18 2022

web title a natale voglio solo te pdf cpanel urbnleaf com subject a natale voglio solo te pdf created date 10 8 2023 6 11 41 pm

a natale voglio solo te youtube - Sep 21 2022

web share your videos with friends family and the world

a natale voglio solo te by irene pistolato goodreads - May 30 2023

web a natale voglio solo te book read 6 reviews from the world s largest community for readers deborah si chiede spesso se incontrerà mai quella persona ch

a natale voglio solo te ebook pistolato irene amazon it libri - Sep 02 2023

web a natale voglio solo te è uno splendido racconto natalizio le luci e la magia del natale fanno da sfondo ad una storia d amore divertente e delicata deborah mi ha conquistata immediatamente grazie alla sua schiettezza e solarità anche quando le cose non vanno al meglio non si perde mai d animo e cerca di affrontare tutto con il sorriso

francesco sole a natale voglio te poesia products youtube - Aug 01 2023

web dec 30 2020 conosci twitch moments you tube wfrsg 3ezwyi migliori video di youtube italia youtube com channel ucesu francesco sole wikipediafranc

a natale voglio solo te italian edition kindle edition - Mar 28 2023

web nov 27 2018 a natale voglio solo te italian edition kindle edition by pistolato irene download it once and read it on your kindle device pc phones or tablets use features like bookmarks note taking and highlighting while reading a

gianni celeste voglio a tte youtube - Mar 16 2022

web apr 28 2008 voglio a tte gianni celestecatania napoli

a natale voglio solo te pasquale chirico - Aug 21 2022

web a natale voglio solo te irene pistolato 2018 11 22 deborah si chiede spesso se incontrerà mai quella persona che le farà battere il cuore all'impazzata che le farà provare emozioni totalizzanti a tal punto da pensare di poter trascorrere il resto dei suoi giorni con lui a ventisette anni inizia a desiderare una vita di coppia vorrebbe

[a natale voglio solo te italian edition kindle edition amazon in](#) - Nov 23 2022

web a natale voglio solo te italian edition ebook pistolato irene amazon in kindle store

a natale tutti vogliono cantare song and lyrics by 4tu spotify - Dec 25 2022

web listen to a natale tutti vogliono cantare on spotify 4tu song 2019

baby k aspettavo solo te testo lyrics at azlyrics com - Feb 24 2023

web solo te solo te come a natale la neve ho detto a mia madre che andavo a dormire a casa di un'amica di un'altra mia amica mancavi tu a complicarmi le cose a incasinarmi la vita ma in fondo è stupendo farlo fino all'alba ridendo vedi fuori la neve sta cadendo baby io non ti voglio io ti pretendo

singapore incorporation ar management advisory pte ltd - Oct 03 2022

web we are offering singapore company incorporation corporate tax services singapore corporate compliance services accounting and many more engage us now ar management advisory pte ltd

[wir ubernehmen selbstverwaltete betriebe in argen pdf](#) - May 10 2023

web argen is additionally useful you have remained in right site to start getting this info acquire the wir ubernehmen selbstverwaltete betriebe in argen connect that we give here and check out the link you could buy lead wir ubernehmen selbstverwaltete betriebe in argen or get it as soon as feasible you could quickly download this wir

kospen activ - Jun 11 2023

web kospen activ a new initiative by moh in collaboration with bookdoc activ it aims to increase the level of physical activities amongst malaysian adults through competitions powered by bookdoc activ app kospen activ will be part of the programme under kospen and kospen plus as a value added initiative

[wir ubernehmen selbstverwaltete betriebe in argen pdf](#) - Oct 15 2023

web wir ubernehmen selbstverwaltete betriebe in argen 3 3 genossen und ihre nicht zu vernachlässigende gröÙe rechtfertigen es sich näher mit der frage welche besonderen sozialen und politischen bedingungen diesen gründungsboom ermöglichten zu befassen eine verwendete quelle ist ein historischer rückblick über die entwicklung des projekts

aaveg management services private limited zauba - May 30 2022

web may 22 2023 directors of aaveg management services private limited are manish kumar sharma and sameep mittal aaveg management services private limited s corporate identification number is cin u63000hr2015ptc056916 and its

registration number is 56916 its email address is bhsandco gmail com and its registered address is

wir übernehmen selbstverwaltete betriebe in argen book - Jan 06 2023

web wir übernehmen selbstverwaltete betriebe in argen decoding wir übernehmen selbstverwaltete betriebe in argen revealing the captivating potential of verbal expression in an era characterized by interconnectedness and an insatiable thirst for knowledge the captivating potential of verbal expression has emerged as a formidable

wir übernehmen selbstverwaltete betriebe in argen 2022 - Mar 28 2022

web wir übernehmen selbstverwaltete betriebe in argen the class strikes back wir helfen uns selbst neue soziale bewegungen in der bundesrepublik deutschland selbstverwaltete betriebe der 1970er und 1980er jahre ein gründungsboom und seine ursachen selbstverwaltung im betrieb leuchtspuren schritte auf dem weg zur

wir übernehmen selbstverwaltete betriebe in argen john - Apr 09 2023

web computer wir übernehmen selbstverwaltete betriebe in argen is affable in our digital library an online entrance to it is set as public hence you can download it instantly our digital library saves in combined countries allowing you to acquire the most less latency epoch to download any of our books once this one

wir übernehmen selbstverwaltete betriebe in argen - Feb 24 2022

web wir übernehmen selbstverwaltete betriebe in argen 3 3 dieses umfassende praxishandbuch bietet alles wissenswertes zum thema mitarbeiterbeteiligung von den historischen wurzeln über die gegenwärtigen entwicklungen bis zu zukunftsprospektiven im mittelpunkt stehen mitarbeiterkapitalbeteiligungsmodelle von 21 unternehmen

arlene sivarajah cpa senior commercial analyst linkedin - Aug 01 2022

web the warm up started today it s a process aim is to help the under privileged children my hubby anton mahadevaand our son brinthan

wir übernehmen selbstverwaltete betriebe in argen pdf - Aug 13 2023

web wir übernehmen selbstverwaltete betriebe in argen reichs arbeitsblatt jun 17 2021 zur entwicklung und funktion der gewerkschaftsbewegung in argen may 17 2021 theorie und praxis der kompetenzfeststellung im betrieb status quo und entwicklungsbedarf dec 04 2022 archiv für eisenbahnwesen jan 01 2020

wir übernehmen selbstverwaltete betriebe in argen book - Sep 14 2023

web wir übernehmen selbstverwaltete betriebe in argen zeitschrift für das gesamte genossenschaftswesen may 22 2022 staat und stadt jun 30 2020 die lokale politik ist von einem paradox gekennzeichnet einerseits finden auf dieser politikebene wesentliche wirtschaft gesellschaft und persönliche lebensumstände der

wir übernehmen selbstverwaltete betriebe in argen pdf - Jul 12 2023

web wir übernehmen selbstverwaltete betriebe in argen und es funktioniert doch zwei selbstverwaltete betriebe stellen sich

vor dec 30 2021 selbstverwaltete betriebe zwischen professionalisierung und alternativitaet nov 28 2021 coop apr 02 2022 mediation konfliktregelung durch bürgerbeteiligung sep 14 2020

wir ubernehmen selbstverwaltete betriebe in argen pdf copy - Feb 07 2023

web jun 22 2023 discover the statement wir ubernehmen selbstverwaltete betriebe in argen pdf that you are looking for it will no question squander the time however below once you visit this web page it will be appropriately certainly simple to acquire as skillfully as download lead wir ubernehmen selbstverwaltete betriebe in argen pdf it will

wir ubernehmen selbstverwaltete betriebe in argen - Nov 04 2022

web we allow you this proper as capably as simple way to get those all we allow wir ubernehmen selbstverwaltete betriebe in argen and numerous books collections from fictions to scientific research in any way in the middle of them is this wir ubernehmen selbstverwaltete betriebe in argen that can be your partner feminism for the 99

wir ubernehmen selbstverwaltete betriebe in argen pdf - Dec 05 2022

web wir ubernehmen selbstverwaltete betriebe in argen pdf right here we have countless book wir ubernehmen selbstverwaltete betriebe in argen pdf and collections to check out we additionally give variant types and in addition to type of the books to browse

aaveg management services private limited linkedin - Jun 30 2022

web aaveg management services private limited 3 997 followers on linkedin people mobility solutions aaveg an iso certified organization that manages transport operations as a managed service be it leasing business rentals employee transportation or pool cars aaveg is a first of its kind employee transport management company that provides end

wir ubernehmen selbstverwaltete betriebe in argen pdf book - Sep 02 2022

web jun 17 2023 numerous time for their favorite books in the manner of this wir ubernehmen selbstverwaltete betriebe in argen pdf but end stirring in harmful downloads rather than enjoying a fine book when a mug of coffee in the afternoon instead they juggled bearing in mind some harmful virus inside their computer wir ubernehmen selbstverwaltete

wir ubernehmen selbstverwaltete betriebe in argen uniport edu - Mar 08 2023

web oct 10 2023 selbstverwaltete betriebe in argen is reachable in our digital library an online entry to it is set as public for that reason you can download it instantly our digital library saves in merged

arvind magan associates inc bookkeeping tax consultant - Apr 28 2022

web number of employees 6 20 type of business private company pty services required bookkeeping tax services payroll financial statements we have two companies that operate from the same premises 17 staff in total the core business of raco africa is distribution of power hand tools gardening nibella star is distributors of