

VEHICLE SECURITY (THEFT WARNING) SYSTEM

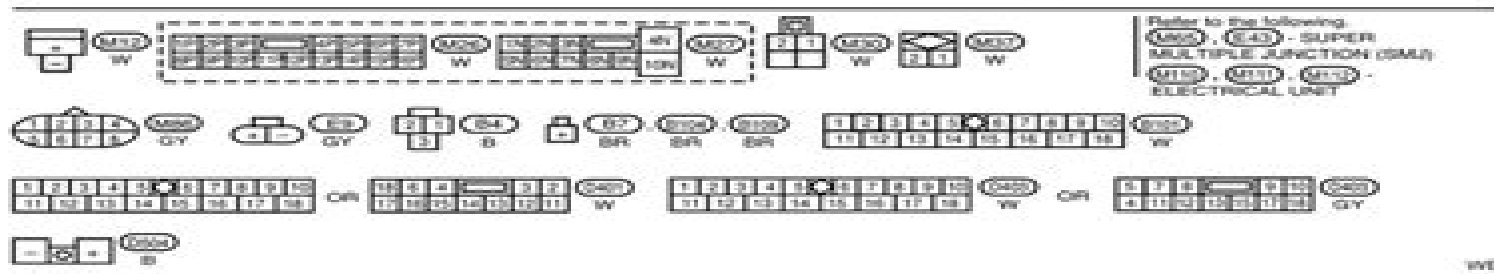
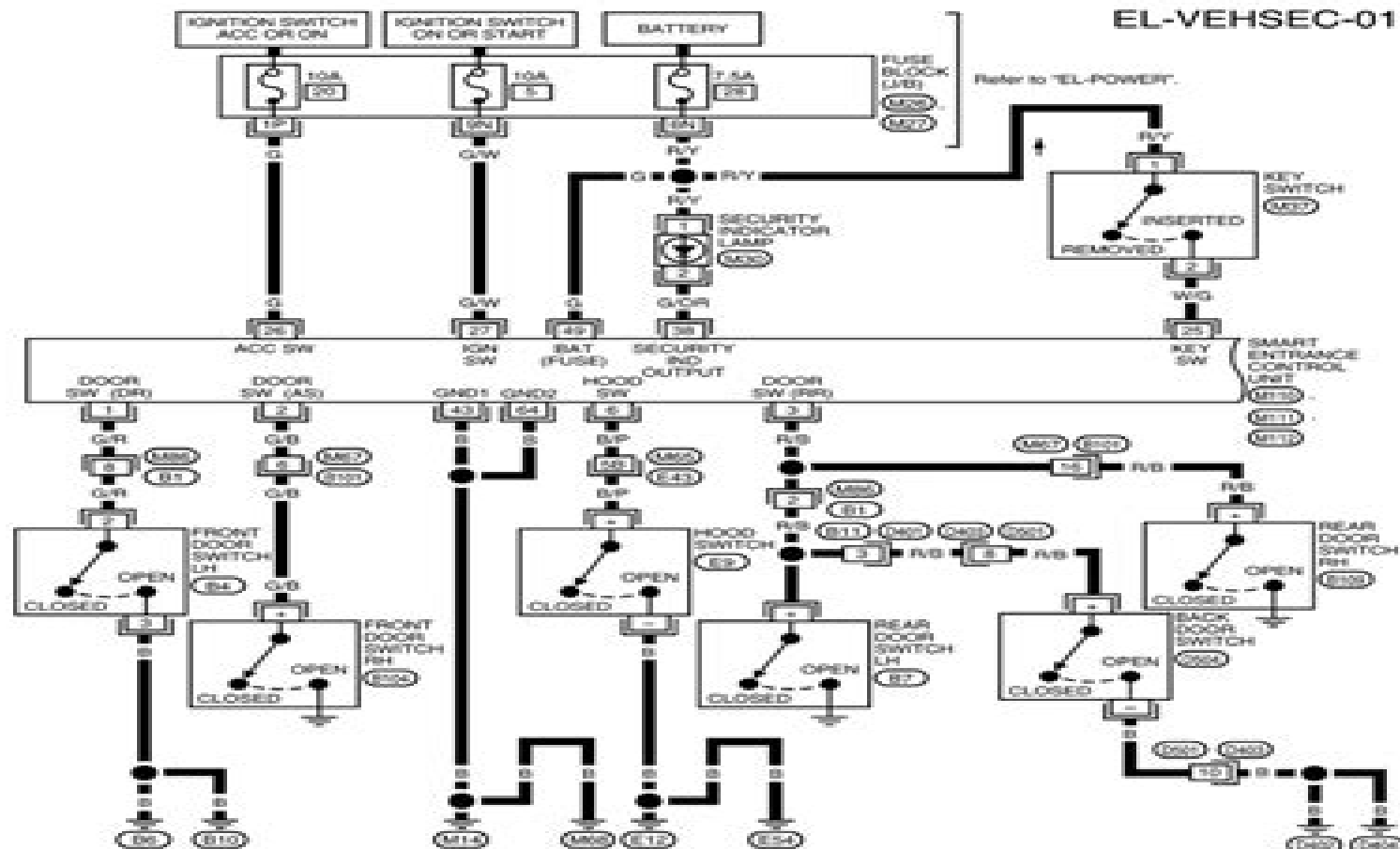
Wiring Diagram — VEHSEC —

Wiring Diagram — VEHSEC —

FIG. 1

WEL7007
WEL700001

EL-VEHSEC-01



WEL705A

Hyundai I10 Electric Diagram

M A. Codd



Hyundai I10 Electric Diagram:

Boyce's Wiring Diagram Manual: Selected models from the following manufactures, Daewoo, Ford, Holden, Hyundai, Subaru ,2001 **Boyce's Wiring Diagram Manual: Selected models from the following manufactures, Chrysler, Daewoo, Ford, Holden, Honda, Hyundai, Jeep, Mitsubishi, Subaru, Suzuki, Toyota ,2001** **Wiring Diagram North East Electric Company's Model A Lighting & Starting System Supplement 17-A.** North East Electric Company,1914 **Wiring Diagram Model B Lighting & Starting System Supplement 17-B.** North East Electric Company,1920 Electrical Symbols and Circuit Diagrams for Vehicles Bosch Automation,2000-01-01 Model A Electricial Wiring Diagram for Cars WITHOUT Cowl Lamps Doug A. McIntosh,1990-01-01 Motor Imported Wiring Diagram Manual ,1991 Automotive Electricity Simplified George Alonzo Willoughby,1925 Motor Wiring Diagram Manual John R. Lypen,1998 Rellim Wiring Diagrams ,2012 Chilton's Wiring Diagrams Manual Chilton Book Company,197? Chilton's Wiring Diagrams Manual ,1970 Motor Imported Wiring Diagram Manual ,2000 **Motor Imported Wiring Diagram Manual** John Lypen,Motor (New York, N.Y.),1997 **Chilton's Wiring Diagrams Manual** Chilton Book Company,1985 **Motor Imported Wiring Diagram Manual, 1988** Michael J. Kromida,Motor (New York, N.Y.),1989 Electric wiring diagrams for motor vehicles, embracing all the leading sustems of lighting, starting and ignition forBbritish, American and European motor vehicles M A. Codd,1932 Motor Imported Wiring Diagram Manual, 1987 Robert R. Savasta,Motor (New York, N.Y.),1988 Rellim Wiring Diagrams Les Garam,Greg Williams,Michael Cogley,2010 **MR2 1991 Electrical Wiring Diagram Manual** ,1990

Unveiling the Power of Verbal Beauty: An Emotional Sojourn through **Hyundai I10 Electric Diagram**

In some sort of inundated with monitors and the cacophony of fast interaction, the profound power and mental resonance of verbal art often fade in to obscurity, eclipsed by the continuous barrage of sound and distractions. However, situated within the musical pages of **Hyundai I10 Electric Diagram**, a interesting function of fictional beauty that impulses with raw thoughts, lies an wonderful journey waiting to be embarked upon. Published with a virtuoso wordsmith, this interesting opus instructions readers on a mental odyssey, softly exposing the latent potential and profound influence embedded within the delicate web of language. Within the heart-wrenching expanse of this evocative analysis, we can embark upon an introspective exploration of the book is key subjects, dissect its interesting writing style, and immerse ourselves in the indelible impression it leaves upon the depths of readers souls.

https://staging.conocer.cide.edu/files/scholarship/fetch.php/Mercedes_Benz_Owners_Manual_1986_560sl.pdf

Table of Contents Hyundai I10 Electric Diagram

1. Understanding the eBook Hyundai I10 Electric Diagram
 - The Rise of Digital Reading Hyundai I10 Electric Diagram
 - Advantages of eBooks Over Traditional Books
2. Identifying Hyundai I10 Electric Diagram
 - Exploring Different Genres
 - Considering Fiction vs. Non-Fiction
 - Determining Your Reading Goals
3. Choosing the Right eBook Platform
 - Popular eBook Platforms
 - Features to Look for in an Hyundai I10 Electric Diagram
 - User-Friendly Interface
4. Exploring eBook Recommendations from Hyundai I10 Electric Diagram
 - Personalized Recommendations

- Hyundai I10 Electric Diagram User Reviews and Ratings
- Hyundai I10 Electric Diagram and Bestseller Lists
- 5. Accessing Hyundai I10 Electric Diagram Free and Paid eBooks
 - Hyundai I10 Electric Diagram Public Domain eBooks
 - Hyundai I10 Electric Diagram eBook Subscription Services
 - Hyundai I10 Electric Diagram Budget-Friendly Options
- 6. Navigating Hyundai I10 Electric Diagram eBook Formats
 - ePub, PDF, MOBI, and More
 - Hyundai I10 Electric Diagram Compatibility with Devices
 - Hyundai I10 Electric Diagram Enhanced eBook Features
- 7. Enhancing Your Reading Experience
 - Adjustable Fonts and Text Sizes of Hyundai I10 Electric Diagram
 - Highlighting and Note-Taking Hyundai I10 Electric Diagram
 - Interactive Elements Hyundai I10 Electric Diagram
- 8. Staying Engaged with Hyundai I10 Electric Diagram
 - Joining Online Reading Communities
 - Participating in Virtual Book Clubs
 - Following Authors and Publishers Hyundai I10 Electric Diagram
- 9. Balancing eBooks and Physical Books Hyundai I10 Electric Diagram
 - Benefits of a Digital Library
 - Creating a Diverse Reading Collection Hyundai I10 Electric Diagram
- 10. Overcoming Reading Challenges
 - Dealing with Digital Eye Strain
 - Minimizing Distractions
 - Managing Screen Time
- 11. Cultivating a Reading Routine Hyundai I10 Electric Diagram
 - Setting Reading Goals Hyundai I10 Electric Diagram
 - Carving Out Dedicated Reading Time
- 12. Sourcing Reliable Information of Hyundai I10 Electric Diagram
 - Fact-Checking eBook Content of Hyundai I10 Electric Diagram

- Distinguishing Credible Sources
- 13. Promoting Lifelong Learning
 - Utilizing eBooks for Skill Development
 - Exploring Educational eBooks
- 14. Embracing eBook Trends
 - Integration of Multimedia Elements
 - Interactive and Gamified eBooks

Hyundai I10 Electric Diagram Introduction

Free PDF Books and Manuals for Download: Unlocking Knowledge at Your Fingertips In today's fast-paced digital age, obtaining valuable knowledge has become easier than ever. Thanks to the internet, a vast array of books and manuals are now available for free download in PDF format. Whether you are a student, professional, or simply an avid reader, this treasure trove of downloadable resources offers a wealth of information, conveniently accessible anytime, anywhere. The advent of online libraries and platforms dedicated to sharing knowledge has revolutionized the way we consume information. No longer confined to physical libraries or bookstores, readers can now access an extensive collection of digital books and manuals with just a few clicks. These resources, available in PDF, Microsoft Word, and PowerPoint formats, cater to a wide range of interests, including literature, technology, science, history, and much more. One notable platform where you can explore and download free Hyundai I10 Electric Diagram PDF books and manuals is the internet's largest free library. Hosted online, this catalog compiles a vast assortment of documents, making it a veritable goldmine of knowledge. With its easy-to-use website interface and customizable PDF generator, this platform offers a user-friendly experience, allowing individuals to effortlessly navigate and access the information they seek. The availability of free PDF books and manuals on this platform demonstrates its commitment to democratizing education and empowering individuals with the tools needed to succeed in their chosen fields. It allows anyone, regardless of their background or financial limitations, to expand their horizons and gain insights from experts in various disciplines. One of the most significant advantages of downloading PDF books and manuals lies in their portability. Unlike physical copies, digital books can be stored and carried on a single device, such as a tablet or smartphone, saving valuable space and weight. This convenience makes it possible for readers to have their entire library at their fingertips, whether they are commuting, traveling, or simply enjoying a lazy afternoon at home. Additionally, digital files are easily searchable, enabling readers to locate specific information within seconds. With a few keystrokes, users can search for keywords, topics, or phrases, making research and finding relevant information a breeze. This efficiency saves time and effort, streamlining the learning process and allowing individuals to focus on extracting the information they

need. Furthermore, the availability of free PDF books and manuals fosters a culture of continuous learning. By removing financial barriers, more people can access educational resources and pursue lifelong learning, contributing to personal growth and professional development. This democratization of knowledge promotes intellectual curiosity and empowers individuals to become lifelong learners, promoting progress and innovation in various fields. It is worth noting that while accessing free Hyundai I10 Electric Diagram PDF books and manuals is convenient and cost-effective, it is vital to respect copyright laws and intellectual property rights. Platforms offering free downloads often operate within legal boundaries, ensuring that the materials they provide are either in the public domain or authorized for distribution. By adhering to copyright laws, users can enjoy the benefits of free access to knowledge while supporting the authors and publishers who make these resources available. In conclusion, the availability of Hyundai I10 Electric Diagram free PDF books and manuals for download has revolutionized the way we access and consume knowledge. With just a few clicks, individuals can explore a vast collection of resources across different disciplines, all free of charge. This accessibility empowers individuals to become lifelong learners, contributing to personal growth, professional development, and the advancement of society as a whole. So why not unlock a world of knowledge today? Start exploring the vast sea of free PDF books and manuals waiting to be discovered right at your fingertips.

FAQs About Hyundai I10 Electric Diagram Books

What is a Hyundai I10 Electric Diagram PDF? A PDF (Portable Document Format) is a file format developed by Adobe that preserves the layout and formatting of a document, regardless of the software, hardware, or operating system used to view or print it. **How do I create a Hyundai I10 Electric Diagram PDF?** There are several ways to create a PDF: Use software like Adobe Acrobat, Microsoft Word, or Google Docs, which often have built-in PDF creation tools. **Print to PDF:** Many applications and operating systems have a "Print to PDF" option that allows you to save a document as a PDF file instead of printing it on paper. **Online converters:** There are various online tools that can convert different file types to PDF. **How do I edit a Hyundai I10 Electric Diagram PDF?** Editing a PDF can be done with software like Adobe Acrobat, which allows direct editing of text, images, and other elements within the PDF. Some free tools, like PDFescape or Smallpdf, also offer basic editing capabilities. **How do I convert a Hyundai I10 Electric Diagram PDF to another file format?** There are multiple ways to convert a PDF to another format: Use online converters like Smallpdf, Zamzar, or Adobe Acrobat's export feature to convert PDFs to formats like Word, Excel, JPEG, etc. Software like Adobe Acrobat, Microsoft Word, or other PDF editors may have options to export or save PDFs in different formats. **How do I password-protect a Hyundai I10 Electric Diagram PDF?** Most PDF editing software allows you to add password protection. In Adobe Acrobat, for instance, you can

go to "File" -> "Properties" -> "Security" to set a password to restrict access or editing capabilities. Are there any free alternatives to Adobe Acrobat for working with PDFs? Yes, there are many free alternatives for working with PDFs, such as: LibreOffice: Offers PDF editing features. PDFsam: Allows splitting, merging, and editing PDFs. Foxit Reader: Provides basic PDF viewing and editing capabilities. How do I compress a PDF file? You can use online tools like Smallpdf, ILovePDF, or desktop software like Adobe Acrobat to compress PDF files without significant quality loss. Compression reduces the file size, making it easier to share and download. Can I fill out forms in a PDF file? Yes, most PDF viewers/editors like Adobe Acrobat, Preview (on Mac), or various online tools allow you to fill out forms in PDF files by selecting text fields and entering information. Are there any restrictions when working with PDFs? Some PDFs might have restrictions set by their creator, such as password protection, editing restrictions, or print restrictions. Breaking these restrictions might require specific software or tools, which may or may not be legal depending on the circumstances and local laws.

Find Hyundai I10 Electric Diagram :

mercedes benz owners manual 1986 560sl

~~mercedes clk 200 kompressor user manual~~

~~mercedes w210 e320 manual~~

mercedez benz e 5 repair manual

mercedes clk430 cabriolet repair manual

mercedes benz repair manual w136

mercedes c250 turbo diesel workshop manual

mercedes c 220 repair manual

mercedes benz ml320 ml350 ml500 2002 repair service manual

mercedes benz repair manual clk200

mercedes benz g wagen 463 digital workshop repair manual

mercedes benz r107 owners manual

mercedes c class manual transmission service manual

mercedes benz w210 service zuruckstellen

mercedes slk 230 owners manual

Hyundai I10 Electric Diagram :

pdf la matadragones - Jun 12 2023

web decir las obras se sabe cuándo empiezan pero nunca cuándo acaban por si fuera poco san jorge se presenta en el palacio de imprevido dispuesto a contar sus grandes hazañas contra los más temidos dragones le sucederán varios matadragones con iguales pretensiones que invaden la tranquilidad del paciente rey arturo

la matadragones by jaime hernandez overdrive - Jan 07 2023

web la matadragones ebook cuentos de latinoamérica by jaime hernandez find this title in libby the library reading app by overdrive search for a digital library with this title title found at these libraries sorry no libraries found please try searching again if you still can t find a library there are a couple possible reasons

la matadragones by undefined publishers weekly - May 31 2022

web la matadragones jaime hernandez toon 16 95 48p isbn 978 1 943145 30 0 for his retellings of three traditional latin american tales hernandez the love and rockets series creates panel

la matadragones cuentos de latinoamérica by jaime hernandez - Feb 08 2023

web la matadragones cuentos de latinoamérica by jaime hernandez 11 99 16 99 a fresh take on timeless tales how would a kitchen maid fare against a seven headed dragon what happens when a woman marries a mouse and what can a young man learn from a thousand leaf cutter ants

matadragones wikipedia la enciclopedia libre - May 11 2023

web un matadragones es una figura heroica casi exclusivamente de sexo masculino que logra derrotar a un dragón mitológico se encuentran matadragones en los cuentos de hadas en los mitos leyendas e historias ancestrales de muchas culturas así como en géneros más modernos como los libros de caballerías o la fantasía e

the mega list of spanish comics for kids mommy maestra - Apr 10 2023

web nov 8 2021 la matadragones or the dragon killer takes classic tales from isabel campoy and alma flor ada and gives them a modern day spin zipi y zape by josé escobar ages 7 this is a spanish comic that was first released in 1948 it tells the story of two mischievous twins and the turmoil they create wherever they go

the best macarons in singapore - Aug 02 2022

web sep 11 2020 it s more than worth paying a visit to any of twg tea s salons boutiques in singapore to pair their new fall haute couture tea collection with an equally delightful macaron selection 24 for a box of 48 available at twg tea oh the joie de vivre of chasing down dreams and embracing the unknown as encapsulated by singapore s

matadragones wikiwand - Feb 25 2022

web un matadragones representa un gran valor y la superación del mal en la mayoría de las historias el cazador de dragones

logra liberar mediante su hazaña a las gentes cercanas de los ataques y la devastación y sequía prolongada causada

la matadragones cuentos de latinoamérica penguin random - Oct 16 2023

web la matadragones cuentos de latinoamérica by jaime hernandez 9781943145300 penguinrandomhouse com books cómo se enfrentaría una sirvienta a un dragón de siete cabezas qué pasa cuando una mujer se casa con un ratón cómo se enfrentaría una sirvienta a un dragón de siete cabezas qué pasa cuando una mujer

la matadragones a toon graphic toon latin american - Mar 09 2023

web apr 3 2018 guiado por las obras clásicas de f isabel campoy y alma flor ada el primer libro para jóvenes lectores de hernandez acerca las historias y estampas de latinoamérica a una nueva generación de aficionados a la novela gráfica de todo el mundo

7 places for delicious macarons in singapore tropika club - Nov 05 2022

web may 26 2023 try their antoinette earl grey tea with chocolate chloe and rose macarons which will keep you wanting more despite the sugar rush antoinette is one of our 7 places to get great tasting macarons antoinette penhas road 30 penhas road singapore 208188 antoniette millenia walk 9 raffles blvd 01 28 039596

everytime ishowspeed became a messi fan youtube - Apr 29 2022

web oct 8 2022 im live every day youtube com channel ucwsd check out my second channel youtube com channel uc2bw ay9blbylgjxabjs4q about foll

la matadragones cuentos de by hernandez jaime - Aug 14 2023

web apr 3 2018 la matadragones cuentos de latinoamérica a toon graphic toon latin american folktales spanish edition hardcover picture book april 3 2018 spanish edition by jaime hernandez author f isabel campoy introduction 4 4 9 ratings see all formats and editions

la matadragones cuentos de latinoamérica a toon graphic - Sep 03 2022

web what happens when a woman marries a mouse and what can a young man learn from a thousand leaf cutter ants famed love and rockets creator jaime hernandez asks these questions and more as he transforms beloved myths into bold stunning and utterly contemporary comics

la matadragones cuentos de latinoamérica a toon graphic by - Oct 04 2022

web guiado por las obras clásicas de f isabel campoy y alma flor ada el primer libro para jóvenes lectores de hernandez acerca las historias y estampas de latinoamérica a una nueva generación de aficionados a la novela gráfica de todo el mundo

la matadragones cuentos de latinoamérica a toon graphic - Jul 13 2023

web apr 3 2018 guiado por las obras clásicas de f isabel campoy y alma flor ada el primer libro para jóvenes lectores de

hernandez acerca las historias y estampas de latinoamérica a una nueva generación de aficionados a la novela gráfica de todo el mundo

la matadragones cuentos de latinoamérica a toon graphic - Mar 29 2022

web la matadragones cuentos de latinoamérica a toon graphic hernandez jaime campoy f isabel amazon sg books

13 best mexican restaurants in singapore for authentic burritos - Dec 06 2022

web dec 3 2020 la salsa is a great weekend spot for groups or a date night with live soloists and bands performing from 7pm every friday and saturday night also if you are looking for some yummy mexican food to feast on before hitting up the furniture shops of dempsey la salsa is now open for lunch

matadragones wiki berserk fandom - Sep 15 2023

web la espada matadragones es el arma principal de guts la obtuvo tras encontrarla en el almacén del herrero godo durante la batalla contra el apóstol perro cuando inició su lucha contra los apóstoles tras el eclipse sumario 1 historia 2 características 3 curiosidades 4 galería historia

la matadragones cuentos de latinoamérica a toon graphic - Jul 01 2022

web abebooks com la matadragones cuentos de latinoamérica a toon graphic spanish edition 9781943145300 by hernandez jaime and a great selection of similar new used and collectible books available now at great prices

a forbidden temptation mather anne author archive org - Feb 09 2023

web language english 287 pages large print 22 cm still raw from the death of his wife jack connolly s mood is dark and dangerous he s not looking for a woman until he meets buttoned up but beautiful grace spencer who stirs his senses back to life

forbidden flame by anne mather open library - Nov 06 2022

web he d be her friend but never her lover caroline s job as governess at a mexican hacienda was more demanding than she d dreamed possible her employer esteban was an evil and vulgar man and he wanted her she turned for help to luis de montejo esteban s half brother and a seminarian

anne mather page 2 read free from internet - Dec 27 2021

web the brazilian millionaire s love child anne mather romance contemporary fiction read online no gentle possession contemporary mills boon are excited to present the anne mather collection the complete works by this classic author made available to download for the very first time

the forbidden mistress mather anne 9780263837773 books - Apr 30 2022

web select the department you want to search in

a forbidden temptation by anne mather books on google play - Aug 03 2022

web a forbidden temptation ebook written by anne mather read this book using google play books app on your pc android ios devices download for offline reading highlight bookmark or take notes while you read a forbidden temptation

forbidden by anne mather fictiondb - Jul 14 2023

web forbidden by anne mather fictiondb cover art synopsis sequels reviews awards publishing history genres and time period

pdf epub a forbidden temptation download oceanofpdf - Feb 26 2022

web sep 20 2019 brief summary of book a forbidden temptation by anne mather here is a quick description and cover image of book a forbidden temptationanne mather which was published in 2016 2 16 you can read this before a forbidden

temptation pdf epub full download at the bottom an unwanted desire

[forbidden temptation by anne mather open library](#) - Sep 04 2022

web dec 7 2022 forbidden temptation by anne mather susan stephens 2016 harlequin mills boon limited edition in english

pdf epub forbidden flame by anne mather download - Jan 28 2022

web sep 20 2019 full book name forbidden flame author name anne mather book genre category romance harlequin

harlequin presents romance isbn 9781488743054 date of publication 1981 1 1 pdf epub file name forbidden flame anne

mather pdf forbidden flame anne mather epub pdf file size 828 kb

forbidden love by anne mather fictiondb - Mar 10 2023

web forbidden love anne mather forbidden love anne mather i haven t come back into your life james caroline said she was shocked to discover that the position she had accepted as governess was the in the home of the man she had spent six

[a forbidden temptation by anne mather open library](#) - Jul 02 2022

web aug 19 2021 a forbidden temptation by anne mather 2 20 5 ratings 17 want to read 3 currently reading 11 have read

forbidden by anne mather open library - Apr 11 2023

web forbidden by anne mather 1976 harlequin mills boon limited edition in english

loading interface goodreads - May 12 2023

web discover and share books you love on goodreads

the forbidden mistress by anne mather open library - Dec 07 2022

web feb 28 2023 6 ratings 33 want to read 1 currently reading 25 have read tempting oliver ferreira desired grace more

than any woman he d ever known however he couldn t take what wasn t his teasing grace worked for oliver s brother tom in fact rumor had it that she was tom s mistress common sense and experience told oliver to stay away

[a forbidden temptation by anne mather ebook scribd](#) - Mar 30 2022

web read a forbidden temptation by anne mather with a free trial read millions of ebooks and audiobooks on the web ipad iphone and android an unwanted desire with the death of his wife still raw jack connolly s mood is dark and dangerous

a forbidden temptation by anne mather ebook scribd - Jun 01 2022

web read a forbidden temptation by anne mather with a free trial read millions of ebooks and audiobooks on the web ipad iphone and android an unwanted desire an impossible affair

[a forbidden temptation by anne mather goodreads](#) - Oct 05 2022

web read 44 reviews from the world s largest community for readers an unwanted desire with the death of his wife still raw jack connolly s mood is dark an

forbidden by anne mather open library - Jun 13 2023

web feb 28 2023 forbidden by anne mather 3 08 12 ratings 18 want to read 3 currently reading 28 have read i haven t come back into your life james caroline said she was shocked to discover that the position she had accepted as governess was the in the home of the man she had spent six years trying to forget

forbidden mather anne free download borrow and - Aug 15 2023

web forbidden mather anne free download borrow and streaming internet archive forbidden by mather anne publication date 1978 publisher toronto new york harlequin books collection inlibrary printdisabled internetarchivebooks americana contributor internet archive language english notes 0 toc pages access restricted

forbidden flame by anne mather goodreads - Jan 08 2023

web anne mather 3 29 62 ratings 6 reviews he d be her friend but never her lover caroline s job as governess at a mexican hacienda was more demanding than she d dreamed possible her employer esteban was an evil and vulgar man and he wanted her she turned for help to luis de montejo esteban s half brother and a seminarian

9788426723550 el gran libro de access 2016 mediaactive - May 25 2022

web el gran libro de access 2016 encuentre todos los libros de mediaactive con terralibro com usted puede comprar libros antiguos nuevos y usados inmediatamente y pedirlos al mejor precio 9788426723550 gran libro de access 2016 editado por marcombo ediciones tecnicas paperback pu marcombo en este

el gran libro de access 2016 paperback september 21 2016 - Jul 07 2023

web sep 21 2016 el gran libro de access 2016 mediaactive on amazon com free shipping on qualifying offers el gran libro de access 2016

access 2016 manuales imprescindibles amazon es - Jun 25 2022

web access 2016 es la última de las versiones del programa para gestión de bases de datos y generación de aplicaciones de microsoft con este manual aprenderás a utilizarla durante veinte lecciones muy didácticas y de complejidad ascendente este libro explica con detalle las principales funciones de access 2016

[el gran libro de access 2016 librería agapea](#) - Oct 30 2022

web sep 1 2016 propósito comprar el libro el gran libro de access 2016 de mediaactive marcombo 9788426723550 con envío gratis desde 18 en nuestra librería online agapea com ver opiniones resumen sinopsis del libro

el gran libro de access 2016 mediaactive amazon es libros - Oct 10 2023

web el gran libro de access 2016 mediaactive amazon es libros libros informática internet y medios digitales bases de datos y big data envío rápido y gratis te ofrecemos una prueba gratis de 30 días de prime nuevo 20 62 precio recomendado 21 70 ahorra 1 08 5 los precios incluyen iva

el gran libro de access 2016 mediaactive comprar libro - Mar 03 2023

web home informática el gran libro de access 2016 editorial marcombo s a año de edición 2020 materia informática isbn 978 84 267 2355 0 páginas 314 encuadernación libro de bolsillo idioma castellano el gran libro de access 2016 libro en papel de mediaactive sinopsis

el gran libro de access 2016 vv aa casa del libro - Aug 08 2023

web el libro el gran libro de access 2016 de vv aa en casa del libro descubre las mejores ofertas y envíos gratis

descargar el gran libro de access 2016 pdf epub dllibro - Apr 23 2022

web título el gran libro de access 2016 clasificación 3 9 de 5 estrellas 6 valoraciones isbn 10 8426723551 isbn 13 9788426723550 idiomae español formato ebook pdf epub kindle audio html y mobi dispositivos compatibles android ios pc y amazon kindle opiniones de las lectoras sobre el gran libro de access 2016 de mediaactive

el gran libro de access 2016 por mediaactive 9788426723550 - May 05 2023

web por mediaactive isbn 9788426723550 tema sistemas operativos de microsoft windows editorial marcombo en este manual dedicado a access 2016 el reconocido programa de creación y gestión de bases de datos de la suite de programas office 2016 se estudia en profundidad el uso de prácticamente todas las posibilidades

el corte inglés - Feb 19 2022

web el gran libro de access 2016

el gran libro de access 2016 marcombo s a ediciones técnicas - Sep 09 2023

web en este manual dedicado a access 2016 el reconocido programa de creación y gestión de bases de datos de la suite de programas office 2016 se estudia en profundidad el uso de prácticamente todas las posibilidades que ofrece esta aplicación para añadir y combinar distintos tipos de datos para crear formularios informes consultas

gratis el gran libro de access 2016 de mediaactive pdf - Mar 23 2022

web aug 5 2021 libro access 2016 ediciones eni es editor de libros en este libro sobre microsoft access 2016 se explica el conjunto de funciones del sistema gestor de bases de datos tras presentarle la interfaz se le enseñará a crear una base de datos y a trabajar con los objetos que la componen

el gran libro de access 2016 varios autores 5 en libros fnac - Sep 28 2022

web el gran libro de access 2016 libro de varios autores editorial marcombo libros con 5 de descuento y envío gratis desde 19

el gran libro de access 2016 todos tus libros - Nov 30 2022

web el gran libro de access 2016 mediaactive 0 opiniones en este manual dedicado a access 2016 el reconocido programa de creación y gestión de bases de datos de la suite de programas office 2016 se estudia en profundidad el uso de prác leer descripción completa 21 70 añadir a la cesta reservar gratis ver disponibilidad disponibilidad media

el gran libro de access 2016 librotea - Jun 06 2023

web en este manual dedicado a access 2016 el reconocido programa de creación y gestión de bases de datos de la suite de programas office 2016 se estudia en profundidad el uso de prácticamente todas las posibilidades que of

el gran libro de access 2016 de vv aa unilibro es - Apr 04 2023

web el gran libro de access 2016 libros unilibroen este manual dedicado a access 2016 el reconocido programa de creación y gestión de bases de datos de la suite de programas office 2016 se estudia en profundidad el uso de prácticamente todas las posibilidades que ofrece esta aplicación para añadir y combinar distintos tipos de datos

el gran libro de access 2016 a book by mediaactive - Feb 02 2023

web el libro que tiene en sus manos es fruto de la colaboración entre la experiencia en la edición de libros técnicos de editorial marcombo y la de creación de materiales pedagógicos de mediaactive la colección el gran libro de ofrece cursos prácticos de los más importantes programas del sector informático y se inició con el volumen

el gran libro de access 2016 librería el Águila - Aug 28 2022

web el gran libro de access 2016 mediaactive 20 87 en este manual dedicado a access 2016 el reconocido programa de creación y gestión de bases de datos de la s

el gran libro de access 2016 vv aa casa del libro - Jul 27 2022

web libro el gran libro de access 2016 del autor vv aa al mejor precio nuevo o segunda mano en casa del libro colombia estado de tu pedido ayuda 0 mi cuenta 0 envío local imprescindibles novedades novedades libros novedades ebooks próximos

el gran libro de access 2016 babellibros com - Jan 01 2023

web el gran libro de access 2016 mediaactive 21 70 en este manual dedicado a access 2016 el reconocido programa de creación y gestión de bases de datos de la