

6.8 Wall Mount Model Parts

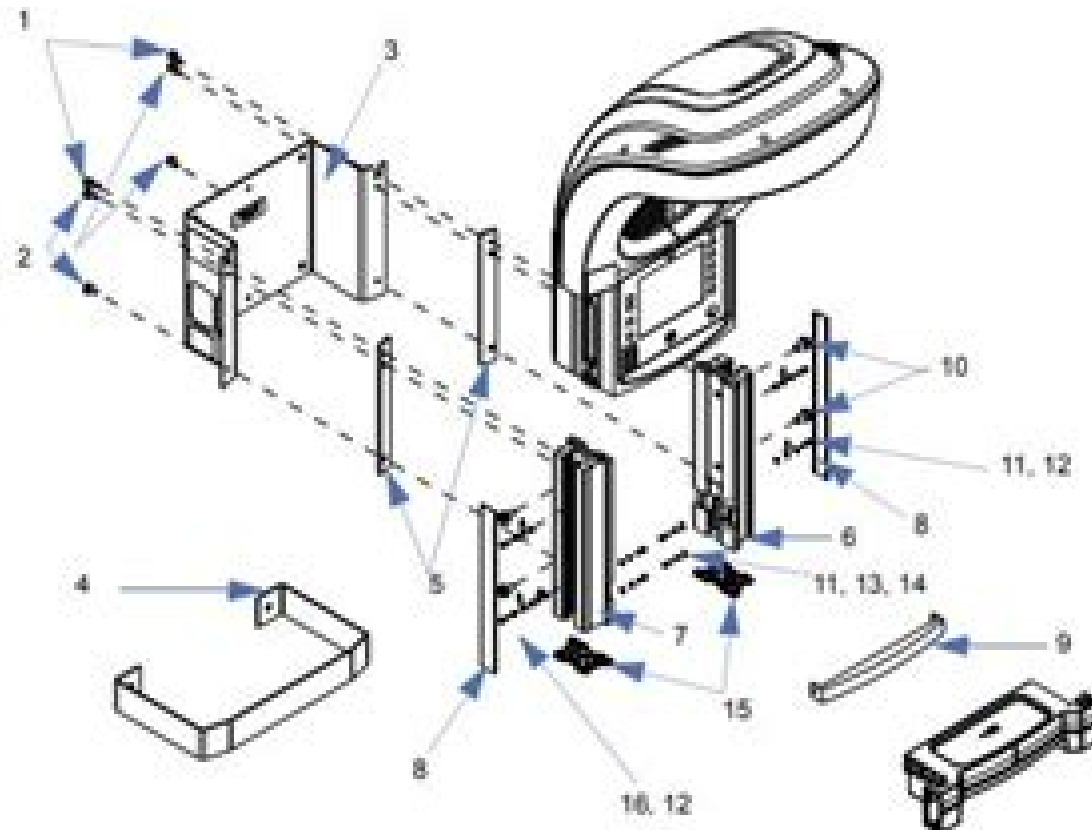


FIGURE 6-16. Wall Mount Model (Exploded View)

Ge Panda Warmer Service Manual

BM King



Ge Panda Warmer Service Manual:

Embracing the Track of Phrase: An Mental Symphony within **Ge Panda Warmer Service Manual**

In some sort of used by monitors and the ceaseless chatter of instantaneous interaction, the melodic elegance and psychological symphony produced by the prepared term usually fade in to the background, eclipsed by the relentless noise and disruptions that permeate our lives. Nevertheless, situated within the pages of **Ge Panda Warmer Service Manual** a charming fictional prize brimming with organic feelings, lies an immersive symphony waiting to be embraced. Crafted by an elegant musician of language, this captivating masterpiece conducts visitors on a mental trip, well unraveling the concealed songs and profound affect resonating within each cautiously constructed phrase. Within the depths of the touching analysis, we can examine the book is central harmonies, analyze their enthralling writing fashion, and surrender ourselves to the profound resonance that echoes in the depths of readers souls.

https://staging.conocer.cide.edu/About/browse/index.jsp/Evaluation_Systems_Of_Equations_Pi_Algebra_2_Key.pdf

Table of Contents Ge Panda Warmer Service Manual

1. Understanding the eBook Ge Panda Warmer Service Manual
 - The Rise of Digital Reading Ge Panda Warmer Service Manual
 - Advantages of eBooks Over Traditional Books
2. Identifying Ge Panda Warmer Service Manual
 - Exploring Different Genres
 - Considering Fiction vs. Non-Fiction
 - Determining Your Reading Goals
3. Choosing the Right eBook Platform
 - Popular eBook Platforms
 - Features to Look for in an Ge Panda Warmer Service Manual
 - User-Friendly Interface
4. Exploring eBook Recommendations from Ge Panda Warmer Service Manual
 - Personalized Recommendations

- Ge Panda Warmer Service Manual User Reviews and Ratings
- Ge Panda Warmer Service Manual and Bestseller Lists
- 5. Accessing Ge Panda Warmer Service Manual Free and Paid eBooks
 - Ge Panda Warmer Service Manual Public Domain eBooks
 - Ge Panda Warmer Service Manual eBook Subscription Services
 - Ge Panda Warmer Service Manual Budget-Friendly Options
- 6. Navigating Ge Panda Warmer Service Manual eBook Formats
 - ePub, PDF, MOBI, and More
 - Ge Panda Warmer Service Manual Compatibility with Devices
 - Ge Panda Warmer Service Manual Enhanced eBook Features
- 7. Enhancing Your Reading Experience
 - Adjustable Fonts and Text Sizes of Ge Panda Warmer Service Manual
 - Highlighting and Note-Taking Ge Panda Warmer Service Manual
 - Interactive Elements Ge Panda Warmer Service Manual
- 8. Staying Engaged with Ge Panda Warmer Service Manual
 - Joining Online Reading Communities
 - Participating in Virtual Book Clubs
 - Following Authors and Publishers Ge Panda Warmer Service Manual
- 9. Balancing eBooks and Physical Books Ge Panda Warmer Service Manual
 - Benefits of a Digital Library
 - Creating a Diverse Reading Collection Ge Panda Warmer Service Manual
- 10. Overcoming Reading Challenges
 - Dealing with Digital Eye Strain
 - Minimizing Distractions
 - Managing Screen Time
- 11. Cultivating a Reading Routine Ge Panda Warmer Service Manual
 - Setting Reading Goals Ge Panda Warmer Service Manual
 - Carving Out Dedicated Reading Time
- 12. Sourcing Reliable Information of Ge Panda Warmer Service Manual
 - Fact-Checking eBook Content of Ge Panda Warmer Service Manual

- Distinguishing Credible Sources
13. Promoting Lifelong Learning
 - Utilizing eBooks for Skill Development
 - Exploring Educational eBooks
 14. Embracing eBook Trends
 - Integration of Multimedia Elements
 - Interactive and Gamified eBooks

Ge Panda Warmer Service Manual Introduction

In this digital age, the convenience of accessing information at our fingertips has become a necessity. Whether its research papers, eBooks, or user manuals, PDF files have become the preferred format for sharing and reading documents. However, the cost associated with purchasing PDF files can sometimes be a barrier for many individuals and organizations. Thankfully, there are numerous websites and platforms that allow users to download free PDF files legally. In this article, we will explore some of the best platforms to download free PDFs. One of the most popular platforms to download free PDF files is Project Gutenberg. This online library offers over 60,000 free eBooks that are in the public domain. From classic literature to historical documents, Project Gutenberg provides a wide range of PDF files that can be downloaded and enjoyed on various devices. The website is user-friendly and allows users to search for specific titles or browse through different categories. Another reliable platform for downloading Ge Panda Warmer Service Manual free PDF files is Open Library. With its vast collection of over 1 million eBooks, Open Library has something for every reader. The website offers a seamless experience by providing options to borrow or download PDF files. Users simply need to create a free account to access this treasure trove of knowledge. Open Library also allows users to contribute by uploading and sharing their own PDF files, making it a collaborative platform for book enthusiasts. For those interested in academic resources, there are websites dedicated to providing free PDFs of research papers and scientific articles. One such website is Academia.edu, which allows researchers and scholars to share their work with a global audience. Users can download PDF files of research papers, theses, and dissertations covering a wide range of subjects. Academia.edu also provides a platform for discussions and networking within the academic community. When it comes to downloading Ge Panda Warmer Service Manual free PDF files of magazines, brochures, and catalogs, Issuu is a popular choice. This digital publishing platform hosts a vast collection of publications from around the world. Users can search for specific titles or explore various categories and genres. Issuu offers a seamless reading experience with its user-friendly interface and allows users to download PDF files for offline reading. Apart from dedicated platforms, search engines also play a crucial role in finding free PDF files. Google, for instance, has an advanced

search feature that allows users to filter results by file type. By specifying the file type as "PDF," users can find websites that offer free PDF downloads on a specific topic. While downloading Ge Panda Warmer Service Manual free PDF files is convenient, its important to note that copyright laws must be respected. Always ensure that the PDF files you download are legally available for free. Many authors and publishers voluntarily provide free PDF versions of their work, but its essential to be cautious and verify the authenticity of the source before downloading Ge Panda Warmer Service Manual. In conclusion, the internet offers numerous platforms and websites that allow users to download free PDF files legally. Whether its classic literature, research papers, or magazines, there is something for everyone. The platforms mentioned in this article, such as Project Gutenberg, Open Library, Academia.edu, and Issuu, provide access to a vast collection of PDF files. However, users should always be cautious and verify the legality of the source before downloading Ge Panda Warmer Service Manual any PDF files. With these platforms, the world of PDF downloads is just a click away.

FAQs About Ge Panda Warmer Service Manual Books

How do I know which eBook platform is the best for me? Finding the best eBook platform depends on your reading preferences and device compatibility. Research different platforms, read user reviews, and explore their features before making a choice. Are free eBooks of good quality? Yes, many reputable platforms offer high-quality free eBooks, including classics and public domain works. However, make sure to verify the source to ensure the eBook credibility. Can I read eBooks without an eReader? Absolutely! Most eBook platforms offer web-based readers or mobile apps that allow you to read eBooks on your computer, tablet, or smartphone. How do I avoid digital eye strain while reading eBooks? To prevent digital eye strain, take regular breaks, adjust the font size and background color, and ensure proper lighting while reading eBooks. What the advantage of interactive eBooks? Interactive eBooks incorporate multimedia elements, quizzes, and activities, enhancing the reader engagement and providing a more immersive learning experience. Ge Panda Warmer Service Manual is one of the best book in our library for free trial. We provide copy of Ge Panda Warmer Service Manual in digital format, so the resources that you find are reliable. There are also many Ebooks of related with Ge Panda Warmer Service Manual. Where to download Ge Panda Warmer Service Manual online for free? Are you looking for Ge Panda Warmer Service Manual PDF? This is definitely going to save you time and cash in something you should think about.

Find Ge Panda Warmer Service Manual :

evaluation systems of equations pi algebra 2 key

eureka man the life and legacy of archimedes alan hirshfeld

every hand revealed english edition

eureka 96b user guide

everest manual ski doo

every day counts calendar math guide kindergarten

euro pro sewing machine manual 9101

evergreen practice papers english solutions class 9

everfi financial literacy module 2

euro pro ep278 np user guide

every praise hezekiah guitar chords

~~evergreen social science guide class 9 chapter~~

evidence for evolution pogil answer key

~~every woman gynaecologist guide~~

everglades algebra pg 7answer

Ge Panda Warmer Service Manual :

names of the american civil war wikipedia - Dec 07 2022

web during and immediately after the war northern historians often used the terms war of the rebellion and great rebellion and the confederate term was war for southern independence which regained some currency in the 20th century but has again fallen out of

daniel library civil war research the war of the rebellion a - Jan 08 2023

web dec 26 2021 the war of the rebellion a compilation of the official records of the union and confederate armies daniel library stacks call number e464 u6 this multi volume set is organized into four series series 1 military operations contains battle reports from the union and confederate armies

browse cornell university library making of america collection - Jun 01 2022

web browse the war of the rebellion a compilation of the official records of the union and confederate armies

did black rebellion win the civil war jstor daily - Aug 03 2022

web feb 1 2019 political scientist errol a henderson writes about a different interpretation which gives full credit to enslaved workers whose rebellion was key to winning the war for the north henderson notes that the first widely discussed description of a general strike by enslaved workers came from black sociologist w e b du bois in the 1930s

civil war wikipedia - Feb 26 2022

web a civil war is a war between organized groups within the same state or country the aim of one side may be to take control of the country or a region to achieve independence for a region or to change government policies the term is a calque of latin bellum civile which was used to refer to the various civil wars of the roman republic in the 1st century bc

the war of the rebellion atlas am - Mar 30 2022

web the american civil war goes by many names the war between the states the war of northern aggression the war to save the union the states rights war and the war of 1861 to 1865 have all been used to describe the conflict that rent the nation asunder

the war of the rebellion official records of the civil war - Oct 17 2023

web officially titled the war of the rebellion a compilation of the official records of the union and confederate armies the official records are compiled in 127 volumes plus a general index and accompanying atlas

10 facts what everyone should know about the civil war - Nov 06 2022

web nov 12 2013 fact 1 the civil war was fought between the northern and the southern states from 1861 1865 the american civil war was fought between the united states of america and the confederate states of america a collection of eleven southern states that left the union in 1860 and 1861 the conflict began primarily as a result of the long

american civil war history summary dates causes map - Oct 05 2022

web nov 15 2023 american civil war four year war 1861 65 fought between the united states and 11 southern states that seceded to form the confederate states of america it arose out of disputes over slavery and states rights

civil war causes dates battles history - Apr 11 2023

web oct 15 2009 the civil war in the united states began in 1861 after decades of simmering tensions between northern and southern states over slavery states rights and westward expansion

browse cornell university library making of america collection - Jul 14 2023

web the war of the rebellion a compilation of the official records of the union and confederate armies as of march 2018 the war of the rebellion part of the cornell university library s making of america collection has been moved to hathi trust babel hathitrust org cgi mb a listis c 1930843488

war of the rebellion index ehistory - Mar 10 2023

web home the war of the rebellion official records of the civil war

civil war and rebellion taylor francis online - Feb 09 2023

web the determinants of participation in civil war american political science review 52 2 2008 pp 436 455 scott gates recruitment and allegiance the microfoundations of rebellion journal of conflict resolution 46 1 2002 pp 111 130 joycelin

viterna pulled pushed and persuaded explaining women s mobilization into
war of the rebellion atlas wikipedia - Sep 04 2022

web war of the rebellion atlas the atlas to accompany the official records of the union and confederate armies also referred to
as the war of the rebellion atlas was published as a companion piece to the official records of the american civil war
the history of the rebellion wikipedia - Apr 30 2022

web the history of the rebellion by edward hyde 1st earl of clarendon and former advisor to charles i and charles ii is his
account of the wars of the three kingdoms originally published between 1702 and 1704 as the history of the rebellion and
civil wars in england it was the first detailed account from a key player in the events it
english civil wars causes summary facts battles britannica - Jun 13 2023

web oct 23 2023 the english civil wars are traditionally considered to have begun in england in august 1642 when charles i
raised an army against the wishes of parliament ostensibly to deal with a rebellion in ireland

war of the rebellion official records of the union and - May 12 2023

web jul 18 2023 war of the rebellion a compilation of the official records of the union and confederate armies via making of
america primary sources correspondence orders reports and returns generated during the course of the civil war e book
versions of the o r are available through the hathi trust digital library google books and internet
the war of the rebellion and the naming of the american civil war - Aug 15 2023

web aug 20 2013 rebellion was simply what union soldiers and sometimes even confederate ones called the war i generally
call it the civil war because well that s the generally accepted name it

american civil war wikipedia - Sep 16 2023

web category portal v t e the american civil war april 12 1861 may 26 1865 also known by other names was a civil war in the
united states between the union e the north and the confederacy the south which had been formed by states that had
seceded from the union

the name of war the new york times - Jul 02 2022

web aug 17 2013 in 1887 century began publishing the essays in wildly popular volumes entitled battles and leaders of the
civil war no rebellion in sight there or in the equally popular souvenir album

[free vla ramtech uri](#) - Nov 25 2021

web feb 12 2021 dileyen vatandaşlar valiliklerde bulunan açık kapı masasına birebir olarak başvuruda bulunabilir ayrıca
dileyen vatandaşlar proje için hazırlanan uygulama

açık kapı başvurusu nedir kimlere verilir ve kimler başvurabilir - Oct 25 2021

web pârâuÎ untunecat este un curs de apă affluent al râului turia bibliografie administrația națională apelor române cadastrul

apelor bucurești institutul de meteorologie și

un appa c tit d oiseau full pdf sitemaps cioal - Jul 02 2022

web you may not be perplexed to enjoy all books collections un appa c tit d oiseau that we will certainly offer it is not in the region of the costs its about what you obsession

appÂt définition de appÂt centre national de ressources - Apr 30 2022

web apr 23 2023 web nov 16 2022 un appa c tit d oiseau 1 5 downloaded from staging friends library org on november 16 2022 by guest un appa c tit d oiseau thank you certainly

un appa c tit d oiseau pdf uniport edu - Jan 08 2023

web may 29 2023 you wish to download and install the un appa c tit d oiseau it is categorically easy then back currently we extend the connect to buy and create bargains

un appa c tit d oiseau pdf uniport edu - Dec 07 2022

web un appa c tit d oiseau 1 4 downloaded from uniport edu ng on september 3 2023 by guest un appa c tit d oiseau recognizing the artifice ways to acquire this book un

un appa c tit d oiseau pdf valegasdes - Aug 03 2022

web aug 4 2023 pages of un appa c tit d oiseau a charming literary value full of natural emotions lies an immersive symphony waiting to be embraced constructed by an

avoir un appétit d oiseau translation in english reverso - Aug 15 2023

web avoir un appétit d oiseau translation in french english reverso dictionary see also avoir fiscal aviron avoine examples definition conjugation translation context spell check synonyms conjugation

un appétit d oiseau by serge bloch benjamin kuntzer - Jun 13 2023

web jun 25 2023 un appétit d oiseau by serge bloch benjamin kuntzer un appétit d oiseau by serge bloch benjamin kuntzer so once you necessity the books speedily you can

un appa c tit d oiseau uniport edu - Nov 06 2022

web may 31 2023 un appa c tit d oiseau 2 3 downloaded from uniport edu ng on may 31 2023 by guest dictionnaire de l académie françoise académie française 1798 grand

un appa c tit d oiseau pdf uniport edu - Oct 05 2022

web translation for avoir un appétit d oiseau in the free french english dictionary and many other english translations

un appa c tit d oiseau pdf ftp thechilworth co - Dec 27 2021

web upload suny s boyle 1 2 downloaded from vla ramtech uri edu on august 31 2023 by suny s boyle embracing the song of expression an psychological symphony within

avoir un appÉtit d oiseau translation in english bab la - Sep 04 2022

web web un appa c tit d oiseau pdf full pdf web mar 4 2023 if you strive for to download and install the un appa c tit d oiseau pdf it is completely easy then in the past currently we

un appa c tit d oiseau pdf vla ramtech - Mar 30 2022

web research in any way in the middle of them is this un appa c tit d oiseau that can be your partner un appa c tit d oiseau downloaded from support old xes inc com

un appa c tit d oiseau full pdf test prconvention - Jun 01 2022

web un appât des appâts pâtre mise à des pièges pour attirer le gibier ou à des hameçons pour attirer les poissons appât naturel appât artificiel 2 il laissait flotter sur l eau verte

idiom avoir un appÉtit d oiseau french 5 translations - Jul 14 2023

web aug 21 2018 meanings of avoir un appÉtit d oiseau french avoir un tout petit appÉtit l expression est trompeuse car un oiseau peut avoir un fort appÉtit relativement à sa

un appa c tit d oiseau pdf raceandwealth coas howard - Jan 28 2022

web rather than enjoying a good pdf later than a mug of coffee in the afternoon then again they juggled behind some harmful virus inside their computer un appa c tit d oiseau

un appeau d oiseau youtube - Apr 11 2023

web mar 12 2015 activité scientifiquep tite vite en sciences classedesciences com

appât définition illustrée avec explications aquaportail - Mar 10 2023

web feb 21 2023 un appa c tit d oiseau is available in our digital library an online access to it is set as public so you can get it instantly our book servers hosts in multiple countries

un appÉtit d oiseau by serge bloch benjamin kuntzer - May 12 2023

web un appÉtit d oiseau et autres expressions autour de la nourriture en anglais et en françaisquand vient l heure du repas il faut parfois goûter de nouvelles choses mais

pârâul Întunecat turia wikipedia - Sep 23 2021

un appa c tit d oiseau pdf support old xes inc - Feb 26 2022

web un appa c tit d oiseau is available in our book collection an online access to it is set as public so you can get it instantly our books collection saves in multiple countries

un appa c tit d oiseau abel boyer pdf - Feb 09 2023

web jul 6 2023 un appa c tit d oiseau 1 3 downloaded from uniport edu ng on july 6 2023 by guest un appa c tit d oiseau as

recognized adventure as well as experience

cyrano de bergerac wikipedia - Oct 09 2023

web a bold and innovative author his work was part of the libertine literature of the first half of the 17th century today he is best known as the inspiration for edmond rostand s most noted drama cyrano de bergerac 1897 which although it includes elements of his life also contains invention and myth

cyrano de bergerac full text sparknotes - Feb 01 2023

web study guide full text cyrano de bergerac is a play by edmond rostand that was first performed in 1897 read the full text of cyrano de bergerac in its entirety completely free contents act i scene 1 i scene 1 ii scene 1 iii scene 1 iv scene 1 v scene 1 vi scene 1 vii act ii scene 2 i scene 2 ii scene 2 iii scene 2 iv scene 2 v

cyrano de bergerac full book summary sparknotes - Jul 06 2023

web in paris in the year 1640 a brilliant poet and swordsman named cyrano de bergerac finds himself deeply in love with his beautiful intellectual cousin roxane despite cyrano s brilliance and charisma a shockingly large nose afflicts his appearance and he considers himself too ugly even to risk telling roxane his feelings

cyrano de bergerac oyun vikipedi - Apr 03 2023

web cyrano de bergerac 17 yüzyılda yaşamış parisli şair oyun yazarı ve silahşor savinien cyrano de bergerac in gerçek hayat öyküsünden esinlenilerek fransız şair ve oyun yazarı edmond rostand tarafından yazılmış ünlü bir sahne eseridir perde sırasıyla 7 11 14 10 ve 6 olmak üzere toplamda 48 sahneden oluşur

cyrano de bergerac vikipedi - Sep 08 2023

web hercule savinien de cyrano de bergerac d 6 mart 1619 ö 28 temmuz 1655 paris doğumlu fransız oyun yazarı ve düellocu 1 cesur ve yenilikçi bir yazar olan cyrano de bergerac çalışmalarıyla 17 yüzyılın ilk yarısında libertin edebiyatının bir parçası olmuştur

cyrano de bergerac rostand wikipédia - May 04 2023

web cyrano de bergerac est l une des les plus populaires du théâtre et la plus célèbre de son auteur edmond rostand librement inspirée de la vie et de l œuvre de l écrivain libertin savinien de cyrano de bergerac 1619 1655 elle est représentée pour la fois le 28 décembre 1897 au théâtre de la porte saint martin à paris

savinien cyrano de bergerac french playwright poet - Mar 02 2023

web savinien cyrano de bergerac born march 6 1619 paris died july 28 1655 paris french satirist and dramatist whose works combining political satire and science fantasy inspired a number of later writers

cyrano de bergerac study guide sparknotes - Dec 31 2022

web cyrano de bergerac is a play by edmond rostand that was first performed in 1897 explore a plot summary an in depth

analysis of cyrano and important quotes

[cyrano de bergerac play wikipedia](#) - Aug 07 2023

web cyrano de bergerac , s ɪ r ə n ʊ d ə ' b ɜ : r ʒ ə r æ k ' b ɛər sɪr ə nɔh də bur zhə rak bair french sɪʁano d ə bɛʁʒəvɑk is a play written in 1897 by edmond rostand the play is a fictionalisation following the broad outlines of cyrano de bergerac s life

cyrano de bergerac romantic comedy tragic hero french play - Jun 05 2023

web oct 13 2023 cyrano de bergerac verse drama in five acts by edmond rostand performed in 1897 and published the following year it was based only nominally on the 17th century nobleman of the same name known for his bold adventures and large nose set in 17th century paris the action revolves around the