



# Dishwashers

**Safety Instructions** ..... 2-3

**Operating Instructions**

Care and Cleaning ..... 11  
Getting Started ..... 4-5  
Loading and Place Settings ..... 8-9  
Loading the silverware baskets ..... 10  
Using the Dishwasher ..... 6-7

**Troubleshooting Tips** ..... 12-14

**Consumer Support**

Consumer Support ..... 16  
Warranty ..... 15

**Owner's Manual**

Dishwashers  
ADT520 Series  
GDF510-540 Series  
GDT530-550 Series

## Lave-vaisselle

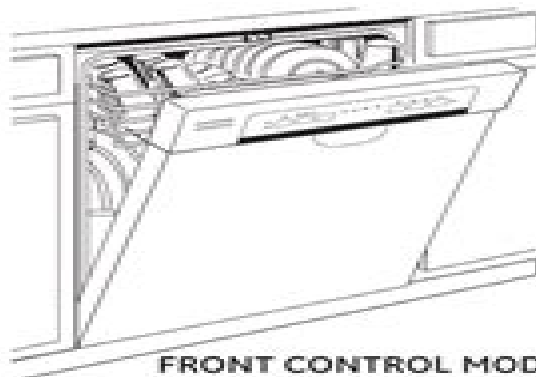
**Manuel d'utilisation**

La section française commence à la page 17

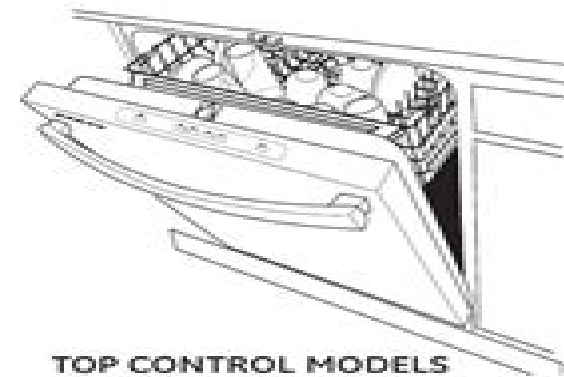
## Lavaplatos

**Manual del propietario**

La sección en español empieza en la página 33



FRONT CONTROL MODELS



TOP CONTROL MODELS

Write the model and serial numbers here:

Model # \_\_\_\_\_

Serial # \_\_\_\_\_

You can find them on the tub wall just inside the door.

# Ge Dishwasher User Guide

**Christian Drosten**



## **Ge Dishwasher User Guide:**

When somebody should go to the ebook stores, search establishment by shop, shelf by shelf, it is truly problematic. This is why we offer the books compilations in this website. It will unquestionably ease you to see guide **Ge Dishwasher User Guide** as you such as.

By searching the title, publisher, or authors of guide you in reality want, you can discover them rapidly. In the house, workplace, or perhaps in your method can be every best place within net connections. If you aspiration to download and install the Ge Dishwasher User Guide, it is extremely simple then, in the past currently we extend the associate to purchase and create bargains to download and install Ge Dishwasher User Guide as a result simple!

<https://staging.conocer.cide.edu/public/detail/index.jsp/french%20holiday%20homes.pdf>

## **Table of Contents Ge Dishwasher User Guide**

1. Understanding the eBook Ge Dishwasher User Guide
  - The Rise of Digital Reading Ge Dishwasher User Guide
  - Advantages of eBooks Over Traditional Books
2. Identifying Ge Dishwasher User Guide
  - Exploring Different Genres
  - Considering Fiction vs. Non-Fiction
  - Determining Your Reading Goals
3. Choosing the Right eBook Platform
  - Popular eBook Platforms
  - Features to Look for in an Ge Dishwasher User Guide
  - User-Friendly Interface
4. Exploring eBook Recommendations from Ge Dishwasher User Guide
  - Personalized Recommendations
  - Ge Dishwasher User Guide User Reviews and Ratings
  - Ge Dishwasher User Guide and Bestseller Lists

5. Accessing Ge Dishwasher User Guide Free and Paid eBooks
  - Ge Dishwasher User Guide Public Domain eBooks
  - Ge Dishwasher User Guide eBook Subscription Services
  - Ge Dishwasher User Guide Budget-Friendly Options
6. Navigating Ge Dishwasher User Guide eBook Formats
  - ePub, PDF, MOBI, and More
  - Ge Dishwasher User Guide Compatibility with Devices
  - Ge Dishwasher User Guide Enhanced eBook Features
7. Enhancing Your Reading Experience
  - Adjustable Fonts and Text Sizes of Ge Dishwasher User Guide
  - Highlighting and Note-Taking Ge Dishwasher User Guide
  - Interactive Elements Ge Dishwasher User Guide
8. Staying Engaged with Ge Dishwasher User Guide
  - Joining Online Reading Communities
  - Participating in Virtual Book Clubs
  - Following Authors and Publishers Ge Dishwasher User Guide
9. Balancing eBooks and Physical Books Ge Dishwasher User Guide
  - Benefits of a Digital Library
  - Creating a Diverse Reading Collection Ge Dishwasher User Guide
10. Overcoming Reading Challenges
  - Dealing with Digital Eye Strain
  - Minimizing Distractions
  - Managing Screen Time
11. Cultivating a Reading Routine Ge Dishwasher User Guide
  - Setting Reading Goals Ge Dishwasher User Guide
  - Carving Out Dedicated Reading Time
12. Sourcing Reliable Information of Ge Dishwasher User Guide
  - Fact-Checking eBook Content of Ge Dishwasher User Guide
  - Distinguishing Credible Sources
13. Promoting Lifelong Learning

- Utilizing eBooks for Skill Development
  - Exploring Educational eBooks
14. Embracing eBook Trends
- Integration of Multimedia Elements
  - Interactive and Gamified eBooks

### **Ge Dishwasher User Guide Introduction**

Free PDF Books and Manuals for Download: Unlocking Knowledge at Your Fingertips In today's fast-paced digital age, obtaining valuable knowledge has become easier than ever. Thanks to the internet, a vast array of books and manuals are now available for free download in PDF format. Whether you are a student, professional, or simply an avid reader, this treasure trove of downloadable resources offers a wealth of information, conveniently accessible anytime, anywhere. The advent of online libraries and platforms dedicated to sharing knowledge has revolutionized the way we consume information. No longer confined to physical libraries or bookstores, readers can now access an extensive collection of digital books and manuals with just a few clicks. These resources, available in PDF, Microsoft Word, and PowerPoint formats, cater to a wide range of interests, including literature, technology, science, history, and much more. One notable platform where you can explore and download free Ge Dishwasher User Guide PDF books and manuals is the internet's largest free library. Hosted online, this catalog compiles a vast assortment of documents, making it a veritable goldmine of knowledge. With its easy-to-use website interface and customizable PDF generator, this platform offers a user-friendly experience, allowing individuals to effortlessly navigate and access the information they seek. The availability of free PDF books and manuals on this platform demonstrates its commitment to democratizing education and empowering individuals with the tools needed to succeed in their chosen fields. It allows anyone, regardless of their background or financial limitations, to expand their horizons and gain insights from experts in various disciplines. One of the most significant advantages of downloading PDF books and manuals lies in their portability. Unlike physical copies, digital books can be stored and carried on a single device, such as a tablet or smartphone, saving valuable space and weight. This convenience makes it possible for readers to have their entire library at their fingertips, whether they are commuting, traveling, or simply enjoying a lazy afternoon at home. Additionally, digital files are easily searchable, enabling readers to locate specific information within seconds. With a few keystrokes, users can search for keywords, topics, or phrases, making research and finding relevant information a breeze. This efficiency saves time and effort, streamlining the learning process and allowing individuals to focus on extracting the information they need. Furthermore, the availability of free PDF books and manuals fosters a culture of continuous learning. By removing financial barriers, more people can access educational resources and pursue lifelong learning, contributing to personal

growth and professional development. This democratization of knowledge promotes intellectual curiosity and empowers individuals to become lifelong learners, promoting progress and innovation in various fields. It is worth noting that while accessing free Ge Dishwasher User Guide PDF books and manuals is convenient and cost-effective, it is vital to respect copyright laws and intellectual property rights. Platforms offering free downloads often operate within legal boundaries, ensuring that the materials they provide are either in the public domain or authorized for distribution. By adhering to copyright laws, users can enjoy the benefits of free access to knowledge while supporting the authors and publishers who make these resources available. In conclusion, the availability of Ge Dishwasher User Guide free PDF books and manuals for download has revolutionized the way we access and consume knowledge. With just a few clicks, individuals can explore a vast collection of resources across different disciplines, all free of charge. This accessibility empowers individuals to become lifelong learners, contributing to personal growth, professional development, and the advancement of society as a whole. So why not unlock a world of knowledge today? Start exploring the vast sea of free PDF books and manuals waiting to be discovered right at your fingertips.

### **FAQs About Ge Dishwasher User Guide Books**

How do I know which eBook platform is the best for me? Finding the best eBook platform depends on your reading preferences and device compatibility. Research different platforms, read user reviews, and explore their features before making a choice. Are free eBooks of good quality? Yes, many reputable platforms offer high-quality free eBooks, including classics and public domain works. However, make sure to verify the source to ensure the eBook credibility. Can I read eBooks without an eReader? Absolutely! Most eBook platforms offer webbased readers or mobile apps that allow you to read eBooks on your computer, tablet, or smartphone. How do I avoid digital eye strain while reading eBooks? To prevent digital eye strain, take regular breaks, adjust the font size and background color, and ensure proper lighting while reading eBooks. What the advantage of interactive eBooks? Interactive eBooks incorporate multimedia elements, quizzes, and activities, enhancing the reader engagement and providing a more immersive learning experience. Ge Dishwasher User Guide is one of the best book in our library for free trial. We provide copy of Ge Dishwasher User Guide in digital format, so the resources that you find are reliable. There are also many Ebooks of related with Ge Dishwasher User Guide. Where to download Ge Dishwasher User Guide online for free? Are you looking for Ge Dishwasher User Guide PDF? This is definitely going to save you time and cash in something you should think about. If you trying to find then search around for online. Without a doubt there are numerous these available and many of them have the freedom. However without doubt you receive whatever you purchase. An alternate way to get ideas is always to check another Ge Dishwasher User Guide. This method for see exactly

what may be included and adopt these ideas to your book. This site will almost certainly help you save time and effort, money and stress. If you are looking for free books then you really should consider finding to assist you try this. Several of Ge Dishwasher User Guide are for sale to free while some are payable. If you arent sure if the books you would like to download works with for usage along with your computer, it is possible to download free trials. The free guides make it easy for someone to free access online library for download books to your device. You can get free download on free trial for lots of books categories. Our library is the biggest of these that have literally hundreds of thousands of different products categories represented. You will also see that there are specific sites catered to different product types or categories, brands or niches related with Ge Dishwasher User Guide. So depending on what exactly you are searching, you will be able to choose e books to suit your own need. Need to access completely for Campbell Biology Seventh Edition book? Access Ebook without any digging. And by having access to our ebook online or by storing it on your computer, you have convenient answers with Ge Dishwasher User Guide To get started finding Ge Dishwasher User Guide, you are right to find our website which has a comprehensive collection of books online. Our library is the biggest of these that have literally hundreds of thousands of different products represented. You will also see that there are specific sites catered to different categories or niches related with Ge Dishwasher User Guide So depending on what exactly you are searching, you will be able to choose ebook to suit your own need. Thank you for reading Ge Dishwasher User Guide. Maybe you have knowledge that, people have search numerous times for their favorite readings like this Ge Dishwasher User Guide, but end up in harmful downloads. Rather than reading a good book with a cup of coffee in the afternoon, instead they juggled with some harmful bugs inside their laptop. Ge Dishwasher User Guide is available in our book collection an online access to it is set as public so you can download it instantly. Our digital library spans in multiple locations, allowing you to get the most less latency time to download any of our books like this one. Merely said, Ge Dishwasher User Guide is universally compatible with any devices to read.

### **Find Ge Dishwasher User Guide :**

*french holiday homes*

**freedoms victory**

**friedman on galbraith and on curing the british disease**

french army 193945

freedom racism & reconstruction

*freedom of religion a precious human right*

~~french advance and other lines~~



french fiction today a new direction

frere jacques

**freedom from backaches**

freud dora and vienna 1900

*french revolution a history 3vol*

freedom from fear the slave his emanci

*freedom and the court. 4th edition civil rights and liberties in the united states*

french intellectuals and historythe nouvelle revue francaise under jean paulhan 19251940 faux titre 93

### Ge Dishwasher User Guide :

Intermediate Algebra: Dugopolski, Mark Mark Dugopolski. Intermediate Algebra. 7th Edition. ISBN-13: 978-0073384573, ISBN-10: 0073384577. 4.3 4.3 out of 5 stars 48 Reviews. Intermediate Algebra. Intermediate Algebra by Dugopolski, Mark. [2011, 7th ... Buy Intermediate Algebra by Dugopolski, Mark. [2011, 7th Edition.] Hardcover on Amazon.com  FREE SHIPPING on qualified orders. Intermediate Algebra | Buy | 9780073384573 Intermediate Algebra 7th edition ; ISBN-13: 9780073384573 ; Authors: Mark Dugopolski ; Full Title: Intermediate Algebra ; Edition: 7th edition ; ISBN-13: 978- ... Intermediate Algebra Mark Dugopolski Buy Intermediate Algebra By Mark Dugopolski Isbn 0073384577 9780073384573 7th edition. ... Algebra by Mark Dugopolski \$206.00 \$13.95. College Algebra ... Intermediate Algebra 7th edition (9780073384573) Buy Intermediate Algebra 7th edition (9780073384573) by Mark Dugopolski for up to 90% off at Textbooks.com. Browse Books: Mathematics / Algebra / Intermediate Student Workbook for Intermediate Algebra with Applications, Multimedia Edition, 7th By Maria H. ... Intermediate Algebra By Mark Dugopolski Cover Image. BookFinder.com: Search Results (Matching Titles) by Mark Dugopolski (2007) Hardcover [New/Used]; Intermediate Algebra ... SAMPLE COPY - Annotated Instructor's Edition - Intermediate Algebra, seventh edition ... Books by Mark Dugopolski Elementary and Intermediate Algebra (3rd Edition) by Mark Dugopolski, Business Week Magazine Hardcover, 1,096 Pages, Published 2008 by McGraw-Hill Science ... Intermediate Algebra Seventh Edition By Mark Dugopolski Sep 19, 2019 — Intermediate Algebra Seventh Edition By Mark Dugopolski. 2019-09-19. Elementary and Intermediate Algebra : Concepts and Applications. Edition: ... Teachers Edition Intermediate Algebra by Mark Dugopolski ... Teachers Edition Intermediate Algebra by Mark Dugopolski (2011 Hardcover) 7th. Best Selling in Study Guides & Test Prep. Chapters 1-13 Final Mastery Test ©AGS Publishing. Permission is granted to reproduce for classroom use only. Algebra. Chapters 1-13 Final Mastery Test, continued. Directions For problems 28 ... Mastery Test B, Page 1 Consumer Mathematics. . Page 5. Name. Date. Period. Mastery Test B, Page 1. Chapter 4. Chapter 4 Mastery Test B. Directions Solve the following problems.. 1. Chapter 1

Mastery Test A - Ms. Brody's Class © American Guidance Service, Inc. Permission is granted to reproduce for classroom use only. Basic Math Skills. Name. Date. Period. Mastery Test B, Page 2. (PPTX) Chapter 5 Practice Test Consumer Math Mastery Test A 1. Donna buys a new car with a base price of \$8,290. She orders an AM/FM stereo radio for \$175 and an automatic transmission for \$550. She pays \$507 for ... CONSUMER MATHEMATICS SKILL TRACK SOFTWARE,.. ... Students work through chapter objectives by answering multiple-choice questions on the computer. The questions cover each new skill introduced in the lessons. Consumer Math Curriculum Map - Google Drive Compute Weekly and Annual Wages, AGS Consumer Mathematics, Chapter 1 Mastery Test ... Determine correct change, AGS Consumer Mathematics, Chapter 12 Mastery Test. Chapter 8 Mastery Test A Mar 14, 2020 — ©AGS® American Guidance Service, Inc. Permission is granted to reproduce for classroom use only. Chapter 8. Mastery. Test A page 2. Consumer ... Consumer Math Mastery Test A - ppt video online download Aug 20, 2017 — 1 Consumer Math Mastery Test A Chapter 5 Practice Test Consumer Math Mastery Test A · 2 Donna buys a new car with a base price of \$8,290. Donna ... Consumer Math - Skill-Specific Practice / Review ... Emphasizes mastery before moving to the next topic. ... Topics and concepts are repeated from level to level, adding more depth at each pass and connecting with ... Writing and Editing for Digital Media - 5th Edition In this fifth edition, Brian Carroll explores writing and editing for digital media with essential information about voice, style, media formats, ideation, ... Writing and Editing for Digital Media: Carroll, Brian Writing and Editing for Digital Media is an ideal handbook for students from all backgrounds who are looking to develop their writing and editing skills for ... Writing and Editing for Digital Media by Carroll, Brian Writing and Editing for Digital Media, 2nd edition, teaches students how to write effectively for digital spaces—whether crafting a story for a website, ... Writing and Editing for Digital Media - Inside Book Publishing Welcome to the companion website for the third edition of Writing and Editing for Digital Media by Brian Carroll! This textbook teaches students how to ... Writing and Editing for Digital Media | Brian Carroll by B Carroll · 2023 · Cited by 110 — In this fifth edition, Brian Carroll explores writing and editing for digital media with essential information about voice, style, ... Writing and Editing for Digital Media (Paperback) May 23, 2023 — In this fifth edition, Brian Carroll explores writing and editing for digital media with essential information about voice, style, media formats ... Writing and Editing for Digital Media - Brian Carroll In this fifth edition, Brian Carroll explores writing and editing for digital media with essential information about voice, style, media formats, Writing and Editing for Digital Media (PUBL90006) Students will gain practical experience in writing in a number of different texts, multimedia styles and formats and will learn to publish their work on a ... Writing and Editing for Digital Media 4th Find 9780367245054 Writing and Editing for Digital Media 4th Edition by Brian Carroll at over 30 bookstores. Buy, rent or sell. Writing and Editing for Digital Media | Rent | 9780367245092 Writing and Editing for Digital Media is an ideal handbook for students from all backgrounds who are looking to develop their writing and editing skills for ...