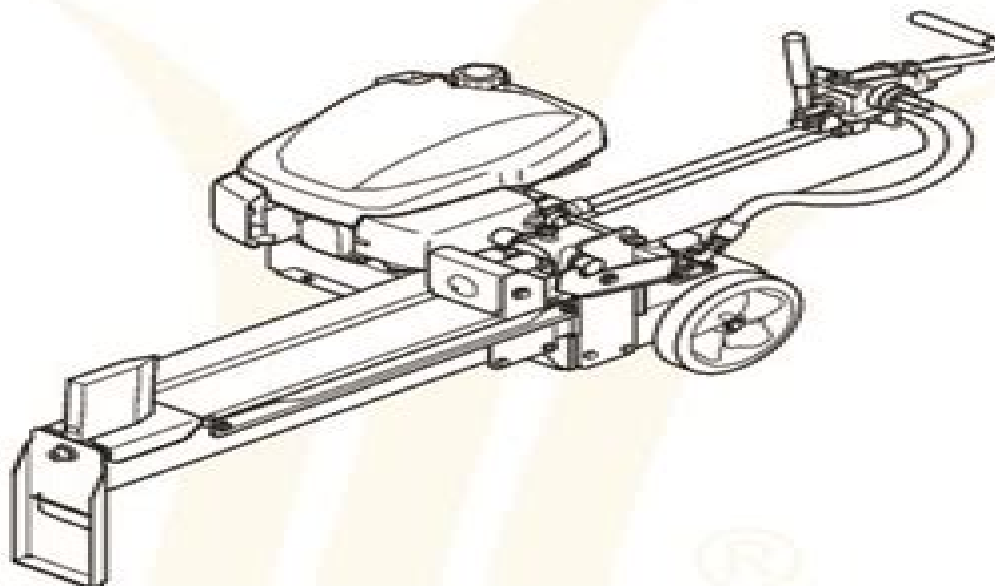


OPERATOR'S MANUAL



Log Splitter — Model Series 5DM

IMPORTANT:

**READ SAFETY RULES AND INSTRUCTIONS
CAREFULLY BEFORE OPERATING EQUIPMENT.**

Mtd Log Splitter Repair Manual

Minjie Lin



Mtd Log Splitter Repair Manual:

Recognizing the exaggeration ways to get this book **Mtd Log Splitter Repair Manual** is additionally useful. You have remained in right site to start getting this info. get the Mtd Log Splitter Repair Manual join that we provide here and check out the link.

You could purchase lead Mtd Log Splitter Repair Manual or get it as soon as feasible. You could speedily download this Mtd Log Splitter Repair Manual after getting deal. So, later than you require the books swiftly, you can straight get it. Its therefore unquestionably easy and thus fats, isnt it? You have to favor to in this broadcast

https://staging.conocer.cide.edu/files/publication/default.aspx/honeycomb_user_guide.pdf

Table of Contents Mtd Log Splitter Repair Manual

1. Understanding the eBook Mtd Log Splitter Repair Manual
 - The Rise of Digital Reading Mtd Log Splitter Repair Manual
 - Advantages of eBooks Over Traditional Books
2. Identifying Mtd Log Splitter Repair Manual
 - Exploring Different Genres
 - Considering Fiction vs. Non-Fiction
 - Determining Your Reading Goals
3. Choosing the Right eBook Platform
 - Popular eBook Platforms
 - Features to Look for in an Mtd Log Splitter Repair Manual
 - User-Friendly Interface
4. Exploring eBook Recommendations from Mtd Log Splitter Repair Manual
 - Personalized Recommendations
 - Mtd Log Splitter Repair Manual User Reviews and Ratings
 - Mtd Log Splitter Repair Manual and Bestseller Lists
5. Accessing Mtd Log Splitter Repair Manual Free and Paid eBooks

- Mtd Log Splitter Repair Manual Public Domain eBooks
 - Mtd Log Splitter Repair Manual eBook Subscription Services
 - Mtd Log Splitter Repair Manual Budget-Friendly Options
6. Navigating Mtd Log Splitter Repair Manual eBook Formats
 - ePub, PDF, MOBI, and More
 - Mtd Log Splitter Repair Manual Compatibility with Devices
 - Mtd Log Splitter Repair Manual Enhanced eBook Features
 7. Enhancing Your Reading Experience
 - Adjustable Fonts and Text Sizes of Mtd Log Splitter Repair Manual
 - Highlighting and Note-Taking Mtd Log Splitter Repair Manual
 - Interactive Elements Mtd Log Splitter Repair Manual
 8. Staying Engaged with Mtd Log Splitter Repair Manual
 - Joining Online Reading Communities
 - Participating in Virtual Book Clubs
 - Following Authors and Publishers Mtd Log Splitter Repair Manual
 9. Balancing eBooks and Physical Books Mtd Log Splitter Repair Manual
 - Benefits of a Digital Library
 - Creating a Diverse Reading Collection Mtd Log Splitter Repair Manual
 10. Overcoming Reading Challenges
 - Dealing with Digital Eye Strain
 - Minimizing Distractions
 - Managing Screen Time
 11. Cultivating a Reading Routine Mtd Log Splitter Repair Manual
 - Setting Reading Goals Mtd Log Splitter Repair Manual
 - Carving Out Dedicated Reading Time
 12. Sourcing Reliable Information of Mtd Log Splitter Repair Manual
 - Fact-Checking eBook Content of Mtd Log Splitter Repair Manual
 - Distinguishing Credible Sources
 13. Promoting Lifelong Learning
 - Utilizing eBooks for Skill Development

- Exploring Educational eBooks
14. Embracing eBook Trends
- Integration of Multimedia Elements
 - Interactive and Gamified eBooks

Mtd Log Splitter Repair Manual Introduction

In the digital age, access to information has become easier than ever before. The ability to download Mtd Log Splitter Repair Manual has revolutionized the way we consume written content. Whether you are a student looking for course material, an avid reader searching for your next favorite book, or a professional seeking research papers, the option to download Mtd Log Splitter Repair Manual has opened up a world of possibilities. Downloading Mtd Log Splitter Repair Manual provides numerous advantages over physical copies of books and documents. Firstly, it is incredibly convenient. Gone are the days of carrying around heavy textbooks or bulky folders filled with papers. With the click of a button, you can gain immediate access to valuable resources on any device. This convenience allows for efficient studying, researching, and reading on the go. Moreover, the cost-effective nature of downloading Mtd Log Splitter Repair Manual has democratized knowledge. Traditional books and academic journals can be expensive, making it difficult for individuals with limited financial resources to access information. By offering free PDF downloads, publishers and authors are enabling a wider audience to benefit from their work. This inclusivity promotes equal opportunities for learning and personal growth. There are numerous websites and platforms where individuals can download Mtd Log Splitter Repair Manual. These websites range from academic databases offering research papers and journals to online libraries with an expansive collection of books from various genres. Many authors and publishers also upload their work to specific websites, granting readers access to their content without any charge. These platforms not only provide access to existing literature but also serve as an excellent platform for undiscovered authors to share their work with the world. However, it is essential to be cautious while downloading Mtd Log Splitter Repair Manual. Some websites may offer pirated or illegally obtained copies of copyrighted material. Engaging in such activities not only violates copyright laws but also undermines the efforts of authors, publishers, and researchers. To ensure ethical downloading, it is advisable to utilize reputable websites that prioritize the legal distribution of content. When downloading Mtd Log Splitter Repair Manual, users should also consider the potential security risks associated with online platforms. Malicious actors may exploit vulnerabilities in unprotected websites to distribute malware or steal personal information. To protect themselves, individuals should ensure their devices have reliable antivirus software installed and validate the legitimacy of the websites they are downloading from. In conclusion, the ability to download Mtd Log Splitter Repair Manual has transformed the way we access information. With the convenience, cost-effectiveness, and accessibility it

offers, free PDF downloads have become a popular choice for students, researchers, and book lovers worldwide. However, it is crucial to engage in ethical downloading practices and prioritize personal security when utilizing online platforms. By doing so, individuals can make the most of the vast array of free PDF resources available and embark on a journey of continuous learning and intellectual growth.

FAQs About Mtd Log Splitter Repair Manual Books

What is a Mtd Log Splitter Repair Manual PDF? A PDF (Portable Document Format) is a file format developed by Adobe that preserves the layout and formatting of a document, regardless of the software, hardware, or operating system used to view or print it. **How do I create a Mtd Log Splitter Repair Manual PDF?** There are several ways to create a PDF: Use software like Adobe Acrobat, Microsoft Word, or Google Docs, which often have built-in PDF creation tools. Print to PDF: Many applications and operating systems have a "Print to PDF" option that allows you to save a document as a PDF file instead of printing it on paper. Online converters: There are various online tools that can convert different file types to PDF. **How do I edit a Mtd Log Splitter Repair Manual PDF?** Editing a PDF can be done with software like Adobe Acrobat, which allows direct editing of text, images, and other elements within the PDF. Some free tools, like PDFescape or Smallpdf, also offer basic editing capabilities. **How do I convert a Mtd Log Splitter Repair Manual PDF to another file format?** There are multiple ways to convert a PDF to another format: Use online converters like Smallpdf, Zamzar, or Adobe Acrobats export feature to convert PDFs to formats like Word, Excel, JPEG, etc. Software like Adobe Acrobat, Microsoft Word, or other PDF editors may have options to export or save PDFs in different formats. **How do I password-protect a Mtd Log Splitter Repair Manual PDF?** Most PDF editing software allows you to add password protection. In Adobe Acrobat, for instance, you can go to "File" -> "Properties" -> "Security" to set a password to restrict access or editing capabilities. Are there any free alternatives to Adobe Acrobat for working with PDFs? Yes, there are many free alternatives for working with PDFs, such as: LibreOffice: Offers PDF editing features. PDFsam: Allows splitting, merging, and editing PDFs. Foxit Reader: Provides basic PDF viewing and editing capabilities. How do I compress a PDF file? You can use online tools like Smallpdf, ILovePDF, or desktop software like Adobe Acrobat to compress PDF files without significant quality loss. Compression reduces the file size, making it easier to share and download. Can I fill out forms in a PDF file? Yes, most PDF viewers/editors like Adobe Acrobat, Preview (on Mac), or various online tools allow you to fill out forms in PDF files by selecting text fields and entering information. Are there any restrictions when working with PDFs? Some PDFs might have restrictions set by their creator, such as password protection, editing restrictions, or print restrictions. Breaking these restrictions might require specific software or tools, which may or may not be legal depending on the circumstances and local laws.

Find Mtd Log Splitter Repair Manual :

[honeycomb user guide](#)

[honey baked ham recipe glaze](#)

[honda trx350 2000 2001 2002 2003 workshop manual](#)

[honda xr2600 repair manual motor](#)

[honda xrm 110 electrical diagram](#)

[honeywell ademco 6150rf manual](#)

[honda xr 80 manual](#)

[honda xr 400 r 1996 2004 repair service manual xr400 xr400r](#)

[honda vtr 250 workshop manual](#)

[honey olives octopus adventures at the greek table](#)

[honda trx250x service manual](#)

[honeywell enterprice builder integrate manual](#)

[honda shadow vt 60service manual](#)

[honda sr4 manual](#)

[honda xr 350 service manual](#)

Mtd Log Splitter Repair Manual :

Life's Healing Choices Revised and Updated John Baker, a former pastor at Saddleback Church, based this book on the eight steps to spiritual freedom (admitting need, getting help, letting go, coming ... Life's Healing Choices Revised and Updated Through making each of these choices, you too will find God's pathway to wholeness, growth, spiritual maturity, happiness, and healing. Life's Healing Choices: Freedom from Your... by Baker, John Book overview ... With a foreword by Rick Warren, author of The Purpose Driven Life, this life-changing book helps you find true happiness—if you choose to accept ... Life's Healing Choices - Learn - Shop Life's Healing Choices · Life's Healing Choices Revised and Updated. Life's Healing Choices Small Group Study Guide Includes 8 study sessions, led by the Life's Healing Choices Small Group DVD that takes you step-by-step through the recovery and self-discovery process. Life's Healing Choices: Freedom from Your Hurts, Hang- ... Read 84 reviews from the world's largest community for readers. LIFE HAPPENS. Happiness and Healing are yours for the choosing. We've all been hurt by ot... Life's Healing Choices Revised And Updated: Freedom ... The road to spiritual maturity is paved with life-changing decisions. Travel toward wholeness, growth, and freedom by following Jesus' signposts along the ... Life's

Healing Choices Small Groups Life's Healing Choices Small Groups ... All leaders are learners. As soon as you stop learning, you stop leading. The Ministry Toolbox is designed to help you ... Life's Healing Choices | LIFE HAPPENS - Happiness and Healing are yours for the choosing. We've all been hurt by other people, we've hurt ourselves, and we've hurt others. And as a ... Theory Of Vibrations With Applications 5th Edition ... Access Theory of Vibrations with Applications 5th Edition solutions now. Our solutions are written by Chegg experts so you can be assured of the highest ... Theory of Vibration With Application 5th Solution PDF Theory of Vibration With Application 5th Solution PDF | PDF | Nature | Teaching Mathematics. Theory of Vibration With Application 5th Solution | PDF Theory of Vibration with application 5th Solution - Free ebook download as PDF File (.pdf) or read book online for free. Solution manual for the 5th edition ... Solutions to Theory of Vibration with Applications 5e ... These are my solutions to the fifth edition of Theory of Vibration with Applications by Thomson and Dahleh. Solution Manual-Theory of Vibration With Application-3rd- ... Solution Manual-Theory of Vibration With Application-3rd-Thomson. Solution Manual-Theory of Vibration With Application-3rd-Thomson. Theory of vibration with applications : solutions manual Theory of vibration with applications : solutions manual. Authors: William Tyrrell Thomson, Marie Dillon Dahleh. Front cover image for Theory of vibration ... (PDF) Theory of vibration with application 3rd solution Theory of vibration with application 3rd solution. Theory of Vibration with Applications: Solutions Manual Title, Theory of Vibration with Applications: Solutions Manual. Author, William Tyrrell Thomson. Edition, 2. Publisher, Prentice-Hall, 1981. Theory of Vibration with application 5th Solution - dokumen.tips DESCRIPTION. Solution manual for the 5th edition of theory of vibration with application. Citation preview. Page 1. Page 1: Theory of Vibration with ... Theory Of Vibration With Applications (Solutions Manual) Theory Of Vibration With Applications (Solutions Manual) by William T. Thomson - ISBN 10: 013914515X - ISBN 13: 9780139145155 - Prentice Hall - Softcover. Phuket Beach Hotel Case Analysis Corporate Finance ... Phuket Beach hotel case ; Mutually Exclusive Capital Projects ; opportunity cost of the projects. Therefore, the discount rate should be weighted average cost ; of ... Solved Phuket Beach Hotel Analysis How do I calculate the May 17, 2015 — Question: Phuket Beach Hotel Analysis How do I calculate the decrease in net room revenue? I know the answers are YR 1=1.65 million, ... Phuket Beach Hotel Final | PDF | Net Present Value Phuket Beach Resort Case Analysis Graduate School of Business De La Salle University. 11. Staff for the karaoke pub could be recruited internally because the hotel ... Case Study Phuket Beach Hotel 2 - HKU 08/15 was looking for a venue in Patong beach area for setting up another outlet, and was eyeing an unused space owned by the Hotel. At this point, the space was ... Phuket Beach Hotel Valuing Mutually Exclusive Capital ... Following questions are answered in this case study solution: Please assess the economic benefits and costs associated with each of the capital projects. What ... Phuket Beach Case - 1683 Words PHUKET BEACH HOTEL: VALUING MUTUALLY EXCLUSIVE PROJECTS I. STATEMENT OF THE PROBLEM This is an assessment of the different costs and benefits of two ... Phuket Beach Hotel Phuket Beach Hotel: Valuing Mutually Exclusive Capital Projects (Case 27-3) The

unused space of the Phuket Beach Hotel w... Phuket Beach Hotel: Valuing Mutually Exclusive Capital ... Case Analysis, Phuket Beach Hotel: Valuing Mutually Exclusive Capital Projects Case Study Solution, 1. Calculate and rank the projects according to payback ... Phuket Beach Hotel: Valuing Mutually Exclusive Capital ... The case presents sufficient information to build-cash flow forecasts for each project and to rank the mutually exclusive projects using various evaluation ... Phuket Beach Hotel Case Study.docx Phuket Beach Hotel Case Study Finance 380 Naomi Smith Summary Phuket Beach Hotel is faced with the decision of funding an in-house bar with a projected ...