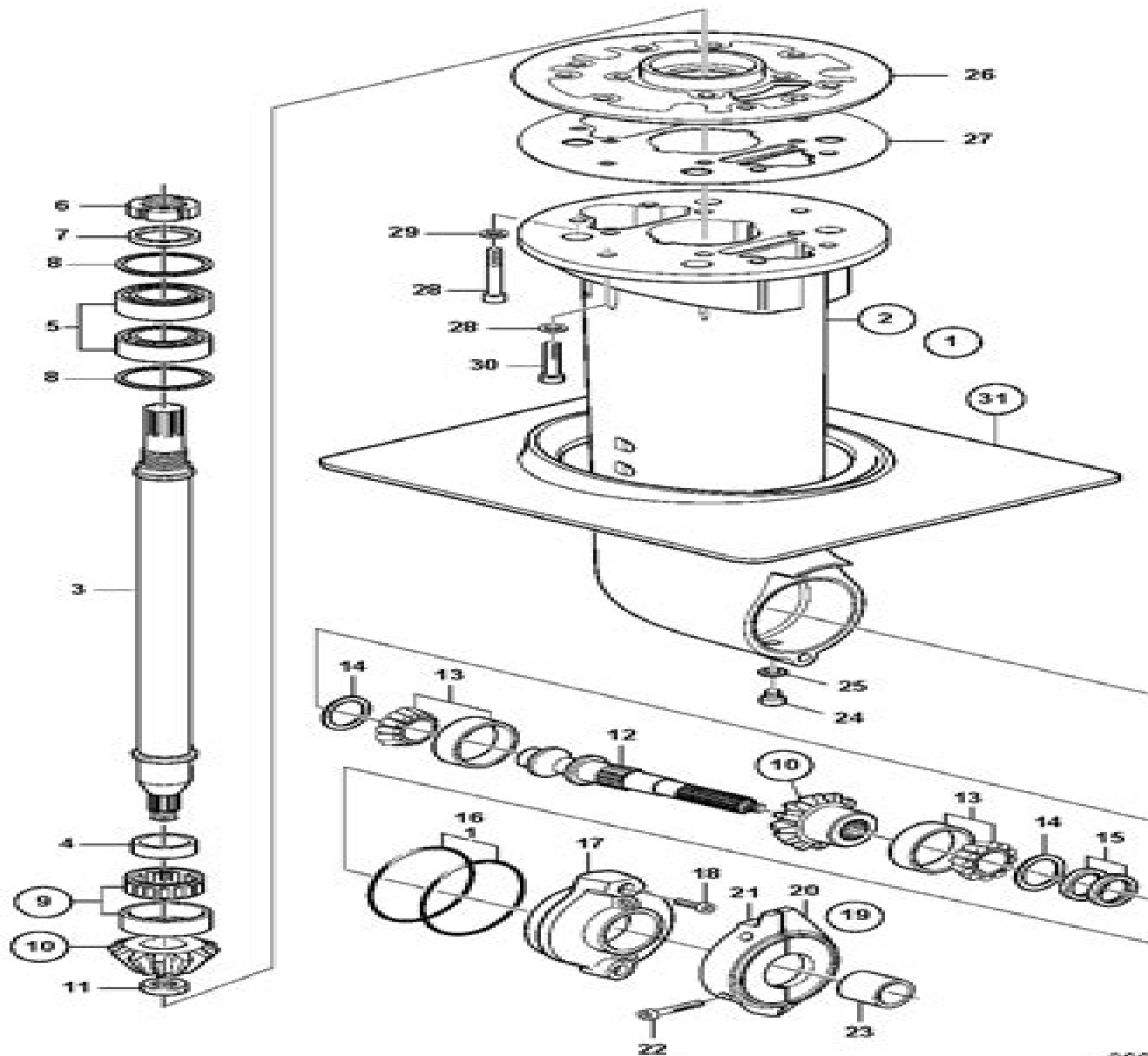


120S-A, 120S-B, 120S-D, 120S-E, MS25S-A, MS25SR-A



Ms25s Workshop Manual

Clemens Wendtner



Ms25s Workshop Manual:

Space Shuttle Advanced Solid Rocket Motor (ASRM) Program, Design, Construction and Operation of New Facilities for Manufacturing and Testing (MS,FL,LA) ,1989 **Workshop Manual Type 2632** Daimler-Benz,1972 **Workshop Manual Type 2624** Daimler-Benz,1967 VOLVO PENTA MD 5 Volvo Penta,2015-04-13 *MGB* John Harold Haynes,1971 *MGF Workshop Manual* Brooklands Books,2006-03-01 This is a re issue of the official factory manual and includes the following publications MGF Workshop Manual RCL 0051ENG 8th edition K Seroes Engine Overhaul Manual RCL0057ENG 6th Edition PG1 Manual Gearbox Overhaul Manual RCL 0124 2nd edition Covers all components and tasks in great detail for both minor and major repairs Engines covered 1 6 MPi 1 8 MPi 1 8VVC *MGF Workshop Manual* ,2000

M. G. B. Owner's Workshop Manual John Harold Haynes,1969 **Workshop Manual Type L & LA1513** Daimler-Benz, 1800 and 18/85 Workshop Manual British Leyland (Austin-Morris) Limited. Service Division,1969

This Enthralling World of Kindle Books: A Comprehensive Guide Revealing the Advantages of Kindle Books: A Realm of Ease and Versatility E-book books, with their inherent mobility and simplicity of access, have freed readers from the constraints of physical books. Gone are the days of lugging cumbersome novels or meticulously searching for specific titles in shops. E-book devices, sleek and portable, seamlessly store an extensive library of books, allowing readers to immerse in their preferred reads whenever, anywhere. Whether traveling on a busy train, lounging on a sunny beach, or just cozying up in bed, E-book books provide an exceptional level of ease. A Reading World Unfolded: Discovering the Wide Array of E-book Ms25s Workshop Manual Ms25s Workshop Manual The Kindle Shop, a virtual treasure trove of bookish gems, boasts an wide collection of books spanning varied genres, catering to every readers taste and choice. From gripping fiction and mind-stimulating non-fiction to classic classics and modern bestsellers, the Kindle Shop offers an exceptional abundance of titles to discover. Whether seeking escape through engrossing tales of fantasy and exploration, diving into the depths of past narratives, or broadening ones knowledge with insightful works of science and philosophical, the Kindle Store provides a gateway to a literary world brimming with endless possibilities. A Transformative Force in the Literary Landscape: The Enduring Impact of E-book Books Ms25s Workshop Manual The advent of E-book books has unquestionably reshaped the bookish scene, introducing a model shift in the way books are published, distributed, and read. Traditional publishing houses have embraced the online revolution, adapting their strategies to accommodate the growing demand for e-books. This has led to a rise in the accessibility of Kindle titles, ensuring that readers have entry to a vast array of literary works at their fingertips. Moreover, E-book books have democratized access to books, breaking down geographical barriers and providing readers worldwide with equal opportunities to engage with the written word. Regardless of their place or socioeconomic background, individuals can now engross themselves in the captivating world of literature, fostering a global community of readers. Conclusion: Embracing the Kindle Experience Ms25s Workshop Manual E-book books Ms25s Workshop Manual, with their inherent ease, flexibility, and wide array of titles, have undoubtedly transformed the way we experience literature. They offer readers the freedom to discover the boundless realm of written expression, anytime, anywhere. As we continue to navigate the ever-evolving digital scene, Kindle books stand as testament to the lasting power of storytelling, ensuring that the joy of reading remains reachable to all.

<https://staging.conocer.cide.edu/book/uploaded-files/HomePages/Fabrics%20And%20Wallpapers.pdf>

Table of Contents Ms25s Workshop Manual

1. Understanding the eBook Ms25s Workshop Manual
 - The Rise of Digital Reading Ms25s Workshop Manual
 - Advantages of eBooks Over Traditional Books
2. Identifying Ms25s Workshop Manual
 - Exploring Different Genres
 - Considering Fiction vs. Non-Fiction
 - Determining Your Reading Goals
3. Choosing the Right eBook Platform
 - Popular eBook Platforms
 - Features to Look for in an Ms25s Workshop Manual
 - User-Friendly Interface
4. Exploring eBook Recommendations from Ms25s Workshop Manual
 - Personalized Recommendations
 - Ms25s Workshop Manual User Reviews and Ratings
 - Ms25s Workshop Manual and Bestseller Lists
5. Accessing Ms25s Workshop Manual Free and Paid eBooks
 - Ms25s Workshop Manual Public Domain eBooks
 - Ms25s Workshop Manual eBook Subscription Services
 - Ms25s Workshop Manual Budget-Friendly Options
6. Navigating Ms25s Workshop Manual eBook Formats
 - ePub, PDF, MOBI, and More
 - Ms25s Workshop Manual Compatibility with Devices
 - Ms25s Workshop Manual Enhanced eBook Features
7. Enhancing Your Reading Experience
 - Adjustable Fonts and Text Sizes of Ms25s Workshop Manual
 - Highlighting and Note-Taking Ms25s Workshop Manual
 - Interactive Elements Ms25s Workshop Manual
8. Staying Engaged with Ms25s Workshop Manual

- Joining Online Reading Communities
 - Participating in Virtual Book Clubs
 - Following Authors and Publishers Ms25s Workshop Manual
9. Balancing eBooks and Physical Books Ms25s Workshop Manual
- Benefits of a Digital Library
 - Creating a Diverse Reading Collection Ms25s Workshop Manual
10. Overcoming Reading Challenges
- Dealing with Digital Eye Strain
 - Minimizing Distractions
 - Managing Screen Time
11. Cultivating a Reading Routine Ms25s Workshop Manual
- Setting Reading Goals Ms25s Workshop Manual
 - Carving Out Dedicated Reading Time
12. Sourcing Reliable Information of Ms25s Workshop Manual
- Fact-Checking eBook Content of Ms25s Workshop Manual
 - Distinguishing Credible Sources
13. Promoting Lifelong Learning
- Utilizing eBooks for Skill Development
 - Exploring Educational eBooks
14. Embracing eBook Trends
- Integration of Multimedia Elements
 - Interactive and Gamified eBooks

Ms25s Workshop Manual Introduction

Ms25s Workshop Manual Offers over 60,000 free eBooks, including many classics that are in the public domain. Open Library: Provides access to over 1 million free eBooks, including classic literature and contemporary works. Ms25s Workshop Manual Offers a vast collection of books, some of which are available for free as PDF downloads, particularly older books in the public domain. Ms25s Workshop Manual : This website hosts a vast collection of scientific articles, books, and textbooks. While it operates in a legal gray area due to copyright issues, its a popular resource for finding various publications. Internet Archive for Ms25s Workshop Manual : Has an extensive collection of digital content, including books, articles, videos, and

more. It has a massive library of free downloadable books. Free-eBooks Ms25s Workshop Manual Offers a diverse range of free eBooks across various genres. Ms25s Workshop Manual Focuses mainly on educational books, textbooks, and business books. It offers free PDF downloads for educational purposes. Ms25s Workshop Manual Provides a large selection of free eBooks in different genres, which are available for download in various formats, including PDF. Finding specific Ms25s Workshop Manual, especially related to Ms25s Workshop Manual, might be challenging as they're often artistic creations rather than practical blueprints. However, you can explore the following steps to search for or create your own Online Searches: Look for websites, forums, or blogs dedicated to Ms25s Workshop Manual, Sometimes enthusiasts share their designs or concepts in PDF format. Books and Magazines Some Ms25s Workshop Manual books or magazines might include. Look for these in online stores or libraries. Remember that while Ms25s Workshop Manual, sharing copyrighted material without permission is not legal. Always ensure you're either creating your own or obtaining them from legitimate sources that allow sharing and downloading. Library Check if your local library offers eBook lending services. Many libraries have digital catalogs where you can borrow Ms25s Workshop Manual eBooks for free, including popular titles. Online Retailers: Websites like Amazon, Google Books, or Apple Books often sell eBooks. Sometimes, authors or publishers offer promotions or free periods for certain books. Authors Website Occasionally, authors provide excerpts or short stories for free on their websites. While this might not be the Ms25s Workshop Manual full book, it can give you a taste of the author's writing style. Subscription Services Platforms like Kindle Unlimited or Scribd offer subscription-based access to a wide range of Ms25s Workshop Manual eBooks, including some popular titles.

FAQs About Ms25s Workshop Manual Books

1. Where can I buy Ms25s Workshop Manual books? Bookstores: Physical bookstores like Barnes & Noble, Waterstones, and independent local stores. Online Retailers: Amazon, Book Depository, and various online bookstores offer a wide range of books in physical and digital formats.
2. What are the different book formats available? Hardcover: Sturdy and durable, usually more expensive. Paperback: Cheaper, lighter, and more portable than hardcovers. E-books: Digital books available for e-readers like Kindle or software like Apple Books, Kindle, and Google Play Books.
3. How do I choose a Ms25s Workshop Manual book to read? Genres: Consider the genre you enjoy (fiction, non-fiction, mystery, sci-fi, etc.). Recommendations: Ask friends, join book clubs, or explore online reviews and recommendations. Author: If you like a particular author, you might enjoy more of their work.

4. How do I take care of Ms25s Workshop Manual books? Storage: Keep them away from direct sunlight and in a dry environment. Handling: Avoid folding pages, use bookmarks, and handle them with clean hands. Cleaning: Gently dust the covers and pages occasionally.
5. Can I borrow books without buying them? Public Libraries: Local libraries offer a wide range of books for borrowing. Book Swaps: Community book exchanges or online platforms where people exchange books.
6. How can I track my reading progress or manage my book collection? Book Tracking Apps: Goodreads, LibraryThing, and Book Catalogue are popular apps for tracking your reading progress and managing book collections. Spreadsheets: You can create your own spreadsheet to track books read, ratings, and other details.
7. What are Ms25s Workshop Manual audiobooks, and where can I find them? Audiobooks: Audio recordings of books, perfect for listening while commuting or multitasking. Platforms: Audible, LibriVox, and Google Play Books offer a wide selection of audiobooks.
8. How do I support authors or the book industry? Buy Books: Purchase books from authors or independent bookstores. Reviews: Leave reviews on platforms like Goodreads or Amazon. Promotion: Share your favorite books on social media or recommend them to friends.
9. Are there book clubs or reading communities I can join? Local Clubs: Check for local book clubs in libraries or community centers. Online Communities: Platforms like Goodreads have virtual book clubs and discussion groups.
10. Can I read Ms25s Workshop Manual books for free? Public Domain Books: Many classic books are available for free as they're in the public domain. Free E-books: Some websites offer free e-books legally, like Project Gutenberg or Open Library.

Find Ms25s Workshop Manual :

~~fabrics and wallpapers~~

~~exquisite ribbon accessories~~

~~extraordinary african americans~~

~~face of south africa~~

~~face to face blr guides to better interviewing every managers guide to better interviewing~~

~~**extra and intracellular calcium and phosphate regulation**~~

~~extreme alpinism climbing light high and fast~~

~~**eyewitness travel guide of philadelphia**~~

eyeing the north star directions in african-canadian literature

exxon valdez oil spill report to the president

face of a stranger

~~expository thoughts on the gospels john expository thoughts on the gospels~~

extreme skateboarding

face off

fa gairt an deasca il

Ms25s Workshop Manual :

55 how to say thank you after a speech seminar or - Apr 12 2023

web dec 2 2022 use of the listed thank you message for guest speaker examples to show your gratitude 1 you are more wonderful than i thought i m trying to piece the right words to describe how special you made the event with your speech thank you 2 i didn t think you would make it today but we re doubly grateful you made us a priority thank you 3

thank you speech sample for seminar bing pdf uniport edu - Jan 29 2022

web mar 24 2023 you could buy lead thank you speech sample for seminar bing or get it as soon as feasible you could speedily download this thank you speech sample for seminar bing after getting deal so in the manner of you require the ebook swiftly you can straight acquire it its suitably totally easy and therefore fats isnt it you have to favor to in

thank you for attending seminar - Aug 04 2022

web dear recipient thank you for being part of organization s title of seminar we hope that you found the presentations informative and had an enjoyable experience looking forward to seeing you again next time sincerely your name

thank you speech 3 examples format sample - Dec 08 2022

web 3 thank you speech examples pdf you might come across a situation wherein you will be asked to give a speech expressing gratitude towards a certain person or groups of people like any other speech you need some planning before the actual occasion so that your speech will go according to your plan whether the thank you speech is for the

long and short thank you speech for an event in english - Oct 06 2022

web march 9 2023 by prasanna thank you speech for an event there are many occasions in our life when we finally achieve what we want the moments of victory and triumph where every ounce of effort seems worth it

how to write a sincere thank you speech with examples - Jul 15 2023

web apr 22 2022 best practice and content suggestions to guide you step by step through writing a short thank you speech sample thank you speech for an award and a link to an example thank you speech for a 18th birthday party a printable thank

you speech planner to download links to thank you quotations you may like to use

50 short vote of thanks speech samples for seminars 2022 - Aug 16 2023

web apr 28 2022 short vote of thanks speech samples for seminars short vote of thanks speech samples for seminars attending the meeting i am assured that you have also got a lot from this meeting first of all i am thankful to the almighty for giving us the courage and spirit to arrange this glorified event

thank you speech sample for seminar bing 2023 - May 01 2022

web within the captivating pages of thank you speech sample for seminar bing a literary masterpiece penned with a renowned author readers set about a transformative journey unlocking the secrets and untapped potential embedded within each

thank you speech sample for seminar bing neurocme med ucla - Dec 28 2021

web right here we have countless ebook thank you speech sample for seminar bing and collections to check out we additionally provide variant types and with type of the books to browse the

thank you speech 7 examples format sample examples - Jun 14 2023

web in the introduction or opening of your speech you need to tell everyone the reason why you are giving a thank you speech may be you just achieve a new milestone or just want to thank everyone you may also see informative speech examples samples

thank you speech sample for seminar bing - Feb 27 2022

web june 23rd 2018 congratulations pat well i also did my exam on sunday and i want to thank you for your website which helped me alot i spent only 5 days straight before the exam but did not have time to do any

thank you speech sample for seminar bing pdf - Nov 07 2022

web thank you speech sample for seminar bing how to run seminars and workshops jan 25 2020 make your message stick with expert help from this classic trainer s resource how to run seminars and workshops is the classic guide for trainers and presenters in any industry packed with clear advice and

thank you letter to seminar attendees how to templates examples - Sep 05 2022

web a written letter to those participating in a seminar is known as a thank you letter to seminar participants the letter thanks the participant for their time and participation in the event and may also include comments on the seminar and any further materials or information

50 short vote of thanks speech samples for seminars 2022 - Jul 03 2022

web nov 28 2019 461shares facebook15 twitter0 pinterest446 stumbleupon0 tumblrshort vote of thanks speech samples for seminars short vote of thanks speech samples for seminars attending the meeting i am assured that you have also got a lot

from this meeting first of all i am thankful to the almighty for giving us the courage and s

thank you speech in english for students vedantu - Jun 02 2022

web sep 10 2023 10 lines about a thank you graduation speech a thank you speech is given by a person who has accomplished something to prepare for a speech you should have the information about the event a gratitude speech should always start with the speaker showing his respect toward his friends and family member who helped help

5 thank you for attending webinar templates blaze today - May 13 2023

web may 18 2022 you can do more than just say thank you and you can truly connect with your audience if you do it the right way in this article we ll discuss how to write thank you for attending our webinar messages and provide 5 templates to help you get started

thank you speech sample for seminar bing pdf old vulkk - Mar 31 2022

web thank you speech sample for seminar bing i am a speech teacher military cold war education and speech review policies speech and computer thank you for being an amazing speech teacher dear speech teacher thank you for helping me grow keep calm and let the speech teacher handle verbmobil foundations of speech to

how to give a thank you speech public speaking resources - Jan 09 2023

web speak from the heart and it will definitely ring true for phrasing try something along the lines of from the bottom of my heart i d like to give a special thanks to some of the amazing people without whom i cannot imagine standing up here on this stage name your supporters and give out your sincere thanks

40 thank you messages for guest speaker eventhorizonmag - Mar 11 2023

web mar 2 2023 thank you messages after seminar thank you for inviting me to speak at your seminar i hope my presentation didn t put anyone to sleep if it did i promise to bring more caffeine next time just wanted to say a quick thank you for the opportunity to speak at your seminar i had a blast and i hope everyone else did too

how to write a meaningful thank you note harvard business review - Feb 10 2023

web november 17 2021 hbr staff getty images the burtons summary many of us fear expressing our thanks to others we might worry that our efforts will be misinterpreted or make the person on the

bryant furnace 373lav user guide manualsonline com - Jun 06 2022

web user s information manual models 373la v 376ca v downflow horizontal and 383ka v 395ca v upflow gas furnace note to installer this manual must be left with the equipment user upflow downflow horizontal user s information manual do not store or use gasoline or other

bryant 373lav user manual 20 pages manualdir com - Apr 16 2023

web installation start up and operating instructions 373lav series g read online or download pdf bryant 373lav user manual

bryant 373lav en user manual 12 pages also for 383kav - Nov 11 2022

web user s information manual do not store or use gasoline or other flammable vapors and liquids in the vicinity of this or any other appliance what to do if you smell gas do not try to light any appliance do not touch any electrical switch do not use any phone in your building immediately call your gas supplier from a

bryant 373lav installation start up and operating instructions manual - Oct 22 2023

web view and download bryant 373lav installation start up and operating instructions manual online downflow horizontal gas fired induced combustion furnaces series e 373lav furnace pdf manual download

bryant 395cav 373lav 376cav 383kav furnace user manual - May 05 2022

web take a little time now to assure its most efficient operation for years to come 1 model 383kav and 395cav upflow furnace 2 model 373lav and 376cav downflow horizontal furnace upflow furnace components 1 relief box 2 rating plate 3 gas valve control knob or electric switch on off 4 gas valve 5 gas burner 6

bryant 373lav series installation start up and - Aug 20 2023

web view and download bryant 373lav series installation start up and operating instructions manual online downflow horizontal gas fired induced combustion furnaces 373lav series furnace pdf manual download

download bryant 373lav series installation start up and - Jul 19 2023

web bryant 373lav series installation start up and operating instructions manual brand bryant category furnace size 0 27 mb pages 22 please tick the box below to get your link get manual

bryant 373lav service and maintenance procedures manual - Jun 18 2023

web view and download bryant 373lav service and maintenance procedures manual online gas fired induced combustion furnaces series g 373lav furnace pdf manual download also for 383kav series g

bryant gas fired induced coustion furnaces 373lav user manual - Jan 13 2023

web gas fired induced coustion furnaces 373lav read user manual online or download in pdf format pages in total bryant gas fired induced coustion furnaces 373lav user manual download like full screen standard page of 16 go installing and servicing heating equipment can be hazardous due to

bryant 373lav 376cav 383kav 395cav 373lav 376cav 383kav manual - Apr 04 2022

web bryant 373lav 376cav 383kav 395cav 373lav 376cav 383kav manual 1 download 12 pages 191 kb user s information manual models 373lav 376cav downflow horizontal and 383kav 395cav upflow gas furnace note to installer this manual must be left with the

bryant 373lav 376cav 383kav 395cav 373lav - Mar 03 2022

web models 373lav 376cav downflow horizontal and 383kav 395cav upflow gas furnace welcome to todays generation of

comfort 3 model 383kav and 395cav upow furnace model 373lav and 376cav downow horizontal al furnace 2 upflow furnace components 3 downflow horizontal furnace components important facts safety considerations 4

models 373lav 376cav downflow horizontal and 383kav 395cav upflow - Mar 15 2023

web user s information manual user s information manual models 373lav 376cav downflow horizontal and 383kav 395cav upflow gas furnace upflow downflow horizontal note to installer this manual must be left with the equipment user

[bryant 373lav user s information manual pdf download](#) - Sep 21 2023

web view and download bryant 373lav user s information manual online bryant upflow gas furnace user s information manual 373lav furnace pdf manual download also for 376cav 383kav 395cav 373lav 376cav 383kav 395cav

download bryant 373lav service and maintenance procedures manual - Oct 10 2022

web bryant 373lav service and maintenance procedures manual brand bryant category furnace size 0 21 mb pages 12 this manual is also suitable for 383kav series g

bryant gas fired induced combustion furnaces 373lav manualslib - Feb 14 2023

web view and download bryant gas fired induced combustion furnaces 373lav service and maintenance procedures manual online gas fired induced combustion furnaces series g gas fired induced combustion furnaces 373lav furnace pdf manual download also for gas fired induced combustion

product manuals product documents bryant - May 17 2023

web find product manuals and documements for your heating and cooling systems with the bryant hvac document finder

[bryant 373lav upflow gas furnace user s information manual](#) - Aug 08 2022

web user s information manual user s information manual models 373lav 376cav downflow horizontal and 383kav 395cav upflow gas furnace note to installer this manual must be left with the equipment user

[models 373lav 376cav downflow horizontal and 383kav 395cav upflow](#) - Sep 09 2022

web 383kav 395cav upflow gas furnace note to installer this manual must be left with the equipment user warning if the information in this man ual is not followed exactly a fire or explosion may result causing

bryant 373lav user manual page 1 of 12 manualsbrain com - Dec 12 2022

web 373lav read user manual online or download in pdf format pages in total 12 383kav 395cav upflow gas furnace installation and service must be performed by a qualified installer service agency or the gas supplier warning

bryant 373lav furnace installation start up and operating - Jul 07 2022

web view online installation start up and operating instructions manual for bryant 373lav furnace or simply click download button to examine the bryant 373lav guidelines offline on your desktop or laptop computer

kleider machen bräute kleidermachenbraeute instagram - Apr 01 2023

web 8 703 followers 953 following 943 posts see instagram photos and videos from kleider machen braute
kleidermachenbraute

kleider machen bräute kleider machen braute on instagram - Mar 20 2022

web 1 167 followers 347 posts second hand neue brautkleider gr 36 46 hochwertige markenkleider und accessoires ☐
persönliche anprobeterminen wiesbaden

kleider machen bräute facebook - Feb 28 2023

web kleider machen bräute nuremberg 3 687 likes 17 talking about this 123 were here unser ziel eine zweite hochzeit für die tollsten brautkleider und eine weitere glückliche braut

kleider machen bräute brautmode brautkleider boutique liebe - Jan 30 2023

web kleider machen bräute brautkleider filter hersteller wilmas kleid lila bridal couture kleider machen bräute therese luise
elementar sina fischer kisui berlin schnittformen a linie fit and flair zweiteiler top hose spizentop pullover spizenoberteil
jacke spizenoberteil clara z sibel k spizenoberteil nike d

kleider machen bräute home facebook - Dec 29 2022

web unser ziel eine zweite hochzeit für die tollsten brautkleider und eine weitere glückliche braut goethestraße 21 90409
nuremberg germany

nachhaltige brautmode aus münchen kleider machen bräute - Jun 03 2023

web kleider machen bräute hans sachs straße 18 80469 münchen zum kontaktformular 089 215287990 termin buchen unser
sortiment dein nachhaltiges brautkleid atelier in münchen nachhaltigkeit spielt bei uns eine tragende rolle denn wir
verhelfen wunderschönen brautkleidern zu einem weiteren auftritt in neuem glanz

kleider machen bräute der erfahrungsbericht agentur - Jul 24 2022

web das schöne am kleider machen bräute konzept ist dass das zusammensein im fokus steht wir haben also im vorhinein
gemeinsam maße genommen und drei tolle brautkleider für unsere happy bride box ausgesucht dazu konnten wir uns im
online shop noch schuhe schleier und schmuck aussuchen

kleider machen leute die redensart geo - Apr 20 2022

web eine erzählung von gottfried keller aus dem 19 jahrhundert trägt den titel kleider machen leute sie erzählt von einem
armen schneiderlehrling der wegen seiner vornehmen kleider für einen grafen gehalten wird und der diese situation solange
ausnutzt bis die täuschung schließlich auffliegt diese geschichte zeigt wie leicht sich

kleider machen bräute gmbh jobs und mission goodjobs - Feb 16 2022

web kleider machen bräute gmbh wir sind kleider machen bräute gemeinsam revolutionieren wir brautmode 2017 gegründet
gehört kleider machen bräute zu den pionieren in sachen nachhaltiger brautmode in deutschland

kleider machen bräute nachhaltige brautmode - Oct 07 2023

web kleider machen bräute nachhaltige brautmode aus nürnberg Über 230 hochzeitskleider in div größen buche jetzt deinen kostenfreien beratungstermin

kontakt kleider machen bräute - Oct 27 2022

web deine kontakthanfrage an kleider machen bräute vorname nachname e mail tel betreff beschreibung

kleider machen bräute facebook - Nov 27 2022

web kleider machen bräute nürnberg gefällt 3 687 mal 17 personen sprechen darüber 123 waren hier unser ziel eine zweite hochzeit für die tollsten brautkleider und eine weitere glückliche braut

die nordreportage kleider machen bräute ard mediathek - May 02 2023

web mar 8 2023 kleider machen bräute 09 03 2023 die nordreportage ndr ut merken sissy gutschmidt hat sich mit einem brautkleid bringdienst selbstständig gemacht die 35 jährige aus sanitz in mecklenburg vorpommern tingelt über die dörfer und bringt die spitzenträume in weiß zu ihren kundinnen

kleider machen bräute autor auf mucbook - May 22 2022

web dec 3 2020 kleider machen braeute unsere mission ist brautmode nachhaltiger zu machen dafür steht unser konzept aus second hand und nachhaltig gefertigten kleidern aber vor allem wollen wir spaß haben kleider machen braeute de

finde und kaufe dein brautkleid kleider machen bräute - Aug 05 2023

web die kollektion nachhaltig verführerisch und ziemlich gut gelaunt die brautkleider unserer eigenen kollektion made in bavaria tanzen aus der reihe wanna dance with us zur kollektion unsere ateliers wir feiern dein traumkleid mit zauberhaften styles kompetenter beratung und nem sekt aufs haus nürnberg münchen accessoires

wunderschöne accessoires kleider machen bräute tops - Jun 22 2022

web wunderschöne accessoires kleider machen bräute tops skip to content menu showrooms nürnberg münchen brautkleider styles lookbook sense of green accessoires alle accessoires schuhe schleier brautpullover strick ohrringe haarschmuck corona masken halsketten anzüge brautkleid verkaufen b2b kmb

nachhaltige brautkleider kleider machen bräute neu - Jul 04 2023

web kollektion 2022 sense of green 2021 dress with care für mehr nachhaltigkeit in der brautmode haben wir unsere erste eigene kollektion made in germany und unter verwendung nachhaltiger stoffe entworfen made in bavaria unsere brautkleider werden in deutschland von höchster qualität gefertigt

kleider machen bräute munich showroom - Aug 25 2022

web may 28 2021 kleider machen bräute is a bridal brand from nuremberg with a very strong focus on sustainability wood fiber bamboo and recycled plastics are some of their materials for their new collection

kleider machen bräute gmbh linkedin - Sep 25 2022

web about us wir sind kleider machen bräute seit 2017 setzen wir uns für mehr nachhaltigkeit in der brautmodebranche ein mit unserer eigenen kollektion aus nachhaltigen materialien unter besten

kollektion kleider machen bräute - Sep 06 2023

web kollektion nachhaltige stoffe design und fertigung in deutsch land we proudly present kollektion 2020 21 nach dem credo so nachhaltig wie möglich arbeiten wir mit überwiegend natürlichen oder recycelten materialien beim futterstoff unserer brautkleider verwenden wir ausschließlich tencel anstatt herkömmlichen polyester futter