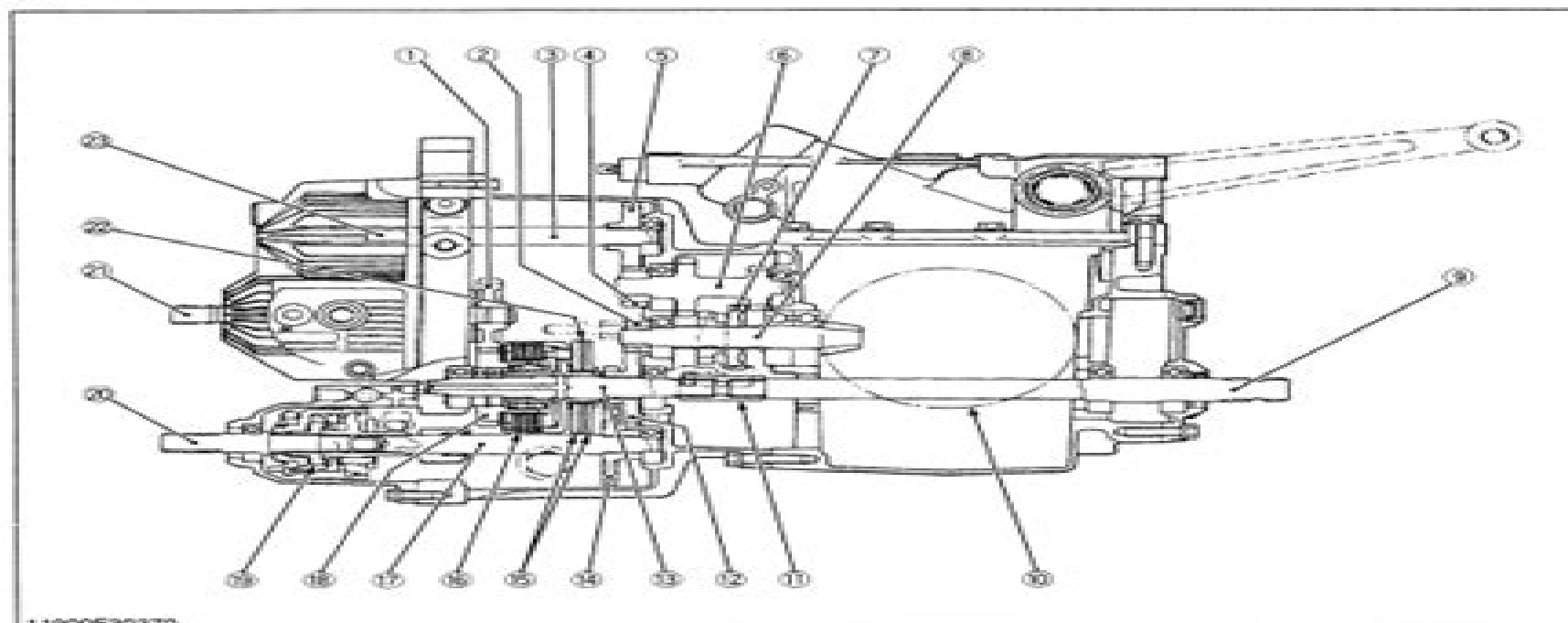


## [1] POWER TRAIN

### (1) Four Wheel Drive



11900F30370

- |                  |                               |  |                                     |
|------------------|-------------------------------|--|-------------------------------------|
| (1) 30T Gear     | (8) Spiral Bevel Pinion Shaft | (15) PTO Brake Plate                             | (20) RWD Shaft 2                    |
| (2) 11T Gear     | (9) PTO Shaft                 | (16) Hydraulic PTO Clutch Assembly               | (21) Pump Shaft                     |
| (3) Motor Shaft  | (10) Differential Gear        | (17) RWD Shaft 1                                 | (22) PTO Brake Disc                 |
| (4) 15T Gear     | (11) Coupling                 | (18) 32T Gear                                    | (23) Hydrostatic Transmission (HST) |
| (5) 28T Gear     | (12) 16T-33T Gear             | (19) Dual-acting Overrunning Clutch (DAO Clutch) |                                     |
| (6) 18T-17T Gear | (13) Clutch Shaft             |  |                                     |
| (7) 15T-26T Gear | (14) 34T Gear                 |  |                                     |

The transmission consists of a series of gears shown above. It offers the most suitable speed for travelling and operation by combination of these gears.

It transmits power to the front and rear axles and PTO shaft, which are classified respectively as the travelling system and PTO system.

#### FORWARD AND REVERSE

##### ■ Hi Position

Motor Shaft (3) → 28T Gear (5) → 15T Gear (4) → 18T-(17T) Gear (6) → 15T-(26T) Gear (7) → Spiral Bevel Pinion Shaft (8) → Differential Gear (10)

##### ■ Low Position

Motor Shaft (3) → 28T Gear (5) → 15T Gear (4) → (18T)-17T Gear (6) → (15T)-26T Gear (7) → Spiral Bevel Pinion Shaft (8) → Differential Gear (10)

##### ■ Neutral Position

Motor Shaft (3) → 28T Gear (5) → 15T Gear (4) → 18T-17T Gear (6)

##### ■ Rear Wheel Drive

Spiral Bevel Pinion Shaft (8) → 11T Gear (2) → 16T-33T Gear (12) → RWD Shaft 1 (17) → DAO Clutch (19) → RWD Shaft 2 → Rear Differential Gear

11900M30010

# Kubota F2260 F2560 F3060 F3560 Factory Service Repair Manual

**Mike Jess**



**Kubota F2260 F2560 F3060 F3560 Factory Service Repair Manual:**

## Unveiling the Power of Verbal Beauty: An Mental Sojourn through **Kubota F2260 F2560 F3060 F3560 Factory Service Repair Manual**

In a global inundated with monitors and the cacophony of immediate transmission, the profound energy and emotional resonance of verbal beauty frequently disappear into obscurity, eclipsed by the constant assault of sound and distractions. Yet, nestled within the lyrical pages of **Kubota F2260 F2560 F3060 F3560 Factory Service Repair Manual**, a interesting work of literary beauty that pulses with fresh emotions, lies an unforgettable journey waiting to be embarked upon. Published with a virtuoso wordsmith, that interesting opus instructions viewers on an emotional odyssey, gently revealing the latent potential and profound impact embedded within the complicated internet of language. Within the heart-wrenching expanse of this evocative examination, we can embark upon an introspective exploration of the book is key subjects, dissect their fascinating publishing style, and immerse ourselves in the indelible impression it leaves upon the depths of readers souls.

<https://staging.conocer.cide.edu/book/virtual-library/index.jsp/Hamlyn%20All%20Colour%20Of%20Main%20Dishes.pdf>

### **Table of Contents Kubota F2260 F2560 F3060 F3560 Factory Service Repair Manual**

1. Understanding the eBook Kubota F2260 F2560 F3060 F3560 Factory Service Repair Manual
  - The Rise of Digital Reading Kubota F2260 F2560 F3060 F3560 Factory Service Repair Manual
  - Advantages of eBooks Over Traditional Books
2. Identifying Kubota F2260 F2560 F3060 F3560 Factory Service Repair Manual
  - Exploring Different Genres
  - Considering Fiction vs. Non-Fiction
  - Determining Your Reading Goals
3. Choosing the Right eBook Platform
  - Popular eBook Platforms
  - Features to Look for in an Kubota F2260 F2560 F3060 F3560 Factory Service Repair Manual
  - User-Friendly Interface
4. Exploring eBook Recommendations from Kubota F2260 F2560 F3060 F3560 Factory Service Repair Manual

- Personalized Recommendations
  - Kubota F2260 F2560 F3060 F3560 Factory Service Repair Manual User Reviews and Ratings
  - Kubota F2260 F2560 F3060 F3560 Factory Service Repair Manual and Bestseller Lists
5. Accessing Kubota F2260 F2560 F3060 F3560 Factory Service Repair Manual Free and Paid eBooks
    - Kubota F2260 F2560 F3060 F3560 Factory Service Repair Manual Public Domain eBooks
    - Kubota F2260 F2560 F3060 F3560 Factory Service Repair Manual eBook Subscription Services
    - Kubota F2260 F2560 F3060 F3560 Factory Service Repair Manual Budget-Friendly Options
  6. Navigating Kubota F2260 F2560 F3060 F3560 Factory Service Repair Manual eBook Formats
    - ePub, PDF, MOBI, and More
    - Kubota F2260 F2560 F3060 F3560 Factory Service Repair Manual Compatibility with Devices
    - Kubota F2260 F2560 F3060 F3560 Factory Service Repair Manual Enhanced eBook Features
  7. Enhancing Your Reading Experience
    - Adjustable Fonts and Text Sizes of Kubota F2260 F2560 F3060 F3560 Factory Service Repair Manual
    - Highlighting and Note-Taking Kubota F2260 F2560 F3060 F3560 Factory Service Repair Manual
    - Interactive Elements Kubota F2260 F2560 F3060 F3560 Factory Service Repair Manual
  8. Staying Engaged with Kubota F2260 F2560 F3060 F3560 Factory Service Repair Manual
    - Joining Online Reading Communities
    - Participating in Virtual Book Clubs
    - Following Authors and Publishers Kubota F2260 F2560 F3060 F3560 Factory Service Repair Manual
  9. Balancing eBooks and Physical Books Kubota F2260 F2560 F3060 F3560 Factory Service Repair Manual
    - Benefits of a Digital Library
    - Creating a Diverse Reading Collection Kubota F2260 F2560 F3060 F3560 Factory Service Repair Manual
  10. Overcoming Reading Challenges
    - Dealing with Digital Eye Strain
    - Minimizing Distractions
    - Managing Screen Time
  11. Cultivating a Reading Routine Kubota F2260 F2560 F3060 F3560 Factory Service Repair Manual
    - Setting Reading Goals Kubota F2260 F2560 F3060 F3560 Factory Service Repair Manual
    - Carving Out Dedicated Reading Time
  12. Sourcing Reliable Information of Kubota F2260 F2560 F3060 F3560 Factory Service Repair Manual

- Fact-Checking eBook Content of Kubota F2260 F2560 F3060 F3560 Factory Service Repair Manual
  - Distinguishing Credible Sources
13. Promoting Lifelong Learning
- Utilizing eBooks for Skill Development
  - Exploring Educational eBooks
14. Embracing eBook Trends
- Integration of Multimedia Elements
  - Interactive and Gamified eBooks

### **Kubota F2260 F2560 F3060 F3560 Factory Service Repair Manual Introduction**

In today's digital age, the availability of Kubota F2260 F2560 F3060 F3560 Factory Service Repair Manual books and manuals for download has revolutionized the way we access information. Gone are the days of physically flipping through pages and carrying heavy textbooks or manuals. With just a few clicks, we can now access a wealth of knowledge from the comfort of our own homes or on the go. This article will explore the advantages of Kubota F2260 F2560 F3060 F3560 Factory Service Repair Manual books and manuals for download, along with some popular platforms that offer these resources. One of the significant advantages of Kubota F2260 F2560 F3060 F3560 Factory Service Repair Manual books and manuals for download is the cost-saving aspect. Traditional books and manuals can be costly, especially if you need to purchase several of them for educational or professional purposes. By accessing Kubota F2260 F2560 F3060 F3560 Factory Service Repair Manual versions, you eliminate the need to spend money on physical copies. This not only saves you money but also reduces the environmental impact associated with book production and transportation. Furthermore, Kubota F2260 F2560 F3060 F3560 Factory Service Repair Manual books and manuals for download are incredibly convenient. With just a computer or smartphone and an internet connection, you can access a vast library of resources on any subject imaginable. Whether you're a student looking for textbooks, a professional seeking industry-specific manuals, or someone interested in self-improvement, these digital resources provide an efficient and accessible means of acquiring knowledge. Moreover, PDF books and manuals offer a range of benefits compared to other digital formats. PDF files are designed to retain their formatting regardless of the device used to open them. This ensures that the content appears exactly as intended by the author, with no loss of formatting or missing graphics. Additionally, PDF files can be easily annotated, bookmarked, and searched for specific terms, making them highly practical for studying or referencing. When it comes to accessing Kubota F2260 F2560 F3060 F3560 Factory Service Repair Manual books and manuals, several platforms offer an extensive collection of resources. One such platform is Project Gutenberg, a nonprofit organization that provides over 60,000 free eBooks. These books are primarily in the public

domain, meaning they can be freely distributed and downloaded. Project Gutenberg offers a wide range of classic literature, making it an excellent resource for literature enthusiasts. Another popular platform for Kubota F2260 F2560 F3060 F3560 Factory Service Repair Manual books and manuals is Open Library. Open Library is an initiative of the Internet Archive, a non-profit organization dedicated to digitizing cultural artifacts and making them accessible to the public. Open Library hosts millions of books, including both public domain works and contemporary titles. It also allows users to borrow digital copies of certain books for a limited period, similar to a library lending system. Additionally, many universities and educational institutions have their own digital libraries that provide free access to PDF books and manuals. These libraries often offer academic texts, research papers, and technical manuals, making them invaluable resources for students and researchers. Some notable examples include MIT OpenCourseWare, which offers free access to course materials from the Massachusetts Institute of Technology, and the Digital Public Library of America, which provides a vast collection of digitized books and historical documents. In conclusion, Kubota F2260 F2560 F3060 F3560 Factory Service Repair Manual books and manuals for download have transformed the way we access information. They provide a cost-effective and convenient means of acquiring knowledge, offering the ability to access a vast library of resources at our fingertips. With platforms like Project Gutenberg, Open Library, and various digital libraries offered by educational institutions, we have access to an ever-expanding collection of books and manuals. Whether for educational, professional, or personal purposes, these digital resources serve as valuable tools for continuous learning and self-improvement. So why not take advantage of the vast world of Kubota F2260 F2560 F3060 F3560 Factory Service Repair Manual books and manuals for download and embark on your journey of knowledge?

### **FAQs About Kubota F2260 F2560 F3060 F3560 Factory Service Repair Manual Books**

**What is a Kubota F2260 F2560 F3060 F3560 Factory Service Repair Manual PDF?** A PDF (Portable Document Format) is a file format developed by Adobe that preserves the layout and formatting of a document, regardless of the software, hardware, or operating system used to view or print it. **How do I create a Kubota F2260 F2560 F3060 F3560 Factory Service Repair Manual PDF?** There are several ways to create a PDF: Use software like Adobe Acrobat, Microsoft Word, or Google Docs, which often have built-in PDF creation tools. Print to PDF: Many applications and operating systems have a "Print to PDF" option that allows you to save a document as a PDF file instead of printing it on paper. Online converters: There are various online tools that can convert different file types to PDF. **How do I edit a Kubota F2260 F2560 F3060 F3560 Factory Service Repair Manual PDF?** Editing a PDF can be done with software like Adobe Acrobat, which allows direct editing of text, images, and other elements within the PDF. Some free tools, like PDFescape or Smallpdf,

also offer basic editing capabilities. **How do I convert a Kubota F2260 F2560 F3060 F3560 Factory Service Repair Manual PDF to another file format?** There are multiple ways to convert a PDF to another format: Use online converters like Smallpdf, Zamzar, or Adobe Acrobats export feature to convert PDFs to formats like Word, Excel, JPEG, etc. Software like Adobe Acrobat, Microsoft Word, or other PDF editors may have options to export or save PDFs in different formats. **How do I password-protect a Kubota F2260 F2560 F3060 F3560 Factory Service Repair Manual PDF?** Most PDF editing software allows you to add password protection. In Adobe Acrobat, for instance, you can go to "File" -> "Properties" -> "Security" to set a password to restrict access or editing capabilities. Are there any free alternatives to Adobe Acrobat for working with PDFs? Yes, there are many free alternatives for working with PDFs, such as: LibreOffice: Offers PDF editing features. PDFsam: Allows splitting, merging, and editing PDFs. Foxit Reader: Provides basic PDF viewing and editing capabilities. How do I compress a PDF file? You can use online tools like Smallpdf, ILovePDF, or desktop software like Adobe Acrobat to compress PDF files without significant quality loss. Compression reduces the file size, making it easier to share and download. Can I fill out forms in a PDF file? Yes, most PDF viewers/editors like Adobe Acrobat, Preview (on Mac), or various online tools allow you to fill out forms in PDF files by selecting text fields and entering information. Are there any restrictions when working with PDFs? Some PDFs might have restrictions set by their creator, such as password protection, editing restrictions, or print restrictions. Breaking these restrictions might require specific software or tools, which may or may not be legal depending on the circumstances and local laws.

### **Find Kubota F2260 F2560 F3060 F3560 Factory Service Repair Manual :**

[hamlyn all colour of main dishes](#)

**hammer of the sun**

[hamlet; new swan shakespeare advanced series](#)

**hancel - they dont buy me no peanuts a memoir**

**handbook of alaska its resources products and attractions in 1924. third edition**

*handbook of hazardous waste management for small quantity generators*

*handbook of health behavior research i personal and social determinants*

~~handbook of good busineb practice~~

~~handbook of applied developmental scien volume 4~~

[handbook of educational variables a guide to evaluation](#)

~~handbook of macroeconomics volume 1e~~

*handbook of critical approaches to literature 5th*



hand for travellers in spain 3vol

**handbook of medical library practice set**

handbook of geophysics rev edition

**Kubota F2260 F2560 F3060 F3560 Factory Service Repair Manual :**

*berr y full of dna st elmo brady - Aug 21 2023*

web berr y full of dna strawberry dna extraction draw and label the contents of your test tube label the following strawberry extract ethanol dna it is important that you understand the steps in the extraction procedure and why each step was necessary each step in the procedure aided in isolating the dna from other cellular materials match the

**a berry full of dna docslib - Jul 08 2022**

web a berry full of dna dna extraction a berry full of dna background dna deoxyribonucleic acid is located in the cells of all living organisms the dna molecule directs the synthesis of every protein and contains all the genetic information that is passed on to new cells although dna is an incredibly small molecule in large quantities it

**name berry full of dna dna extraction lab question what - Jul 20 2023**

web lab overview in this investigation you will break open cells prepare a filtered extract containing dna and separate out molecules of dna in a test tube background every cell in a strawberry contains eight copies of each of its chromosomes as a result strawberries contain large amounts of dna

berry full of dna nvhs notes google sites - Feb 15 2023

web would the dna be the same in any cell in the human body hint remember that each person starts out as a single cell the fertilized egg yes except for the germs cells if you wanted to extract dna from a living person what cells would you use and why cheek cells they are non invasive to get

*lab berry full of dna dna extraction lab tpt - Jan 14 2023*

web my students love this lab in this activity students are going to break apart the cell membrane of a strawberry and separate the dna from the nucleus they will get to see and touch actual dna strawberries are easy to use because they are soft easy to pulverize and they are octoploid which mean

**lab berry full of dna flashcards quizlet - Oct 23 2023**

web since the strawberries were once living and we extracted dna from them what does this mean about the foods you eat a foods are living and they have dna study with quizlet and memorize flashcards containing terms like 1 q describe the dna you extracted

**title berry full of dna studylib net - Aug 09 2022**

web title berry full of dna extracting and spooling strawberry dna pennsylvania standards covered 3 2 7 b apply process knowledge to make and interpret observations 3 3 7 c know that every organism has a set of genetic instructions that determines its inherited traits 3 7 7 b use appropriate instruments and apparatus to study materials

[berry full of dna answers barry danylak book](#) - Jun 07 2022

web dna is rapidly and inevitably dropping to just 1 000 dozens of men and women scientists entrepreneurs celebrities and patients have already been sequenced pioneers in a bold new era of personalized genomic medicine the 1 000 genome has long been considered the tipping point that would open the floodgates to this revolution

**berry full of dna mr o neil s biology** - Mar 16 2023

web berry full of dna berry full of dna a dna extraction lab question what properties of dna can be observed in a test tube overview in this lab you will observe the physical properties of dna you will break open strawberry cells prepare a filtered extract containing strawberry dna and separate out molecules of dna in a test tube

**berry full of dna hulse s class** - Apr 17 2023

web when the test tube is about 1 8 full remove the funnel discard sample answer the dna dissolved in the detergent solution so we could not see extension students will find that they can extract substantially more dna from the straw berry sample than from the banana sample however keep in mind that there are several variables that

**download solutions berry full of dna analysis answers** - May 06 2022

web berry full of dna analysis answers forensic dna analysis aug 29 2021 the field of forensic dna analysis has grown immensely in the past two decades and genotyping of biological samples is now routinely performed in human identification hid laboratories application areas include

[berry full of dna lab sheet doc course hero](#) - Nov 12 2022

web berry full of dna overview have you ever wondered what dna really looks like there are some organisms like strawberries that have dna so big you can see it without a microscope in this experiment you will extract the dna from a real strawberry and even be able to see it when you finish

*berry full of dna teacher resou science classroom* - Sep 22 2023

web teacher resources berry full of dna overview this dna extraction results in beautiful white spoolable dna it is so easy and there is almost no way for students to make a mistake that would affect the results it is so much more effective than extracting dna from any other source

**berry full of dna berry full of dna question what course** - Sep 10 2022

web yes because the dna in our body is clumped up like the strawberry s and if we stretch it all out it would have the ability to reach very far making 70 trips to the sun and back if we were to stretch the glob of strawberry dna then it could create a

very long strand of dna want to read all 4 pages

*berry full of dna answers secure4 khronos* - Mar 04 2022

web jun 19 2023 merely said the berry full of dna answers is globally congruent with any devices to download we reimburse for berry full of dna answers and countless books compilations from fictions to scientific investigationh in any way

*berry full of dna pre lab answers weebly* - Apr 05 2022

web yes repase mushing up strabary to sturing spit vicoriously will the dna be the same in any cell of the human body hint remember that each person starts as one cell a fertilized egg yes except for the germs of ceils if you wanted to extract dna from a living person what cells would you use and why chak cells they are non invasive to get

*berry full of dna worksheet johnny mondragon pdf name* - Dec 13 2022

web name period berry full of dna exploring properties of strawberry dna answer the following questions 1 match the following lab steps effects on strawberry cells a mash the fruit b filter the strawberry extract c add detergent solution d

**berry full of dna new york science teacher studylib net** - Jun 19 2023

web berry full of dna exploring properties of strawberry dna purpose to extract dna from a strawberry plant overview in this investigation you will break open strawberry cells prepare a filtered extract containing strawberry dna and separate out molecules of dna in a

**berry full of dna st elmo brady** - May 18 2023

web berry full of dna question lab overview background materials berry full of dna exploring properties of strawberry dna what properties of dna can be observed in a test tube in this investigation you will break open strawberry cells prepare a filtered extract containing strawberry dna and separate out molecules of dna in a test tube

*solution berry full of dna studypool* - Oct 11 2022

web 1 read the objective background and procedure section of the lab the native british wild strawberry is a diploid it has two sets of

**wireman theory gujarati pdf support ortax org** - Oct 10 2022

web wireman theory gujarati pdf pages 2 26 wireman theory gujarati pdf upload mita y robertson 2 26 downloaded from support ortax org on september 4 2023 by mita y robertson presents basic principles equipment standards and safety regulations allowing electrical workers to avoid costly errors diagnose and repair power failures and ensure

**iti wireman theory 2nd year mock test mcq ncvf online** - Jan 13 2023

web iti wireman theory 2nd year nimi question mock test is here in this online test important questions from all the topics of wireman trade theory have been included which is useful for the preparation of various exams as well as cbt exams

**free wireman theory gujarati** - Oct 22 2023

web wireman theory gujarati critical discourse in gujarati jun 29 2022 this volume forms part of the critical discourses in south asia series which deals with schools movements and discursive practices in major south asian languages it offers crucial insights into the making of gujarati literature and its critical tradition across a century

[wireman theory gujarati implantes odontocompany com](#) - May 05 2022

web 2 wireman theory gujarati 2022 04 04 chapter 12 cables chapter 13 switchgear chapter 14 power transformers chapter 15 substation and overhead line foundations chapter 16 overhead line routing chapter 17 structures towers and poles chapter 18 overhead line conductor and technical specifications chapter 19

**wireman definition meaning merriam webster** - Apr 04 2022

web the meaning of wireman is a maker of or worker with wire especially lineman

[wireman theory gujarati pdf full pdf algoritmi pybossa](#) - Nov 11 2022

web introduction wireman theory gujarati pdf full pdf ncc r k gupta 2020 10 the present book on ncc is published for the benefit of all the cadets of national cadet corps

**electrical theories in gujarati esource svb com** - May 17 2023

web wireman theory gujarati electrical theories in gujarati backpacker com br electrical theories in gujarati electrical theories in gujarati basic electrical theory understanding electricity electrical theories in gujarati electrical theories in gujarati electrical theories in gujarati vitaliti integ ro electrical power transmission and

**iti wireman trade theory 1st year mock test mcq ncvt** - Jun 18 2023

web iti wireman trade theory 1st year mock test mcq under iti cts two year trade wireman theory 1st year nimi question mock test is here in this online test important questions from all the topics of wireman trade theory have been included which is useful for the preparation of various exams as well as cbt exams

**competency based curriculum wireman dgt** - Feb 14 2023

web wireman 4 2 3 course structure table below depicts the distribution of training hours across various course elements during a period of two years s no course element notional training hours 1 professional skill trade practical 2131 2 professional knowledge trade theory 498 3 workshop calculation science 166

**1 iti wireman theory model question paper 1st year youtube** - Jul 19 2023

web dg education dgeducation dg educationin this video gopal rathod brings you about iti wireman theory first year 25 mcq with answers in gujarati language a

[iti wireman trade full information in gujarati youtube](#) - Sep 21 2023

web aug 1 2021 [bappa classes youtube channel](#) [iti wireman trade](#) video [iti wireman trade](#)

**wireman mcq lesson 4 basic wiring practice mcq iti** - Apr 16 2023

web apr 24 2022 wireman theory wm theory mcq wm imp wm imp cbt wireman mcq lesson 4 basic wiring practice mcq iti mcq wm cbt mcq wm mcq in gujarati wm theory mcq

**wireman theory cbt exam paper solution in gujarati** - Aug 20 2023

web jul 6 2022 2 3k views 11 months ago paper solution 1st year 2021 2022 wireman theory cbt exam paper solution in gujarati english iti wireman cbt paper iti cbt paper important video

**wireman book in gujarati pdf ebook and manual free download** - Mar 03 2022

web you can download pdf versions of the user s guide manuals and ebooks about wireman book in gujarati you can also find and download for free a free online manual notices with beginner and intermediate downloads documentation you can download pdf files or doc and ppt about wireman book in gujarati for free but please respect copyrighted

**wiremantheorygujarati** - Jun 06 2022

web fitter trade theory jun 10 2023 an integrated course in electrical engineering 3rd edition feb 06 2023 electrical engineering aug 20 2021 sai baba jul 19 2021 this account relates some of the achievements of satya sai baba his followers believe him to be the reincarnation of sai baba of shirdi who died in 1918

**wireman mcq workshop safety practice and hand tools mcq iti youtube** - Mar 15 2023

web wireman mcq workshop safety practice and hand tools mcq iti mcq wm cbt mcq wm most imp question wireman mcq in gujarati trade theory mcq lesson 1 works

**w i r e m a n dgt** - Dec 12 2022

web wireman duration six months first semester semester code wm sem i week no trade practical trade theory 1 implementation in the shop floor of the various safety measures visit to the different sections of the institute demonstration on elementary first aid artificial respiration practice on use of fire extinguishers

wireman theory gujarati orientation sutd edu sg - Sep 09 2022

web june 5th 2018 wireman theory gujarati pdf free download here wireman theory gujarati keywords wireman theory gujarati created date 11 3 2014 8 17 31 pm gujarati shorthand dictation by c m panchal karybag com june 16th 2018 gujarati shorthand dictation by c m panchal electrician trade theory by r p

**wireman theory gujarati video paydayhcm com** - Aug 08 2022

web 2 wireman theory gujarati 2022 08 07 fast paced science examines a broad spectrum of topics such as atomic structure kirchhoff s laws energy power introductory circuit analysis techniques thevenin s theorem the maximum power transfer theorem electric circuit analysis magnetism

**wireman iti course details 2023 fees salary syllabus** - Jul 07 2022

web feb 25 2023 wireman theory i ii year by priti goyal wireman practical i ii year by vinod kumar and priti goyal electrician

wireman new pattern nsqf level 5 by s k jain and amit aggarwal iti wireman jobs the wireman is a job oriented trade which offers a lot of job opportunities if you complete this course

**mes recettes bonne humeur recettesmania** - May 06 2022

web mes recettes bonne humeur si la cuisine de luana belmondo est tellement savoureuse c est grâce à son premier ingrédient

*mes recettes bonne humeur luana belmondo le cherche midi* - Aug 21 2023

web mes recettes bonne humeur est d un format facile à manier avec une mise en page très réussie de jolis dessins et de belles photos des plats et de repas en famille avec son mari paul leurs trois fils et son beau père jean paul qui donnent un aspect plus personnel à son livre très agréable à feuilleter

**mes recettes bonne humeur pdf cyberlab sutd edu sg** - Oct 11 2022

web mes recettes bonne humeur les essentiels de léonille jun 20 2021 dans ce livre de recettes léonille wallon vous propose un moment de partage de goûts de saveurs de savoir faire pour votre plaisir gustatif et celui de vos proches elle a sélectionné un condensé de ses recettes préférées

**mes recettes bonne humeur luana belmondo google books** - Feb 15 2023

web dans ce nouveau volume luana ouvre les portes de sa maison et nous livre les secrets de ses recettes gorgées d énergie et d authenticité qui font le régal de ses hôtes ainsi le dimanche elle organise des fêtes de famille à la luana que son beau père jean paul et son fidèle ami charles gérard ne manqueraient pour rien au monde

**mes recettes bonne humeur par luana belmondo** - Jun 19 2023

web nov 1 2016 luana belmondo apporte son sourire en cuisine et sa bonne humeur en signant là son deuxième ouvrage de recettes apres À table avec luana et je viens cuisiner chez vous lunaa belmondo signe là un ouvrage empli d émotion et de générosité à l image de la cuisinière qu elle incarne

**mes recettes bonne humeur luana belmondo cultura** - Apr 05 2022

web mes recettes bonne humeur par luana belmondo aux éditions cherche midi si la cuisine de luana belmondo est tellement savoureuse c est grâce à son premier ingrédient qui est aussi le plus précieux la bonne humeur qu elle érige

**mes recettes bonne humeur broché luana belmondo fnac** - Dec 13 2022

web oct 20 2016 mes recettes bonne humeur 4 5 8 avis feuilleter format broché broché 24 ebook epub 20 99 résumé voir tout si la cuisine de luana belmondo est tellement savoureuse c est grâce à son premier ingrédient qui est aussi le plus précieux la bonne humeur qu elle érige en art de vivre

**10 aliments qui mettent de bonne humeur gourmand** - Sep 10 2022

web découvrez 10 aliments qui vont vous booster et vous mettre de bonne humeur ces produits sont parfaits pour soigner les

petites baisses de moral

*ma cuisine simple et bon marché luana belmondo lisez* - Jun 07 2022

web elle place la convivialité le partage et la bonne humeur au centre de sa table pour une cuisine franche simple et décomplexée ma cuisine simple et bon marché est son cinquième livre après italia mia À table avec luana je viens cuisiner chez vous et mes recettes bonne humeur

**10 recettes pour mettre de la bonne humeur dans son assiette** - Oct 23 2023

web découvrez dix recettes gourmandes et imprégnées de gaieté pensées par luana belmondo et tirées de son livre mes recettes bonne humeur À lire aussi dhal de lentilles blondes au lait de coco

**mes recettes bonne humeur beaux livres french edition** - Aug 09 2022

web oct 27 2016 amazon com mes recettes bonne humeur beaux livres french edition ebook belmondo luana kindle store

10 super aliments pour l humeur sun life - Nov 12 2022

web mar 23 2017 5 les oranges elles sont une bonne source d acide folique une vitamine du groupe b qui joue un rôle sur l humeur l acide folique contribue à la formation de la sérotonine qui est une hormone calmante souvent appelée l hormone du bonheur dit louise thibault les aliments riches en acide folique entraînent une sensation de

**mes recettes bonne humeur by luana belmondo google play** - Jan 14 2023

web mes recettes bonne humeur ebook written by luana belmondo read this book using google play books app on your pc android ios devices download for offline reading highlight bookmark or take notes while you read mes recettes bonne humeur

*mes recettes bonne humeur luana belmondo babelio* - Sep 22 2023

web oct 20 2016 mes recettes bonne humeur est d un format facile à manier avec une mise en page très réussie de jolis dessins et de belles photos des plats et de repas en famille avec son mari paul leurs trois fils et son beau père jean paul qui donnent un aspect plus personnel à son livre très agréable à feuilleter

**mes recettes bonne humeur luana belmondo cultura** - Jul 08 2022

web mes recettes bonne humeur par luana belmondo aux éditions recherche midi si la cuisine de luana belmondo est tellement savoureuse c est grâce à son premier ingrédient qui est aussi le plus précieux la bonne humeur qu elle

mes recettes bonne humeur belmondo luana amazon fr - Apr 17 2023

web amazon fr mes recettes bonne humeur belmondo luana livres livres cuisine et vins beaux livres neuf 24 00 tous les prix incluent la tva retours gratuits livraison à 0 01 mardi 11 juillet détails ou livraison accélérée demain 6 juillet commandez dans les 8 h 46 min détails entrez votre adresse

**5 recettes pour garder sa bonne humeur femme actuelle le mag** - Mar 16 2023

web jun 17 2011 5 recettes pour garder sa bonne humeur 1 carottes et radis noir aux agrumes ingrédients 600 g de carottes

1 radis noir 1 orange non traitée ½ pomelo ½ 2 salade de thon aux pommes ingrédients 2 boîtes de 100 g de thon au naturel  
3 granny smith 150 g de fromage blanc 3 noix de

**les recettes de la bonne humeur le point** - Jul 20 2023

web les recettes de la bonne humeur 1 la déprime la vodka et l anisette par pauline tissot vidÉo notre cerveau est une véritable machine à bonne humeur le professeur michel lejoyeux vous

**3 idées recettes géniales pour recycler les écorces de** - Mar 04 2022

web 6 hours ago baissez le feu et laissez frémir 40 min Égouttez les et déposez les dans une casserole avec le même poids de sucre et le même poids d eau laissez frémir à découvert 40 min puis faites les sécher sur une grille conservez les écorces confites dans des boîtes hermétiques et opaques alors la prochaine fois que vous éplucherez une

*mes recettes bonne humeur de luana belmondo kiss my chef* - May 18 2023

web mes recettes bonne humeur est le 3ème livre de luana belmondo de son italie natale elle a conservé toute la richesse de sa cuisine qu elle revisite au quotidien et adapte selon sa bonne humeur une cuisine de tous les jours inventive savoureuse facile et colorée qui fait le régal de l entourage de luana belmondo