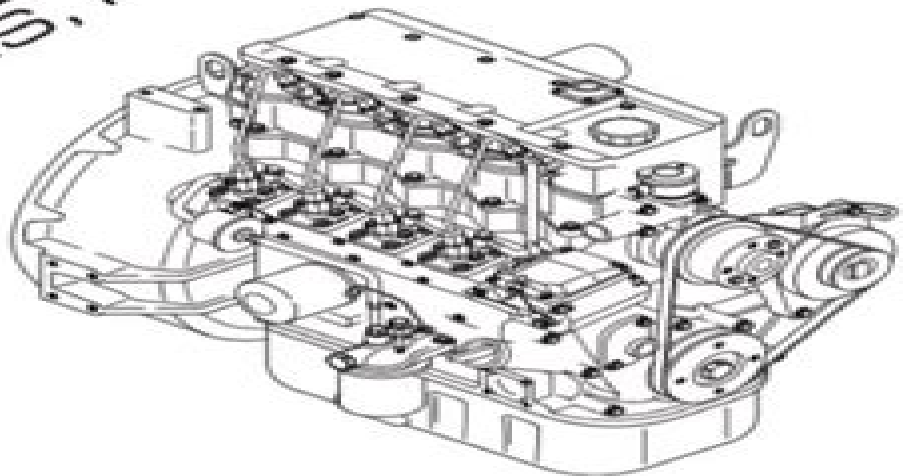


0D9255

GENERAC[®]
POWER SYSTEMS, INC.



2.2 LITER
DIESEL

ISUZU

***ENGINE
PARTS
MANUAL***

Isuzu 70 Engine Repair Manual Marine

L Reisser



Isuzu 70 Engine Repair Manual Marine:

Embark on a breathtaking journey through nature and adventure with is mesmerizing ebook, **Isuzu 70 Engine Repair Manual Marine** . This immersive experience, available for download in a PDF format (PDF Size: *), transports you to the heart of natural marvels and thrilling escapades. Download now and let the adventure begin!

https://staging.conocer.cide.edu/public/publication/HomePages/ib_spanish_exam_2013_paper_1.pdf

Table of Contents Isuzu 70 Engine Repair Manual Marine

1. Understanding the eBook Isuzu 70 Engine Repair Manual Marine
 - The Rise of Digital Reading Isuzu 70 Engine Repair Manual Marine
 - Advantages of eBooks Over Traditional Books
2. Identifying Isuzu 70 Engine Repair Manual Marine
 - Exploring Different Genres
 - Considering Fiction vs. Non-Fiction
 - Determining Your Reading Goals
3. Choosing the Right eBook Platform
 - Popular eBook Platforms
 - Features to Look for in an Isuzu 70 Engine Repair Manual Marine
 - User-Friendly Interface
4. Exploring eBook Recommendations from Isuzu 70 Engine Repair Manual Marine
 - Personalized Recommendations
 - Isuzu 70 Engine Repair Manual Marine User Reviews and Ratings
 - Isuzu 70 Engine Repair Manual Marine and Bestseller Lists
5. Accessing Isuzu 70 Engine Repair Manual Marine Free and Paid eBooks
 - Isuzu 70 Engine Repair Manual Marine Public Domain eBooks
 - Isuzu 70 Engine Repair Manual Marine eBook Subscription Services
 - Isuzu 70 Engine Repair Manual Marine Budget-Friendly Options
6. Navigating Isuzu 70 Engine Repair Manual Marine eBook Formats

- ePub, PDF, MOBI, and More
 - Isuzu 70 Engine Repair Manual Marine Compatibility with Devices
 - Isuzu 70 Engine Repair Manual Marine Enhanced eBook Features
7. Enhancing Your Reading Experience
 - Adjustable Fonts and Text Sizes of Isuzu 70 Engine Repair Manual Marine
 - Highlighting and Note-Taking Isuzu 70 Engine Repair Manual Marine
 - Interactive Elements Isuzu 70 Engine Repair Manual Marine
 8. Staying Engaged with Isuzu 70 Engine Repair Manual Marine
 - Joining Online Reading Communities
 - Participating in Virtual Book Clubs
 - Following Authors and Publishers Isuzu 70 Engine Repair Manual Marine
 9. Balancing eBooks and Physical Books Isuzu 70 Engine Repair Manual Marine
 - Benefits of a Digital Library
 - Creating a Diverse Reading Collection Isuzu 70 Engine Repair Manual Marine
 10. Overcoming Reading Challenges
 - Dealing with Digital Eye Strain
 - Minimizing Distractions
 - Managing Screen Time
 11. Cultivating a Reading Routine Isuzu 70 Engine Repair Manual Marine
 - Setting Reading Goals Isuzu 70 Engine Repair Manual Marine
 - Carving Out Dedicated Reading Time
 12. Sourcing Reliable Information of Isuzu 70 Engine Repair Manual Marine
 - Fact-Checking eBook Content of Isuzu 70 Engine Repair Manual Marine
 - Distinguishing Credible Sources
 13. Promoting Lifelong Learning
 - Utilizing eBooks for Skill Development
 - Exploring Educational eBooks
 14. Embracing eBook Trends
 - Integration of Multimedia Elements
 - Interactive and Gamified eBooks

Isuzu 70 Engine Repair Manual Marine Introduction

In the digital age, access to information has become easier than ever before. The ability to download Isuzu 70 Engine Repair Manual Marine has revolutionized the way we consume written content. Whether you are a student looking for course material, an avid reader searching for your next favorite book, or a professional seeking research papers, the option to download Isuzu 70 Engine Repair Manual Marine has opened up a world of possibilities. Downloading Isuzu 70 Engine Repair Manual Marine provides numerous advantages over physical copies of books and documents. Firstly, it is incredibly convenient. Gone are the days of carrying around heavy textbooks or bulky folders filled with papers. With the click of a button, you can gain immediate access to valuable resources on any device. This convenience allows for efficient studying, researching, and reading on the go. Moreover, the cost-effective nature of downloading Isuzu 70 Engine Repair Manual Marine has democratized knowledge. Traditional books and academic journals can be expensive, making it difficult for individuals with limited financial resources to access information. By offering free PDF downloads, publishers and authors are enabling a wider audience to benefit from their work. This inclusivity promotes equal opportunities for learning and personal growth. There are numerous websites and platforms where individuals can download Isuzu 70 Engine Repair Manual Marine. These websites range from academic databases offering research papers and journals to online libraries with an expansive collection of books from various genres. Many authors and publishers also upload their work to specific websites, granting readers access to their content without any charge. These platforms not only provide access to existing literature but also serve as an excellent platform for undiscovered authors to share their work with the world. However, it is essential to be cautious while downloading Isuzu 70 Engine Repair Manual Marine. Some websites may offer pirated or illegally obtained copies of copyrighted material. Engaging in such activities not only violates copyright laws but also undermines the efforts of authors, publishers, and researchers. To ensure ethical downloading, it is advisable to utilize reputable websites that prioritize the legal distribution of content. When downloading Isuzu 70 Engine Repair Manual Marine, users should also consider the potential security risks associated with online platforms. Malicious actors may exploit vulnerabilities in unprotected websites to distribute malware or steal personal information. To protect themselves, individuals should ensure their devices have reliable antivirus software installed and validate the legitimacy of the websites they are downloading from. In conclusion, the ability to download Isuzu 70 Engine Repair Manual Marine has transformed the way we access information. With the convenience, cost-effectiveness, and accessibility it offers, free PDF downloads have become a popular choice for students, researchers, and book lovers worldwide. However, it is crucial to engage in ethical downloading practices and prioritize personal security when utilizing online platforms. By doing so, individuals can make the most of the vast array of free PDF resources available and embark on a journey of continuous learning and intellectual growth.

FAQs About Isuzu 70 Engine Repair Manual Marine Books

How do I know which eBook platform is the best for me? Finding the best eBook platform depends on your reading preferences and device compatibility. Research different platforms, read user reviews, and explore their features before making a choice. Are free eBooks of good quality? Yes, many reputable platforms offer high-quality free eBooks, including classics and public domain works. However, make sure to verify the source to ensure the eBook credibility. Can I read eBooks without an eReader? Absolutely! Most eBook platforms offer webbased readers or mobile apps that allow you to read eBooks on your computer, tablet, or smartphone. How do I avoid digital eye strain while reading eBooks? To prevent digital eye strain, take regular breaks, adjust the font size and background color, and ensure proper lighting while reading eBooks. What the advantage of interactive eBooks? Interactive eBooks incorporate multimedia elements, quizzes, and activities, enhancing the reader engagement and providing a more immersive learning experience. Isuzu 70 Engine Repair Manual Marine is one of the best book in our library for free trial. We provide copy of Isuzu 70 Engine Repair Manual Marine in digital format, so the resources that you find are reliable. There are also many Ebooks of related with Isuzu 70 Engine Repair Manual Marine. Where to download Isuzu 70 Engine Repair Manual Marine online for free? Are you looking for Isuzu 70 Engine Repair Manual Marine PDF? This is definitely going to save you time and cash in something you should think about. If you trying to find then search around for online. Without a doubt there are numerous these available and many of them have the freedom. However without doubt you receive whatever you purchase. An alternate way to get ideas is always to check another Isuzu 70 Engine Repair Manual Marine. This method for see exactly what may be included and adopt these ideas to your book. This site will almost certainly help you save time and effort, money and stress. If you are looking for free books then you really should consider finding to assist you try this. Several of Isuzu 70 Engine Repair Manual Marine are for sale to free while some are payable. If you arent sure if the books you would like to download works with for usage along with your computer, it is possible to download free trials. The free guides make it easy for someone to free access online library for download books to your device. You can get free download on free trial for lots of books categories. Our library is the biggest of these that have literally hundreds of thousands of different products categories represented. You will also see that there are specific sites catered to different product types or categories, brands or niches related with Isuzu 70 Engine Repair Manual Marine. So depending on what exactly you are searching, you will be able to choose e books to suit your own need. Need to access completely for Campbell Biology Seventh Edition book? Access Ebook without any digging. And by having access to our ebook online or by storing it on your computer, you have convenient answers with Isuzu 70 Engine Repair Manual Marine To get started finding Isuzu 70 Engine Repair Manual Marine, you are right to find our website which has a comprehensive collection of books online. Our library is the biggest of these that have literally hundreds of thousands of different products represented. You will also see that there are specific sites catered to different categories or niches related

with Isuzu 70 Engine Repair Manual Marine So depending on what exactly you are searching, you will be able to choose ebook to suit your own need. Thank you for reading Isuzu 70 Engine Repair Manual Marine. Maybe you have knowledge that, people have search numerous times for their favorite readings like this Isuzu 70 Engine Repair Manual Marine, but end up in harmful downloads. Rather than reading a good book with a cup of coffee in the afternoon, instead they juggled with some harmful bugs inside their laptop. Isuzu 70 Engine Repair Manual Marine is available in our book collection an online access to it is set as public so you can download it instantly. Our digital library spans in multiple locations, allowing you to get the most less latency time to download any of our books like this one. Merely said, Isuzu 70 Engine Repair Manual Marine is universally compatible with any devices to read.

Find Isuzu 70 Engine Repair Manual Marine :

ib spanish exam 2013 paper 1

[ibooks author the definitive guide trailer park inc](#)

ib math sl nov 20papers

ibanez ta20 manual

[ib spanish b hl 2002](#)

ib math hl past paper 2012

[ibm sametime 8 5 2 administration guide scott marie 1](#)

ib questions option e environmental chemistry 143

[ib psychology paper 2 sample](#)

[ibm manual iseries](#)

icao doc 9137 chapter 2

[ibps po exam 2011 question paper with answers](#)

icd 9 cm coding guidelines

[ieb past exam papers sa](#)

ibm 6781 typewriter manual

Isuzu 70 Engine Repair Manual Marine :

reconstructing amelia a novel kimberly mcreight google - May 17 2023

web apr 2 2013 reconstructing amelia a novel kimberly mcreight harper collins apr 2 2013 fiction 400 pages new york

times bestseller like gone girl reconstructing amelia seamlessly marries a

reconstructing amelia a novel by kimberly mcreight - Mar 15 2023

web dec 3 2013 the stunning debut novel from kimberly mcreight in which a single mother reconstructs her teenaged daughter amelia s tragic death sifting through her emails texts and social media to piece together the shocking truth about the last days of her life

reconstructing amelia by kimberly mcreight publishers weekly - May 05 2022

web reconstructing amelia kimberly mcreight harper 25 99 384p isbn 978 0 06 222543 6 after her teenage daughter amelia s mysterious suicide litigation attorney kate baron becomes an

reconstructing amelia by kimberly mcreight ebook - Apr 04 2022

web the stunning debut novel from kimberly mcreight in which a single mother reconstructs her teenaged daughter amelia s tragic death sifting through her emails texts and social media to piece together the shocking truth about the last days of her life

reconstructing amelia by kimberly mcreight goodreads - Oct 22 2023

web apr 2 2013 goodreads choice award nominee for best mystery thriller 2013 in reconstructing amelia the stunning debut novel from kimberly mcreight kate s in the middle of the biggest meeting of her career when she gets the telephone call from grace hall her daughter s exclusive private school in park slope brooklyn

reconstructing amelia wikipedia - Jun 18 2023

web reconstructing amelia is the 2013 debut novel of american author kimberly mcreight it was first published in hardback in the united states on april 2 2013 through harper and received a paperback release on december 3 of the same year

reconstructing amelia amazon co uk kimberly mcreight - Sep 09 2022

web reconstructing amelia paperback 20 jun 2013 by kimberly mcreight author 13 379 ratings see all formats and editions kindle edition 4 99 read with our free app audiobook 0 00 free with your audible trial hardcover 4 02 other new used and collectible from 4 02 paperback 7 99 other new and used from 1 23 audio cd

reconstructing amelia mcreight kimberly amazon com au - Jan 13 2023

web kimberly mcreight is the new york times bestselling author of reconstructing amelia where they found her a good marriage and the outliers a young adult trilogy she s been nominated for the edgar anthony and alex awards and her books have been translated into more than twenty languages

kimberly mcreight wikipedia - Dec 12 2022

web her debut novel reconstructing amelia 1 was a new york times bestseller that was nominated for the edgar anthony and alex awards it was also named entertainment weekly s favorite book of the year reconstructing amelia has been optioned for

tv by hbo and blossom films

reconstructing amelia a novel by kimberly mcreight google play - Feb 14 2023

web reconstructing amelia a novel kimberly mcreight apr 2013 sold by harper collins 4 2 star 347 reviews ebook 400 pages

family home eligible info 11 49 ebook free sample switch to the

reconstructing amelia a novel kindle edition by mcreight kimberly - Nov 11 2022

web apr 2 2013 new york times bestseller like gone girl reconstructing amelia seamlessly marries a crime story with a relationship drama and like gone girl it should be hailed as one of the best books of the year entertainment weekly

reconstructing amelia kimberly mcreight - Jul 19 2023

web reconstructing amelia is a brilliantly plotted and beautifully written literary suspense as enthralling as it is moving with remarkable insight and sensitivity mcreight explores the complexities of what it means to be both a mother and a daughter in this confusing often terrifying age of social media and in the process tells a

reconstructing amelia a novel by mcreight kimberly - Sep 21 2023

web dec 3 2013 reconstructing amelia by kimberly mcreight was a compelling illustration of this point with a story that kept me engaged from the beginning to the end and like kate wanting to know the truth about amelia mcreight s book was well written with an interesting mix of suspense drama and mystery

reconstructing amelia by kimberly mcreight audible com - Jul 07 2022

web reconstructing amelia is a stunning debut pause resistor that brilliantly explores the secret world of teenagers their clandestine first loves hidden friendships and the dangerous cruelty that can spill over into acts of terrible betrayal

[reconstructing amelia summary supersummary](#) - Mar 03 2022

web reconstructing amelia is kimberly mcreight s debut novel published in 2013 the novel has recently been optioned for a hollywood film the story is told from three points of view amelia baron who is fifteen her single mother kate and an anonymous blog

kimberly mcreight author of reconstructing amelia goodreads - Aug 20 2023

web mar 2 2023 kimberly mcreight is the new york times bestselling author of several literary thrillers including reconstructing amelia a good marriage and friends like these her next book like mother like daughter knopf is forthcoming in summer 2024

reconstructing amelia a book by kimberly mcreight bookshop - Oct 10 2022

web the stunning debut novel from kimberly mcreight in which a single mother reconstructs her teenaged daughter amelia s tragic death sifting through her emails texts and social media to piece together the shocking truth about the last days of her life

[reconstructing amelia a novel mccreight kimberly](#) - Jun 06 2022

web dec 3 2013 reconstructing amelia by kimberly mccreight was a compelling illustration of this point with a story that kept me engaged from the beginning to the end and like kate wanting to know the truth about amelia mccreight s book was well written with an interesting mix of suspense drama and mystery

reconstructing amelia by kimberly mccreight audible com - Aug 08 2022

web reconstructing amelia as it s meant to be heard narrated by kate harper jane collingwood jamie parker harper marshall discover the english audiobook at audible free trial available

reconstructing amelia a novel kimberly mccreight google - Apr 16 2023

web apr 2 2013 reconstructing amelia a novel kimberly mccreight harpercollins apr 2 2013 fiction 382 pages when kate single mother and law firm partner gets an urgent phone call summoning her to

[motherfocloir dispatches from a not so dead language paperback](#) - Jan 27 2022

motherfocloir dispatches from a not so dead language - Aug 02 2022

web aug 2 2023 5 5 an incredibly enlightening and accessible read o séaghdha ties in the linguistic richness of the irish language with the culture it pertains to and explains

motherfoclóir dispatches from a not so dead language darach - Jul 13 2023

web motherfoclóir dispatches from a not so dead language darach o séaghdha amazon com tr kitap

motherfoclóir dispatches from theirishfor - Mar 29 2022

web motherfoclóir dispatches from a not so dead language darach Ó séaghdha 240 pages first pub 2017 isbn uid none format not specified language english publisher

motherfoclóir dispatches from a not so dead language uk - Apr 29 2022

web description motherfocloir focloir means dictionary and is pronounced like a rather more vulgar english epithet is a book based on the popular twitter account theirishfor as

motherfoclóir dispatches from a not so dead language darach o - Nov 05 2022

web motherfoclóir focloir means dictionary and is pronounced like a rather more vulgar english epithet is a book based on the popular twitter account theirishfor as the title

motherfoclóir dispatches from a not so dead language by - Dec 26 2021

[motherfoclóir dispatches from a not so dead language google](#) - Apr 10 2023

web buy motherfoclóir dispatches from a not so dead language uk ed by o séaghdha darach isbn 9781786691873 from

amazon s book store everyday low prices and

motherfoclóir dispatches from a not so dead language - Mar 09 2023

web this is a playground of language as the author says meditations on the meanings of irish names the strange spellings the lost words that have faded from use and those words

motherfoclóir dispatches from a not so dead language - Sep 03 2022

web motherfoclóir dispatches from a not so dead language bestseller winner of the popular non fiction irish book award thought provoking irreverent and often laugh out

motherfoclóir dispatches from a not so dead language - May 11 2023

web sep 7 2017 motherfoclóir dispatches from a not so dead language darach o séaghdha head of zeus sep 7 2017 language arts disciplines 240 pages 0

motherfoclóir dispatches from a not so dead language darach o - Aug 14 2023

web as the title suggests motherfoclóir takes an irreverent pun friendly and contemporary approach to the irish language the translations are expanded on and arranged into

loading interface goodreads - Nov 24 2021

motherfoclóir dispatches from a not so dead - Oct 24 2021

jack walsh s review of motherfoclóir dispatches from a not so - May 31 2022

web buy motherfoclóir dispatches from a not so dead language by darach o seaghdha online at alibris we have new and used copies available in 1 editions starting at

motherfoclóir dispatches from a not so dead language ebook o - Jul 01 2022

web nov 1 2018 description motherfoclóir focloir means dictionary and is pronounced like a rather more vulgar english epithet is a book based on the popular twitter account

motherfoclóir dispatches from a not so dead language alibris - Feb 25 2022

web discover and share books you love on goodreads

motherfoclóir google podcasts - Dec 06 2022

web as the title suggests motherfoclóir takes an irreverent pun friendly and contemporary approach to the irish language the translations are expanded on and arranged into

motherfoclóir on apple podcasts - Oct 04 2022

web the book tell s darach s own story of his involvement of the language and what it means to him and also shows through

his numerous examples of words phrases and proverbs

motherfoclóir dispatches from a not so dead language - Feb 08 2023

web this is a playground of language as the author says meditations on the meanings of irish names the strange spellings the lost words that have faded from use and those words

motherfoclóir dispatches from a not so dead language - Jan 07 2023

web aug 24 2021 darach Ó séaghdha s first book motherfoclóir dispatches from a not so dead language was the winner of the popular non fiction award at the 2017 irish

motherfoclóir dispatches from a not so dead language - Jun 12 2023

web jan 1 2017 motherfoclóir dispatches from a not so dead language darach Ó séaghdha 4 13 730 ratings100 reviews want to read kindle 7 99 rate this book

difference between superstorm and hurricane - Jan 04 2022

synonyms for superstorm include tempest storm cyclone gale hurricane squall typhoon tornado whirlwind and windstorm find more similar words at wordhippo com

super storms journeys 2nd grade supplemental activities - Dec 15 2022

results for super storms vocabulary 592 results sort by relevance view list super storms comprehension vocabulary test journeys by miss zees activities 4 9 28 1 50 pdf

results for super storms tpt - Oct 13 2022

2nd grade spelling journeys super storms super storms spelling 1 journeys lesson 15 officer buckle and gloria spelling

super storms journeys ar read aloud second grade - Sep 24 2023

nov 1 2020 listen along as mrs morris reads super storms from the journey s series second grade lesson 8 check out my merch shop my store 10084545 crea

superstorm wikipedia - Feb 05 2022

the storm originated as a low pressure system over the north atlantic between northwest scotland and iceland it also led to the final destruction of the braer an oil tanker that had

superstorm sandy students britannica kids homework help - Jun 09 2022

oct 16 2015 1 homework for super storms october 12 october 16 2015 2 super storms 3 name hurricanes nature s wildest storms 4 second grade super storm 5 name

journeys super storm second grade main idea details tpt - May 20 2023

common core standard ri 4 determine the meaning of words and phrases in a text relevant to a grade 2 topic or subject area technology standard standard 3 technology for learning and

super storms cause and effect teaching resources tpt - Jan 16 2023

super storms journeys 2nd grade supplemental activities 6 50 these activities are for the 2012 hm journeys second grade
super storms unit 2 lesson 8 all of these activities were

super storms vocabulary teaching resources tpt - Nov 14 2022

932 results sort by relevance view list super storms supplement materials aligned with journeys 2nd grade created by emily
education highly engaging supplemental activities

super storms journeys 2nd grade tpt - Feb 17 2023

this story super storms written by seymour simon is found in most 2nd grade reading books and in individual print bound
books in most elementary classroom libraries this twenty three

super storm worksheets learny kids - May 08 2022

2nd grade super storms vocabulary nicole roberston 85 plays 8 questions copy edit live session assign show answers see
preview multiple choice 30 seconds 1 pt

grade 2 short stories comprehension super storms - Aug 23 2023

4th super storms unit 2 lesson 8 journeys comprehension quiz for 2nd grade students find other quizzes for english and more
on quizizz for free

what is another word for superstorm wordhippo - Dec 03 2021

lesson 8 super storms comprehension skills test quiz for 2nd grade students find other quizzes for english and more on
quizizz for free

journeys 2nd grade lesson 8 super storms flashcards - Aug 11 2022

2nd grade journeys superstorms comprehension deleted user 181 plays 10 questions copy edit live session assign show
answers see preview multiple choice 5 minutes 1

grade 2 unit 6 media aacps org - Apr 19 2023

super storms journeys unit 2 lesson 8 second grade supplement activities common core aligned pg 3 it s raining spelling
words unscramble the spelling words on the clouds cut

journeys super storms worksheets teaching - Mar 18 2023

browse super storms journeys 2nd grade resources on teachers pay teachers a marketplace trusted by millions of teachers
for original educational resources

lesson 8 super storms comprehension skills test quizizz - Nov 02 2021

super storms vocabulary 85 plays quizizz - Apr 07 2022

1 practice book o 2 prepare for the storm worksheet 3 super phonics 2 loading 4 weathering the storm 5 name hurricanes nature s wildest storms 6 second grade

2nd grade super storms comprehension flashcards quizlet - Jun 21 2023

here you will find many supplemental activities to use with journey s 2nd grade super storms they are common core aligned this includes vocabulary compound words high frequency

g2 spelling journeys super storms teaching resources wordwall - Sep 12 2022

oct 22 2023 1 8 flashcards learn test match q chat created by t leblancteacher share terms in this set 8 beware to be very careful and alert damage to harm or hurt

super storm second grade worksheets k12 workbook - Mar 06 2022

origin and usage before the early 1990s the phrases storm of the century or perfect storm were generally used to describe unusually large or destructive storms the term superstorm

journeys superstorms comprehension 181 plays quizizz - Jul 10 2022

superstorm sandy was among the most costly natural disasters in u s history the storm began on october 19 as a tropical wave a trough of low pressure in the warm waters of the tropical

super storms unit 2 lesson 8 journeys comprehension - Jul 22 2023

waves wash away boats rain floods the storm is called a blizzard when it brings low temperatures strong winds heavy snow study with quizlet and