

NOTE:
Please read all instructions
carefully before using this
product

Table of Contents

Safety Notice

Hardware Identifier

Assembly Instruction

Parts List

Warranty

Ordering Parts

Model
IGS-412

Retain This
Manual for
Reference

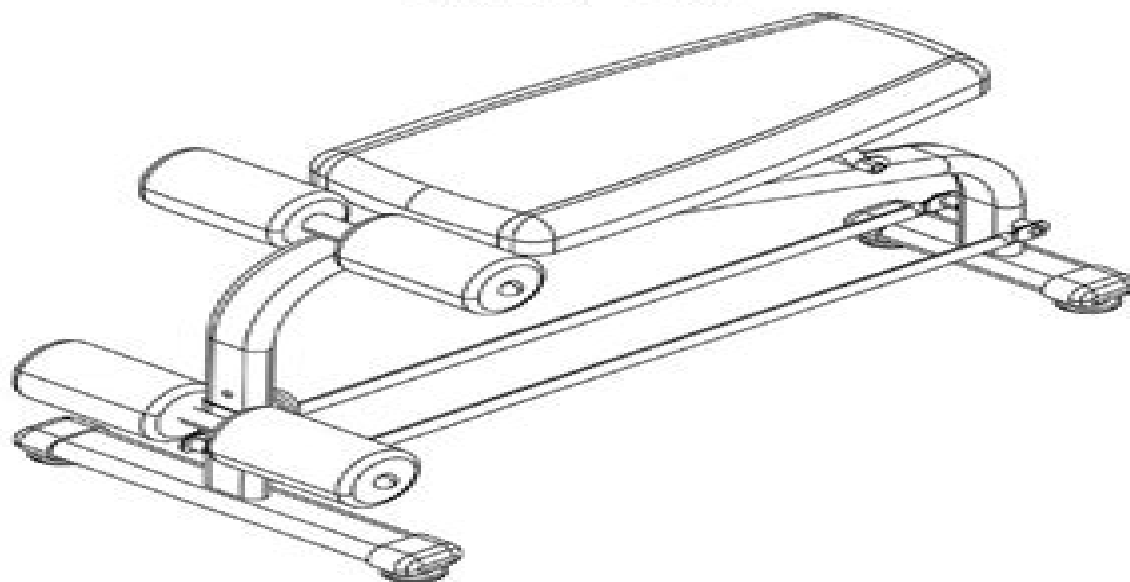
06-12-08

OWNER'S
MANUAL

IMPEX

IRON GRIP STRENGTH DELUXE CRUNCH BOARD

IGS-412



IMPEX INC.

14777 DON JULIAN RD., CITY OF INDUSTRY, CA 91746

Tel: (800) 999-8899 Fax: (626) 961-9966

www.impex-fitness.com

info@impex-fitness.com

Iron Grip Strength Igs Manual

LP Steffe



Iron Grip Strength Igs Manual:

This is likewise one of the factors by obtaining the soft documents of this **Iron Grip Strength Igs Manual** by online. You might not require more epoch to spend to go to the book launch as well as search for them. In some cases, you likewise get not discover the revelation Iron Grip Strength Igs Manual that you are looking for. It will entirely squander the time.

However below, subsequent to you visit this web page, it will be as a result totally simple to get as competently as download lead Iron Grip Strength Igs Manual

It will not take many period as we run by before. You can reach it though feat something else at home and even in your workplace. appropriately easy! So, are you question? Just exercise just what we present below as well as evaluation **Iron Grip Strength Igs Manual** what you next to read!

https://staging.conocer.cide.edu/results/virtual-library/Documents/george_harrison_yesterday_and_today.pdf

Table of Contents Iron Grip Strength Igs Manual

1. Understanding the eBook Iron Grip Strength Igs Manual
 - The Rise of Digital Reading Iron Grip Strength Igs Manual
 - Advantages of eBooks Over Traditional Books
2. Identifying Iron Grip Strength Igs Manual
 - Exploring Different Genres
 - Considering Fiction vs. Non-Fiction
 - Determining Your Reading Goals
3. Choosing the Right eBook Platform
 - Popular eBook Platforms
 - Features to Look for in an Iron Grip Strength Igs Manual
 - User-Friendly Interface
4. Exploring eBook Recommendations from Iron Grip Strength Igs Manual
 - Personalized Recommendations

- Iron Grip Strength Igs Manual User Reviews and Ratings
- Iron Grip Strength Igs Manual and Bestseller Lists
- 5. Accessing Iron Grip Strength Igs Manual Free and Paid eBooks
 - Iron Grip Strength Igs Manual Public Domain eBooks
 - Iron Grip Strength Igs Manual eBook Subscription Services
 - Iron Grip Strength Igs Manual Budget-Friendly Options
- 6. Navigating Iron Grip Strength Igs Manual eBook Formats
 - ePub, PDF, MOBI, and More
 - Iron Grip Strength Igs Manual Compatibility with Devices
 - Iron Grip Strength Igs Manual Enhanced eBook Features
- 7. Enhancing Your Reading Experience
 - Adjustable Fonts and Text Sizes of Iron Grip Strength Igs Manual
 - Highlighting and Note-Taking Iron Grip Strength Igs Manual
 - Interactive Elements Iron Grip Strength Igs Manual
- 8. Staying Engaged with Iron Grip Strength Igs Manual
 - Joining Online Reading Communities
 - Participating in Virtual Book Clubs
 - Following Authors and Publishers Iron Grip Strength Igs Manual
- 9. Balancing eBooks and Physical Books Iron Grip Strength Igs Manual
 - Benefits of a Digital Library
 - Creating a Diverse Reading Collection Iron Grip Strength Igs Manual
- 10. Overcoming Reading Challenges
 - Dealing with Digital Eye Strain
 - Minimizing Distractions
 - Managing Screen Time
- 11. Cultivating a Reading Routine Iron Grip Strength Igs Manual
 - Setting Reading Goals Iron Grip Strength Igs Manual
 - Carving Out Dedicated Reading Time
- 12. Sourcing Reliable Information of Iron Grip Strength Igs Manual
 - Fact-Checking eBook Content of Iron Grip Strength Igs Manual

- Distinguishing Credible Sources
- 13. Promoting Lifelong Learning
 - Utilizing eBooks for Skill Development
 - Exploring Educational eBooks
- 14. Embracing eBook Trends
 - Integration of Multimedia Elements
 - Interactive and Gamified eBooks

Iron Grip Strength Igs Manual Introduction

In the digital age, access to information has become easier than ever before. The ability to download Iron Grip Strength Igs Manual has revolutionized the way we consume written content. Whether you are a student looking for course material, an avid reader searching for your next favorite book, or a professional seeking research papers, the option to download Iron Grip Strength Igs Manual has opened up a world of possibilities. Downloading Iron Grip Strength Igs Manual provides numerous advantages over physical copies of books and documents. Firstly, it is incredibly convenient. Gone are the days of carrying around heavy textbooks or bulky folders filled with papers. With the click of a button, you can gain immediate access to valuable resources on any device. This convenience allows for efficient studying, researching, and reading on the go. Moreover, the cost-effective nature of downloading Iron Grip Strength Igs Manual has democratized knowledge. Traditional books and academic journals can be expensive, making it difficult for individuals with limited financial resources to access information. By offering free PDF downloads, publishers and authors are enabling a wider audience to benefit from their work. This inclusivity promotes equal opportunities for learning and personal growth. There are numerous websites and platforms where individuals can download Iron Grip Strength Igs Manual. These websites range from academic databases offering research papers and journals to online libraries with an expansive collection of books from various genres. Many authors and publishers also upload their work to specific websites, granting readers access to their content without any charge. These platforms not only provide access to existing literature but also serve as an excellent platform for undiscovered authors to share their work with the world. However, it is essential to be cautious while downloading Iron Grip Strength Igs Manual. Some websites may offer pirated or illegally obtained copies of copyrighted material. Engaging in such activities not only violates copyright laws but also undermines the efforts of authors, publishers, and researchers. To ensure ethical downloading, it is advisable to utilize reputable websites that prioritize the legal distribution of content. When downloading Iron Grip Strength Igs Manual, users should also consider the potential security risks associated with online platforms. Malicious actors may exploit vulnerabilities in unprotected websites to distribute malware or steal personal

information. To protect themselves, individuals should ensure their devices have reliable antivirus software installed and validate the legitimacy of the websites they are downloading from. In conclusion, the ability to download Iron Grip Strength Igs Manual has transformed the way we access information. With the convenience, cost-effectiveness, and accessibility it offers, free PDF downloads have become a popular choice for students, researchers, and book lovers worldwide. However, it is crucial to engage in ethical downloading practices and prioritize personal security when utilizing online platforms. By doing so, individuals can make the most of the vast array of free PDF resources available and embark on a journey of continuous learning and intellectual growth.

FAQs About Iron Grip Strength Igs Manual Books

How do I know which eBook platform is the best for me? Finding the best eBook platform depends on your reading preferences and device compatibility. Research different platforms, read user reviews, and explore their features before making a choice. Are free eBooks of good quality? Yes, many reputable platforms offer high-quality free eBooks, including classics and public domain works. However, make sure to verify the source to ensure the eBook credibility. Can I read eBooks without an eReader? Absolutely! Most eBook platforms offer webbased readers or mobile apps that allow you to read eBooks on your computer, tablet, or smartphone. How do I avoid digital eye strain while reading eBooks? To prevent digital eye strain, take regular breaks, adjust the font size and background color, and ensure proper lighting while reading eBooks. What the advantage of interactive eBooks? Interactive eBooks incorporate multimedia elements, quizzes, and activities, enhancing the reader engagement and providing a more immersive learning experience. Iron Grip Strength Igs Manual is one of the best book in our library for free trial. We provide copy of Iron Grip Strength Igs Manual in digital format, so the resources that you find are reliable. There are also many Ebooks of related with Iron Grip Strength Igs Manual. Where to download Iron Grip Strength Igs Manual online for free? Are you looking for Iron Grip Strength Igs Manual PDF? This is definitely going to save you time and cash in something you should think about. If you trying to find then search around for online. Without a doubt there are numerous these available and many of them have the freedom. However without doubt you receive whatever you purchase. An alternate way to get ideas is always to check another Iron Grip Strength Igs Manual. This method for see exactly what may be included and adopt these ideas to your book. This site will almost certainly help you save time and effort, money and stress. If you are looking for free books then you really should consider finding to assist you try this. Several of Iron Grip Strength Igs Manual are for sale to free while some are payable. If you arent sure if the books you would like to download works with for usage along with your computer, it is possible to download free trials. The free guides make it easy for someone to free access online library for download books to your device. You can get free download on free

trial for lots of books categories. Our library is the biggest of these that have literally hundreds of thousands of different products categories represented. You will also see that there are specific sites catered to different product types or categories, brands or niches related with Iron Grip Strength Igs Manual. So depending on what exactly you are searching, you will be able to choose e books to suit your own need. Need to access completely for Campbell Biology Seventh Edition book? Access Ebook without any digging. And by having access to our ebook online or by storing it on your computer, you have convenient answers with Iron Grip Strength Igs Manual To get started finding Iron Grip Strength Igs Manual, you are right to find our website which has a comprehensive collection of books online. Our library is the biggest of these that have literally hundreds of thousands of different products represented. You will also see that there are specific sites catered to different categories or niches related with Iron Grip Strength Igs Manual So depending on what exactly you are searching, you will be able to choose ebook to suit your own need. Thank you for reading Iron Grip Strength Igs Manual. Maybe you have knowledge that, people have search numerous times for their favorite readings like this Iron Grip Strength Igs Manual, but end up in harmful downloads. Rather than reading a good book with a cup of coffee in the afternoon, instead they juggled with some harmful bugs inside their laptop. Iron Grip Strength Igs Manual is available in our book collection an online access to it is set as public so you can download it instantly. Our digital library spans in multiple locations, allowing you to get the most less latency time to download any of our books like this one. Merely said, Iron Grip Strength Igs Manual is universally compatible with any devices to read.

Find Iron Grip Strength Igs Manual :

[george harrison yesterday and today](#)

[george cooke 17931849](#)

[german airborne troops](#)

[georgia okeeffe and new mexico a sense of place](#)

[german and belgian rock climbs](#)

[german universities](#)

germany civilian power and the new europe

[german agriculture in transition society policies and environment in a changing europe](#)

[gerbils an arco-foyles handbook](#)

[german railways european handbook](#)

[george washington young leader](#)

[german miniature revolvers 18901940](#)

german recollections some of my best friends were philosophers
germans and the final solution public opinion under nazism
germany and the united states

Iron Grip Strength Igs Manual :

chemistry for you support pack lawrie ryan google books - May 11 2023

web apr 12 2002 lawrie ryan nelson thornes apr 12 2002 science 374 pages this support pack has been fully revised and updated with additional guidance on developing the new specifications activities

chemistry nelson thornes answers the student room - Apr 29 2022

web chemistry nelson thornes answers watch this thread 13 years ago chemistry nelson thornes answers a futuremedic 13 hey i thought i d post the nelson thornes answers for chemistry because they seem in quite high demand i ve posted the biology ones as well unit 4 chapter 1 pdf 434 7 kb unit 4 chapter 2 pdf 444 5 kb

chemistry for you amazon co uk ryan lawrie - Feb 08 2023

web i find chemistry for you a comprehensive book packed full of well presented information in a variety of forms graphs charts prose bullets points etc the book cuts down on photocopying as there are experimental methods within the text and exam style and past paper questions at the end of every chapter

chemistry for you ryan lawrie free download borrow and - Aug 14 2023

web 2001 topics chemistry chemistry problems exercises etc publisher cheltenham nelson thornes collection inlibrary printdisabled internetarchivebooks contributor internet archive language english 400 pages 25 cm

chemistry for you lawrie ryan google books - Sep 15 2023

web chemistry for you lawrie ryan google books lawrie ryan nelson thornes 2001 chemical equations 400 pages this title is ideal for mixed ability sets or streamed sets where

gcse chemistry aqa nelson thornes answers the - Feb 25 2022

web chemistry nelson thornes answers end of chapter answers should you draw sketches maps or diagrams geography exams aqa as physics a nelson thornes textbook answers gcse psychology at home kerboodle aqa optional topics notes what mark would this be thanks chemistry grade c to a ucas clearing 2023 faq and help

chemistry for you review rsc education - Mar 09 2023

web mar 14 2017 chemistry for you has been updated for the 2016 9 1 gcse chemistry and international specifications having clung on to my 2001 copy as a lifeline to introduce essential chemical concepts throughout my teaching career i welcome the 5 th edition with open arms from the engaging and entertaining cover onwards the book remains

chemistry for you november 8 1982 edition open library - Apr 10 2023

web chemistry for you by w e latchem november 8 1982 nelson thornes ltd edition paperback

physics for you keith johnson google books - Jan 27 2022

web keith johnson nelson thornes 2001 general certificate of secondary education 400 pages the most popular series for gcse has been updated to offer comprehensive coverage of the revised

student s book new chemistry for you for all gcse - Jan 07 2023

web buy student s book new chemistry for you for all gcse examinations new by ryan lawrie isbn 9780748783236 from amazon s book store everyday low prices and free delivery on eligible orders nelson thornes ltd publication date 15 jun 2006 language english dimensions 20 32 x 1 91 x 24 13 cm print length 400 pages see all

advanced chemistry for you paperback 31 july 2000 - May 31 2022

web jul 31 2000 buy advanced chemistry for you by nelsonthornes isbn from amazon s book store everyday low prices and free delivery on eligible orders

chemistry for you by lawrie ryan open library - Jul 13 2023

web feb 19 2002 chemistry for you by lawrie ryan february 19 2002 nelson thornes ltd edition ring bound in english 2rev ed edition

chemistry for you ryan lawrie 9780748762347 abebooks - Sep 03 2022

web softcover isbn 10 0748762345 isbn 13 9780748762347 publisher nelson thornes ltd 2001 view all copies of this isbn edition synopsis about this edition this title is ideal for mixed ability sets or streamed sets where students will be entered for either lower or higher tier at gcse

advanced chemistry for you lawrie ryan google books - Nov 05 2022

web nelson thornes 2000 chemistry 472 pages advanced chemistry for you has been carefully designed to be interesting and motivating to the as a2 student with features that make

chemistry for you july 1 1993 edition open library - Oct 04 2022

web jul 1 1993 chemistry for you by e n ramsden july 1 1993 nelson thornes ltd edition spiral bound

read download chemistry for you pdf pdf download - Mar 29 2022

web real chemistry experiments has 40 exciting and engaging experiments with a real life steam science technology engineering art math connection for kids become a better problem solver inventor and innovator with these fascinating chemistry experiments each one has a clear purpose or question that s being asked step by step instructions

chemistry for cambridge igcse google books - Jul 01 2022

web roger norris roger standbridge nelson thornes limited 2014 chemistry 276 pages endorsed by cambridge international

examinations chemistry for cambridge igcserg first edition is
new chemistry for you lawrie ryan google books - Aug 02 2022

web nelson thornes 2006 chemistry 400 pages new chemistry for you has been written for a wide range of middle ability students who will benefit from its motivational style

chemistry for you by w e latchem open library - Dec 06 2022

web chemistry for you by w e latchem november 28 1983 nelson thornes ltd edition paperback it looks like you re offline donate Čeština cs deutsch de english en an edition of chemistry for you 1982 chemistry for you by w e latchem 0

nelson thornes is now part of oxford university press - Jun 12 2023

web call oup customer service for bond on 01536 452610 or email schools enquiries uk oup com visit bond online nelson thornes and oxford university press share a rich publishing heritage and a reputation for providing teachers and pupils with the very best resources and support be assured that together we ll be able to bring

historical dictionary of the democratic republic of the congo - Jul 03 2022

web oct 1 2009 the third edition of the historical dictionary of the democratic republic of the congo looks back at the nearly 48 years of independence over a century of colonial rule and even earlier

history of the democratic republic of the congo wikipedia - Feb 27 2022

web economic history of the democratic republic of the congo former place names in the democratic republic of the congo

history of africa list of heads of state of the democratic republic of the congo list of heads of government of the democratic republic of the congo politics of the democratic republic of the congo cities in

history of the republic of the congo wikipedia - May 01 2022

web it had six so called provinces called mpemba soyo mbamba mbata nsundi and mpangu with the kingdom of loango in the north and the kingdom of mbundu in the south being tributary states in the east it bordered on the kwango river a tributary of the congo river

historical dictionary of the democratic republic of the congo - Mar 31 2022

web this third edition of historical dictionary of the democratic republic of the congo reviews the nearly 48 years of independence more than a century of colonial rule and earlier kingdoms

historical dictionary of the people s republic of the congo congo - Sep 05 2022

web historical dictionary of the people s republic of the congo congo brazzaville thompson virginia 1903 1990 free download borrow and streaming internet archive

historical dictionary of republic of the congo worldcat org - Jan 09 2023

web historical dictionary of republic of the congo contents editor s foreword jon woronoff acknowledgments acronyms and

historical dictionary of the democratic republic of the congo - Feb 10 2023

web nov 18 2016 this fourth edition of historical dictionary of the democratic republic of the congo contains a chronology an introduction appendixes and an extensive bibliography the dictionary

historical dictionary of republic of the congo google books - Aug 16 2023

web the fourth edition of the historical dictionary of republic of the congo provides a comprehensive set of references on the country s history politics economics and culture it traces the

historical dictionary of republic of the congo bookshop - Jun 02 2022

web aug 9 2012 the fourth edition of the historical dictionary of republic of the congo provides a comprehensive set of references on the country s history politics economics and culture it traces the careers of the country s leading personalities into the era following the democratic experiment of the 1990s

historical dictionary of republic of the congo historical dictionaries - May 13 2023

web aug 9 2012 the fourth edition of the historical dictionary of republic of the congo provides a comprehensive set of references on the country s history politics economics and culture it traces the careers of the country s leading personalities into the era following the democratic experiment of the 1990s

republic of the congo wikipedia - Dec 28 2021

web the republic of the congo french république du congo lingala republíki ya kongó also known as congo brazzaville the congo republic or simply either congo or the congo is a country located on the western coast of

historical dictionary of republic of the congo overdrive - Nov 07 2022

web aug 9 2012 the fourth edition of the historical dictionary of republic of the congo provides a comprehensive set of references on the country s history politics economics and culture it traces the careers of the country s leading personalities into the era following the democratic experiment of the 1990s

historical dictionary of republic of the congo open library - Mar 11 2023

web historical dictionary of republic of the congo by john frank clark 2012 scarecrow press edition in english 4th ed

historical dictionary of republic of the congo - Dec 08 2022

web bir john f clark eseri olan historical dictionary of republic of the congo e kitap olarak en cazip fiyat ile d r de keşfetmek için hemen tıklayınız

historical dictionary of republic of the congo clark john frank - Jun 14 2023

web may 11 2022 rev ed of historical dictionary of congo 3rd ed samuel decalo virginia thompson richard adloff 1996 includes bibliographical references p 467 521

republic of the congo history flag map population capital - Jan 29 2022

web sep 12 2023 officially known as the republic of the congo the country is often called congo brazzaville with its capital added parenthetically to distinguish it from neighbouring democratic republic of the congo which is often referred to by its acronym the drc or called congo kinshasa

historical dictionary of the democratic republic of the congo - Aug 04 2022

web historical dictionary of the democratic republic of the congo zaire revised edition of historical dictionary of zaire 1988 by f s cott b obb african historical dictionaries 76 lanham md and london scarecrow press 1999 pp xxxviii 598 67 50 isbn 0 8108 3571 1

historical dictionary of republic of the congo apple books - Oct 06 2022

web aug 9 2012 the fourth edition of the historical dictionary of republic of the congo provides a comprehensive set of references on the country s history politics economics and culture it traces the careers of the country s leading personalities into the era following the democratic experiment of the 1990s

historical dictionary of republic of the congo google books - Jul 15 2023

web aug 9 2012 the fourth edition of the historical dictionary of republic of the congo provides a comprehensive set of references on the country s history politics economics and culture it traces the

historical dictionary of republic of the congo 4th edition - Apr 12 2023

web jun 7 2013 historical dictionary of republic of the congo 4th edition author tea rokolj books and journals case studies expert briefings open access publish with us advanced search to read this content please select one of the options below historical dictionary of republic of the congo 4th edition tea rokolj morisset library

air conditioning refrigerant capacity quick - Oct 09 2023

web agc0 allis tractors brand model refrigerant type refrigerant capacity agco allis 6670 prior 1174 52 9 ounces agco allis 6680 prior 1317 63 5 ounces agco allis 6690 prior 1929 63 5 ounces agco allis 7600 prior 1387 56 4 ounces agco allis 7630 56 4 ounces agco allis 7650 56 4 ounces agco allis 8610 prior 1389 63 5 ounces agco

optimize performance new holland tractor refrigerant capacity - Aug 07 2023

web the refrigerant capacity chart the refrigerant capacity chart provides information about the ideal amount of refrigerant needed for each specific model and series of new holland tractors it helps ensure that the cooling system operates efficiently and

viewing a thread 4440 how much freon agtalk - Aug 27 2022

web jul 8 2016 3 6 lbs conversion chart from deere cottonhauler posted 7 8 2016 18 58 5400047 in reply to 5400022 subject re 4440 how much freon zabcikville tx 250 on the high side leave a few bibles in the sight gauge

kalmar ottawa t2 maintenance manual pdf download manualslib - Mar 22 2022

web the def suction throttle line 1000 mm long connects to the multifunction head unit with a 3 8 90 degree fitting the def return pressure line 1750 mm long connects to the multifunction head unit with a 5 16 90 degree fitting maintenance manual ottawa t2 4x2

kubota m125 tractor ac recharge freon capacity refrigerant - Sep 27 2022

web jul 12 2013 how much refrigerant r134a is supposed to be in the a c unit of a m125 kubota tractor answered by a verified mechanic

mf tractor ac needs freon tractorbynet - Apr 22 2022

web mar 24 2015 if the tractor is a massey ferguson 399 with a sanden compressor then the tractor uses 3 1 lbs of r134 7 oz of oil and use 150 viscosity oil when you purge the system i do not know how to put it in on your tractor hopefully someone else can explain that jul 14 2014 mf tractor ac needs freon 3

freon amount l4330 hst orangetractor talks everything kubota - Nov 29 2022

web oct 4 2019 called my local dealer to find out where to get the amount of freon for the ac system for my l4330 they told me the would sell me a service manual for over 100 can anyone help me out with the amount of freon

mahle aftermarket north america na - May 24 2022

web mahle aftermarket north america na

the capacities of john deere refrigerant farmer grows - Jun 05 2023

web sep 3 2022 when it comes to air conditioning the john deere tractor or equipment s refrigerant is a core part the best refrigerant and oil have been employed in this process by the company as a result their refrigerant capacitance the amount of heat they can hold is quite impressive

heavy duty off road vehicles technical session - Oct 29 2022

web wheel tractor update 6 a new condenser is introduced with a different refrigerant capacity the easiest way to determined the correct system charge is by observing or measuring the condenser height 396 2 mm 15 6 inch height 1 4 kg 3 08 lb 569 mm 22 4 inch height 1 25 kg 2 75 lb introduced mid 2017 mf 8700 and challenger

ac refrigerant capacities studylib net - May 04 2023

web mar 31 2015 click here to go back challenger articulated and rubber track tractors refrigerant brand model refrigerant type capacity mt735 mt745 mt755 mt7 challenger mt700 series 65 behr condenser r134a 4 65 lbs 2 1 kg mt745b mt755b mt765b modine challenger mt700b series condenser

coolant oil and transmission fluid capacities john deere - Feb 01 2023

web 1 coolant oil and transmission fluid capacities 2 back to top combine 3300 28 qt 26 5 l coolant 7 qt 6 6 l crankcase 14 qt 13 3 l reservoir 17 qt 16 2 l system 3 5 qt

refrigerant capacity refrigerant filling quantities and oil table - Jul 06 2023

web apr 10 2021 refrigerant capacity refrigerant filling quantities and oil table filling chart freon case ih tractor autopartsvori com refrigerant filling quanti

refrigerant capacity on cab tractor tractorbynet - Feb 18 2022

web jul 29 2023 messages 22 872 location se michigan in the middle of nowhere tractor kubota m9000 hdcc3 m9000 hdc should be on a sticky attached to the engine somewhere or in your owners manual jul 29 2023

refrigerant and a c compressor oil filling quantities mahle - Apr 03 2023

web pag oil yf is suitable for both r1234yf and r134a refrigerants pag oil sp a2 for refrigerants r1234yf and r134a for use in electrically driven air conditioning compressors that have been filled ex works with a special pag oil pao 68 oil for refrigerant r134a and in some cases for refrigerant r1234yf and others

ik190022 a c refrigerant and oil capacities page - Mar 02 2023

web description this below document lists out the correct system component refrigerant and oil capacity based on engine and model of the vehicles charge quantities oil capacity component capacity cc capacity oz valve

john deere tractors discussion board 4240 ac capacity - Jun 24 2022

web the ac on this tractor has been upgraded to r134a i need to replace the compressor what is the capacity of this system refrigerant and oil thank you for your help replies re 4240 ac capacity jared in wi 19 11 34 03 06 09 0 re 4240 ac capacity tim s 19 12 02 03 05 09 2

john deere tractor refrigerant capacity chart farmchat - Dec 31 2022

web apr 9 2020 does anyone know where i can locate a john deere tractor refrigerant capacity chart my ac is currently blowing anything but cold air

refrigerant filling quantities oil john deere tractor - Sep 08 2023

web apr 8 2021 refrigerant filling quantities and oil john deere tractorall info autopartsvori com refrigerant filling quantities and oil john deere tractorwhich f

how much freon to refill system on 1086 red power magazine - Jul 26 2022

web aug 7 2019 posted august 3 2019 on 8 2 2019 at 3 47 pm farmall fixer said 80 85 of the r12 charge the factory r12 charge was 4 1 2 lbs so 3 6 to 3 8 lbs of 134a i charge them to 3 8 lbs when do an ac yep that s about where they usually end up around here posted august 3 2019