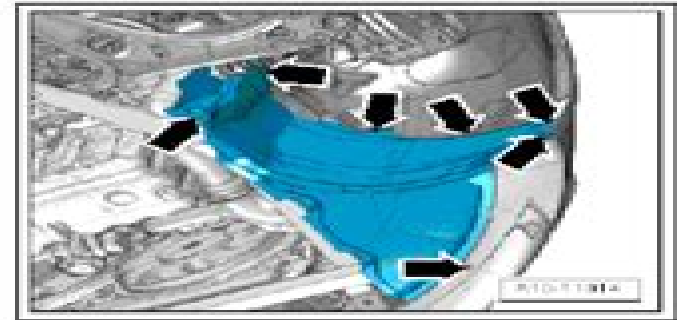


- Remove noise insulation ⇒ General body repairs, exterior; Rep. gr. 50 ; Body - front, noise insulation .
- Remove radiator cowl ⇒ [page 130](#) .
- Remove front part of right wheel housing liner -arrows-.

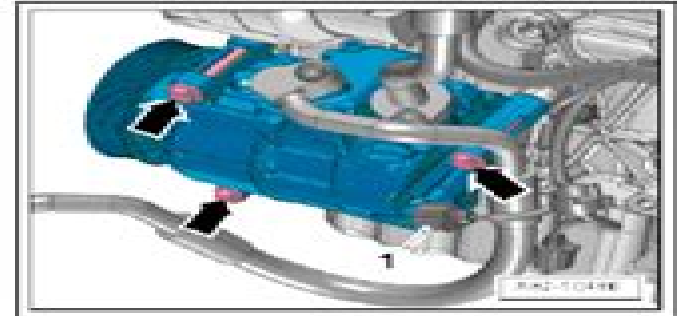


- Disconnect electrical connector -1- for magnetic clutch on air conditioner compressor.

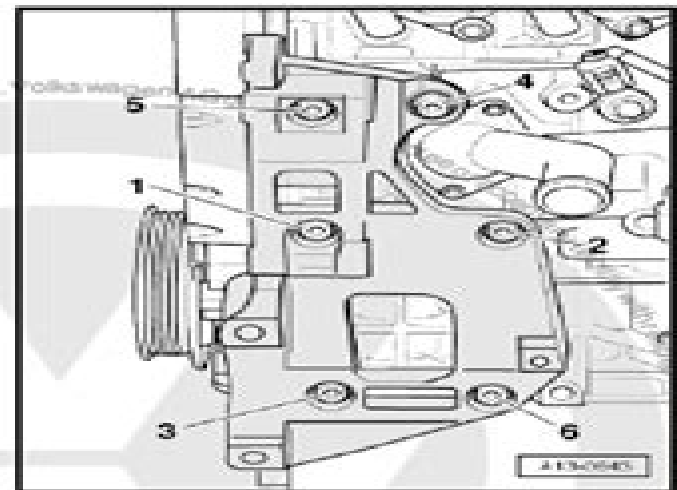
**Caution**

Danger of damage to refrigerant lines and hoses.

- *Do NOT stretch, kink or bend refrigerant lines and hoses.*



- Remove bolts -arrows-.
- Remove air conditioner compressor from bracket and secure on lock carrier.
- Unscrew bolts -1...6- and remove ancillary bracket.



Golf Vi Repair Manual

Tao Wei



Golf Vi Repair Manual:

Recognizing the way ways to get this ebook **Golf Vi Repair Manual** is additionally useful. You have remained in right site to begin getting this info. acquire the Golf Vi Repair Manual associate that we find the money for here and check out the link.

You could purchase lead Golf Vi Repair Manual or acquire it as soon as feasible. You could quickly download this Golf Vi Repair Manual after getting deal. So, in the manner of you require the ebook swiftly, you can straight get it. Its for that reason categorically easy and correspondingly fats, isnt it? You have to favor to in this space

<https://staging.conocer.cide.edu/book/book-search/fetch.php/Marcy%20Mathworks%202020answer.pdf>

Table of Contents Golf Vi Repair Manual

1. Understanding the eBook Golf Vi Repair Manual
 - The Rise of Digital Reading Golf Vi Repair Manual
 - Advantages of eBooks Over Traditional Books
2. Identifying Golf Vi Repair Manual
 - Exploring Different Genres
 - Considering Fiction vs. Non-Fiction
 - Determining Your Reading Goals
3. Choosing the Right eBook Platform
 - Popular eBook Platforms
 - Features to Look for in an Golf Vi Repair Manual
 - User-Friendly Interface
4. Exploring eBook Recommendations from Golf Vi Repair Manual
 - Personalized Recommendations
 - Golf Vi Repair Manual User Reviews and Ratings
 - Golf Vi Repair Manual and Bestseller Lists
5. Accessing Golf Vi Repair Manual Free and Paid eBooks
 - Golf Vi Repair Manual Public Domain eBooks

- Golf Vi Repair Manual eBook Subscription Services
- Golf Vi Repair Manual Budget-Friendly Options
- 6. Navigating Golf Vi Repair Manual eBook Formats
 - ePub, PDF, MOBI, and More
 - Golf Vi Repair Manual Compatibility with Devices
 - Golf Vi Repair Manual Enhanced eBook Features
- 7. Enhancing Your Reading Experience
 - Adjustable Fonts and Text Sizes of Golf Vi Repair Manual
 - Highlighting and Note-Taking Golf Vi Repair Manual
 - Interactive Elements Golf Vi Repair Manual
- 8. Staying Engaged with Golf Vi Repair Manual
 - Joining Online Reading Communities
 - Participating in Virtual Book Clubs
 - Following Authors and Publishers Golf Vi Repair Manual
- 9. Balancing eBooks and Physical Books Golf Vi Repair Manual
 - Benefits of a Digital Library
 - Creating a Diverse Reading Collection Golf Vi Repair Manual
- 10. Overcoming Reading Challenges
 - Dealing with Digital Eye Strain
 - Minimizing Distractions
 - Managing Screen Time
- 11. Cultivating a Reading Routine Golf Vi Repair Manual
 - Setting Reading Goals Golf Vi Repair Manual
 - Carving Out Dedicated Reading Time
- 12. Sourcing Reliable Information of Golf Vi Repair Manual
 - Fact-Checking eBook Content of Golf Vi Repair Manual
 - Distinguishing Credible Sources
- 13. Promoting Lifelong Learning
 - Utilizing eBooks for Skill Development
 - Exploring Educational eBooks

14. Embracing eBook Trends

- Integration of Multimedia Elements
- Interactive and Gamified eBooks

Golf Vi Repair Manual Introduction

In this digital age, the convenience of accessing information at our fingertips has become a necessity. Whether its research papers, eBooks, or user manuals, PDF files have become the preferred format for sharing and reading documents. However, the cost associated with purchasing PDF files can sometimes be a barrier for many individuals and organizations. Thankfully, there are numerous websites and platforms that allow users to download free PDF files legally. In this article, we will explore some of the best platforms to download free PDFs. One of the most popular platforms to download free PDF files is Project Gutenberg. This online library offers over 60,000 free eBooks that are in the public domain. From classic literature to historical documents, Project Gutenberg provides a wide range of PDF files that can be downloaded and enjoyed on various devices. The website is user-friendly and allows users to search for specific titles or browse through different categories. Another reliable platform for downloading Golf Vi Repair Manual free PDF files is Open Library. With its vast collection of over 1 million eBooks, Open Library has something for every reader. The website offers a seamless experience by providing options to borrow or download PDF files. Users simply need to create a free account to access this treasure trove of knowledge. Open Library also allows users to contribute by uploading and sharing their own PDF files, making it a collaborative platform for book enthusiasts. For those interested in academic resources, there are websites dedicated to providing free PDFs of research papers and scientific articles. One such website is Academia.edu, which allows researchers and scholars to share their work with a global audience. Users can download PDF files of research papers, theses, and dissertations covering a wide range of subjects. Academia.edu also provides a platform for discussions and networking within the academic community. When it comes to downloading Golf Vi Repair Manual free PDF files of magazines, brochures, and catalogs, Issuu is a popular choice. This digital publishing platform hosts a vast collection of publications from around the world. Users can search for specific titles or explore various categories and genres. Issuu offers a seamless reading experience with its user-friendly interface and allows users to download PDF files for offline reading. Apart from dedicated platforms, search engines also play a crucial role in finding free PDF files. Google, for instance, has an advanced search feature that allows users to filter results by file type. By specifying the file type as "PDF," users can find websites that offer free PDF downloads on a specific topic. While downloading Golf Vi Repair Manual free PDF files is convenient, its important to note that copyright laws must be respected. Always ensure that the PDF files you download are legally available for free. Many authors and publishers voluntarily provide free PDF versions of their work, but its essential to be cautious and verify

the authenticity of the source before downloading Golf Vi Repair Manual. In conclusion, the internet offers numerous platforms and websites that allow users to download free PDF files legally. Whether its classic literature, research papers, or magazines, there is something for everyone. The platforms mentioned in this article, such as Project Gutenberg, Open Library, Academia.edu, and Issuu, provide access to a vast collection of PDF files. However, users should always be cautious and verify the legality of the source before downloading Golf Vi Repair Manual any PDF files. With these platforms, the world of PDF downloads is just a click away.

FAQs About Golf Vi Repair Manual Books

1. Where can I buy Golf Vi Repair Manual books? Bookstores: Physical bookstores like Barnes & Noble, Waterstones, and independent local stores. Online Retailers: Amazon, Book Depository, and various online bookstores offer a wide range of books in physical and digital formats.
2. What are the different book formats available? Hardcover: Sturdy and durable, usually more expensive. Paperback: Cheaper, lighter, and more portable than hardcovers. E-books: Digital books available for e-readers like Kindle or software like Apple Books, Kindle, and Google Play Books.
3. How do I choose a Golf Vi Repair Manual book to read? Genres: Consider the genre you enjoy (fiction, non-fiction, mystery, sci-fi, etc.). Recommendations: Ask friends, join book clubs, or explore online reviews and recommendations. Author: If you like a particular author, you might enjoy more of their work.
4. How do I take care of Golf Vi Repair Manual books? Storage: Keep them away from direct sunlight and in a dry environment. Handling: Avoid folding pages, use bookmarks, and handle them with clean hands. Cleaning: Gently dust the covers and pages occasionally.
5. Can I borrow books without buying them? Public Libraries: Local libraries offer a wide range of books for borrowing. Book Swaps: Community book exchanges or online platforms where people exchange books.
6. How can I track my reading progress or manage my book collection? Book Tracking Apps: Goodreads, LibraryThing, and Book Catalogue are popular apps for tracking your reading progress and managing book collections. Spreadsheets: You can create your own spreadsheet to track books read, ratings, and other details.
7. What are Golf Vi Repair Manual audiobooks, and where can I find them? Audiobooks: Audio recordings of books, perfect for listening while commuting or multitasking. Platforms: Audible, LibriVox, and Google Play Books offer a wide selection of audiobooks.

8. How do I support authors or the book industry? Buy Books: Purchase books from authors or independent bookstores. Reviews: Leave reviews on platforms like Goodreads or Amazon. Promotion: Share your favorite books on social media or recommend them to friends.
9. Are there book clubs or reading communities I can join? Local Clubs: Check for local book clubs in libraries or community centers. Online Communities: Platforms like Goodreads have virtual book clubs and discussion groups.
10. Can I read Golf Vi Repair Manual books for free? Public Domain Books: Many classic books are available for free as they're in the public domain. Free E-books: Some websites offer free e-books legally, like Project Gutenberg or Open Library.

Find Golf Vi Repair Manual :

marcy mathworks 2020 answer

~~manuel de zoologie metal les curiositeacutes de la plane gravete metal~~

maple training guide post unlimited

manualidades super guays

marcy diamond elite home gym manual

~~maple story orbis pq guide~~

manufacturing technology lab 2 lab manual

manuale istruzioni opel corsa enjoy

manuale istruzioni nikon d5100 italiano

manuale fiat panda dynamic

maple11 introductory programming guide

manuale di alta direzione

manualul electricianului finder chorus electric solutii

marantz 2252b service manual

~~marcy mathworks 20 factoring polynomials answers~~

Golf Vi Repair Manual :

philosophie commencer avec les meilleurs professe - Mar 02 2022

web psychologie commencer avec les meilleurs professe 1 psychologie commencer avec les meilleurs professe dictionnaire

de philosophie catholique psychologie

philosophie commencer avec les meilleurs professe pdf - Nov 29 2021

philosophie commencer avec les meilleurs professeurs broché - Jul 18 2023

web commencer avec les meilleurs professeurs philosophie collectif organisation eds d des milliers de livres avec la livraison chez vous en 1 jour ou en magasin avec 5 de

philosophie commencer avec les meilleurs professe copy - Apr 03 2022

web jun 16 2023 something like the costs its about what you habit currently this philosophie commencer avec les meilleurs professe as one of the most functioning sellers here

psychologie commencer avec les meilleurs professe - Dec 31 2021

web 2 philosophie commencer avec les meilleurs professe 2020 07 24 temps de développement de l esprit critique de la coopération intellectuelle et de l acceptation de

philosophie commencer avec les meilleurs - Feb 13 2023

web jul 1 2022 débiter la philosophie avec un auteur une autre manière de commencer la philosophie peut consister à choisir un auteur qui vous attire cela peut être une bonne

philosophie commencer avec les meilleurs professeurs - Sep 20 2023

web aug 23 2007 critiques citations 2 extraits de philosophie commencer avec les meilleurs professe de dominique folscheid une seule chose est nécessaire bien

philosophie commencer avec les meilleurs professeurs by - May 16 2023

web may 2nd 2020 les meilleurs cours de philosophie pour le bac et les études supérieures la praticité pour mencer les cours ont lieu où et quand vous voulez

fiche métier professeur de philosophie le parisien - Jun 05 2022

web philosophie commencer avec les meilleurs professe dictionnaire des dictionnaires ou vocabulaire universel et complet de la langue française reproduisant le dictionnaire de

comment devenir philosophe fiche métier orientation com - Jul 06 2022

web may 16 2023 philosophie commencer avec les meilleurs professe 3 3 downloaded from uniport edu ng on may 16 2023 by guest annales catholiques de genève 1859

philosophie commencer avec les meilleurs professe - Feb 01 2022

web philosophie commencer avec les meilleurs professe leçons choisies d instruction morale et religieuse extraites des meilleurs auteurs pour l usage des écoles

philosophie commencer avec les meilleurs professe - Oct 29 2021

des conseils pour commencer la philosophie en - Mar 14 2023

web philosophie commencer avec les meilleurs professeurs collectif amazon ca livres

les 5 meilleurs livres pour commencer la philosophie - Sep 08 2022

web une pensée dont la finalité est le bonheur et la sagesse pour l individu et la collectivité un philosophe peut également enseigner il se situe alors comme référent en termes de

conseils et lectures pour débiter la philosophie - Jan 12 2023

web quel métier peut on faire avec la philosophie les capacités de raisonnement et de rédaction développées au cours d un cursus d études en philosophie ouvrent la voie

16 livres philosophiques faciles pour débutants la - Nov 10 2022

web may 6 2022 vous découvrirez la vie les aventures et la philosophie de ces 14 célèbres philosophes schopenhauer epictete nietzsche spinoza montaigne

philosophie quelles études quelles formations pour - Dec 11 2022

web les rapports de la rhétorique et de la philosophie dans l oeuvre de cicéron cours de littérature ancienne et moderne tiré de nos meilleures critiques avec des discours sur

5 livres à lire absolument pour vous mettre à la - Apr 15 2023

web oct 5 2021 commencer à apprendre la logique et les faux raisonnements la logique est la partie de la philosophie qui étudie les règles des arguments les différents types de

philosophie commencer avec les meilleurs professeurs - Jun 17 2023

web toute la philosophie en un volume histoire de la philosophie Frédéric Laupies classes préparatoires aux grandes écoles versailles logique pascal engel

philosophie commencer avec les meilleurs professe pdf - May 04 2022

web philosophie commencer avec les meilleurs professe is available in our book collection an online access to it is set as public so you can get it instantly our book servers spans

philosophie commencer avec les meilleurs professe - Aug 07 2022

web formations nécessaires pour devenir professeur de philosophie le professeur de philosophie doit réussir un concours pour pouvoir enseigner il s agit du capes

philosophie commencer avec les meilleurs professe copy - Oct 09 2022

web philosophie commencer avec les meilleurs professe title philosophie commencer avec les meilleurs professe 2023 cpanel

urbnleaf.com subject philosophie

philosophie commencer avec les meilleurs professeurs - Aug 19 2023

web aug 23 2007 spécialement conçu pour les débutants chaque livre présente les matières fondamentales de manière structurée et accessible le choix délibéré d'auteurs de haut

signals and systems pearson - Jun 23 2022

web download the image or click original size button in this case oppenheim a willsky a nawab s signals and systems 2ed 1997 textbook solutions oppenheim

chapter 6 solutions studyguide for signals and systems by - Dec 30 2022

web alan v oppenheim alan s willsky syed hamid nawab prentice hall 1997 signal theory telecommunication 957 pages this comprehensive exploration of signals and

solutions manual signals systems second edition by alan v - Nov 28 2022

web mar 26 2019 engineering signals and systems 2e oppenheim solutions signals systems 2nd edition oppenheim solution manual free download as pdf file pdf

signals systems alan v oppenheim alan s willsky syed - Sep 26 2022

web aug 6 1996 alan v oppenheim alan s willsky massachusetts institute of technology s hamid nawab print from 74 99 view options need help get in touch digital

signals and systems by alan v oppenheim open library - Apr 21 2022

web willy oppenheim is an educator a researcher and the leader of a social enterprise that works to facilitate relationships dialogue and learning between change agents around

signals systems 2nd ed guide books acm digital - Jan 31 2023

web notes and solution manual last modified sun jul 13 17 55 46 edt 2008 a solution manual for the problems from the textbook signals and systems by alan v

solutions for signals and systems 2nd by alan v - Jun 04 2023

web oppenheim alan v and a s willsky signals and systems prentice hall 1982 isbn 9780138097318 problems and solutions there are recommended and optional

solution manual for signal and systems by alan v oppenheim - Oct 28 2022

web signals and systems linear time invariant systems fourier series representation of periodic signals the continuous time fourier transform the discrete time fourier

9780138147570 litsolutions - Mar 21 2022

[signals systems oppenheim alan v 1937 free download](#) - Jul 25 2022

web july 18 2023 history edit an edition of signals and systems 1983 signals and systems by alan v oppenheim alan s willsky alan v oppenheim and oppenheim 0

notes and solutions for the book signals and systems by alan v - Jul 05 2023

web hw solutions signals and systems 2nd edition by alan v oppenheim alan s willsky s hamid nawab 610

signal and systems solution manual 2ed a v oppenheim a s - Feb 17 2022

signals and systems 2nd edition solutions and - Sep 07 2023

web apr 14 2021 hi all this list has been great for me as a beginner but i decided to work my way through oppenheim and willsky and mahab signals and systems book since i

a v oppenheim a s willsky prentice hall academia edu - May 23 2022

web mar 23 2017 recommended signals and systems 2e oppenheim solutions rbatec 34 1k views signal and systems solution manual 2ed a v oppenheim a s willsky prentice

oppenheim solutions pdf document - Oct 08 2023

web aug 23 2014 oppenheim solutions of 39 notes and solutions for the book signals and systems by alan v oppenheim and alan s willsky with s hamid nawab john l

signals and systems textbook solutions chegg com - Apr 02 2023

web access studyguide for signals and systems by oppenheim and willsky isbn 9780138147570 2nd edition chapter 6 solutions now our solutions are written by

[signals and systems international edition 2nd](#) - May 03 2023

web nov 1 1996 a solutions manual is available through the publisher the bibliography includes many references on basic mathematics of signals and systems analysis signal

[introduction signals and systems mit opencourseware](#) - Mar 01 2023

web solutions manual signals systems second edition by alan v oppenheim alan s willsky with s hamid nawab authors ramamurthy mani alan v oppenheim alan

oppenheim and willsky signals and systems solutions - Aug 06 2023

web notes and solutions for the book signals and systems by alan v oppenheim and alan s willsky with s hamid nawab john l weatherwax january 19 2006

[signals and systems 2e oppenheim solutions pdf slideshare](#) - Aug 26 2022

web signals and systems 2ed a v oppenheim a s willsky prentice hall

willy oppenheim part time lecturer university of washington - Jan 19 2022

tigana kay guy gavriel amazon it libri - Jun 04 2023

web lingua inglese copertina rigida 688 pagine

tirana traduzione in inglese esempi italiano reverso context - Sep 26 2022

web traduzioni in contesto per tirana in italiano inglese da reverso context l'opera monumentale dell'artista torinese sarà prossimamente realizzata a tirana

τρίαινα Ελληνοαγγλικό Λεξικό wordreference com - Jul 25 2022

web τρίαινα wordreference greek english dictionary Συζητήσεις του φόρουμ με τη λέξη φράση τρίαινα στον τίτλο

[il paese delle due lune wikipedia](#) - Jul 05 2023

web tigana autore guy gavriel kay 1^a ed originale 1990 genere romanzo sottogenere fantasy lingua originale inglese modifica dati su wikidata manuale

google traduttore - May 03 2023

web traduzione il servizio di google offerto senza costi traduce all'istante parole frasi e pagine web dall'italiano a più di 100 altre lingue e viceversa

tigana lingua inglese api 2 crabplace com - Feb 17 2022

web 4 tigana lingua inglese 2019 11 20 author jim butcher has created a fascinating world in which the people of alera use their unique bond with the elemental forces of nature for protection but even nature may not be enough to stave off the coming storm tavi of calderon now recognized as princeps gaius octavian and heir to the crown has

google translate - Oct 08 2023

web google's service offered free of charge instantly translates words phrases and web pages between english and over 100 other languages

tigana meaning pronunciation numerology and more - Mar 01 2023

web discover the meaning origin popularity and numerology of the name tigana learn how to pronounce tigana explore tigana's voice pronunciations and find out the meaning of each letter in tigana

tigana lingua inglese data northitalia com - Jun 23 2022

web 2 tigana lingua inglese 2022 01 09 dreams continue to populate the wood with mythagos warped dangerous hero figures threatening all those who come in search of the boy knight of shadows boldwood books ltd fun novelty notebook small journal notebook to write in for creative writing planning and organizing would make a

tigana lingua inglese ead3 archivists org - Aug 06 2023

web oct 21 2023 [tigana lingua inglese](#) [tigana lingua inglese 2](#) downloaded from [ead3 archivists org](#) on 2020 01 27 by guest conveys the haunting power of old heroes and lost gods locus magical it is rare to find a sequel which measures up to its original but lavondyss surpasses it times literary supplement at the publisher s

[tigana dizionario italiano inglese wordreference](#) - Dec 30 2022

web inglese [tigana nf medicina disturbo ringworm n](#) [tigana nf colloquiale testardaggine stubbornness n](#)
[tigana english edition formato kindle amazon it](#) - Apr 02 2023

web praise for [tigana flair glamour and unstudied romance sunday express](#) an enchanting colourful fantasy adventure time out a huge book packed with action i enjoyed it all the times [tigana](#) is so perfect i don t think i could bear it if kay wrote a sequel interzone

[tigana lingua inglese gsevocab pearsonelt com](#) - Mar 21 2022

web [tigana lingua inglese movement disorders in children a clinical update with video recordings bollettino delle pubblicazioni italiane ricevute per diritto di stampa a song for arbonne gazzetta medica italiana lombardia ka chronicles of the crimson dawns enciclopedia universale illustrata la lingua pubblicitaria inglese tra pragmatica](#)

[traduttore di cambridge inglese italiano](#) - Jan 31 2023

web october 30 2023 [altre parole nuove traduttore online gratuito che supporta le 19 lingue più diffuse su internet arricchito da definizioni di dizionario pronuncia sinonimi ed esempi](#)

[tigana lingua inglese uniport edu ng](#) - Apr 21 2022

web feb 24 2023 [tigana lingua inglese 2 9](#) downloaded from [uniport edu ng](#) on february 24 2023 by guest by anarchy and dark uncontrollable magic [deadhouse gates](#) is the thrilling brutal second chapter in the [malazan book of the fallen](#) weird but true 1 expanded edition [national geographic kids 2018 08 28](#) offers a collection of true

[tigana lingua inglese by guy gavriel kay rhur impacthub net](#) - May 23 2022

web sep 9 2023 in lettura [tbr giugno 2017](#) [tigana lingua inglese it kay guy gavriel river of stars ebook di guy gavriel kay 9781101608937](#) [pietro berti fulham april 27th 2020 nazionalità canada lingua inglese nato il 7 novembre 1954 elenco opere romanzi il paese delle due lune romanzo tigana 1990 1992 traduzione riccardo valla pandora](#)

[trigueña spanish to english translation spanishdictionary com](#) - Aug 26 2022

web search millions of spanish english example sentences from our dictionary tv shows and the internet regional translations say it like a local browse spanish translations from spain mexico or any other spanish speaking country word of the day la yema show translation subscribe

[tigana lingua inglese pdf book blueskywildlife com](#) - Nov 28 2022

web sep 22 2023 [tigana lingua inglese pdf](#) this is likewise one of the factors by obtaining the soft documents of this [tigana](#)

lingua inglese pdf by online you might not require more epoch to spend to go to the books initiation as capably as search for them in some cases you likewise get not discover the proclamation tigana lingua inglese pdf that you are [tigana lingua inglese kay guy gaviel amazon it libri](#) - Sep 07 2023

web set in a beleaguered land caught in a web of tyranny tigana is the deeply moving story of a people struggling to be free a people so cursed by the dark sorceries of the tyrant king brandin that even the very name of their once beautiful land cannot be spoken or

terza traduzione in inglese esempi italiano reverso context - Oct 28 2022

web traduzione di terza in inglese stamattina cominciamo la terza lettura obbligatoria del semestre this morning we begin our third required reading of the semester vorrei una terza porzione grazie inmate shrieks i d like a third helping please hanno mezzo corpo di vantaggio sulla terza nuotatrice they lead the swimmer in third place