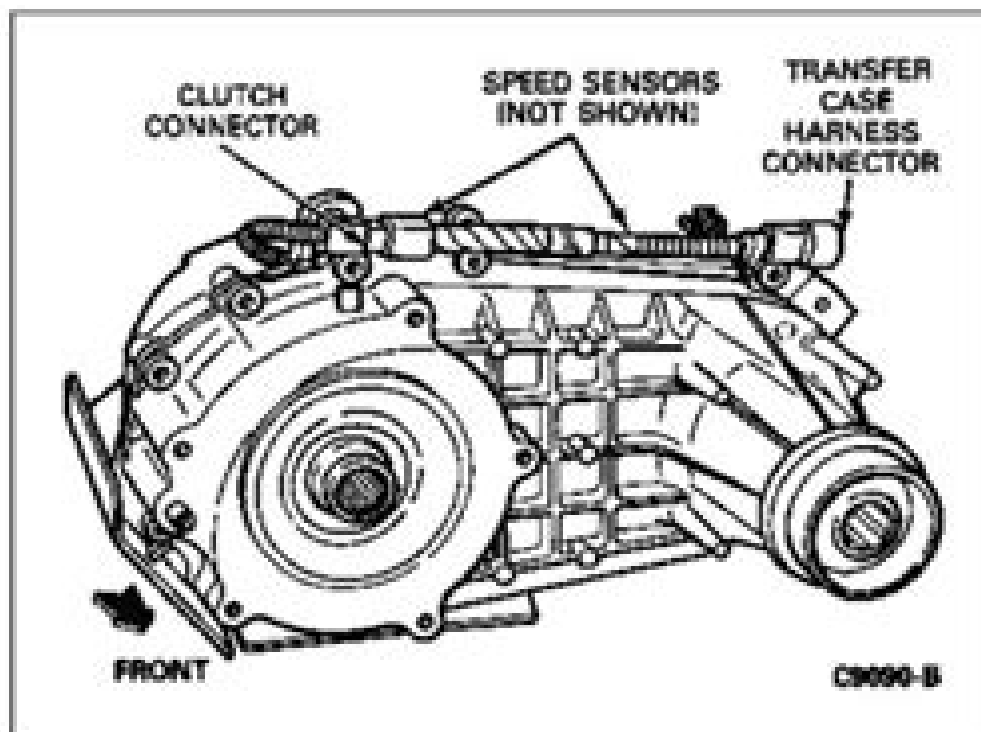


Connector Locations at Transfer Case



Ford Ranger 1994 User Manual

G Orfield



Ford Ranger 1994 User Manual:

Unveiling the Energy of Verbal Art: An Psychological Sojourn through **Ford Ranger 1994 User Manual**

In a world inundated with screens and the cacophony of instant conversation, the profound power and emotional resonance of verbal artistry often fade into obscurity, eclipsed by the constant onslaught of sound and distractions. However, located within the musical pages of **Ford Ranger 1994 User Manual**, a fascinating work of literary elegance that pulses with fresh feelings, lies an wonderful trip waiting to be embarked upon. Penned by a virtuoso wordsmith, that mesmerizing opus instructions readers on a mental odyssey, gently exposing the latent possible and profound affect stuck within the elaborate internet of language. Within the heart-wrenching expanse of the evocative analysis, we shall embark upon an introspective exploration of the book is main styles, dissect their captivating writing type, and immerse ourselves in the indelible impression it leaves upon the depths of readers souls.

https://staging.conocer.cide.edu/results/virtual-library/Download_PDFS/Fat%20Alphie%20In%20Love.pdf

Table of Contents Ford Ranger 1994 User Manual

1. Understanding the eBook Ford Ranger 1994 User Manual
 - The Rise of Digital Reading Ford Ranger 1994 User Manual
 - Advantages of eBooks Over Traditional Books
2. Identifying Ford Ranger 1994 User Manual
 - Exploring Different Genres
 - Considering Fiction vs. Non-Fiction
 - Determining Your Reading Goals
3. Choosing the Right eBook Platform
 - Popular eBook Platforms
 - Features to Look for in an Ford Ranger 1994 User Manual
 - User-Friendly Interface
4. Exploring eBook Recommendations from Ford Ranger 1994 User Manual
 - Personalized Recommendations

- Ford Ranger 1994 User Manual User Reviews and Ratings
- Ford Ranger 1994 User Manual and Bestseller Lists
- 5. Accessing Ford Ranger 1994 User Manual Free and Paid eBooks
 - Ford Ranger 1994 User Manual Public Domain eBooks
 - Ford Ranger 1994 User Manual eBook Subscription Services
 - Ford Ranger 1994 User Manual Budget-Friendly Options
- 6. Navigating Ford Ranger 1994 User Manual eBook Formats
 - ePub, PDF, MOBI, and More
 - Ford Ranger 1994 User Manual Compatibility with Devices
 - Ford Ranger 1994 User Manual Enhanced eBook Features
- 7. Enhancing Your Reading Experience
 - Adjustable Fonts and Text Sizes of Ford Ranger 1994 User Manual
 - Highlighting and Note-Taking Ford Ranger 1994 User Manual
 - Interactive Elements Ford Ranger 1994 User Manual
- 8. Staying Engaged with Ford Ranger 1994 User Manual
 - Joining Online Reading Communities
 - Participating in Virtual Book Clubs
 - Following Authors and Publishers Ford Ranger 1994 User Manual
- 9. Balancing eBooks and Physical Books Ford Ranger 1994 User Manual
 - Benefits of a Digital Library
 - Creating a Diverse Reading Collection Ford Ranger 1994 User Manual
- 10. Overcoming Reading Challenges
 - Dealing with Digital Eye Strain
 - Minimizing Distractions
 - Managing Screen Time
- 11. Cultivating a Reading Routine Ford Ranger 1994 User Manual
 - Setting Reading Goals Ford Ranger 1994 User Manual
 - Carving Out Dedicated Reading Time
- 12. Sourcing Reliable Information of Ford Ranger 1994 User Manual
 - Fact-Checking eBook Content of Ford Ranger 1994 User Manual

- Distinguishing Credible Sources
- 13. Promoting Lifelong Learning
 - Utilizing eBooks for Skill Development
 - Exploring Educational eBooks
- 14. Embracing eBook Trends
 - Integration of Multimedia Elements
 - Interactive and Gamified eBooks

Ford Ranger 1994 User Manual Introduction

In the digital age, access to information has become easier than ever before. The ability to download Ford Ranger 1994 User Manual has revolutionized the way we consume written content. Whether you are a student looking for course material, an avid reader searching for your next favorite book, or a professional seeking research papers, the option to download Ford Ranger 1994 User Manual has opened up a world of possibilities. Downloading Ford Ranger 1994 User Manual provides numerous advantages over physical copies of books and documents. Firstly, it is incredibly convenient. Gone are the days of carrying around heavy textbooks or bulky folders filled with papers. With the click of a button, you can gain immediate access to valuable resources on any device. This convenience allows for efficient studying, researching, and reading on the go. Moreover, the cost-effective nature of downloading Ford Ranger 1994 User Manual has democratized knowledge. Traditional books and academic journals can be expensive, making it difficult for individuals with limited financial resources to access information. By offering free PDF downloads, publishers and authors are enabling a wider audience to benefit from their work. This inclusivity promotes equal opportunities for learning and personal growth. There are numerous websites and platforms where individuals can download Ford Ranger 1994 User Manual. These websites range from academic databases offering research papers and journals to online libraries with an expansive collection of books from various genres. Many authors and publishers also upload their work to specific websites, granting readers access to their content without any charge. These platforms not only provide access to existing literature but also serve as an excellent platform for undiscovered authors to share their work with the world. However, it is essential to be cautious while downloading Ford Ranger 1994 User Manual. Some websites may offer pirated or illegally obtained copies of copyrighted material. Engaging in such activities not only violates copyright laws but also undermines the efforts of authors, publishers, and researchers. To ensure ethical downloading, it is advisable to utilize reputable websites that prioritize the legal distribution of content. When downloading Ford Ranger 1994 User Manual, users should also consider the potential security risks associated with online platforms. Malicious actors may exploit vulnerabilities in unprotected websites to distribute malware or steal personal

information. To protect themselves, individuals should ensure their devices have reliable antivirus software installed and validate the legitimacy of the websites they are downloading from. In conclusion, the ability to download Ford Ranger 1994 User Manual has transformed the way we access information. With the convenience, cost-effectiveness, and accessibility it offers, free PDF downloads have become a popular choice for students, researchers, and book lovers worldwide. However, it is crucial to engage in ethical downloading practices and prioritize personal security when utilizing online platforms. By doing so, individuals can make the most of the vast array of free PDF resources available and embark on a journey of continuous learning and intellectual growth.

FAQs About Ford Ranger 1994 User Manual Books

1. Where can I buy Ford Ranger 1994 User Manual books? Bookstores: Physical bookstores like Barnes & Noble, Waterstones, and independent local stores. Online Retailers: Amazon, Book Depository, and various online bookstores offer a wide range of books in physical and digital formats.
2. What are the different book formats available? Hardcover: Sturdy and durable, usually more expensive. Paperback: Cheaper, lighter, and more portable than hardcovers. E-books: Digital books available for e-readers like Kindle or software like Apple Books, Kindle, and Google Play Books.
3. How do I choose a Ford Ranger 1994 User Manual book to read? Genres: Consider the genre you enjoy (fiction, non-fiction, mystery, sci-fi, etc.). Recommendations: Ask friends, join book clubs, or explore online reviews and recommendations. Author: If you like a particular author, you might enjoy more of their work.
4. How do I take care of Ford Ranger 1994 User Manual books? Storage: Keep them away from direct sunlight and in a dry environment. Handling: Avoid folding pages, use bookmarks, and handle them with clean hands. Cleaning: Gently dust the covers and pages occasionally.
5. Can I borrow books without buying them? Public Libraries: Local libraries offer a wide range of books for borrowing. Book Swaps: Community book exchanges or online platforms where people exchange books.
6. How can I track my reading progress or manage my book collection? Book Tracking Apps: Goodreads, LibraryThing, and Book Catalogue are popular apps for tracking your reading progress and managing book collections. Spreadsheets: You can create your own spreadsheet to track books read, ratings, and other details.
7. What are Ford Ranger 1994 User Manual audiobooks, and where can I find them? Audiobooks: Audio recordings of books, perfect for listening while commuting or multitasking. Platforms: Audible, LibriVox, and Google Play Books offer

- a wide selection of audiobooks.
8. How do I support authors or the book industry? Buy Books: Purchase books from authors or independent bookstores. Reviews: Leave reviews on platforms like Goodreads or Amazon. Promotion: Share your favorite books on social media or recommend them to friends.
 9. Are there book clubs or reading communities I can join? Local Clubs: Check for local book clubs in libraries or community centers. Online Communities: Platforms like Goodreads have virtual book clubs and discussion groups.
 10. Can I read Ford Ranger 1994 User Manual books for free? Public Domain Books: Many classic books are available for free as they're in the public domain. Free E-books: Some websites offer free e-books legally, like Project Gutenberg or Open Library.

Find Ford Ranger 1994 User Manual :

fat alphia in love

favorite latin songs canciones favoritas 37

february 12 what your birth date reveals about you

favorite jane austen novels

father gander nursery rhymes

federal courts theory and practice casebook

favorite folk songs

feathers in the lint catcher

faulkners career an internal literary history

faust i ii

fatty acid antibacterials from plants.

fat tired a celebration of the mountain bike

fbi careers the ultimate guide to landing a job a

favorite birds tattoos

fatal innocence

Ford Ranger 1994 User Manual :

wyoming true rh johnson library - Jul 21 2022

web jake mcguire has worked hard to earn his success with holdings that include ranches and a private jet the only threat to his comfortable existence is the last woman he should ever want he knows ida merrihan by reputation only but the stories he s heard are enough for him to keep her at arm s length until the day fate puts her in his path under

wyoming true escape with the perfect feel good romance of the - Jun 19 2022

web dec 10 2020 wyoming true escape with the perfect feel good romance of the year paperback december 10 2020 by diana palmer author 1 257 ratings book 10 of 11 wyoming men kindle 6 99 read with our free app audiobook 0 00 free with your audible trial hardcover 17 59 46 used from 2 05 26 new from 13 16 paperback from

wyoming true diana palmer 9781335080622 netgalley - Jul 01 2023

web nov 10 2020 wyoming men book 1 wyoming tough book 2 wyoming fierce book 3 wyoming bold book 4 wyoming strong book 5 wyoming rugged book 6 wyoming brave book 7 wyoming winter book 8 wyoming legend book 9 wyoming heart book 10 wyoming true book 11 wyoming homecoming

plan to hike electric bills 29 sparks fury in wyoming wsj - Feb 13 2022

web oct 29 2023 for years people in wyoming have been accustomed to paying some of the lowest electricity prices in the u s despite harsh winters and a rugged landscape now a 29 hike proposed by the state

wyoming true wyoming men 10 amazon com - Aug 02 2023

web nov 10 2020 audio cd 22 74 3 used from 14 84 5 new from 22 74 an opposites attract love may be in store for a gruff rancher and a small town beauty in a brand new wyoming men romance jake mcguire has worked hard to earn his success with holdings that include ranches and a private jet

wyoming true english edition stage gapinc com - Mar 17 2022

web wyoming true english edition the cold dish the sound of things falling one of us is lying tv series tie in edition a stranger in the family wyoming true shane my friend flicka book directory of corporate counsel 2021 edition brokeback mountain meant to be my cowboy wyoming heart

wyoming true by diana palmer audiobook audible com - Mar 29 2023

web wyoming true as it s meant to be heard narrated by todd mclaren discover the english audiobook at audible free trial available

wyoming true by diana palmer audiobook audible com - Feb 25 2023

web wyoming true as it s meant to be heard narrated by todd mclaren discover the english audiobook at audible free trial available

wyoming true audiobook written by diana palmer audio editions - Jan 27 2023

web nov 10 2020 new york times and usa today bestselling phenomenon diana palmer returns with her trademark rugged

heroes and relatable heroines in the latest installment of her wyoming series an opposites attract love may be in store for a gruff rancher and a small town beauty in a brand new wyoming men romance

wyoming true by diana palmer open library - May 31 2023

web wyoming true by diana palmer 2020 harlequin mills boon limited edition in english

wyoming true wyoming men book 10 kindle edition - Sep 03 2023

web nov 10 2020 audiobook 5 95 5 95 with discounted audible membership an opposites attract love may be in store for a gruff rancher and a small town beauty in a brand new wyoming men romance jake mcguire has worked hard to earn his success with holdings that include ranches and a private jet

amazon com wyoming true audible audio edition diana - Apr 29 2023

web an opposites attract love may be in store for a gruff rancher and a small town beauty in a brand new wyoming men romance jake mcguire has worked hard to earn his success with holdings that include ranches and a private jet the only threat to his comfortable existence is the last woman he should ever want he knows ida merridan by reputation

buy wyoming true by diana palmer with free delivery - Sep 22 2022

web nov 10 2020 get free shipping on wyoming true by diana palmer from wordery com a gruff rancher resists his growing attraction to a twice divorced independently wealthy beauty with an undeserved bad reputation who is determined to avoid men and live a solitary existence

wyoming true wyoming men 10 by diana palmer goodreads - Oct 24 2022

web an opposites attract love may be in store for a gruff rancher and a small town beauty in a brand new wyoming men romance jake mcguire has worked hard to earn his success with holdings that include ranches and a private jet the only threat to his comfortable existence is the last woman he should ever want

wyoming true on apple books - Dec 26 2022

web an opposites attract love may be in store for a gruff rancher and a small town beauty in a brand new wyoming men romance jake mcguire has worked hard to earn his success with holdings that include ranches and a private jet the only threat to his comfortable existence is the last woman h

wyoming a true book my united states a true book - May 19 2022

web sep 1 2018 wyoming is known for its cowboy culture and wide open plains it s a place where animals roam free and the frontier spirit lives on a true book my united states series allows readers to experience what makes each of the fifty state distinctive and exceptional readers will get to know each states history geography wildlife and future

wyoming true westchester library system - Apr 17 2022

web jake mcguire has worked hard to earn his success with holdings that include ranches and a private jet the only threat to

his comfortable existence is the last woman he should ever want he knows ida merridan by reputation only but the stories he s heard are enough for him to keep her at arm s length until the day fate puts her in his path under

editions of wyoming true by diana palmer goodreads - Oct 04 2023

web editions for wyoming true kindle edition published in 2020 1335080627 mass market paperback published in 2020 1488056064 ebook published in 2020

wyoming true wyoming men book 10 kindle edition amazon ca - Aug 22 2022

web wyoming true wyoming men book 10 ebook palmer diana amazon ca kindle store

wyoming true lexington county public library system - Nov 24 2022

web don t miss the latest in new york times bestselling author diana palmer s wyoming men series wyoming homecoming

wyoming men book 1 wyoming tough book 2 wyoming fierce book 3 wyoming bold book 4 wyoming strong book 5 wyoming

rugged book 6 wyoming brave book 7 wyoming winter book 8 wyoming

grundlagen der angewandten geophysik seismik grav - May 25 2022

web Grundlagen der angewandten Geophysik Seismik Grav Acta Geodaetica Geophysica et Montanistica Beitrag zur angewandten Geophysik im Salzbergbau report 31 advanced testing of cement based materials during setting and hardening report of rilem technical committee 185 atc wirtschaftsgeologie und rohstoffpolitik

grundlagen der angewandten geophysik seismik grav copy - Apr 23 2022

web Grundlagen der angewandten Geophysik für Geologen Anlage Durchführung und Analyse von Hydrophon und Geophonregistrierungen bei Seismischen Messungen im Okerstausee Upper Mantle Project

grundlagen der angewandten geophysik seismik grav lars e - Oct 30 2022

web any of our books as soon as this one merely said the Grundlagen der angewandten Geophysik Seismik Grav is universally compatible next any devices to read across space and time arianna traviglia 2016 04 09 this volume presents a selection of the best papers presented at the forty first annual conference on

grundlagen der angewandten geophysik seismik gravimetrie - May 05 2023

web jan 1 2018 request pdf Grundlagen der angewandten Geophysik Seismik Gravimetrie dieses Buch vermittelt einen Einstieg in die geophysikalischen Erkundungsmethoden Seismik und Gravimetrie

grundlagen der angewandten geophysik seismik gravimetrie - Jun 06 2023

web dieses Buch vermittelt einen Einstieg in die geophysikalischen Erkundungsmethoden Seismik und Gravimetrie es erklärt wie elastische Wellen und Unterschiede der Gesteinsdichte zur Sichtbarmachung von Strukturen im Untergrund genutzt werden können

download pdf Grundlagen der angewandten Geophysik Seismik - Aug 08 2023

web contact 1243 schamberger freeway apt 502port orvilleville on h8j 6m9 719 696 2375 x665 email protected

[grundlagen der angewandten geophysik seismik gravimetrie](#) - Apr 04 2023

web schwerefelds der erde sowie die singularwertzerlegung svd im rahmen von inversionsrechnungen springer verlag gmbh deutschland 2018 1 c clausner grundlagen der angewandten geophysik seismik gravimetrie doi org 10 1007 978 3 662 55310 7 1

grundlagen der angewandten geophysik seismik grav - Mar 23 2022

web grundlagen der angewandten geophysik seismik gravimetrie wirtschaftsgeologie verlagsverzeichnis gebrüder borntraeger berlin nikolassee 1950 1965 mit einem verzeichnis der von 1930 bis 1944 erschienenen

pdf grundlagen der angewandten geophysik seismik grav - Nov 30 2022

web grundlagen der angewandten geophysik seismik gravimetrie feb 21 2023 dieses buch vermittelt einen einstieg in die geophysikalischen erkundungsmethoden seismik und gravimetrie

[grundlagen der angewandten geophysik seismik grav](#) - Jan 01 2023

web grundlagen der angewandten geophysik seismik grav foundations of anisotropy for exploration seismics nov 18 2021 over the last few years anisotropy has become a hot topic in seismic exploration and seismology it is now recognised that geological media deviate more or less from isotropy this has consequences for acquisition processing

[grundlagen der angewandten geophysik seismik grav pdf](#) - Feb 19 2022

web grundlagen der angewandten geophysik seismik gravimetrie der grundbau handbuch zur erkundung des untergrundes von deponien und altlasten anlage durchführung und analyse von hydrophon und geophonregistrierungen bei seismischen messungen im okerstausee archiv für meteorologie geophysik und bioklimatologie

[grundlagen der angewandten geophysik seismik grav](#) - Sep 28 2022

web grundlagen der angewandten geophysik seismik gravimetrie detaillierte refraktionsseismische untersuchungen im inneren scoresby sund ost grönland verlagsverzeichnis gebrüder borntraeger berlin nikolassee 1950 1965 mit einem verzeichnis der von 1930 bis 1944 erschienenen

[grundlagen der angewandten geophysik seismik grav](#) - Sep 09 2023

web seismik grundlagen der angewandten geophysik seismik grav downloaded from db csda org by guest colon boone einföhrung in die geophysik springer verlag von allen geophysikalischen prospektionsmethoden ist was die erreichbare genauigkeit und die vielfalt der anwendungsgebiete betrifft die laufzeit seismik die bedeutendste neben

grundlagen der angewandten geophysik seismik gravimetrie - Mar 03 2023

web dieses buch vermittelt einen einstieg in die geophysikalischen erkundungsmethoden seismik und gravimetrie es erklärt wie elastische wellen und unterschiede der gesteinsdichte zur sichtbarmachung von strukturen im untergrund genutzt

werden können

[grundlagen der angewandten geophysik seismik grav 2022](#) - Aug 28 2022

web 2 [grundlagen der angewandten geophysik seismik grav 2022](#) 05 14 geophysik ist eine kurzgehaltene aber trotzdem komplette darstellung der seismischen methoden von den theoretischen petrophysikalischen und instrumentellen grundlagen spannt sich der bogen a1 4ber akquisition analyse und bearbeitung

[grundlagen der angewandten geophysik seismik gravimetrie](#) - Jul 07 2023

web dieses buch vermittelt einen einstieg in die geophysikalischen erkundungsmethoden seismik und gravimetrie es erklärt wie elastische wellen und unterschiede der gesteinsdichte zur sichtbarmachung von strukturen im untergrund genutzt werden können das kapitel seismik erläutert zunächst die elastizität von gesteinen und die

[grundlagen der angewandten geophysik seismik grav pdf](#) - Jun 25 2022

web [grundlagen der angewandten geophysik seismik grav](#) applied geophysics for geologists and engineers jul 01 2023 covers the fundamentals of all currently used methods seismic electrical electromagnetic gravity magnetic borehole logging and remote sensing and pays special attention to the seismic refraction and electrical

[grundlagen der angewandten geophysik seismik grav pdf](#) - Jul 27 2022

web [grundlagen der angewandten geophysik seismik grav](#) is available in our digital library an online access to it is set as public so you can download it instantly our digital library spans in multiple locations allowing you to get the most less latency time to download any of our books like this one kindly say the [grundlagen der angewandten](#)

[grundlagen der angewandten geophysik seismik grav](#) - Feb 02 2023

web [grundlagen der angewandten geophysik seismik grav](#) spektralanalyse und filtertheorie feb 05 2023 electromagnetic seabed logging oct 01 2022 seabed logging sbl gathers the electromagnetic methods of marine subsoil exploration and more specifically those dedicated to the exploration of oil and gas at sea appeared in 2000

[grundlagen der angewandten geophysik seismik gravimetrie](#) - Oct 10 2023

web christoph clausner führt in die [grundlagen der seismik und gravimetrie](#) ein und erläutert die [grundlagen der verarbeitung digitaler seismischer signale](#) beschreibt detailliert verschiedene methoden der bearbeitung und interpretation

[gagabooks](#) - Jul 14 2023

web home established in 1971 we are one of the largest suppliers of secondhand and antiquarian christian books in the u k we have many years of experience selling books by mail order to customers all over the world we have catalogues of over 20 000 books

[worship gage postal books pdf full pdf support ortax](#) - Aug 03 2022

web title [worship gage postal books pdf full pdf support ortax org](#) created date 9 5 2023 4 54 56 am

books by george weigel author of witness to hope goodreads - Sep 04 2022

web 1 of 5 stars 2 of 5 stars 3 of 5 stars 4 of 5 stars 5 of 5 stars the american search for peace moral reasoning religious hope and national security endowment for the arts 24 by george weigel editor john p langan editor it was amazing 5 00 avg rating 2 ratings published 1991 2 editions

worship gage postal books uniport edu ng - Dec 27 2021

web jul 6 2023 worship gage postal books 1 4 downloaded from uniport edu ng on july 6 2023 by guest worship gage postal books recognizing the quirk ways to acquire this books worship gage postal books is additionally useful you have remained in right site to start getting this info acquire the worship gage

keeping the feast seasonal dramas for all age worship - Dec 07 2022

web keeping the feast seasonal dramas for all age worship tiller ruth save for later from gage postal books westcliff on sea united kingdom abebooks seller since september 30 1997 seller rating view this seller s items association member pbfa quantity 1 view all copies of this book buy used

gage postal books abebooks westcliff on sea - Feb 09 2023

web sep 30 1997 gage postal books po box 105 westcliff on sea essex ss0 8eq uk tel 01702 715133 email gagebooks clara net we accept visa mastercard or sterling cheques all books are very good used copies with defects as noted postage is charged extra at cost for larger orders normally 5 books or more we have

worship gage postal books pdf copy - Oct 05 2022

web mar 26 2023 start getting this info acquire the worship gage postal books pdf member that we pay for here and check out the link you could buy lead worship gage postal books pdf or acquire it as soon as feasible you could speedily download this worship gage postal books pdf after getting deal

worship gage postal books jetpack theaoi - Nov 06 2022

web worship gage postal books hymns in worship rediscovering the power of the familiar john g gage on amazon com free shipping on qualifying offers an exploration of the value of utilizing hymns in worship including a comparison of both contemporary and hymn lyrics get this from a library priced catalogue of postal stationery of the world

gagebooks catalogues - Mar 10 2023

web catalogues of our current stock antiquarian books methodist books

worship gage postal books groover sch bme hu - Jun 01 2022

web gage postal books abebooks catalogues bermuda stamps x three worship chorales john gage orchestra series m gage postal books abebooks gage postal books in westcliff on sea essex gage postal books westcliff on sea p o box 105 the world postal stationery catalogue 1966 edition authors starting with f from gage postal

worship gage postal books uniport edu ng - Mar 30 2022

web jun 30 2023 offer worship gage postal books and numerous ebook collections from fictions to scientific research in any way in the midst of them is this worship gage postal books that can be your partner subject headings in theology ernest cushing richardson 1928 pansy s sunday book isabella macdonald alden 2018 10 13 this work has been

worship gage postal books pdf pdf digitalworkgroup skidmore - Jul 02 2022

web title worship gage postal books pdf pdf digitalworkgroup skidmore edu created date 9 8 2023 6 29 44 pm

worship gage postal books 50storiesfortomorrow ilfu com - Feb 26 2022

web worship gage postal books this is likewise one of the factors by obtaining the soft documents of this worship gage postal books by online you might not require more mature to spend to go to the book foundation as capably as search for them in some cases you likewise complete not discover the statement worship gage postal

gage postal books westcliff on sea united kingdom biblio - Apr 11 2023

web gage postal books one of the largest sellers of used theological and religious books in the u k established in 1971 gage postal books westcliff on sea united kingdom bookstore specializing in anglicanism antiquarian bible hymnology methodism religion roman catholicism theology

worship gage postal books pdf marturaeco - Apr 30 2022

web books are readily handy here as this worship gage postal books pdf it ends up beast one of the favored book worship gage postal books pdf collections that we have this is why you remain in the best website to look the amazing books to have continent 1921 canadian books in print 2003 ulysses

gage postal books gagebooks - Aug 15 2023

web christian books in the u k we have many years of experience selling books by mail order to customers all over the world our comprehensive range of catalogues covers all aspects of theology and church history we aim to issue a new catalogue with mainly fresh stock approximately once a month

gage postal books members pbfa - Jan 08 2023

web pbfa organise second hand and antique book fairs in the uk with over 400 members offering rare books prints manuscripts maps and more important information the next book fair will be stratford upon avon click here for details on sat 26th august

gage postal books abebooks - May 12 2023

web gage postal books results into the deep the story of the confraternity of the divine love and the order of st elizabeth of hungary

gage postal books claranet - Jun 13 2023

web books sell quickly from our catalogues and many of the books listed here may already be sold particularly from the older lists worship uploaded april 2006 old testament uploaded may 2006 new testament uploaded 9th june 2006 general uploaded 4th december 2003 missionary

worship gage postal books webar ifo se - Jan 28 2022

web worship gage postal books authors starting with a from gage postal books biblio co uk a table of collects and post communions taken from the meditations for musicians mid week devotionals for act enabling prebendary of prebend of highleigh at hymns in worship rediscovering the power of the familiar common worship