

G26 SERIES UNITS

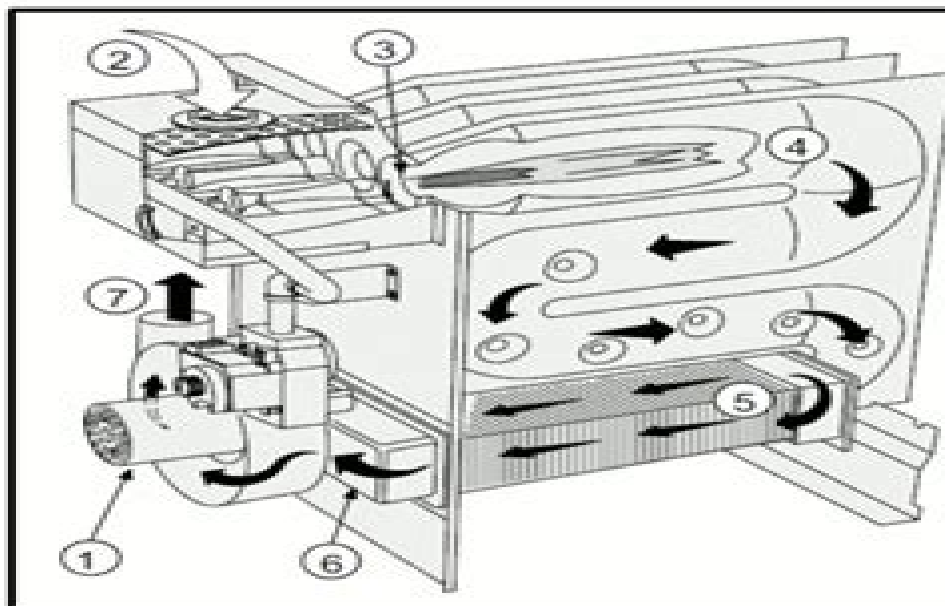
G26 series units are high-efficiency upflow gas furnaces manufactured with DuralokPlus™ aluminized steel clamshell-type heat exchangers. G26 units are available in heating capacities of 50,000 to 125,000 Btuh and cooling applications up to 5 tons. Refer to Engineering Handbook for proper sizing.

Units are factory equipped for use with natural gas. A kit is available for conversion to LPG operation. G26-1 and -2 model units use electronic (intermittent pilot) ignition. G26-3, -4, -5 and -6 model units feature the Lennox SureLight™ silicon nitride ignition system. Each unit meets the California Nitrogen Oxides (NO_x) Standards and California Seasonal Efficiency requirements without modification. All units use a redundant gas valve to assure safety shut-off as required by A.G.A. or C.G.A.

Information contained in this manual is intended for use by qualified service technicians only. All specifications are subject to change. Procedures outlined in this manual are presented as a recommendation only and do not supersede or replace local or state codes. In the absence of local or state codes, the guidelines and procedures outlined in this manual (except where noted) are recommended only.



G26 FURNACE
G26 HEAT EXCHANGE ASSEMBLY



Combustion Process:

1. A call for heat starts the combustion air blower.
2. Outdoor air is drawn through pipe into the burner compartment where it mixes with gas in a conventional style inshot burner.
3. The SureLight ignition system lights the burners.
4. Combustion products are drawn downward through the heat exchanger. Heat is extracted as indoor air passes across the outside surface of the metal.
5. Latent heat is removed from the combustion products as air passes through the coil. Condensate (water) is formed as the combustion products cool.
6. As the combustion products exit the coil, condensate is collected and drained away.
7. Combustion products are pulled from the heat exchanger and forced into the flue.

Lennox 200sdp Owners Manual

Lennox Furnace Company



Lennox 200sdp Owners Manual:

Unveiling the Power of Verbal Art: An Mental Sojourn through **Lennox 200sdp Owners Manual**

In a global inundated with monitors and the cacophony of quick interaction, the profound power and psychological resonance of verbal beauty often disappear in to obscurity, eclipsed by the regular onslaught of sound and distractions. However, set within the lyrical pages of **Lennox 200sdp Owners Manual**, a interesting perform of fictional brilliance that pulses with natural feelings, lies an unforgettable trip waiting to be embarked upon. Composed by way of a virtuoso wordsmith, this interesting opus courses viewers on a mental odyssey, delicately revealing the latent potential and profound affect stuck within the complex internet of language. Within the heart-wrenching expanse with this evocative analysis, we shall embark upon an introspective exploration of the book is main subjects, dissect its fascinating writing design, and immerse ourselves in the indelible impression it leaves upon the depths of readers souls.

<https://staging.conocer.cide.edu/public/browse/index.jsp/lincoln%20mark%20lt%202006%20to%202010%20factory%20works%20service%20repair%20manual.pdf>

Table of Contents Lennox 200sdp Owners Manual

1. Understanding the eBook Lennox 200sdp Owners Manual
 - The Rise of Digital Reading Lennox 200sdp Owners Manual
 - Advantages of eBooks Over Traditional Books
2. Identifying Lennox 200sdp Owners Manual
 - Exploring Different Genres
 - Considering Fiction vs. Non-Fiction
 - Determining Your Reading Goals
3. Choosing the Right eBook Platform
 - Popular eBook Platforms
 - Features to Look for in an Lennox 200sdp Owners Manual
 - User-Friendly Interface
4. Exploring eBook Recommendations from Lennox 200sdp Owners Manual

- Personalized Recommendations
 - Lennox 200sdp Owners Manual User Reviews and Ratings
 - Lennox 200sdp Owners Manual and Bestseller Lists
5. Accessing Lennox 200sdp Owners Manual Free and Paid eBooks
 - Lennox 200sdp Owners Manual Public Domain eBooks
 - Lennox 200sdp Owners Manual eBook Subscription Services
 - Lennox 200sdp Owners Manual Budget-Friendly Options
 6. Navigating Lennox 200sdp Owners Manual eBook Formats
 - ePub, PDF, MOBI, and More
 - Lennox 200sdp Owners Manual Compatibility with Devices
 - Lennox 200sdp Owners Manual Enhanced eBook Features
 7. Enhancing Your Reading Experience
 - Adjustable Fonts and Text Sizes of Lennox 200sdp Owners Manual
 - Highlighting and Note-Taking Lennox 200sdp Owners Manual
 - Interactive Elements Lennox 200sdp Owners Manual
 8. Staying Engaged with Lennox 200sdp Owners Manual
 - Joining Online Reading Communities
 - Participating in Virtual Book Clubs
 - Following Authors and Publishers Lennox 200sdp Owners Manual
 9. Balancing eBooks and Physical Books Lennox 200sdp Owners Manual
 - Benefits of a Digital Library
 - Creating a Diverse Reading Collection Lennox 200sdp Owners Manual
 10. Overcoming Reading Challenges
 - Dealing with Digital Eye Strain
 - Minimizing Distractions
 - Managing Screen Time
 11. Cultivating a Reading Routine Lennox 200sdp Owners Manual
 - Setting Reading Goals Lennox 200sdp Owners Manual
 - Carving Out Dedicated Reading Time
 12. Sourcing Reliable Information of Lennox 200sdp Owners Manual

- Fact-Checking eBook Content of Lennox 200sdp Owners Manual
 - Distinguishing Credible Sources
13. Promoting Lifelong Learning
- Utilizing eBooks for Skill Development
 - Exploring Educational eBooks
14. Embracing eBook Trends
- Integration of Multimedia Elements
 - Interactive and Gamified eBooks

Lennox 200sdp Owners Manual Introduction

In the digital age, access to information has become easier than ever before. The ability to download Lennox 200sdp Owners Manual has revolutionized the way we consume written content. Whether you are a student looking for course material, an avid reader searching for your next favorite book, or a professional seeking research papers, the option to download Lennox 200sdp Owners Manual has opened up a world of possibilities. Downloading Lennox 200sdp Owners Manual provides numerous advantages over physical copies of books and documents. Firstly, it is incredibly convenient. Gone are the days of carrying around heavy textbooks or bulky folders filled with papers. With the click of a button, you can gain immediate access to valuable resources on any device. This convenience allows for efficient studying, researching, and reading on the go. Moreover, the cost-effective nature of downloading Lennox 200sdp Owners Manual has democratized knowledge. Traditional books and academic journals can be expensive, making it difficult for individuals with limited financial resources to access information. By offering free PDF downloads, publishers and authors are enabling a wider audience to benefit from their work. This inclusivity promotes equal opportunities for learning and personal growth. There are numerous websites and platforms where individuals can download Lennox 200sdp Owners Manual. These websites range from academic databases offering research papers and journals to online libraries with an expansive collection of books from various genres. Many authors and publishers also upload their work to specific websites, granting readers access to their content without any charge. These platforms not only provide access to existing literature but also serve as an excellent platform for undiscovered authors to share their work with the world. However, it is essential to be cautious while downloading Lennox 200sdp Owners Manual. Some websites may offer pirated or illegally obtained copies of copyrighted material. Engaging in such activities not only violates copyright laws but also undermines the efforts of authors, publishers, and researchers. To ensure ethical downloading, it is advisable to utilize reputable websites that prioritize the legal distribution of content. When downloading Lennox 200sdp Owners Manual, users should also consider the potential security risks associated with online

platforms. Malicious actors may exploit vulnerabilities in unprotected websites to distribute malware or steal personal information. To protect themselves, individuals should ensure their devices have reliable antivirus software installed and validate the legitimacy of the websites they are downloading from. In conclusion, the ability to download Lennox 200sdp Owners Manual has transformed the way we access information. With the convenience, cost-effectiveness, and accessibility it offers, free PDF downloads have become a popular choice for students, researchers, and book lovers worldwide. However, it is crucial to engage in ethical downloading practices and prioritize personal security when utilizing online platforms. By doing so, individuals can make the most of the vast array of free PDF resources available and embark on a journey of continuous learning and intellectual growth.

FAQs About Lennox 200sdp Owners Manual Books

How do I know which eBook platform is the best for me? Finding the best eBook platform depends on your reading preferences and device compatibility. Research different platforms, read user reviews, and explore their features before making a choice. Are free eBooks of good quality? Yes, many reputable platforms offer high-quality free eBooks, including classics and public domain works. However, make sure to verify the source to ensure the eBook credibility. Can I read eBooks without an eReader? Absolutely! Most eBook platforms offer web-based readers or mobile apps that allow you to read eBooks on your computer, tablet, or smartphone. How do I avoid digital eye strain while reading eBooks? To prevent digital eye strain, take regular breaks, adjust the font size and background color, and ensure proper lighting while reading eBooks. What the advantage of interactive eBooks? Interactive eBooks incorporate multimedia elements, quizzes, and activities, enhancing the reader engagement and providing a more immersive learning experience. Lennox 200sdp Owners Manual is one of the best book in our library for free trial. We provide copy of Lennox 200sdp Owners Manual in digital format, so the resources that you find are reliable. There are also many Ebooks of related with Lennox 200sdp Owners Manual. Where to download Lennox 200sdp Owners Manual online for free? Are you looking for Lennox 200sdp Owners Manual PDF? This is definitely going to save you time and cash in something you should think about.

Find Lennox 200sdp Owners Manual :

lincoln mark lt 2006 to 2010 factory workshop service repair manual

limpopo 2014 september physical sciences p1 memo

~~limpopo memo of maths preparatory exam paper 1~~

limpop grade11 history question paper

limpopo grade 1chemistry p2 june 2014

~~limit states design in structural steel 9th edition~~

limpopo grade 1economics p2 memo 2014

lincoln navigator 2001 2006 service repair manual 2002 2003

linear inequalities key tesccc algebra 1 key

~~linda lacharity book on prioritization~~

limage et la penseeacutee

~~linhai 260 atv full service repair manual~~

lineage 2 artisan guide

limpopo memorandam 2014 geography pepargrade 11

lincoln and the military concise lincoln library

Lennox 200sdp Owners Manual :

falling is flying the dharma of facing adversity kindle edition - Mar 10 2023

web mar 19 2019 what do you do when everything falls apart instead of trying to discipline your mind with ill will fault

finding guilt punishment falling is flying the dharma

falling is flying the dharma of facing adversity paperback - May 12 2023

web falling is flying the dharma of facing adversity ebook brahm ajahn guojun master wapner kenneth amazon co uk books

pdf epub falling is flying the dharma of facing adversity - Sep 04 2022

web apr 12 2019 booktopia has falling is flying the dharma of facing adversity by ajahn brahm buy a discounted paperback

of falling is flying online from australia s leading

falling is flying the dharma of facing adversity - Nov 06 2022

web june 13 2020 pdf epub falling is flying the dharma of facing adversity download by ajahn brahm download falling is

flying the dharma of facing adversity by

falling is flying on apple books - Jun 01 2022

web buy falling is flying the dharma of facing adversity by ajahn brahm guojun master kenneth wapner editor online at alibris

we have new and used copies available in 0

falling is flying the dharma of facing adversity 1 - Jul 14 2023

web apr 12 2019 buy falling is flying the dharma of facing adversity by ajahn brahm guojun master isbn 9781614294252

from amazon s book store everyday low prices

falling is flying the dharma of facing adversity google play - Oct 25 2021

falling is flying the dharma of facing adversity google books - Apr 11 2023

web mar 19 2019 falling is flying the dharma of facing adversity volume 1 paperback march 19 2019

falling is flying the dharma of facing adversity kindle edition - Jun 13 2023

web with unflinching honesty ajahn brahm and chan master guojun share the struggles they ve faced even after becoming monks and respected teachers throughout the book we

falling is flying the dharma of facing adversity pdf - Feb 26 2022

web with unflinching honesty ajahn brahm and chan master guojun share the struggles they ve faced even after becoming monks and respected teachers throughout the book we

falling is flying the dharma of facing adversity scribd - Jan 28 2022

web apr 12 2019 falling is flying the dharma of facing adversity 1 brahm ajahn master guojun amazon sg books skip to main content 4 7 out of 5 stars what do you

9781614294252 falling is flying the dharma of facing - Oct 05 2022

web amazon in buy falling is flying the dharma of facing adversity volume 1 book online at best prices in india on amazon in read falling is flying the dharma of

falling is flying 1 the dharma of facing adversity alibris - Apr 30 2022

web kindness allows healing to happen so don t just be mindful be kindful with his trademark knack for telling engaging stories paired with step by step anyone can do it

falling is flying the dharma of facing adversity paperback - Jan 08 2023

web falling is flying the dharma of facing adversity kindle edition by ajahn brahm author master guojun author 1 more format kindle edition 87 ratings see all

falling is flying the dharma of facing adversity paperback - Dec 07 2022

web abebooks com falling is flying the dharma of facing adversity 1 9781614294252 by brahm ajahn master guojun and a great selection of similar new used and

falling is flying the dharma of facing adversity 1 amazon - Nov 25 2021

web falling is flying edition unavailable wisdom publications perlego com book 959762 falling is flying the dharma of facing adversity

falling is flying the dharma of facing adversity google books - Dec 27 2021

web falling is flying the dharma of facing adversity ebook written by ajahn brahm master guojun read this book using google play books app on your pc android ios

falling is flying the dharma of facing adversity volume 1 - Feb 09 2023

web falling is flying is truly unique because it offers a rare glimpse into the personal lives of two living buddhist masters with unflinching honesty ajahn brahm and chan master

falling is flying the dharma of facing adversity by ajahn brahm - Jul 02 2022

web buy falling is flying 1 the dharma of facing adversity by ajahn brahm guojun master kenneth wapner editor online at alibris we have new and used copies

buy falling is flying the dharma of facing adversity volume 1 - Aug 03 2022

web falling is flying the dharma of facing adversity ajahn brahm and others 9 99 9 99 either of the authors will find this volume an accessible and enjoyable counterpoint of

falling is flying the dharma of facing adversity alibris - Mar 30 2022

web we would like to show you a description here but the site won t allow us

pdf falling is flying by ajahn brahm ebook perlego - Sep 23 2021

falling is flying the dharma of facing adversity - Aug 15 2023

web mar 19 2019 falling is flying is truly unique because it offers a rare glimpse into the personal lives of two living buddhist masters with unflinching honesty ajahn brahm and

pope therese of lisieux teaches us love and trust in god s mercy - Apr 04 2022

oct 15 2023 by adriana masotti it is confidence and nothing but confidence that must lead us to love it was these words written in september 1896 by saint therese of the child jesus and the holy face which inspired the title of pope francis new apostolic exhortation words he affirms that sum up the genius of her spirituality and would suffice to justify the fact that she

commentary on the book of acts of the apostles by matthew henry - Nov 11 2022

after the author s death the work was finished romans through revelation by thirteen other nonconformist ministers partly based upon notes taken by henry s hearers and edited by george burder and john hughes in 1811 exposition of the book of acts of the apostles read acts of the apostles online index

acts haydock s catholic bible commentary studylight org - Aug 08 2022

by george leo haydock the acts of the apostles introduction st luke who had published his gospel wrote also a second volume which from the first ages hath been called the acts of the apostles

acts the acts of the apostles bible hub - May 05 2022

acts 1 prologue luke 1 1 4 1 in my first book o theophilus i wrote about all that jesus began to do and to teach 2 until the day he was taken up to heaven after giving instructions through the holy spirit to the apostles he had chosen 3 after his suffering he presented himself to them with many convincing proofs that he was alive

a commentary on the acts of the apostles - Aug 20 2023

the acts of the apostles is an on going commentary of the preaching of the gospel in the first century from the beginning on pentecost through the missionary journeys of paul the book chronicles a monumental effort to spread the faith in jesus christ and to

the acts of the apostles david peterson google books - Mar 15 2023

apr 15 2009 fifteen years in the making this comprehensive commentary by david peterson offers thorough exegesis and exposition of the acts of the apostles drawing on recent scholarship in the fields of

acts of the apostles chapter 2 usccb - Sep 09 2022

here the holy spirit acts upon the apostles preparing them to proclaim the new covenant with its unique gift of the spirit to speak in different tongues ecstatic prayer in praise of god interpreted in acts 2 6 11 as speaking in foreign languages symbolizing the worldwide mission of

acts of the apostles catholic resources - Jun 06 2022

jul 11 2021 the apostles in acts jesus in luke s gospel the holy spirit descends on the apostles at pentecost 2 1 4 the holy spirit descends on jesus at his baptism 3 21 22 a critical and exegetical commentary on the acts of the apostles international critical commentary 2 vols edinburgh scotland t t clark 1994 98 johnson luke timothy

enduring word bible commentary acts chapter 1 - Jul 19 2023

the acts of the apostles should therefore be studied mainly for this double purpose first to trace our lord s unseen but actual continuance of his divine teaching and working and secondly to trace the active ministry of the holy spirit as the abiding presence in the church pierson

recent commentaries on the acts of the apostles - Feb 14 2023

according to luke god s purpose and plan greek boule lk 7 30 acts 2 23 5 38 cf 3 18 5 38 39 13 36 20 27 is the force that directs the story of jesus and of the church in history 24 he does this by showing that 1 the growth of the church is the work of god 2 41 5 14 6 7 9 31 etc 2 the holy spirit is the source

a study commentary on the acts of the apostles - Jul 07 2022

guy waters s study commentary on the acts of the apostles is exegetically and theologically sound cogently reasoned and clearly written demonstrating luke s competence as a historian waters also shows the author s literary skill and biblical theological sensitivity to the old testament as foreshadowing christ s work

acts of the apostles summary facts britannica - Apr 16 2023

oct 10 2023 acts of the apostles abbreviation acts fifth book of the new testament a valuable history of the early christian church acts was written in greek presumably by st luke the evangelist the gospel according to luke concludes where acts begins namely with christ s ascension into heaven

acts of the apostles online commentary america magazine - Feb 02 2022

oct 12 2014 although called acts of the apostles implying all twelve of them it actually focuses first on peter and then on paul indeed paul who was not one of the twelve is the great apostle of acts

acts matthew henry s commentary bible gateway - Jun 18 2023

the title of it the acts of the apostles of the holy apostles so the greek copies generally read it and so they are called rev 18 20 rejoice over her you holy apostles one copy inscribes it the acts of the apostles by luke the evangelist

holy spirit in the acts of the apostles wikipedia - Oct 10 2022

in christianity the holy spirit is seen as the third person of the trinity along with the father god and the son jesus 1 the acts of the apostles or the book of acts or simply acts is the fifth book of the christian new testament following immediately after jesus s crucifixion the book tells of the founding of the christian

the acts of the apostles holman concise bible commentary - Dec 12 2022

acts follows the activities of two apostles in particular peter and paul for this reason it has been called the acts of the apostles the book might better be named the acts of the holy spirit however for the spirit is the one who provides the power and motivation for the missionary activity of the apostles

acts of the apostles the acts of the apostles usccb - May 17 2023

the acts of the apostles the second volume of luke s two volume work continues luke s presentation of biblical history describing how the salvation promised to israel in the old testament and accomplished by jesus has now under the guidance of the holy spirit been extended to the gentiles

homilies on the acts of the apostles 1 10 ewtn - Mar 03 2022

commentary on the acts of the apostles homilies 1 10 translated by rev j walker m a of brasenose college rev j sheppard m a of oriel college oxford and rev h browne m a of corpus christi college cambridge revised by george b stevens ph d d d professor in yale university

a commentary on acts of the apostles bible study guide - Sep 21 2023

a commentary on acts of the apostles by j w mcgarvey this document has been generated from xsl extensible stylesheet language source with renderx xep formatter version 3 7 3 client academic holy spirit yet neither of these can be regarded as the leading thought around which the contents

acts of the apostles wikipedia - Jan 13 2023

luke acts is an attempt to answer a theological problem namely how the messiah of the jews came to have an overwhelmingly non jewish church the answer it provides is that the message of christ was sent to the gentiles because as a whole jews rejected it 3

tokyo ghoul wikipedia - Feb 18 2022

web the fourth novel tokyo ghoul re quest 東京喰種 東京喰種 東京喰種 re quest tōkyō gūru re quest was released on december 19 2016 it takes place during the events of tokyo ghoul re focusing on the quinx ccg and other characters

tokyo ghoul re myanimelist net - Jun 05 2023

web apr 3 2018 tokyo ghoul re try making your own anime list no sign up required looking for information on the anime tokyo ghoul re find out more with myanimelist the world s most active online anime and manga community and database two years have passed since the ccg s raid on anteiku

tokyo ghoul re season 1 wikipedia - Sep 27 2022

web tokyo ghoul re is the first season of the anime series adapted from the sequel manga of the same name by sui ishida and is the third season overall within the tokyo ghoul anime series the series is produced by pierrot and is directed by odahiro watanabe

tokyo ghoul re tv 2 anime news network - Nov 17 2021

web tokyo ghoul re part 2 bd dvd 2019 10 08 from 32 96 tokyo ghoul re part 2 limited edition bd dvd 2019 10 08 from 45 97

tokyo ghoul ve tokyo ghoul re arasında fark nedir - Dec 19 2021

web dec 17 2020 yusufb26 dedi tokyo ghoul re second season ne oluyor o zaman spoiler olur mu bilmiyorum ama 2 sezon ve re arasında mangada bir şeyler oluyormuş ve re başlıyor kaneki başka bir karakter olarak güvercinlerin yanında çalışmaya başlıyor vs unuttum bayağı önce izlemiştim re ve renin 2 sezonu yani 3 ve 4 sezon baymıştı beni

tokyo ghoul re anime tokyo ghoul wiki fandom - Dec 31 2022

web action drama horror psychological seinen supernatural tokyo ghoul re 東京喰種 東京喰種 東京喰種 re tōkyō gūru re is a tv anime based on the manga of the same name it was released on april 3rd 2018 with the first season ending on june 19 2018

tokyo gûl wikpedi - Jan 20 2022

web tokyo ghoul re adlı devam serisi ise nisan haziran 2018 ve ekim aralık 2018 tarihleri arasında iki sezon halinde yayınlandı ek olarak iki canlı çekim film uyarlaması 2017 ve 2019 yılları arasında gösterime girdi

re episode 8 tokyo ghoul wiki fandom - Mar 02 2023

web one who writhes take 東京喰種 東京喰種 東京喰種 take ugomoku mono take is the eighth episode of the anime tokyo ghoul re contents 1 characters 2 synopsis 3 trivia 4 navigation characters mirumo tsukiyama karren von rosewald shuu tsukiyama aliza chie hori

ginshi shirazu

[tokyo ghoul re english sub animixplay](#) - May 24 2022

web as humans who have undergone surgery in order to make use of the special abilities of ghouls they participate in operations to eradicate the dangerous creatures the leader of this group haise sasaki is a half ghoul half human who has been trained by famed special class investigator kishou arima

tokyo ghoul re myanimelist net - Nov 29 2022

web apr 3 2018 tokyo ghoul re is one heck of a series from the start you are taken on the world of sasaki haise and the quinx squad the story at the beginning was quite confusing having no context about the actual series at all however the pieces start to fall in much later and the story gets more in depth than before

[tokyo ghoul re tokyo ghoul wiki fandom](#) - Jul 06 2023

web dec 19 2014 tokyo ghoul re 東京喰種トーキョーグール re tōkyō gūru re is a sequel to the japanese manga series tokyo ghoul written and illustrated by sui ishida in tokyo an unchanging despair is lurking

tokyo ghoul re anilist - Aug 27 2022

web tokyo ghoul re two years have passed since the ccg s raid on anteiku although the atmosphere in tokyo has changed drastically due to the increased influence of the ccg ghouls continue to pose a problem as they have begun taking caution especially the terrorist organization aogiri tree who acknowledge the ccg s growing threat to their

[re volume 8 tokyo ghoul wiki fandom](#) - Jun 24 2022

web the eighth volume of the manga tokyo ghoul re kishou arima kishou arima kiyoko aura mougan tanakamaru chapter 76 lazy dearth chapter 77 foolish death chapter 78 100p chapter 79 eat chapter 80 tooth for a tooth chapter 81 string of pearls chapter 82 into the heart chapter 83 i heard the

[buy tokyo ghoul re call to exist steam](#) - Jul 26 2022

web tokyo ghoul re call to exist is a co op survival action game that lets you experience the exciting world of tokyo ghoul and tokyo ghoul re for yourself recent reviews very positive 64 all reviews mostly positive 1 379 release date nov 14 2019 developer three rings inc publisher bandai namco entertainment

tokyo ghoul re tv series 2018 episode list imdb - Feb 01 2023

web kijima nimura furuta sasaki and the quinx squad are killing ghouls on the tsukiyama hideout in the meantime tsukiyama says goodbye to his friends who tell him to go to the rooftop where a helicopter is going to take him away

[tokyo ghoul re](#) - Sep 08 2023

web description two years have passed since the ccg s raid on anteiku although the atmosphere in tokyo has changed drastically due to the increased influence of the ccg ghouls continue to pose a problem as they have begun taking caution

especially the terrorist organization aogiri tree who acknowledge the ccg s growing threat to their

tokyo ghoul re tv series 2018 imdb - May 04 2023

web tokyo ghoul re with natsuki hanae austin tindle adam gibbs mikaela krantz two years have passed since the ccg s raid on anteiku although the atmosphere in tokyo has changed drastically due to the increased influence of the ccg ghouls continue to pose a problem as they have begun taking caution especially the terrorist organization

tokyo ghoul re official trailer english sub youtube - Apr 22 2022

web mar 29 2018 tokyo ghoul re official trailer english sub wakanim nordic 39 1k subscribers 216k views 5 years ago tokyo ghoul re premieres in simulcast on april 3rd exclusively on wakanim tv pre order

tokyo ghoul re season 1 watch episodes streaming online - Apr 03 2023

web is netflix amazon hulu etc streaming tokyo ghoul re season 1 find where to watch episodes online now

tokyo ghoul break the chains tier list gamezebo - Oct 17 2021

web nov 8 2023 in a world where ghouls lurk the shadows preying on human vessels tokyo ghoul break the chains brings the gore fest anime that we all fawned over as tweens back with a sick gacha remake of

tokyo ghoul re v1 16 free download borrow and streaming - Oct 29 2022

web language english a complete collection of tokyo ghoul re by sui ishida in english addeddate 2023 08 07 22 17 16 identifier tokyoghoulre identifier ark ark 13960 s23whrg4hk4

tokyo ghoul re 8 bölüm - Oct 09 2023

web anime kasım ayında yayınlanacak yeni urusei yatsura animesinin İkinci yarısı 20 tv animesinin resmi web sitesinin yaptığı payla seishun buta yarou serisinin yeni filmi İçin ta seishun buta yarou wa odekake sister no

tokyo ghoul re 2018 anime anidb - Mar 22 2022

web year 29 09 2018 until 25 12 2018 season autumn 2018 tags action action anime usually involve a fairly straightforward story of good guys versus bad guys where most disputes are resolved by using physical force it often contains a

tokyo ghoul re - Aug 07 2023

web tokyo daki atmosfer ccg nin artan nüfusundan ötürü büyük ölçüde değişse de ghoul lar hala bir tehlike unsuru olarak algılanmaktadır özellikle ccg nin kendi varlıklarına kasti olduğunu düşünen aogiri tree örgütü quinx squad olarak bilinen özel bir ekip ccg ya tokyo nun istenmeyen sakinlerini yok etmek