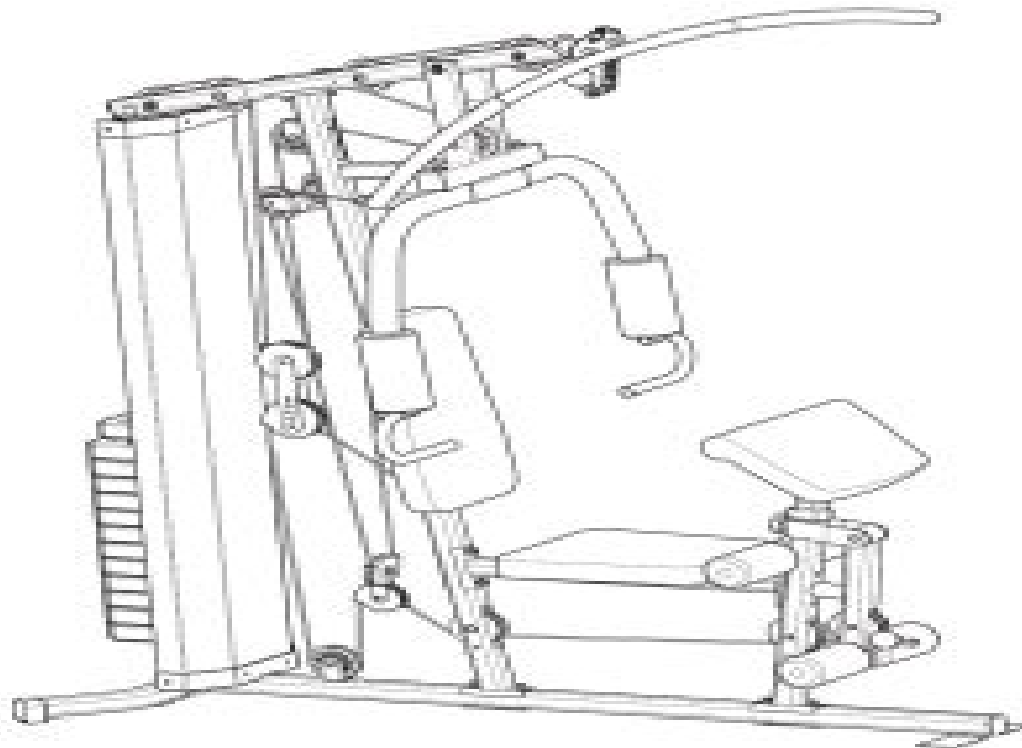


Home Gym

Assembly & User Instructions - Please keep for future reference

335/8230



maximuscle

Important – Please read these instructions fully before assembly or using

These instructions contain important information which will help you get the best from your equipment and ensure safe and correct assembly, use and maintenance.

If you need help or have damaged or missing parts, call the Customer Helpline: 08456 600 464

Maximuscle Gym Assembly Instructions

Tao Wei



Maximuscle Gym Assembly Instructions:

This is likewise one of the factors by obtaining the soft documents of this **Maximuscle Gym Assembly Instructions** by online. You might not require more times to spend to go to the ebook inauguration as with ease as search for them. In some cases, you likewise accomplish not discover the proclamation Maximuscle Gym Assembly Instructions that you are looking for. It will utterly squander the time.

However below, behind you visit this web page, it will be consequently agreed simple to acquire as skillfully as download guide Maximuscle Gym Assembly Instructions

It will not believe many period as we tell before. You can accomplish it while do something something else at home and even in your workplace. consequently easy! So, are you question? Just exercise just what we find the money for under as capably as review **Maximuscle Gym Assembly Instructions** what you in the manner of to read!

https://staging.conocer.cide.edu/About/publication/Download_PDFS/mythical_stone_soldiers_book_1.pdf

Table of Contents Maximuscle Gym Assembly Instructions

1. Understanding the eBook Maximuscle Gym Assembly Instructions
 - The Rise of Digital Reading Maximuscle Gym Assembly Instructions
 - Advantages of eBooks Over Traditional Books
2. Identifying Maximuscle Gym Assembly Instructions
 - Exploring Different Genres
 - Considering Fiction vs. Non-Fiction
 - Determining Your Reading Goals
3. Choosing the Right eBook Platform
 - Popular eBook Platforms
 - Features to Look for in an Maximuscle Gym Assembly Instructions
 - User-Friendly Interface
4. Exploring eBook Recommendations from Maximuscle Gym Assembly Instructions

- Personalized Recommendations
 - Maximuscle Gym Assembly Instructions User Reviews and Ratings
 - Maximuscle Gym Assembly Instructions and Bestseller Lists
5. Accessing Maximuscle Gym Assembly Instructions Free and Paid eBooks
 - Maximuscle Gym Assembly Instructions Public Domain eBooks
 - Maximuscle Gym Assembly Instructions eBook Subscription Services
 - Maximuscle Gym Assembly Instructions Budget-Friendly Options
 6. Navigating Maximuscle Gym Assembly Instructions eBook Formats
 - ePub, PDF, MOBI, and More
 - Maximuscle Gym Assembly Instructions Compatibility with Devices
 - Maximuscle Gym Assembly Instructions Enhanced eBook Features
 7. Enhancing Your Reading Experience
 - Adjustable Fonts and Text Sizes of Maximuscle Gym Assembly Instructions
 - Highlighting and Note-Taking Maximuscle Gym Assembly Instructions
 - Interactive Elements Maximuscle Gym Assembly Instructions
 8. Staying Engaged with Maximuscle Gym Assembly Instructions
 - Joining Online Reading Communities
 - Participating in Virtual Book Clubs
 - Following Authors and Publishers Maximuscle Gym Assembly Instructions
 9. Balancing eBooks and Physical Books Maximuscle Gym Assembly Instructions
 - Benefits of a Digital Library
 - Creating a Diverse Reading Collection Maximuscle Gym Assembly Instructions
 10. Overcoming Reading Challenges
 - Dealing with Digital Eye Strain
 - Minimizing Distractions
 - Managing Screen Time
 11. Cultivating a Reading Routine Maximuscle Gym Assembly Instructions
 - Setting Reading Goals Maximuscle Gym Assembly Instructions
 - Carving Out Dedicated Reading Time
 12. Sourcing Reliable Information of Maximuscle Gym Assembly Instructions

- Fact-Checking eBook Content of Maximuscle Gym Assembly Instructions
 - Distinguishing Credible Sources
13. Promoting Lifelong Learning
- Utilizing eBooks for Skill Development
 - Exploring Educational eBooks
14. Embracing eBook Trends
- Integration of Multimedia Elements
 - Interactive and Gamified eBooks

Maximuscle Gym Assembly Instructions Introduction

In this digital age, the convenience of accessing information at our fingertips has become a necessity. Whether its research papers, eBooks, or user manuals, PDF files have become the preferred format for sharing and reading documents. However, the cost associated with purchasing PDF files can sometimes be a barrier for many individuals and organizations. Thankfully, there are numerous websites and platforms that allow users to download free PDF files legally. In this article, we will explore some of the best platforms to download free PDFs. One of the most popular platforms to download free PDF files is Project Gutenberg. This online library offers over 60,000 free eBooks that are in the public domain. From classic literature to historical documents, Project Gutenberg provides a wide range of PDF files that can be downloaded and enjoyed on various devices. The website is user-friendly and allows users to search for specific titles or browse through different categories. Another reliable platform for downloading Maximuscle Gym Assembly Instructions free PDF files is Open Library. With its vast collection of over 1 million eBooks, Open Library has something for every reader. The website offers a seamless experience by providing options to borrow or download PDF files. Users simply need to create a free account to access this treasure trove of knowledge. Open Library also allows users to contribute by uploading and sharing their own PDF files, making it a collaborative platform for book enthusiasts. For those interested in academic resources, there are websites dedicated to providing free PDFs of research papers and scientific articles. One such website is Academia.edu, which allows researchers and scholars to share their work with a global audience. Users can download PDF files of research papers, theses, and dissertations covering a wide range of subjects. Academia.edu also provides a platform for discussions and networking within the academic community. When it comes to downloading Maximuscle Gym Assembly Instructions free PDF files of magazines, brochures, and catalogs, Issuu is a popular choice. This digital publishing platform hosts a vast collection of publications from around the world. Users can search for specific titles or explore various categories and genres. Issuu offers a seamless reading experience with its user-friendly interface and allows users to download PDF files for offline

reading. Apart from dedicated platforms, search engines also play a crucial role in finding free PDF files. Google, for instance, has an advanced search feature that allows users to filter results by file type. By specifying the file type as "PDF," users can find websites that offer free PDF downloads on a specific topic. While downloading Maximuscle Gym Assembly Instructions free PDF files is convenient, it's important to note that copyright laws must be respected. Always ensure that the PDF files you download are legally available for free. Many authors and publishers voluntarily provide free PDF versions of their work, but it's essential to be cautious and verify the authenticity of the source before downloading Maximuscle Gym Assembly Instructions. In conclusion, the internet offers numerous platforms and websites that allow users to download free PDF files legally. Whether it's classic literature, research papers, or magazines, there is something for everyone. The platforms mentioned in this article, such as Project Gutenberg, Open Library, Academia.edu, and Issuu, provide access to a vast collection of PDF files. However, users should always be cautious and verify the legality of the source before downloading Maximuscle Gym Assembly Instructions any PDF files. With these platforms, the world of PDF downloads is just a click away.

FAQs About Maximuscle Gym Assembly Instructions Books

What is a Maximuscle Gym Assembly Instructions PDF? A PDF (Portable Document Format) is a file format developed by Adobe that preserves the layout and formatting of a document, regardless of the software, hardware, or operating system used to view or print it. **How do I create a Maximuscle Gym Assembly Instructions PDF?** There are several ways to create a PDF: Use software like Adobe Acrobat, Microsoft Word, or Google Docs, which often have built-in PDF creation tools. Print to PDF: Many applications and operating systems have a "Print to PDF" option that allows you to save a document as a PDF file instead of printing it on paper. Online converters: There are various online tools that can convert different file types to PDF. **How do I edit a Maximuscle Gym Assembly Instructions PDF?** Editing a PDF can be done with software like Adobe Acrobat, which allows direct editing of text, images, and other elements within the PDF. Some free tools, like PDFescape or Smallpdf, also offer basic editing capabilities. **How do I convert a Maximuscle Gym Assembly Instructions PDF to another file format?** There are multiple ways to convert a PDF to another format: Use online converters like Smallpdf, Zamzar, or Adobe Acrobat's export feature to convert PDFs to formats like Word, Excel, JPEG, etc. Software like Adobe Acrobat, Microsoft Word, or other PDF editors may have options to export or save PDFs in different formats. **How do I password-protect a Maximuscle Gym Assembly Instructions PDF?** Most PDF editing software allows you to add password protection. In Adobe Acrobat, for instance, you can go to "File" -> "Properties" -> "Security" to set a password to restrict access or editing capabilities. Are there any free alternatives to Adobe Acrobat for working with PDFs?

Yes, there are many free alternatives for working with PDFs, such as: LibreOffice: Offers PDF editing features. PDFsam: Allows splitting, merging, and editing PDFs. Foxit Reader: Provides basic PDF viewing and editing capabilities. How do I compress a PDF file? You can use online tools like Smallpdf, ILovePDF, or desktop software like Adobe Acrobat to compress PDF files without significant quality loss. Compression reduces the file size, making it easier to share and download. Can I fill out forms in a PDF file? Yes, most PDF viewers/editors like Adobe Acrobat, Preview (on Mac), or various online tools allow you to fill out forms in PDF files by selecting text fields and entering information. Are there any restrictions when working with PDFs? Some PDFs might have restrictions set by their creator, such as password protection, editing restrictions, or print restrictions. Breaking these restrictions might require specific software or tools, which may or may not be legal depending on the circumstances and local laws.

Find Maximuscle Gym Assembly Instructions :

~~mythical stone soldiers book 1~~

~~n14 5 mathl sp1 eng tz0 xx~~

~~my last season with you english edition~~

my pltw 3 2 c part 1 answers

~~mysteries middle school kids esn solve~~

my profile form for kids

my mothers house amp sido by colette

~~n09 sp1 tz0 markscheme~~

my solar system lab worksheet answers

my scottish connection english edition

n10 4 chemi sp2 eng tz0 xx m

~~my fifty shades of grey~~

mystery of the red alders

~~my honda odyssey radio code~~

n1 engineering science memorandum and question paper

Maximuscle Gym Assembly Instructions :

ontario prehospital care syllabus - Jun 13 2023

web 51 rows jun 1 2011 these requirements are outlined in various paramedic practice

ontarioprehospitalcaresyllabus 2022 - Dec 27 2021

web jul 18 2023 merely said the ontario prehospital care syllabus is universally compatible with any devices to read world meetings social behavioral sciences human services

ontario primary health care nurse practitioner phcnp ontario - Oct 05 2022

web jun 21 2023 ontario prehospital care syllabus what you comparable to download this ontario prehospital care syllabus as one of the majority functioning sellers here will

download solutions ontario prehospital care syllabus - Jan 08 2023

web pre health programs at ontario colleges require an ontario secondary school diploma ossd or equivalent which includes a grade 12 english credit and a senior math credit

opa curriculum ontario paramedic association - Mar 10 2023

web for high level wound care this is essential content for those seeking woc certification including nursing students in wound care programs nurses involved in wound care

ontario prehospital care syllabus uniport edu ng - Apr 30 2022

web may 27 2023 ontario prehospital care syllabus pdf eventually you will enormously discover a further experience and achievement by spending more cash yet when attain

ontario prehospital care syllabus secure4 khronos - Feb 26 2022

web jun 7 2023 get as without difficulty as acquire instruction ontario prehospital care syllabus it is not around by word of mouth the financial outlays its essentially what you

ontario prehospital care syllabus pdf pdf leonardcucos - Jun 01 2022

web jul 21 2023 ontario prehospital care syllabus 3 11 downloaded from uniport edu ng on july 21 2023 by guest managerial leadership skills at the local level need further

ontario prehospital care syllabus pdf 2023 - Mar 30 2022

web jun 11 2023 you could buy handbook ontario prehospital care syllabus or get it as soon as practical this ontario prehospital care syllabus as one of the predominant

ontario prehospital care syllabus uniport edu ng - Aug 03 2022

web aug 3 2023 right here we have countless books ontario prehospital care syllabus and collections to check out we additionally give variant types and with type of the books to

paramedic standards and exams emergency health - Jul 14 2023

web this ontario prehospital care syllabus as one of the most working sellers here will unquestionably be in the midst of the

best options to review 2 current catalog 1991

paramedic practice documents education and patient - May 12 2023

web aug 29 2023 the prehospital emergency care syllabus provides a synopsis of the theory base and the performance skills from which entry to practice pcp candidates are

ontario prehospital care syllabus secure4 khronos - Sep 04 2022

web ontario prehospital care syllabus 2 8 downloaded from uniport edu ng on august 11 2023 by guest edition or to discuss future collaboration or sponsorship opportunities to

research guides paramedicine ems utsc exam prep - Apr 11 2023

web primary care paramedic program admission requirements in ontario anyone who wishes to become a primary care paramedic aemca advanced emergency medical

ontario prehospital care syllabus uniport edu ng - Nov 25 2021

web aug 2 2023 ontario prehospital care syllabus 2 6 downloaded from uniport edu ng on august 2 2023 by guest national incident management system nims and therapeutic

pre health ontariocolleges ca - Dec 07 2022

web primary care paramedics a paramedic is a healthcare professional providing pre hospital assessment and medical care to people with acute illnesses or injuries in

primary care paramedic course calendar 2022 - Nov 06 2022

web the council of ontario university programs in nursing coupon established the ontario primary health care nurse practitioner phc np programme in 1995 a consortium of

ontario prehospital care syllabus prospectus camre ac - Jan 28 2022

web fragmented care inadequate treatment of distressing symptoms frequent transitions among care settings and enormous care responsibilities for families according to this report

ontario prehospital care syllabus pqr uiaf gov co - Sep 23 2021

ontario prehospital care syllabus uniport edu ng - Jul 02 2022

web ontario prehospital care syllabus pdf whispering the secrets of language an psychological quest through ontario prehospital care syllabus pdf in a digitally driven

ontarioprehospitalcaresyllabus oematf - Feb 09 2023

web ontario prehospital care syllabus critical care transport dec 29 2019 welcome to the gold standard in critical care transport training published in conjunction with the

[prehospital emergency care syllabus v3 ministère de](#) - Aug 15 2023

web emergency health regulatory and accountability branch ontario ministry of health prehospital emergency care syllabus version 3 0 introduction pathological states

ontario prehospital care syllabus uniport edu ng - Oct 25 2021

web bargains to download and install ontario prehospital care syllabus in view of that simple current catalog 1991 first multi year cumulation covers six years 1965 70 world

[1991 toyota carina ii 1 6i specs dimensions ultimate specs](#) - May 23 2022

web the carro can reach 0 to 100 km h 0 to 62 mph in 11 9 seconds and has a top speed of 115 mph toyota carina ii 1 6i technical specs 1991 105 ps 104 hp petrol average consumption 7 1 l 100km 33 mpg length 444 0cm 174 8 inches width 169 0cm 66 54 inches height 137 0cm 53 94 inches

[1991 toyota carina ii service and repair manual](#) - Nov 28 2022

web 29 99 1991 toyota carina ii service and repair manual fixing problems in your vehicle is a do it approach with the auto repair manuals as they contain comprehensive instructions and procedures on how to fix the problems in your ride also customer support over the email and help to fix your car right the first time

manuals toyota - Jun 23 2022

web aug 14 2023 many toyota owner publications such as owner s manuals navigation manuals and warranty and maintenance guides can be found online on my toyota many toyota reference materials such as repair manuals and wiring diagrams may be obtained t 10293 views jul 25 2023 knowledge

toyota carina e service repair manual 1992 19 issuu - Aug 26 2022

web oct 1 2013 toyota carina e service repair manual 1992 1993 1994 1995 1996 1997 download download here buy and download complete service repair manual for toyota carina e production model years 1992

[1981 toyota carina pdf service repair manuals youfixcars com](#) - Feb 17 2022

web ka67 parts list catalogue manual view webpages download pdf url mercedes series 107 123 124 126 129 140 201 maintenance manual 1981 1993 porsche 928 service repair manual 1978 1994

toyota carina pdf manual wiring diagrams - Sep 26 2022

web toyota carina 1992 1996 service manual toyota carina 1996 2001 service manual toyota carina e 1992 repair manual toyota carina e 1992 1997 service and repair manual toyota carina e 1992 1998 service manual toyota carina ed 1993 1998 service manual

[toyota carina repair manual free download carmanualshub com](#) - Apr 02 2023

web toyota carina repair manual fault codes wiring diagrams pdf free download see also toyota camry repair manual toyota

service manuals toyota engine repair manual service manuals for operation and maintenance of cars toyota carina ed output equipped with gasoline engines 4s fe 1 8 liters 3s fe 2 0 liters 3s ge 2 0 liters

toyota carina free workshop and repair manuals - Sep 07 2023

web toyota carina workshop repair and owners manuals for all years and models free pdf download for thousands of cars and trucks

toyota carina toyota classic parts - May 03 2023

web toyota carina filter sort by owner s manual notice d entretien carina a4 1978 19 50 in stock owner s manual carina e t19 1992 19 50 in stock owner s manual carina e t19 1998 14 50 options available owner s manual carina ii t17 1991

toyota carina repair manual wiring diagrams repair engine - Jul 05 2023

web toyota carina 1996 2001 service manual only rus download toyota carina e 1992 repair manual download toyota carina e 1992 1997 service and repair manual download toyota carina e 1992 1997 wiring diagram download

1991 toyota carina ii sedan diy car maintenance and service manuals - Mar 01 2023

web garage wiki is a community driven diy car service knowledge base decided to service your 1991 toyota carina ii sedan by yourself here you can find 1991 toyota carina ii sedan technical fluid and oil capacities engines transmissions gearboxes specifications and

toyota carina 1991 manual unimog toyota carina user manual - Mar 21 2022

web jul 15 2019 toyota carina 1991 manual github gist instantly share code notes and snippets

toyota carina 1996 2001 service manual autorepmans com - Jul 25 2022

web aug 11 2008 toyota carina 1996 2001 guide to repair and maintenance the guide provides step by step procedures for operation repair and maintenance of car toyota carina 1996 2001 biennium release equipped gasoline 4a ge 1 6 l 5a fe 1 5 l 7a fe 1 8 l 3s fe engine 2 0 l engine

toyota carina wikipedia - Dec 30 2022

web the toyota carina japanese トヨタ カリーナ toyota karina is an automobile which was manufactured by toyota from december 1970 to december 2001 it was introduced as a sedan counterpart of the celica with which it originally shared a platform

toyota carina 1996 2001 service manual procarmanuals com - Apr 21 2022

web trust in the information provided by the toyota carina 1996 2001 service manual to effectively service and maintain the carina this manual serves as a comprehensive resource enabling technicians and mechanics to provide reliable and high quality service to toyota carina owners from 1996 to 2001

owner s manual carina ii t17 1991 toyota classic parts - Jan 31 2023

web owner s manual carina ii t17 1991 toyota classic parts search access your basket you have 0 items in your basket 0 home

spare parts rims and tyres sports rear silencer toyota classic merchandise toyota gr summer sale panasonic toyota racing home owner s manual carina ii t17 1991

toyota carina repair service manuals 2 pdf s - Jun 04 2023

web toyota carina owners manual covering weekly checks 1991 toyota camry service repair manual rm199u pdf toyota corolla 2006 electrical wiring diagram em00h0u toyota avensis 1998 2002 service repair manual pdf 2001 toyota yaris echo repair manual for chassis body rm910e

toyota carina service repair manuals on motor era - Aug 06 2023

web motor era offers service repair manuals for your toyota carina download your manual now toyota carina service repair manuals complete list of toyota carina auto service repair manuals porsche 928 service repair manual 1978 1994 porsche 928 service repair manual 1978 1994 porsche 928 service repair manual 1978 1994

toyota carina ii wikipedia - Oct 28 2022

web 1991 carina gl 1 6 liftback in 1988 the toyota carina ii was released based on the japanese market t170 corona introduced the previous year compared to the corona front and rear light clusters front grille and some trim are different and the rear number plate recess was moved up from the bumper up to the boot lid

toyota carina manuals toyota - Oct 08 2023

web 1986 1991 toyota 1c 2c engine repair manual pdf toyota 1c 2c engine repair manual models toyota liteace townace camry corolla corolla sprinter carina corona caldina vista repair manuals 13 2 mb russian 143 carina t210 1996 2001 carina repair manual pdf

science working model understand your concepts with - Jun 23 2022

web nov 4 2023 creating science models for an exhibition can be an excellent way to learn and understand scientific concepts here are some reasons why creating the best working model for science exhibition is a good idea promotes creativity creating a science model is a great way to foster creativity and encourage students to think outside the box

2023 top 30 best working model ideas of science exhibition for classes - Nov 28 2022

web aug 8 2023 2023 top 30 best working model ideas of science exhibition for classes 8 9 and 10 abdul rauf august 8 2023 explore the best science exhibition project ideas for students in classes 8 9 and 10 from india and pakistan

19 knock out ideas for the 10th grade science fair - Apr 21 2022

web jan 24 2022 tenth grade science projects include working with the periodic table atomic theory radiation chemical bonds and many more complex and reactive concepts the fair is the time to show off what you ve learned impress your classmates and teachers and possibly win the grand prize

20 interesting class 10 science projects for exhibitions - Aug 06 2023

web jul 11 2023 a working model of a science project water level indicator can be made using simple materials and tools the model is designed to show how a water level indicator works and it can be used to make predictions about how the water level will change in different parts of a river or stream to make the model you will need

[10 best working models for school science exhibition or science](#) - May 03 2023

web jun 16 2019 10 best working models for school science exhibition or science fair jun 16 2019 by sowmya in this post i am writing about 10 best working models which you can find here to use in your school fair projects anywhere from class 1 to class 10 students 1 kidney working model

amazon in science working model class 10 - May 23 2022

web youngineers 16 in 1 physics practicals kit for class 10 cbse icse board exams ages 14 16 science experiments interactive educational videos with practice questions preparation tips 4 6 23 1 799 2 499 28 off get it

working model of science for cbse class 10 byju s - Sep 07 2023

web cbse class 10 science working model is an activity of science that aims to make a specific feature of the world easier to understand in terms of visualising defined by using a reference of the existing usually accompanied by common knowledge

top 10 innovative physics projects for science exhibition class 10 - Jul 05 2023

web nov 25 2019 top 10 innovative physics projects for science exhibition class 10 to 12 making of physics working model and projects for science fair or science exhibition physics category has too many options to make interesting award winning projects than biology and chemistry

science working models for class 10 cbse icse state youtube - Apr 02 2023

web sep 27 2023 in this play list we will list all the science working model for class 10 that you can use it enhance your science knowledge to next level

25 math s working model for class 10 students tlms free science - Mar 21 2022

web sep 11 2023 here are 25 math s working project for class 10 students pythagoras theorem math s working model 1 pythagorean theorem working model the pythagorean theorem is a mathematical rule that helps us find the length of one side of a right angled triangle when we know the lengths of the other two sides

physics working models for class 10 science fair projects - Jul 25 2022

web physics working models for class 10 light reflection and refraction off liquids liquid light liquid viscosity and temperature little color to lighten the world up living color quantifying the effect of skyglow on the visibility of stars quantifying the effect of tungsten illumination radioactive attenuation and the inverse square law ringing saturn

[top 10 best working model of science exhibition for class 8 9 and 10](#) - Oct 08 2023

web nov 19 2018 working model of science project water level indicator we can use the water level indicator to show how

water can complete a circuit it is a good conductor of electricity it is a very interesting diy physics project definitely a great idea to show the working of sensors and alarms

science working model for class 10 ai classmonitor - Feb 17 2022

web science working model for class 10 3 3 report of the department of science and art of the committee of council on education rh childrens books effective science teaching requires creativity imagination and innovation in

amazon in science working model for class 10 - Aug 26 2022

web solar led lights readymade science working project model in physics for school college printed report included 399 m r p 600 34 off get it by saturday 19 august ages 14 months and up

cbse class 10th science working model projects ideas must - Jan 31 2023

web oct 2 2017 disclaimer under fair usage policy less than 30 part is used video credits 1 flying car youtube com watch v tvbqa0yrpua2 how to make steam

working model of science for class 10 physics project for class 10 - Jun 04 2023

web hello guys in this video you will first learn how to make this working model of science physics this is the physics project for class 10 this is the se

working model of science for class 10 physics project for class 10 - Oct 28 2022

web jan 28 2023 you can make this working model so guys in this video you will learn how to make a working model of science for class 10th and class 12th can also use it cbse exam class 10

7 science projects for class 10th getmyuni - Sep 26 2022

web oct 4 2023 science projects for class 10th are usually given to students to understand science and gives a chance to them apply science in everyday life cbse science projects for class 10th in the science discipline area are educational activities for students that entail building scientific models and doing numerous experiments

engaging science models for class 10 students vedantu - Mar 01 2023

web nov 4 2023 working model for science exhibition for class 10 book online demo ncert solutions cbse cbse study material textbook solutions cbse notes live join vedantu s free masterclass have fun with science projects for class 10 working model

science working models youtube - Dec 30 2022

web nov 29 2021 hello friends we have brought you 4 science projects for students you can make these science models and learn about different science projects science worki