

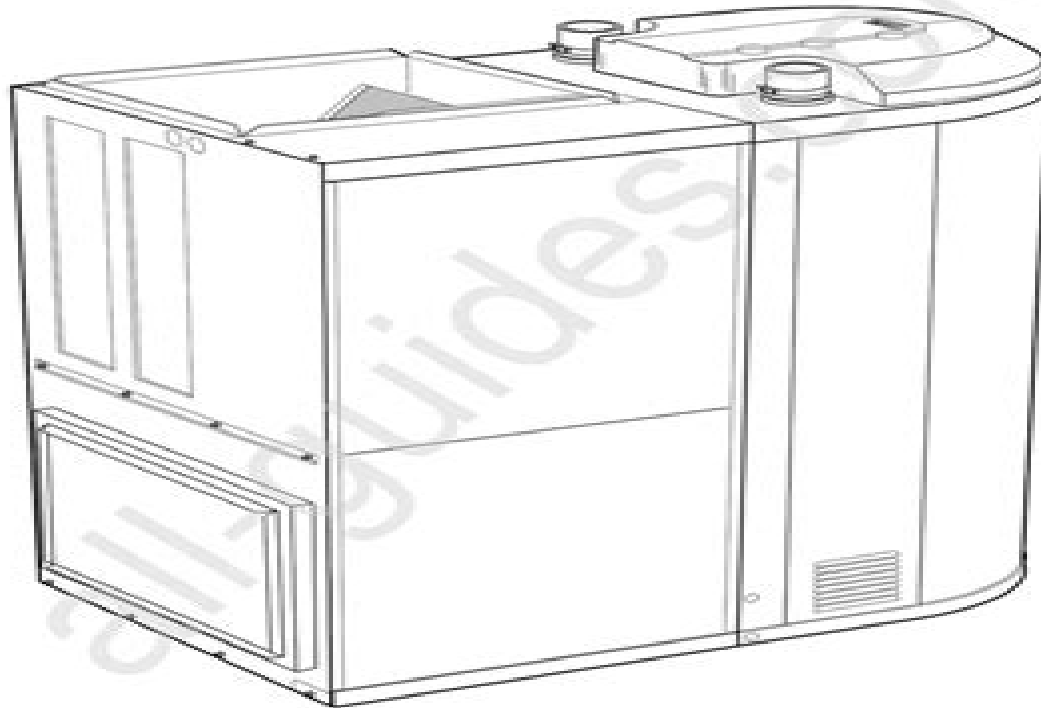
**LENNOX**  
PRODUCT LITERATURE

503.718M  
6/98  
Supersedes 6/97

# USER'S INFORMATION MANUAL

## CompleteHeat™

COMBINATION  
HEATING  
SYSTEM



- SYSTEM OPERATION
- MAINTENANCE
- SAFETY CONSIDERATIONS

**TIP** Technical  
Publications  
Litho U.S.A.

©1997 Lennox Industries Inc.

# Lennox Heating Manual

**CL Gary**



**Lennox Heating Manual:**

## Unveiling the Magic of Words: A Report on "**Lennox Heating Manual**"

In some sort of defined by information and interconnectivity, the enchanting power of words has acquired unparalleled significance. Their ability to kindle emotions, provoke contemplation, and ignite transformative change is actually awe-inspiring. Enter the realm of "**Lennox Heating Manual**," a mesmerizing literary masterpiece penned by way of a distinguished author, guiding readers on a profound journey to unravel the secrets and potential hidden within every word. In this critique, we shall delve into the book's central themes, examine its distinctive writing style, and assess its profound impact on the souls of its readers.

[https://staging.conocer.cide.edu/About/book-search/default.aspx/jules\\_verne.pdf](https://staging.conocer.cide.edu/About/book-search/default.aspx/jules_verne.pdf)

### **Table of Contents Lennox Heating Manual**

1. Understanding the eBook Lennox Heating Manual
  - The Rise of Digital Reading Lennox Heating Manual
  - Advantages of eBooks Over Traditional Books
2. Identifying Lennox Heating Manual
  - Exploring Different Genres
  - Considering Fiction vs. Non-Fiction
  - Determining Your Reading Goals
3. Choosing the Right eBook Platform
  - Popular eBook Platforms
  - Features to Look for in an Lennox Heating Manual
  - User-Friendly Interface
4. Exploring eBook Recommendations from Lennox Heating Manual
  - Personalized Recommendations
  - Lennox Heating Manual User Reviews and Ratings
  - Lennox Heating Manual and Bestseller Lists

5. Accessing Lennox Heating Manual Free and Paid eBooks
  - Lennox Heating Manual Public Domain eBooks
  - Lennox Heating Manual eBook Subscription Services
  - Lennox Heating Manual Budget-Friendly Options
6. Navigating Lennox Heating Manual eBook Formats
  - ePub, PDF, MOBI, and More
  - Lennox Heating Manual Compatibility with Devices
  - Lennox Heating Manual Enhanced eBook Features
7. Enhancing Your Reading Experience
  - Adjustable Fonts and Text Sizes of Lennox Heating Manual
  - Highlighting and Note-Taking Lennox Heating Manual
  - Interactive Elements Lennox Heating Manual
8. Staying Engaged with Lennox Heating Manual
  - Joining Online Reading Communities
  - Participating in Virtual Book Clubs
  - Following Authors and Publishers Lennox Heating Manual
9. Balancing eBooks and Physical Books Lennox Heating Manual
  - Benefits of a Digital Library
  - Creating a Diverse Reading Collection Lennox Heating Manual
10. Overcoming Reading Challenges
  - Dealing with Digital Eye Strain
  - Minimizing Distractions
  - Managing Screen Time
11. Cultivating a Reading Routine Lennox Heating Manual
  - Setting Reading Goals Lennox Heating Manual
  - Carving Out Dedicated Reading Time
12. Sourcing Reliable Information of Lennox Heating Manual
  - Fact-Checking eBook Content of Lennox Heating Manual
  - Distinguishing Credible Sources
13. Promoting Lifelong Learning

- Utilizing eBooks for Skill Development
  - Exploring Educational eBooks
14. Embracing eBook Trends
- Integration of Multimedia Elements
  - Interactive and Gamified eBooks

### **Lennox Heating Manual Introduction**

Lennox Heating Manual Offers over 60,000 free eBooks, including many classics that are in the public domain. Open Library: Provides access to over 1 million free eBooks, including classic literature and contemporary works. Lennox Heating Manual Offers a vast collection of books, some of which are available for free as PDF downloads, particularly older books in the public domain. Lennox Heating Manual : This website hosts a vast collection of scientific articles, books, and textbooks. While it operates in a legal gray area due to copyright issues, its a popular resource for finding various publications. Internet Archive for Lennox Heating Manual : Has an extensive collection of digital content, including books, articles, videos, and more. It has a massive library of free downloadable books. Free-eBooks Lennox Heating Manual Offers a diverse range of free eBooks across various genres. Lennox Heating Manual Focuses mainly on educational books, textbooks, and business books. It offers free PDF downloads for educational purposes. Lennox Heating Manual Provides a large selection of free eBooks in different genres, which are available for download in various formats, including PDF. Finding specific Lennox Heating Manual, especially related to Lennox Heating Manual, might be challenging as theyre often artistic creations rather than practical blueprints. However, you can explore the following steps to search for or create your own Online Searches: Look for websites, forums, or blogs dedicated to Lennox Heating Manual, Sometimes enthusiasts share their designs or concepts in PDF format. Books and Magazines Some Lennox Heating Manual books or magazines might include. Look for these in online stores or libraries. Remember that while Lennox Heating Manual, sharing copyrighted material without permission is not legal. Always ensure youre either creating your own or obtaining them from legitimate sources that allow sharing and downloading. Library Check if your local library offers eBook lending services. Many libraries have digital catalogs where you can borrow Lennox Heating Manual eBooks for free, including popular titles. Online Retailers: Websites like Amazon, Google Books, or Apple Books often sell eBooks. Sometimes, authors or publishers offer promotions or free periods for certain books. Authors Website Occasionally, authors provide excerpts or short stories for free on their websites. While this might not be the Lennox Heating Manual full book , it can give you a taste of the authors writing style. Subscription Services Platforms like Kindle Unlimited or Scribd offer subscription-based access to a wide range of Lennox Heating Manual eBooks, including some popular titles.

## FAQs About Lennox Heating Manual Books

How do I know which eBook platform is the best for me? Finding the best eBook platform depends on your reading preferences and device compatibility. Research different platforms, read user reviews, and explore their features before making a choice. Are free eBooks of good quality? Yes, many reputable platforms offer high-quality free eBooks, including classics and public domain works. However, make sure to verify the source to ensure the eBook credibility. Can I read eBooks without an eReader? Absolutely! Most eBook platforms offer web-based readers or mobile apps that allow you to read eBooks on your computer, tablet, or smartphone. How do I avoid digital eye strain while reading eBooks? To prevent digital eye strain, take regular breaks, adjust the font size and background color, and ensure proper lighting while reading eBooks. What the advantage of interactive eBooks? Interactive eBooks incorporate multimedia elements, quizzes, and activities, enhancing the reader engagement and providing a more immersive learning experience. Lennox Heating Manual is one of the best book in our library for free trial. We provide copy of Lennox Heating Manual in digital format, so the resources that you find are reliable. There are also many Ebooks of related with Lennox Heating Manual. Where to download Lennox Heating Manual online for free? Are you looking for Lennox Heating Manual PDF? This is definitely going to save you time and cash in something you should think about.

### Find Lennox Heating Manual :

**jules verne**

**justice and the politics of memory**

[julian the magician](#)

**julia margaret cameron 1815-1879**

**just get out of the way how government can help busineb in poor countries**

[just trust us the erosion of accountability in canada](#)

**jungles of arkansas a personal history of the wonder state**

**just toying around...**

**julian m sturtevant 18051886 president of illnois college ardent churchman reflective author**

[junius including letters by the 3vol](#)

[juliets story](#)

**junior classics stories of courage and heroism 191**

**jump the debbie brill story**

just my soul responding rhythm and blues black consciousness and race relations  
**jump at the sun zora neale hurstons cosmic comedy**

### **Lennox Heating Manual :**

ELA Grades 6-12 - SpringBoard - College Board Beginning in grade 6, SpringBoard English Language Arts students develop and refine skills in critical thinking, close reading, writing in various genres, and ... SpringBoard English Language Arts Grade 6 SpringBoard English Language Arts Grade 6 · Buy New. \$22.79\$22.79. FREE delivery: Friday, Jan 5 on orders over \$35.00 shipped by Amazon. Ships from: Amazon. Sold ... SpringBoard\_ELA\_Grade6\_Flipb... ELA Grade 6. 1. Table of Contents. 6. Unit 1: Stories of Change. 28. Unit 2: The Power of Change. 116. Unit 3: Changing Perspectives. 186. Unit 4: The Final Act. SpringBoard English Language Arts, Grade 6 ... SpringBoard English Language Arts, Grade 6, Consumable Student Edition, c. 2021, 9781457312922, 1457312921 · Buy New. \$45.23\$45.23. FREE delivery: Friday, Jan 5. SpringBoard Language Arts - Grade 6 The Grade 6 Curriculum Map Excel spreadsheet covers all four core ELA Grade 6 units, and each unit begins with a one-page summary that allows teachers to ... sec\_E\_SB\_ELA\_G6.pdf ... English. Language Arts. GRADE 6. STUDENT EDITION. SAMPLE. Page 2. About The College Board ... SpringBoard English Language Arts. Research and Planning Advisors. Springboard ela grade 6 This product includes the following: • 4-day lesson plan for Springboard Activity 1. 6 - 7th Grade ELA • PowerPoint presentation & PDF - both with all ... SpringBoard English Language Arts 6 TE (CA)(TE)(P) by ... Textbook and beyond SpringBoard English Language Arts 6 TE (CA)(TE)(P) by Bishop, [1457304694] - 2017 SpringBoard English Language Arts Grade 6 California ... ELA Curriculum and Resources - SpringBoard - College Board A comprehensive look at SpringBoard's English Language Arts curriculum. Hear from teachers and students on how SpringBoard prepares students for college success ... Springboard 6th grade ela Browse springboard 6th grade ela resources on Teachers Pay Teachers, a ... Workbook. It also has a link to CPALMS for each standard to help with ideas ... 2005 Volkswagen Passat Owner's Manual in PDF! Volkswagen Owner's Manuals - view owner's manuals for VW cars in PDF for free! Choose all models: Golf, Polo, Passat, Jetta, Toureg, Touran, Atlas, Transfomer! 2005 VW Volkswagen Passat Owners Manual 2005 VW Volkswagen Passat Owners Manual [unknown author] on Amazon.com. \*FREE\* shipping on qualifying offers. 2005 VW Volkswagen Passat Owners Manual. 2005 Volkswagen Passat Wagon Owners Manual in PDF The complete 9 booklet user manual for the 2005 Volkswagen Passat Wagon in a downloadable PDF format. Includes maintenance schedule, warranty info, ... Volkswagen Passat Sedan Owner's Manual: 2005 This Volkswagen Passat (B5) Owner's Manual: 2005 includes eleven different booklets: Quick Reference Guide 2005 Passat Sedan; Consumer Protection Laws ... Volkswagen Passat Wagon Owner's Manual: 2005 This Volkswagen Passat (B5) Wagon 2005 Owner's Manual includes ten different booklets: Consumer Protection Laws; Controls and Operating Equipment; Index ... 2005 Volkswagen Passat Owner's Manual



PDF Owner's manuals contain all of the instructions you need to operate the car you own, covering aspects such as driving, safety, maintenance and infotainment. Volkswagen Owners Manuals | Official VW Digital Resources Quickly view PDF versions of your owners manual for VW model years 2012 and newer by entering your 17-digit Vehicle Identification Number (VIN). 2005 Volkswagen Passat Wagon Owner Owner's Manual ... 2005 Volkswagen Passat Wagon Owner Owner's Manual User Guide Book GL GLS GLX ; Quantity. 1 available ; Item Number. 255703210677 ; Accurate description. 4.8. 2005 05 volkswagen vw passat sedan owner's manual ... Volkswagen Car & Truck Owner & Operator Manuals · Complete Manual Transmissions for Volkswagen Passat · Volkswagen Clymer Car & Truck Owner & Operator Manuals. 2005 Volkswagen Passat Sedan Owner's Manual Original factory 2005 Volkswagen Passat Sedan Owner's Manual by DIY Repair Manuals. Best selection and lowest prices on owners manual, service repair ... The Essential Theatre by Brockett, Oscar G. - Amazon.com The Tenth Edition of THE ESSENTIAL THEATRE will inspire readers to become excited about theatre. The combined authorship of an authoritative theatre ... The Essential Theatre - Oscar Gross Brockett, Robert J. Ball The Tenth Edition of THE ESSENTIAL THEATRE will inspire readers to become excited about theatre. The combined authorship of an authoritative theatre ... The Essential Theatre by Oscar G. Brockett Robert J. Ball The Essential Theatre Review This The Essential Theatre book is not really ordinary book, you have it then the world is in your hands. The benefit you get by ... Amazon.com: The Essential Theatre, Enhanced FREE delivery December 28 - 29. Details. Arrives after Christmas. Need a gift ... Cengage Learning; 10th edition (March 28, 2013). Language, English. Paperback ... Here is a link to almost any textbook's free PDF version. : r/un Need a pdf for Essential Cell Biology 6th edition isbn: 978-1-324 ... Introduction to the Practice of Statistics, 10th edition. By David S ... Editions of The Essential Theatre by Oscar Gross Brockett The Essential Theatre 10th Edition. Published January 1st 2011 by Cengage ... Goodreadswww.goodreads.comFREE - In Google Play. View. The Essential Theatre, 11th Edition - Cengage Hardcopy textbook for Brockett/Ball//Fleming/Carlson's The Essential Theatre. Buy direct for hassle-free returns. Included in Cengage Unlimited. free read [pdf] The Essential Theatre - YUMPU Sep 15, 2022 — The Eleventh Edition includes an all-new chapter devoted to musical theatre, new Then and Now boxes that link theatre history to present-day, ... [PDF] The Essential Theatre by Oscar Brockett eBook - Perlego The Eleventh Edition includes an all-new chapter devoted to musical theatre, new "Then and Now" boxes that link theatre history to present-day, and numerous new ... Got my Theatre textbook today, and look who's on ... - Reddit It's The Essential Theatre: Tenth Edition by Oscar G. Brockett and Robert J. Ball. The ISBN is 9780495807971 so you can find the exact edition.