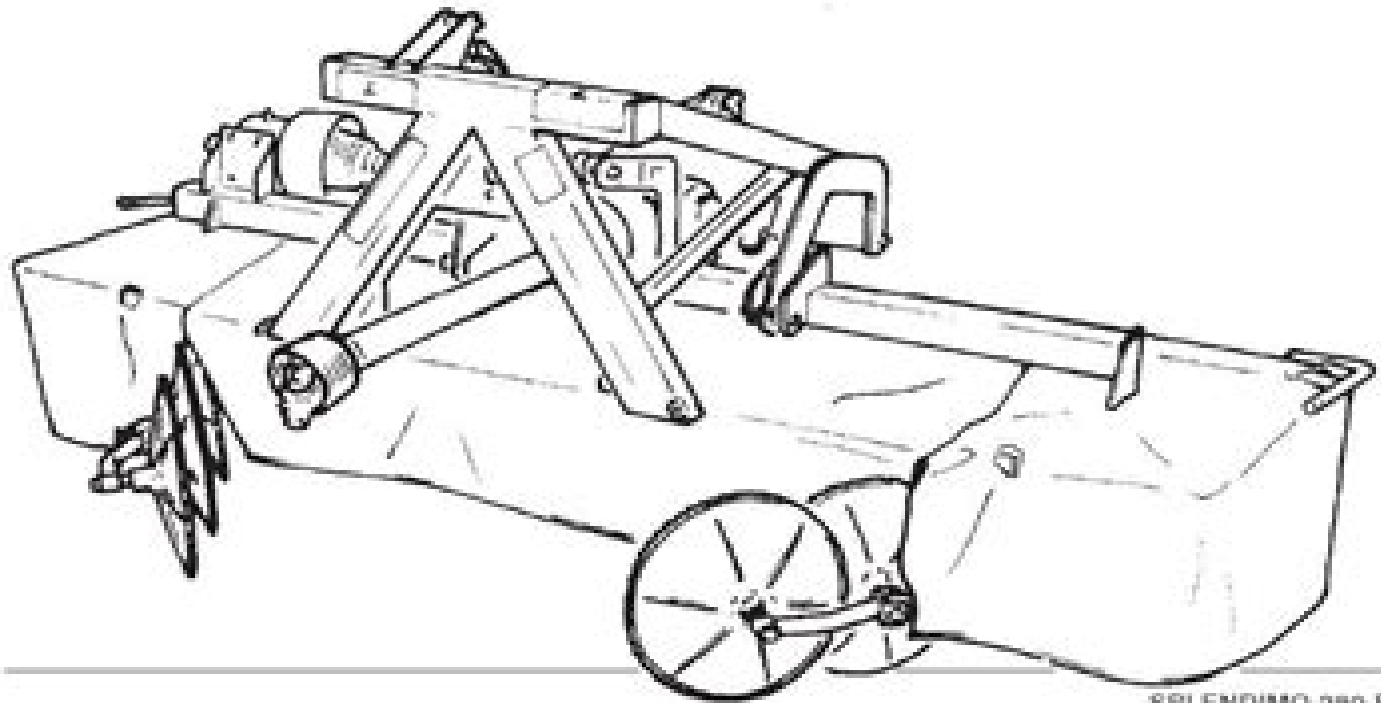


SPLENDIMO F



SPLENDIMO 260 F

SPLENDIMO	type number type number numéro de type Typenummer	vanal serialnumber as from serial number après numéro série ab Seriennummer	SPLENDIMO	type number type number numéro de type Typenummer	vanal serialnumber as from serial number après numéro série ab Seriennummer
240 F	4.1244.0008.1 4.1244.0009.1 4.1244.0010.1 4.1244.0011.1	3000000 3000285 10800 - 0500 10800 - 0500	260 F	4.1228.0008.1 4.1228.0009.1 4.1228.0010.1	3000000 3001728 10800 - 0518

Lely Splendimo 280f Mower Manual

Jin-Ying Zhang



Lely Splendimo 280f Mower Manual:

Eventually, you will entirely discover a extra experience and ability by spending more cash. yet when? get you bow to that you require to acquire those all needs in imitation of having significantly cash? Why dont you try to acquire something basic in the beginning? Thats something that will guide you to comprehend even more concerning the globe, experience, some places, taking into consideration history, amusement, and a lot more?

It is your enormously own mature to show reviewing habit. in the course of guides you could enjoy now is **Lely Splendimo 280f Mower Manual** below.

<https://staging.conocer.cide.edu/data/uploaded-files/Documents/human%20sexual%20behavior.pdf>

Table of Contents Lely Splendimo 280f Mower Manual

1. Understanding the eBook Lely Splendimo 280f Mower Manual
 - The Rise of Digital Reading Lely Splendimo 280f Mower Manual
 - Advantages of eBooks Over Traditional Books
2. Identifying Lely Splendimo 280f Mower Manual
 - Exploring Different Genres
 - Considering Fiction vs. Non-Fiction
 - Determining Your Reading Goals
3. Choosing the Right eBook Platform
 - Popular eBook Platforms
 - Features to Look for in an Lely Splendimo 280f Mower Manual
 - User-Friendly Interface
4. Exploring eBook Recommendations from Lely Splendimo 280f Mower Manual
 - Personalized Recommendations
 - Lely Splendimo 280f Mower Manual User Reviews and Ratings
 - Lely Splendimo 280f Mower Manual and Bestseller Lists
5. Accessing Lely Splendimo 280f Mower Manual Free and Paid eBooks

- Lely Splendimo 280f Mower Manual Public Domain eBooks
 - Lely Splendimo 280f Mower Manual eBook Subscription Services
 - Lely Splendimo 280f Mower Manual Budget-Friendly Options
6. Navigating Lely Splendimo 280f Mower Manual eBook Formats
- ePub, PDF, MOBI, and More
 - Lely Splendimo 280f Mower Manual Compatibility with Devices
 - Lely Splendimo 280f Mower Manual Enhanced eBook Features
7. Enhancing Your Reading Experience
- Adjustable Fonts and Text Sizes of Lely Splendimo 280f Mower Manual
 - Highlighting and Note-Taking Lely Splendimo 280f Mower Manual
 - Interactive Elements Lely Splendimo 280f Mower Manual
8. Staying Engaged with Lely Splendimo 280f Mower Manual
- Joining Online Reading Communities
 - Participating in Virtual Book Clubs
 - Following Authors and Publishers Lely Splendimo 280f Mower Manual
9. Balancing eBooks and Physical Books Lely Splendimo 280f Mower Manual
- Benefits of a Digital Library
 - Creating a Diverse Reading Collection Lely Splendimo 280f Mower Manual
10. Overcoming Reading Challenges
- Dealing with Digital Eye Strain
 - Minimizing Distractions
 - Managing Screen Time
11. Cultivating a Reading Routine Lely Splendimo 280f Mower Manual
- Setting Reading Goals Lely Splendimo 280f Mower Manual
 - Carving Out Dedicated Reading Time
12. Sourcing Reliable Information of Lely Splendimo 280f Mower Manual
- Fact-Checking eBook Content of Lely Splendimo 280f Mower Manual
 - Distinguishing Credible Sources
13. Promoting Lifelong Learning
- Utilizing eBooks for Skill Development

- Exploring Educational eBooks
- 14. Embracing eBook Trends
 - Integration of Multimedia Elements
 - Interactive and Gamified eBooks

Lely Splendimo 280f Mower Manual Introduction

Free PDF Books and Manuals for Download: Unlocking Knowledge at Your Fingertips In today's fast-paced digital age, obtaining valuable knowledge has become easier than ever. Thanks to the internet, a vast array of books and manuals are now available for free download in PDF format. Whether you are a student, professional, or simply an avid reader, this treasure trove of downloadable resources offers a wealth of information, conveniently accessible anytime, anywhere. The advent of online libraries and platforms dedicated to sharing knowledge has revolutionized the way we consume information. No longer confined to physical libraries or bookstores, readers can now access an extensive collection of digital books and manuals with just a few clicks. These resources, available in PDF, Microsoft Word, and PowerPoint formats, cater to a wide range of interests, including literature, technology, science, history, and much more. One notable platform where you can explore and download free Lely Splendimo 280f Mower Manual PDF books and manuals is the internet's largest free library. Hosted online, this catalog compiles a vast assortment of documents, making it a veritable goldmine of knowledge. With its easy-to-use website interface and customizable PDF generator, this platform offers a user-friendly experience, allowing individuals to effortlessly navigate and access the information they seek. The availability of free PDF books and manuals on this platform demonstrates its commitment to democratizing education and empowering individuals with the tools needed to succeed in their chosen fields. It allows anyone, regardless of their background or financial limitations, to expand their horizons and gain insights from experts in various disciplines. One of the most significant advantages of downloading PDF books and manuals lies in their portability. Unlike physical copies, digital books can be stored and carried on a single device, such as a tablet or smartphone, saving valuable space and weight. This convenience makes it possible for readers to have their entire library at their fingertips, whether they are commuting, traveling, or simply enjoying a lazy afternoon at home. Additionally, digital files are easily searchable, enabling readers to locate specific information within seconds. With a few keystrokes, users can search for keywords, topics, or phrases, making research and finding relevant information a breeze. This efficiency saves time and effort, streamlining the learning process and allowing individuals to focus on extracting the information they need. Furthermore, the availability of free PDF books and manuals fosters a culture of continuous learning. By removing financial barriers, more people can access educational resources and pursue lifelong learning, contributing to personal growth and professional development. This democratization of knowledge promotes intellectual curiosity and

empowers individuals to become lifelong learners, promoting progress and innovation in various fields. It is worth noting that while accessing free Lely Splendimo 280f Mower Manual PDF books and manuals is convenient and cost-effective, it is vital to respect copyright laws and intellectual property rights. Platforms offering free downloads often operate within legal boundaries, ensuring that the materials they provide are either in the public domain or authorized for distribution. By adhering to copyright laws, users can enjoy the benefits of free access to knowledge while supporting the authors and publishers who make these resources available. In conclusion, the availability of Lely Splendimo 280f Mower Manual free PDF books and manuals for download has revolutionized the way we access and consume knowledge. With just a few clicks, individuals can explore a vast collection of resources across different disciplines, all free of charge. This accessibility empowers individuals to become lifelong learners, contributing to personal growth, professional development, and the advancement of society as a whole. So why not unlock a world of knowledge today? Start exploring the vast sea of free PDF books and manuals waiting to be discovered right at your fingertips.

FAQs About Lely Splendimo 280f Mower Manual Books

What is a Lely Splendimo 280f Mower Manual PDF? A PDF (Portable Document Format) is a file format developed by Adobe that preserves the layout and formatting of a document, regardless of the software, hardware, or operating system used to view or print it. **How do I create a Lely Splendimo 280f Mower Manual PDF?** There are several ways to create a PDF: Use software like Adobe Acrobat, Microsoft Word, or Google Docs, which often have built-in PDF creation tools. Print to PDF: Many applications and operating systems have a "Print to PDF" option that allows you to save a document as a PDF file instead of printing it on paper. Online converters: There are various online tools that can convert different file types to PDF. **How do I edit a Lely Splendimo 280f Mower Manual PDF?** Editing a PDF can be done with software like Adobe Acrobat, which allows direct editing of text, images, and other elements within the PDF. Some free tools, like PDFescape or Smallpdf, also offer basic editing capabilities. **How do I convert a Lely Splendimo 280f Mower Manual PDF to another file format?** There are multiple ways to convert a PDF to another format: Use online converters like Smallpdf, Zamzar, or Adobe Acrobat's export feature to convert PDFs to formats like Word, Excel, JPEG, etc. Software like Adobe Acrobat, Microsoft Word, or other PDF editors may have options to export or save PDFs in different formats. **How do I password-protect a Lely Splendimo 280f Mower Manual PDF?** Most PDF editing software allows you to add password protection. In Adobe Acrobat, for instance, you can go to "File" -> "Properties" -> "Security" to set a password to restrict access or editing capabilities. Are there any free alternatives to Adobe Acrobat for working with PDFs? Yes, there are many free alternatives for working with PDFs, such as: LibreOffice: Offers PDF editing features. PDFsam: Allows splitting, merging, and editing

PDFs. Foxit Reader: Provides basic PDF viewing and editing capabilities. How do I compress a PDF file? You can use online tools like Smallpdf, ILovePDF, or desktop software like Adobe Acrobat to compress PDF files without significant quality loss. Compression reduces the file size, making it easier to share and download. Can I fill out forms in a PDF file? Yes, most PDF viewers/editors like Adobe Acrobat, Preview (on Mac), or various online tools allow you to fill out forms in PDF files by selecting text fields and entering information. Are there any restrictions when working with PDFs? Some PDFs might have restrictions set by their creator, such as password protection, editing restrictions, or print restrictions. Breaking these restrictions might require specific software or tools, which may or may not be legal depending on the circumstances and local laws.

Find Lely Splendimo 280f Mower Manual :

human sexual behavior

humanitarian action in war aid protection and impartiality in a vacuum

humanism and marxs thought

humphrey the dancing pig

human memory theory research and individual differences. international series in experimental psychology volume 22

human oncology pathology and clinical characteristics volume 4 2nd edition

human herpes viruses biology pathogenesis and treatment

human experimental psychology

human society in ethics politics

human rights in the muslim world

human communication theory and research

humphrey bath and toy

human element to disasters and their impact

human body its structure and operations

human factors and crew resource management for flight instructors the new student involvement

Lely Splendimo 280f Mower Manual :

trololo torrents autodata 3 18 blogger - May 20 2022

web free download autodata 3 45 full version standalone offline installer for windows pc autodata overview autodata is a

comprehensive windows application that has

how to download and install autodata 3 18 for free - Aug 03 2023

before you start autodata 3 18 free download make sure your pc meets minimum system requirements 1 operating system windows vista 7 8 8 1 10 2 memory ram 1 gb of ram required 3 see more

autodata v3 18 full crack Φορυμη arenabg - Jan 16 2022

web cheat codes to unlock all features and options md contenttype file name add dependency to build js path scripts add dependency to build js contenttype file

autodata 3 18 full version a comprehensive tool for car - Jun 01 2023

web jun 26 2023 some of the benefits of using autodata 3 18 are it can help you diagnose and fix various problems with your vehicle such as engine transmission brakes

autodata 3 45 free download all pc world allpcworld - Jul 22 2022

web autodata 3 45 free download is a powerful car component and parameter analysis application to understand the whole mechanism of the latest cars auto data 3 45

how to download and install autodata 3 18 for free - Sep 04 2023

below are some noticeable features which you ll experience after autodata free download 1 comprehensive windows application for analyzing the parameters of car 2 lets the see more

download autodata 3 45 free full activated - Jun 20 2022

web february 10 2023 admin download autodata 3 45 offline setup free for windows 32 bit and 64 bit autodata 3 45 free download is a powerful application for analyzing the

auto data 3 18 euros international commercial limited ecplaza - Jan 28 2023

web jun 18 2023 autodata 3 18 the ultimate guide to download and install for free autodata 3 18 free download full version a comprehensive guide if you are looking

aca esta el autodata 3 18 2008 para todos foros de - Apr 18 2022

web autodata 3 18 autodata 3 18 stats 406 962 active torrents 776 new 8 737 419 seeders 2 575 300 peers autodata 3 torrent downloads hot sponsored downloads autodata 3

download auto data 3 45 free download heaven32 - Aug 23 2022

web download now of 1 autodata 3 18 full version license integrated so 1 download 2 mount iso 3 install autodata 4 launch autodata 5 enjoy xavier shakespeare

autodata 3 45 installation instructions - Apr 30 2023

web jun 29 2023 autodata 3 18 is a comprehensive windows application that has been developed for analyzing the

parameters of car it is an advanced application which will let

[the pirate bay the galaxy s most resilient bittorrent site](#) - Dec 15 2021

web feb 2 2013 1 install ad3 18 from original cd 2 in c add copy b files from b folder part1 3 after that copy b files from b folder part2 4 turn off antivirus protection and

autodata full setup free download get into pc - Oct 05 2023

autodata is a comprehensive windows application that has been developed for analyzing the parameters of car it is an advanced application which will let the individuals to repair the cars it will also provide you details of all the mechanisms of the modern cars it has got an intuitive interface which will let see more

[autodata 3 18 crack free download herefiles](#) - Mar 30 2023

web autodata 3 18 full version is a comprehensive tool that can help you save time and money on car repair and maintenance p n p dir auto autodata 3 18 full

autodata 3 18 full version license integrated so 1 scribd - Sep 23 2022

web apr 22 2023 download autodata 3 45 offline setup free for windows 32 bit and 64 bit autodata is a powerful application for analyzing the components and the

autodata 3 18 full version 7 downloads available - Nov 25 2022

web november 1 2021 admin download autodata 3 45 free latest full version complete offline setup for windows 32 bit and 64 bit autodata 3 45 free download is a

[autodata 3 45 free download all pc world allpcworld](#) - Dec 27 2022

web auto data 3 18 autodata s core business is the research compilation and creation of technical information for use in independent automotive workshops for the repair and

autodata 3 45 crack full tech tools net archive org - Mar 18 2022

web aca les dejo como y donde descargar el autodata 3 18 2008 ya que e estado mirando y vi que muchos lo perçdian y no lo podian descargar autodata 2008 es la base de datos

[autodata 3 18 the ultimate guide to download and install fo](#) - Feb 26 2023

web autodata v3 18 license mapper new date crack download mirror 1 oct 31 2017 autodata crack 2020 free download is a powerful windows tool designed to analyze

[autodata 3 18 key crack serial keygen](#) - Nov 13 2021

web autodata 318 unlocking keys search for and download any torrent from the pirate bay using search query autodata direct download via magnet link

how to install and use autodata 3 38 github - Feb 14 2022

web oct 20 2019 just download and run the installer and it will install the latest autodata 3 45 full version no need for any extra steps during the installation process go here to

autodata 3 45 free download allpcworld - Oct 25 2022

web all rights reserved found 7 results for autodata 3 18 full version full version downloads available all hosted on high speed servers

autodata technical vehicle data autodata - Jul 02 2023

click on below button to start autodata full setup free download this is complete offline installer and standalone setup for see more

dk eyewitness above 10 vienna pocket travel guide - Apr 16 2022

web a laminate pull out card of vienna plus 6 full color area maps looking for more on vienna s culture history and attractions try their dk eyewitness wien or dk eyewitness austria about dk eyewitness per dk eyewitness we believe inside the power regarding discovering wee make it easy for you to discovery your dream destinations

dk eyewitness vienna 2019 travel guide amazon com - Sep 02 2023

web apr 16 2019 whether you want to explore the stunning gardens of schönbrunn palace gaze at gustav klimt s masterpieces at the belvedere or cycle along the danube embankment your dk eyewitness travel guide makes

dk eyewitness travel guide vienna amazon com - Apr 28 2023

web may 17 2016 dk eyewitness travel guide vienna will lead you straight to the best attractions this beautiful city has to offer explore schönbrunn palace experience the prater or simply spend a leisurely afternoon in one of the city s traditional coffeehouses discover dk eyewitness travel guide vienna

dk eyewitness vienna travel guide amazon co uk - Mar 28 2023

web dk eyewitness vienna this non fiction travel guide has the city covered for you with maps of the city quarters places to visit things to see eat and drink even things off the beaten track and what to do in the great outdoors

dk eyewitness top 10 vienna dk us - Aug 01 2023

web vienna may be famous for its monumental palaces and classical music scene but austria s capital isn t all about the past expect contemporary art galleries cool cafés and buzzing bars galore make the most of your trip to this elegant city with dk eyewitness top 10

dk eyewitness vienna dk us - May 30 2023

web try our dk eyewitness top 10 vienna a wealth of culture vienna puts art music and theatre at center stage whether you want to explore the stunning schönbrunn palace and gardens indulge in a slice of sachertorte at one of the city s grand cafés or see gustav klimt s masterpieces at the belvedere your dk eyewitness travel guide mak

dk eyewitness travel guide vienna waterstones - Jan 14 2022

web apr 1 2014 discover the best of vienna with this indispensable travel guide inside dk eyewitness travel guide vienna over 20 colour maps plus a large scale pull out city map help you navigate with ease simple layout makes it easy to find the information you need comprehensive tours and itineraries of vienna designed for every interest and

loading interface goodreads - Mar 16 2022

web discover and share books you love on goodreads

dk eyewitness vienna travel guide by dk eyewitness - Dec 13 2021

web whether you want to explore the stunning gardens of schönbrunn palace gaze at gustav klimt s masterpieces at the belvedere or cycle along the danube embankment your dk eyewitness travel guide makes sure you experience all that vienna has to offer

dk eyewitness travel guide vienna amazon com au - Feb 24 2023

web with hundreds of full color photographs hand drawn illustrations and custom maps that illuminate every page dk eyewitness travel guide vienna truly shows you this city as no one else can read more

travel dk uk - May 18 2022

web travel get closer to your journey with dk eyewitness filled with expert advice beautiful photographs and detailed illustrations our highly visual guides show you what others only tell you we publish guides to more than 200 destinations from handy pocket sized city guides to comprehensive country guides

dk eyewitness top 10 vienna pocket travel guide amazon com - Nov 11 2021

web nov 15 2022 dk eyewitness top 10 vienna pocket travel guide paperback november 15 2022 a city that emanates elegance vienna wows with its monumental palaces grand boulevards shimmering ballrooms and decadent café culture make the most of your trip to this beautiful city with dk eyewitness top 10

dk eyewitness travel guide vienna amazon co uk - Dec 25 2022

web apr 5 2018 dk eyewitness vienna travel guide 11 89 19 in stock the ideal travel companion full of insider advice on what to see and do plus detailed itineraries and comprehensive maps for exploring this impressive imperial city

dk eyewitness vienna by dk eyewitness waterstones - Oct 23 2022

web sep 22 2022 whether you want to explore the stunning gardens of schönbrunn palace gaze at gustav klimt s masterpieces at the belvedere or cycle along the danube embankment your dk eyewitness travel guide makes sure you experience all that vienna has to offer steeped in imperial splendour vienna delights at every turn

dk eyewitness travel guide vienna amazon com - Sep 21 2022

web apr 17 2018 dk eyewitness vienna travel guide 20 49 in stock packed with fantastic photographs illustrations and maps

plus detailed descriptions and useful advice this unbeatable guide will lead you to the best of vienna

dk eyewitness top 10 vienna pocket travel guide paperback - Jan 26 2023

web 4 8 54 ratings see all formats and editions a city that emanates elegance vienna wows with its monumental palaces grand boulevards shimmering ballrooms and decadent café culture make the most of your trip to this beautiful city with dk eyewitness top 10

dk eyewitness top 10 vienna pocket travel guide - Jul 20 2022

web aug 22 2023 isbn 9780241618752 pages 160 quantity add to wishlist available formats usually ships in 1 to 5 days description vienna may be famous for its monumental palaces and classical music scene but austria s capital isn t all about the past expect contemporary art galleries cool cafés and buzzing bars galore

dk eyewitness top 10 vienna pocket travel guide - Jun 18 2022

web inside dk eyewitness top 10 vienna you will find up to date information with instant special and advice for firm safe back 10 lists from vienna s must sees including stephansdom that hofburg the belvedere and hundertwasserhaus vienna s largest interesting territories with the best places for sightseeing food and drink and shopping

dk eyewitness vienna dk uk - Oct 03 2023

web whether you want to explore the stunning gardens of schönbrunn palace gaze at gustav klimt s masterpieces at the belvedere or cycle along the danube embankment your dk eyewitness travel guide makes sure you experience all that vienna has to offer

dk eyewitness top 10 vienna pocket travel guide amazon com - Jun 30 2023

web aug 22 2023 dk eyewitness top 10 vienna pocket travel guide paperback folded map august 22 2023 vienna may be famous for its monumental palaces and classical music scene but austria s capital isn t all about the past expect contemporary art galleries cool cafés and buzzing bars galore

dk eyewitness vienna 2019 travel guide paperback - Nov 23 2022

web apr 4 2019 our recently updated guide brings vienna to life transporting you there like no other travel guide does with expert led insights and advice detailed breakdowns of all the must see sights photographs on practically every page and our hand drawn illustrations which place you inside the city s iconic buildings and neighbourhoods you ll discover

dk eyewitness top 10 vienna 2020 travel guide pocket - Aug 21 2022

web try our dk eyewitness travel guide vienna or planning to explore austria further try our dk eyewitness travel guide austria about dk eyewitness travel dk s top 10 guides take the work out of planning a short trip with easy to read maps tips and tours to inform and enrich your weekend trip or cultural break dk is the world s leading

dk eyewitness top 10 istanbul dk uk - Feb 12 2022

web dk eyewitness travel guides have been helping travellers to make the most of their breaks since 1993 filled with expert advice striking photography and detailed illustrations our highly visual dk eyewitness guides will get you closer to your next adventure we publish guides to more than 200 destinations from pocket sized city guides to

[jagdliches brauchtum und jägersprache vivat de](#) - Feb 26 2022

web jagdliches brauchtum und jägersprache walter frevert 20 00 inkl mwst zzgl versandkosten versandfertig in 87 tagen lieferzeit 1 3 tage 1 in den warenkorb merken kauf auf rechnung mit dem absenden der daten stimme ich den agb und den datenschutzbestimmungen zu informationen zu den inhalten und zum versand über

jagdliches brauchtum und jägersprache amazon de - Jan 08 2023

web das buch wird seinem titel gerecht und gibt einen interessanten und umfassenden einblick in das jagdliche brauchtum und die jägersprache vor allem das brauchtum ist für personen die nicht von jugend an mit der jagd vertraut sind sehr interessant dargestellt

[jagdliches brauchtum wissen für die jägerprüfung](#) - May 12 2023

web das jagdliche brauchtum umfasst die verhaltensweisen und gepflogenheiten der jäger untereinander und während der jagdausübung die grundlage bildet die waidmannssprache als fachsprache der jäger auch die waidgerechtigkeit liegt im brauchtum begründet das prinzip der trophäe als zier und samlleobjekt für den

jagdliches brauchtum und jägersprache von walter frevert - Jun 13 2023

web seit vielen jägergenerationen ist walter freverts werk maßstab und richtschnur in allen fragen des jagdlichen brauchtums und der jagdlichen ausdrucksweise ob auf der gesellschaftsjagd beim schüsseltreiben oder einfach nur im gespräch mit anderen vertretern weiterlesen

jagdliches brauchtum und jägersprache landesjagdverband - Nov 06 2022

web ob auf der gesellschaftsjagd beim schüsseltreiben oder einfach nur im gespräch mit anderen vertretern der grünen zunft mit diesem buch bewegen sich unerfahrene sowie erfahrene jäger in jeder jagdlichen situation auf sicherem parkett der modernisierte jagdknigge inklusive tonbeispielen wichtiger jagdsignale maße 22 3 x 14 6 x

[jagdliches brauchtum und jägersprache weltbild](#) - Aug 03 2022

web seit vielen jägergenerationen ist walter freverts werk maßstab und richtschnur in allen fragen des jagdlichen brauchtums und der jagdlichen ausdrucksweise ob auf der gesellschaftsjagd beim schüsseltreiben oder einfach nur im gespräch mit anderen

buch jagdliches brauchtum und jägersprache djv jagd shop - Jul 02 2022

web für jäger ist der sichere und gute umgang mit der waffe essentiell und unerlässlich und wie uns allen bekannt ist gilt auch hier Übung macht den meister geübt wird dabei auf dem schießstand oder im schießkino denn dort herrscht eine mehr

erfahren

[jägersprache jagdliches brauchtum jagdkultur auf der spur](#) - Dec 27 2021

web jägersprache jagdliches brauchtum jagdkultur auf der spur youtube was verstehen wir unter dem jagdlichen brauchtum zu den traditionellen verhaltensweisen der jägerinnen und jäger

jagdliches brauchtum und jägersprache amazon de - Apr 11 2023

web das renommierte und seit langem eingeführte nachschlagewerk des bis heute unvergessenen walter frevert vermittelt kompakt und übersichtlich das wesen und die bestandteile des jagdlichen brauchtums und erklärt alle begriffe der jägersprache ein muss für alle jäger und jagdscheinaspiranten

jagdliches brauchtum und jägersprache kosmos - Jul 14 2023

web seit vielen jägergenerationen ist walter freverts werk maßstab und richtschnur in allen fragen des jagdlichen brauchtums und der jagdlichen ausdrucksweise ob auf der gesellschaftsjagd beim schüsseltreiben oder einfach nur im gespräch mit anderen vertretern der grünen zunft mit diesem buch bewegen sich unerfahrenen sowie

jagdbrauchtum ursprünge des brauchtums der jagd jagd portal - Jun 01 2022

web jagd und brauchtum sind zwei begriffe die nicht von einander getrennt betrachtet werden können was wäre die jagd ohne tradition und brauchtum was wäre gerade das brauchtum ohne die jagd antwort eine reduktion auf bestimmte grund tätigkeiten ein profaner purismus der sich technokratisch darstellt

was bedeutet jagdliches brauchtum jagd1 - Apr 30 2022

web was bedeutet jagdliches brauchtum das jagdliche brauchtum ist so alt wie die jagd selbst und hat sich über jahrhunderte in bräuchen und sitten weiterentwickelt die heute für das jagdwesen typisch sind bei diesen gebräuchen ist vom verhalten des jägers während der jagd die rede

jagdliches brauchtum und jägersprache krautjunker - Feb 09 2023

web aug 5 2020 eines vorweg das buch jagdliches brauchtum und jägersprache ist die zusammenlegung der ehemals separat erschienen bücher jagdliches brauchtum und wörterbuch der jägerei der kosmos verlag schreibt über das buch seit vielen jägergenerationen ist das werk von walter frevert die richtschnur in fragen der

jagd jagdliches brauchtum jagdhorn jägersprache und alles - Dec 07 2022

web jagd ist brauchtum jeder jäger betreibt brauchtumspflege ob bewusst oder unbewusst denn jagen ist brauchtum brauchtum fängt bei der jägersprache an und hört beim jagdhornblasen auf dazwischen finden wir viele verschiedene aspekte des brauchtums

[jagdliches brauchtum und jägersprache krautjunker](#) - Jan 28 2022

web jagdliches brauchtum und jägersprache buchvorstellung von andré brüggemann des waidmanns ursprung liegt entfernt

dem paradise nah da war kein kaufmann kein soldat kein arzt kein pfaff kein advokat doch jäger waren da
[jagdliches brauchtum wikipedia](#) - Aug 15 2023

web das jagdliche brauchtum beschreibt die summe der traditionellen verhaltensweisen und gepflogenheiten im jagdwesen die jäger untereinander und während der jagd ausüben es sollte nicht mit der waidgerechtigkeit verwechselt oder auf sie reduziert werden die allerdings ein teil davon ist

jagdliches brauchtum und jägersprache gebundene ausgabe amazon de - Oct 05 2022

web seit vielen jägergenerationen ist walter freverts buch das nachschlagewerk zu allen fragen des jagdlichen brauchtums und der jägersprache der klassiker wurde jetzt nutzenorientiert erweitert und um tonbeispiele der wichtigsten jagdsignale ergänzt

jagdliches brauchtum und jägersprache der jagdknigge - Mar 10 2023

web jagdliches brauchtum und jägersprache der jagdknigge kindle ausgabe von walter frevert autor format kindle ausgabe 142 sternbewertungen alle formate und editionen anzeigen kindle 14 99 lies mit kostenfreier app gebundenes buch 20 00 4 gebraucht ab 20 00 29 neu ab 20 00

jagdliches brauchtum und jägersprache - Mar 30 2022

web jagdliches brauchtum und jägersprache walter frevert 2020 02 13 seit vielen jägergenerationen ist walter freverts werk maßstab und richtschnur in allen fragen des jagdlichen brauchtums und der jagdlichen ausdrucksweise ob auf der gesellschaftsjagd beim schüsseltreiben oder einfach nur im gespräch mit anderen

[jagdliches brauchtum und jägersprache lehmanns de](#) - Sep 04 2022

web seit vielen jägergenerationen ist walter freverts werk maßstab und richtschnur in allen fragen des jagdlichen brauchtums und der jagdlichen ausdrucksweise mit diesem buch bewegen sich unerfahrene sowie erfahrene jäger in