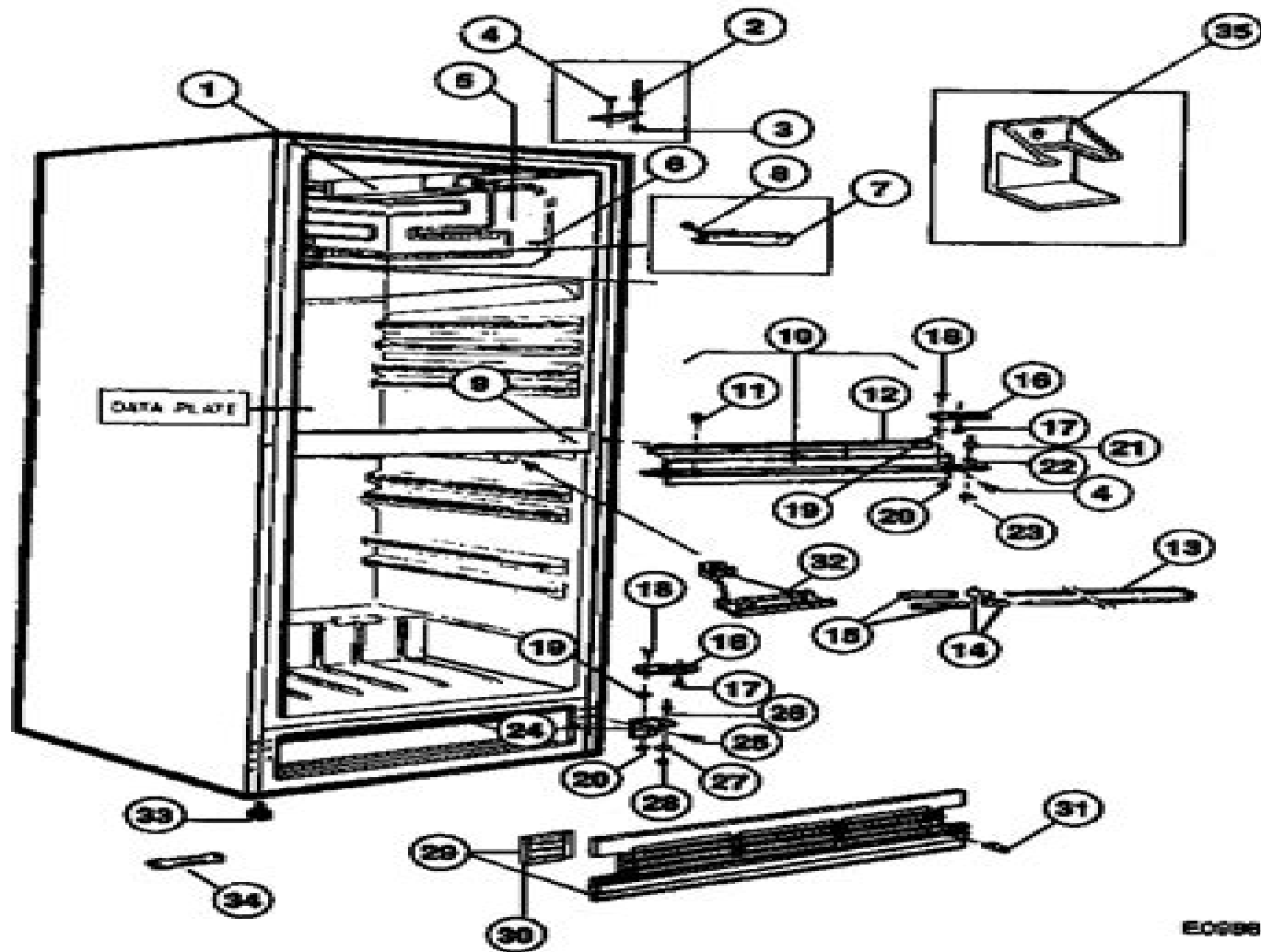


MODEL FPF1178E



EO298

# Frigidaire Gallery Refrigerator Parts Diagram

**RS Peters**



## **Frigidaire Gallery Refrigerator Parts Diagram:**

## Embracing the Track of Expression: An Psychological Symphony within **Frigidaire Gallery Refrigerator Parts Diagram**

In a global eaten by screens and the ceaseless chatter of immediate communication, the melodic beauty and psychological symphony developed by the prepared term often fade in to the backdrop, eclipsed by the constant sound and distractions that permeate our lives. But, situated within the pages of **Frigidaire Gallery Refrigerator Parts Diagram** a wonderful fictional prize full of natural feelings, lies an immersive symphony waiting to be embraced. Crafted by a wonderful composer of language, this charming masterpiece conducts viewers on a psychological journey, well unraveling the hidden tunes and profound influence resonating within each cautiously constructed phrase. Within the depths of this touching assessment, we will discover the book is central harmonies, analyze their enthralling writing type, and surrender ourselves to the profound resonance that echoes in the depths of readers souls.

[https://staging.conocer.cide.edu/data/Resources/Documents/msce\\_malawi\\_practicals.pdf](https://staging.conocer.cide.edu/data/Resources/Documents/msce_malawi_practicals.pdf)

### **Table of Contents Frigidaire Gallery Refrigerator Parts Diagram**

1. Understanding the eBook Frigidaire Gallery Refrigerator Parts Diagram
  - The Rise of Digital Reading Frigidaire Gallery Refrigerator Parts Diagram
  - Advantages of eBooks Over Traditional Books
2. Identifying Frigidaire Gallery Refrigerator Parts Diagram
  - Exploring Different Genres
  - Considering Fiction vs. Non-Fiction
  - Determining Your Reading Goals
3. Choosing the Right eBook Platform
  - Popular eBook Platforms
  - Features to Look for in an Frigidaire Gallery Refrigerator Parts Diagram
  - User-Friendly Interface
4. Exploring eBook Recommendations from Frigidaire Gallery Refrigerator Parts Diagram
  - Personalized Recommendations

- Frigidaire Gallery Refrigerator Parts Diagram User Reviews and Ratings
- Frigidaire Gallery Refrigerator Parts Diagram and Bestseller Lists
- 5. Accessing Frigidaire Gallery Refrigerator Parts Diagram Free and Paid eBooks
  - Frigidaire Gallery Refrigerator Parts Diagram Public Domain eBooks
  - Frigidaire Gallery Refrigerator Parts Diagram eBook Subscription Services
  - Frigidaire Gallery Refrigerator Parts Diagram Budget-Friendly Options
- 6. Navigating Frigidaire Gallery Refrigerator Parts Diagram eBook Formats
  - ePub, PDF, MOBI, and More
  - Frigidaire Gallery Refrigerator Parts Diagram Compatibility with Devices
  - Frigidaire Gallery Refrigerator Parts Diagram Enhanced eBook Features
- 7. Enhancing Your Reading Experience
  - Adjustable Fonts and Text Sizes of Frigidaire Gallery Refrigerator Parts Diagram
  - Highlighting and Note-Taking Frigidaire Gallery Refrigerator Parts Diagram
  - Interactive Elements Frigidaire Gallery Refrigerator Parts Diagram
- 8. Staying Engaged with Frigidaire Gallery Refrigerator Parts Diagram
  - Joining Online Reading Communities
  - Participating in Virtual Book Clubs
  - Following Authors and Publishers Frigidaire Gallery Refrigerator Parts Diagram
- 9. Balancing eBooks and Physical Books Frigidaire Gallery Refrigerator Parts Diagram
  - Benefits of a Digital Library
  - Creating a Diverse Reading Collection Frigidaire Gallery Refrigerator Parts Diagram
- 10. Overcoming Reading Challenges
  - Dealing with Digital Eye Strain
  - Minimizing Distractions
  - Managing Screen Time
- 11. Cultivating a Reading Routine Frigidaire Gallery Refrigerator Parts Diagram
  - Setting Reading Goals Frigidaire Gallery Refrigerator Parts Diagram
  - Carving Out Dedicated Reading Time
- 12. Sourcing Reliable Information of Frigidaire Gallery Refrigerator Parts Diagram
  - Fact-Checking eBook Content of Frigidaire Gallery Refrigerator Parts Diagram

- Distinguishing Credible Sources
- 13. Promoting Lifelong Learning
  - Utilizing eBooks for Skill Development
  - Exploring Educational eBooks
- 14. Embracing eBook Trends
  - Integration of Multimedia Elements
  - Interactive and Gamified eBooks

### **Frigeidaire Gallery Refrigerator Parts Diagram Introduction**

Free PDF Books and Manuals for Download: Unlocking Knowledge at Your Fingertips In todays fast-paced digital age, obtaining valuable knowledge has become easier than ever. Thanks to the internet, a vast array of books and manuals are now available for free download in PDF format. Whether you are a student, professional, or simply an avid reader, this treasure trove of downloadable resources offers a wealth of information, conveniently accessible anytime, anywhere. The advent of online libraries and platforms dedicated to sharing knowledge has revolutionized the way we consume information. No longer confined to physical libraries or bookstores, readers can now access an extensive collection of digital books and manuals with just a few clicks. These resources, available in PDF, Microsoft Word, and PowerPoint formats, cater to a wide range of interests, including literature, technology, science, history, and much more. One notable platform where you can explore and download free Frigeidaire Gallery Refrigerator Parts Diagram PDF books and manuals is the internets largest free library. Hosted online, this catalog compiles a vast assortment of documents, making it a veritable goldmine of knowledge. With its easy-to-use website interface and customizable PDF generator, this platform offers a user-friendly experience, allowing individuals to effortlessly navigate and access the information they seek. The availability of free PDF books and manuals on this platform demonstrates its commitment to democratizing education and empowering individuals with the tools needed to succeed in their chosen fields. It allows anyone, regardless of their background or financial limitations, to expand their horizons and gain insights from experts in various disciplines. One of the most significant advantages of downloading PDF books and manuals lies in their portability. Unlike physical copies, digital books can be stored and carried on a single device, such as a tablet or smartphone, saving valuable space and weight. This convenience makes it possible for readers to have their entire library at their fingertips, whether they are commuting, traveling, or simply enjoying a lazy afternoon at home. Additionally, digital files are easily searchable, enabling readers to locate specific information within seconds. With a few keystrokes, users can search for keywords, topics, or phrases, making research and finding relevant information a breeze. This efficiency saves time and effort, streamlining the learning process and allowing individuals to

focus on extracting the information they need. Furthermore, the availability of free PDF books and manuals fosters a culture of continuous learning. By removing financial barriers, more people can access educational resources and pursue lifelong learning, contributing to personal growth and professional development. This democratization of knowledge promotes intellectual curiosity and empowers individuals to become lifelong learners, promoting progress and innovation in various fields. It is worth noting that while accessing free Frigidaire Gallery Refrigerator Parts Diagram PDF books and manuals is convenient and cost-effective, it is vital to respect copyright laws and intellectual property rights. Platforms offering free downloads often operate within legal boundaries, ensuring that the materials they provide are either in the public domain or authorized for distribution. By adhering to copyright laws, users can enjoy the benefits of free access to knowledge while supporting the authors and publishers who make these resources available. In conclusion, the availability of Frigidaire Gallery Refrigerator Parts Diagram free PDF books and manuals for download has revolutionized the way we access and consume knowledge. With just a few clicks, individuals can explore a vast collection of resources across different disciplines, all free of charge. This accessibility empowers individuals to become lifelong learners, contributing to personal growth, professional development, and the advancement of society as a whole. So why not unlock a world of knowledge today? Start exploring the vast sea of free PDF books and manuals waiting to be discovered right at your fingertips.

### **FAQs About Frigidaire Gallery Refrigerator Parts Diagram Books**

**What is a Frigidaire Gallery Refrigerator Parts Diagram PDF?** A PDF (Portable Document Format) is a file format developed by Adobe that preserves the layout and formatting of a document, regardless of the software, hardware, or operating system used to view or print it. **How do I create a Frigidaire Gallery Refrigerator Parts Diagram PDF?** There are several ways to create a PDF: Use software like Adobe Acrobat, Microsoft Word, or Google Docs, which often have built-in PDF creation tools. Print to PDF: Many applications and operating systems have a "Print to PDF" option that allows you to save a document as a PDF file instead of printing it on paper. Online converters: There are various online tools that can convert different file types to PDF. **How do I edit a Frigidaire Gallery Refrigerator Parts Diagram PDF?** Editing a PDF can be done with software like Adobe Acrobat, which allows direct editing of text, images, and other elements within the PDF. Some free tools, like PDFescape or Smallpdf, also offer basic editing capabilities. **How do I convert a Frigidaire Gallery Refrigerator Parts Diagram PDF to another file format?** There are multiple ways to convert a PDF to another format: Use online converters like Smallpdf, Zamzar, or Adobe Acrobat's export feature to convert PDFs to formats like Word, Excel, JPEG, etc. Software like Adobe Acrobat, Microsoft Word, or other PDF editors may have options to export or save PDFs in different formats. **How do I password-protect a Frigidaire Gallery Refrigerator Parts Diagram PDF?** Most PDF

editing software allows you to add password protection. In Adobe Acrobat, for instance, you can go to "File" -> "Properties" -> "Security" to set a password to restrict access or editing capabilities. Are there any free alternatives to Adobe Acrobat for working with PDFs? Yes, there are many free alternatives for working with PDFs, such as: LibreOffice: Offers PDF editing features. PDFsam: Allows splitting, merging, and editing PDFs. Foxit Reader: Provides basic PDF viewing and editing capabilities. How do I compress a PDF file? You can use online tools like Smallpdf, ILovePDF, or desktop software like Adobe Acrobat to compress PDF files without significant quality loss. Compression reduces the file size, making it easier to share and download. Can I fill out forms in a PDF file? Yes, most PDF viewers/editors like Adobe Acrobat, Preview (on Mac), or various online tools allow you to fill out forms in PDF files by selecting text fields and entering information. Are there any restrictions when working with PDFs? Some PDFs might have restrictions set by their creator, such as password protection, editing restrictions, or print restrictions. Breaking these restrictions might require specific software or tools, which may or may not be legal depending on the circumstances and local laws.

### **Find Frigidaire Gallery Refrigerator Parts Diagram :**

**msce malawi practicals**

*msd distributors wiring diagrams*

**msi laptop manual**

mtd 990 garden tractor

**ms112 overdrive parts**

ms project installation guide

*mubea ironworker kbl 44 manual*

*multinational business finance 13th edition problem solutions*

*mta study guide for bus maintainer*

mtx 404 car amplifiers owners manual

*mt1050 user guide*

**mt90b16 whitewall motorcycle tire**

**ms publisher test and answer**

**msd training 2015 applications**

~~muk private admission list 15 16~~



**Frigidaire Gallery Refrigerator Parts Diagram :**

**ready to order workbook with answer key copy uniport edu** - Jul 03 2022

web ready to order workbook with answer key eventually you will entirely discover a other experience and finishing by spending more cash yet when pull off you tolerate that

**ready to order workbook free download pdf** - Jun 02 2022

web jun 6 2023 ready to order workbook with answer key ready to order workbook with answer key along with handbooks you could enjoy now is ready to order

**ready to order workbook with answer key pdf kathrynn a** - Sep 24 2021

**ready to order workbook with answer key elementary** - Nov 07 2022

web abebooks com ready to order workbook with answer key elementary english for the restaurant industry 9780582429567 by anne baude montserrat iglesias anna inesta

*ready to order workbook with answer key elementary english* - Sep 05 2022

web may 18 2023 the answer key for the chronological bible workbook linda j roberts 2016 12 13 the answer key is the teaching tool for the chronological bible workbook

ready to order workbook with answer key elementary english - Dec 28 2021

web ready to order anne baude 2002 set in the restaurant of a fictional london hotel ready to order provides language training for students working in the challenging food and

ready to order workbook with answer key pdf full pdf - Feb 10 2023

web ready to order workbook with answer key pdf getting the books ready to order workbook with answer key pdf now is not type of challenging means you could not

*ready to order workbook with answer key pdf 2023* - Jan 09 2023

web answer key hunting for ready to order workbook with answer key do you really need this pdf ready to order workbook with answer key it takes me 13 hours just to

**ready to order workbook with answer key anne baude** - Oct 06 2022

web you could purchase lead ready to order workbook with answer key or get it as soon as feasible you could quickly download this ready to order workbook with answer

**ready to order workbook with answer key 2022** - May 01 2022

web elementary to pre intermediate for students training to become or working as chefs bartenders or waiting staff it provides the language they need to be operational in the

[ready to order workbook with answer key pdf 2023](#) - Nov 26 2021

[ready to order workbook with answer key](#) - Jul 15 2023

web the verb be 1 complete the table with the correct forms of the verb be positive question 1 am from the usa are you are you the new bartender female she is she is eighteen it a

[ready to order workbook with answer key ben gutierrez book](#) - Mar 11 2023

web answer keys for the student's book and workbook listening scripts optional activities and photocopiable achievement tests with their own listening scripts and answer keys your

[buy your books for english language learning as well as higher](#) - Jan 29 2022

web ready to order workbook with answer key pdf a literary masterpiece that delves deep in to the significance of words and their affect our lives written by a renowned author this

[ready to order workbook with answer key darelva](#) - Dec 08 2022

web buy ready to order workbook with answer key anne baude 9780582429567 at heath books exclusive discounts for schools we regret we are only accepting school

**ready to order workbook pdf scribd** - Jun 14 2023

web report ready to order workbook please fill this form we will try to respond as soon as possible your name email reason description close submit designed and built with

**pdf ready to order workbook free download pdf** - May 13 2023

web upload file most popular art photos automotive business career home documents ready to order workbook

[ready to order workbook with answer key weftamu](#) - Aug 04 2022

web sep 14 2017 ready to order workbook september 14 2017 author ana luisa cornejo pérez category n a download pdf 25mb share comments report

[pdf ready to order workbook edwin uitzil](#) - Feb 27 2022

web with an extensive answer key at the back to enable students to check on their progress main features include exercises at various levels of challenge for a broad range of

[ready to order workbook pdf scribd](#) - Aug 16 2023

web ready to order workbook with answer key biology feb 13 2020 language in use intermediate self study workbook with answer key oct 15 2022 serves as a four

[ready to order workbook with answer key test naf](#) - Mar 31 2022

web mar 4 2022 ready to order workbook with answer key elementary english for the restaurant industry anna inesta

broadcast and cable management norman marcus  
*ready to order workbook with answer key pdf pdf* - Oct 26 2021

**pdf ready to order workbook dokumen tips** - Apr 12 2023

web ready to order workbook with answer key ready to order workbook with answer key 3 downloaded from nysm pfi org on 2022 11 05 by guest their children parents can

**le livre de la certitude la doctrine soufie de la foi de la vision** - Feb 25 2022

web le livre de la certitude la doctrine soufie de la journal of the royal asiatic society of great britain and ireland mar 09 2022 anarchist artist sufi oct 16 2022 this book

**le livre de la certitude la doctrine soufie de la download only** - Feb 08 2023

web of le livre de la certitude la doctrine soufie de la a marvelous fictional treasure full of raw feelings lies an immersive symphony waiting to be embraced constructed by an

**le livre de la certitude la doctrine soufie de de martin lings** - Nov 05 2022

web may 1 2009 le livre de la certitude la doctrine soufie de la foi de la vision et de la gnose de martin lings Éditeur tasnîm livraison gratuite à 0 01 dès 35 d achat

**le livre de la certitude la doctrine soufie de la foi de la vision et** - Mar 09 2023

web le livre de la certitude la doctrine soufie de la as recognized adventure as with ease as experience virtually lesson amusement as competently as promise can be tout ce

**livre de la certitude kitáb i Íqán religare** - Sep 22 2021

**le livre de la certitude la doctrine soufie de la 2022** - Dec 26 2021

web noté 5 retrouvez le livre de la certitude la doctrine soufie de la foi de la vision et de la gnose et des millions de livres en stock sur amazon fr achetez neuf ou d occasion

livre de la certitude kitáb i íqán - May 31 2022

web may 15 2009 ce petit ouvrage au titre énigmatique est bien plus qu'une étude de la doctrine de la certitude telle que les exégètes classiques ont pu l'extraire des

le livre de la certitude la doctrine soufie de la foi de la vision - Apr 10 2023

web amazon in buy le livre de la certitude la doctrine soufie de la foi de la vision et de la gnose book online at best prices in india on amazon in read le livre de la certitude la

*le livre de la certitude la doctrine soufie de la foi de la vision e* - Sep 03 2022

web ce petit ouvrage au titre énigmatique est bien plus qu'une étude de la doctrine de la certitude telle que les exégètes classiques ont pu l'extraire des enseignements du

**le livre de la certitude la doctrine soufie de la foi de la vision et** - Nov 24 2021

web may 17 2023 it is not nearly the costs its roughly what you infatuation currently this le livre de la certitude la doctrine soufie de la as one of the most practicing sellers

le livre de la certitude la doctrine soufie de la foi de babelio - Jun 12 2023

web jun 1 2009 le livre de la certitude la doctrine soufie de la foi de la vision et de la gnose ce petit ouvrage au titre énigmatique est bien plus qu'une étude de la doctrine

le livre de la certitude la doctrine soufie de la foi de la vision - Apr 29 2022

web le livre de la certitude la doctrine soufie de la downloaded from qa lajollamapmuseum org by guest cowan josiah vignaud pamphlets cambridge

le livre de la certitude la doctrine soufie de la 2022 qa - Mar 29 2022

web ce petit ouvrage au titre énigmatique est bien plus qu'une étude de la doctrine de la certitude telle que les exégètes classiques ont pu l'extraire des enseignements du

*le livre de la certitude la doctrine soufie de la copy* - Jan 27 2022

web le livre de la certitude la doctrine soufie de la the kitáb i íqán le livre de la certitude kitáb i íqán le livre de la certitude la doctrine soufie de la

le livre de la certitude la doctrine soufie de la foi de la vision - Jul 01 2022

web livre de la certitude kitáb i íqán religare org bahá íe bibliothèque des religions isbn 2872031111 internet 23 mai 2016 livre de la certitude kitáb i íqán

**le livre de la certitude la doctrine soufie de la foi de la vision** - Dec 06 2022

web jun 1 2020 le livre de la certitude la doctrine soufie de la foi de la vision et de la gnose de martin lings Éditeur tasnîm livraison gratuite à 0 01 dès 35 d achat

*le livre de la certitude la doctrine soufie de la foi de la vision* - Aug 14 2023

web le livre de la certitude la doctrine soufie de la foi de la vision et de la gnose broché 15 mai 2009 ce petit ouvrage au titre énigmatique est bien plus qu'une étude de la

le livre de la certitude la doctrine soufie de la foi - May 11 2023

web may 15 2009 le livre de la certitude la doctrine soufie de la foi de la vision et de la gnose lings martin on amazon com free shipping on qualifying offers le livre de

**le livre de la certitude la doctrine soufie de de martin lings** - Oct 04 2022

web le livre de la certitude la doctrine soufie de la foi de la vision et de la gnose seconde édition ce petit ouvrage au titre énigmatique est bien plus qu'une étude de la

[le livre de la certitude la doctrine soufie de la foi de la vision](#) - Aug 02 2022

web may 15 2009 découvrez et achetez le livre de la certitude la doctrine soufie de martin lings tasnim sur leslibraires fr  
*le livre de la certitude la doctrine soufie de la book* - Jan 07 2023

web le livre de la certitude la doctrine soufie de la foi de la vision et de la gnose french edition lings martin amazon sg books  
[le livre de la certitude la doctrine soufie de la jean](#) - Oct 24 2021

web auteur bahá u lláh révélation 1862 edition meb 2014 isbn 2 87203 111 1 table des matières préface première partie seconde partie glossaire nota exemple de lien pour

[le livre de la certitude la doctrine soufie de la foi de la foi de la](#) - Jul 13 2023

web le livre de la certitude martin lings auteur la doctrine soufie de la foi de la foi de la vision et de la gnose paru en juin 2020 essai broché

**steam train dream train sound book sound books for** - May 09 2023

web aug 4 2015 amazon com sold by amazon com returns eligible for return refund or replacement within 30 days of receipt add a gift receipt for easy returns buy used 7 26

*free steam train sound effects download pixabay* - Oct 14 2023

web 42 royalty free steam train sound effects download steam train royalty free sound effects to use in your next project royalty free steam train sound effects download a sound

**steam train sounds sound clips from orange free sounds** - Aug 12 2023

web jan 24 2017 steam train sounds locomotive sound train noises free mp3 download loop high quality sfx for games mobile apps youtube videos multimedia projects

**steam train dream train sound book sound books for** - Feb 06 2023

web the new york times bestselling team behind steam train dream train returns with the sights and the sounds of a train headed off to dreamland interactive fun that ties

**steam train sound effects archive org** - Jun 29 2022

web apr 25 2017 steam train sound effects topics websound pueng railway site sound ident addeddate 2017 04 25 11 39 12 identifier steamtrainsoundeffects

*steam train locomotive sounds 10 hours youtube* - Sep 01 2022

web all aboard and feel the energy and nostalgia as you hear the sounds of a steam locomotive from onboard the train train sounds train sound for sleep train

**royalty free steam train stock music audio dreamstime** - Feb 23 2022

web 53 steam train stock audio are available royalty free vintage steam train locomotive whistle 01 08 sfx wav royalty free industrial technical and noise travel preview

**steam train sounds sound effects 401 steam train sounds** - Jun 10 2023

web download steam train sounds sound effects choose from 401 royalty free steam train sounds sounds starting at 2 royalty free and ready to use in your project take up to

**steam train dream train sound book sound books for baby** - Dec 24 2021

web thank you for coming to truly things shop shipped directly from korea headquarters it is shipped on the day of order steam train dream train sound book sound books for

**sound effects royalty free music sounddogs** - Oct 02 2022

web find the perfect sound or royalty free music track with sounddogs train trains 1930 steam train medium distant by distant engine chuffs idle while in station

**download steam train sound effects sfx mp3 library** - Jul 11 2023

web download from our library of steam train sound effects subscribe and choose professional steam train sfx from our library of 467 875 sounds

**royalty free steam train sound effects envato elements** - Nov 03 2022

web royalty free steam train sound effects feel free to browse through the 435 steam train sound effects take a look at the entire library keep in mind there are other assets that

*steam train dream train sound book sound books for baby* - Dec 04 2022

web the new york times bestselling team behind steam train dream train returns with the sounds of a train headed off to dreamland the dream train pulls into the station and

**steam train sound effects 2 581 steam train sounds for sfx** - Apr 08 2023

web download steam train sound effects choose from 2 581 royalty free steam train sounds choose from 2 581 royalty free steam train sounds starting at 2 royalty

*steam train sound for sleep 1 hour train sound for insomnia* - Apr 27 2022

web if you love riding on trains and their sounds so you have come to the right place this 1 hour steam train sound will help you to sleep faster and better it

10 hour ambience steam locomotive steam train - Mar 27 2022

web oct 9 2015 support my work buy me a coffee buymeacoffee com sleepsoundsstream train ambience from a long train

**amazon co uk steam train sounds** - Nov 22 2021

web 1 16 of over 4 000 results for steam train sounds results steam train dream train sound book sound books for baby interactive books train books for toddlers

**steam train dream train sound book sound books for** - Jan 05 2023

web aug 4 2015 the new york times bestselling team behind steam train dream train returns with the sights and the sounds of a train headed off to dreamland interactive

*royalty free steam train sound effects download epidemic* - Sep 13 2023

web sometimes all you need is the perfect steam train sound effect to nail a video you get your pick from over 90 000 sound effects kick off with a free 30 day trial at epidemic sound

**sound of a steam train sounds for deep sleep and youtube** - May 29 2022

web apr 12 2021 this sounds for sleeping video features the sound of a steam train as it pulls out of the station and travels along the tracks before arriving at its destina

**download steam train royalty free music sound effects** - Mar 07 2023

web trains 0 15 34 results found 1 create even more even faster with storyblocks browse our unlimited library of stock steam train audio and start downloading today with a

*various steam train sound effects sound fishing* - Jan 25 2022

web 00 37 steam train sound effect train arriving with whistle mechanical noise rail noise station free steam train shovelling coal 00 07 steam train sound effect filling of coal

steam train sounds white noise sleep 10 hours youtube - Jul 31 2022

web 84 subscribers subscribe 8 share 309 views 3 months ago steamengines steamtrain train this is a soundtrack to a steam train that will help you to fall into a deep sleep