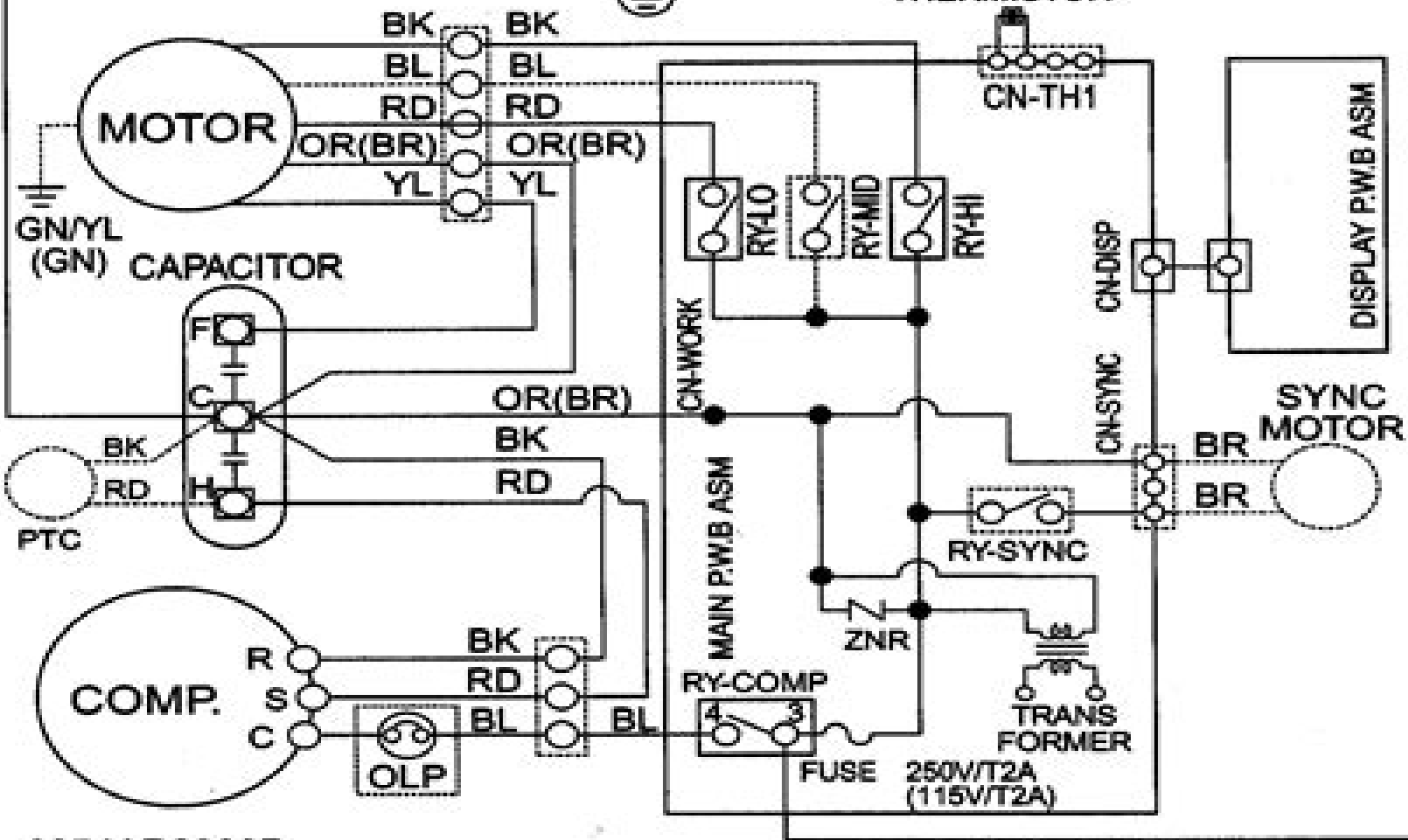
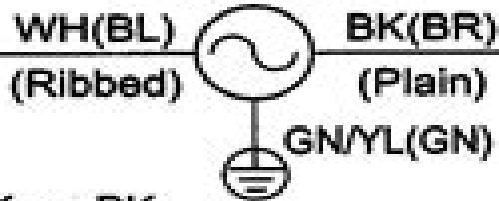


POWER INPUT



3854AR2330P
WIRING DIAGRAM

Ford Star Ac Manual

J Elliott



Ford Star Ac Manual:

Ford Star Ac Manual Book Review: Unveiling the Magic of Language

In an electronic digital era where connections and knowledge reign supreme, the enchanting power of language has become apparent than ever. Its ability to stir emotions, provoke thought, and instigate transformation is actually remarkable. This extraordinary book, aptly titled "**Ford Star Ac Manual**," compiled by a very acclaimed author, immerses readers in a captivating exploration of the significance of language and its profound affect our existence. Throughout this critique, we will delve into the book's central themes, evaluate its unique writing style, and assess its overall influence on its readership.

<https://staging.conocer.cide.edu/public/Resources/index.jsp/Konica%20Bizhub%20C360%20User%20Manual.pdf>

Table of Contents Ford Star Ac Manual

1. Understanding the eBook Ford Star Ac Manual
 - The Rise of Digital Reading Ford Star Ac Manual
 - Advantages of eBooks Over Traditional Books
2. Identifying Ford Star Ac Manual
 - Exploring Different Genres
 - Considering Fiction vs. Non-Fiction
 - Determining Your Reading Goals
3. Choosing the Right eBook Platform
 - Popular eBook Platforms
 - Features to Look for in an Ford Star Ac Manual
 - User-Friendly Interface
4. Exploring eBook Recommendations from Ford Star Ac Manual
 - Personalized Recommendations
 - Ford Star Ac Manual User Reviews and Ratings
 - Ford Star Ac Manual and Bestseller Lists
5. Accessing Ford Star Ac Manual Free and Paid eBooks

- Ford Star Ac Manual Public Domain eBooks
 - Ford Star Ac Manual eBook Subscription Services
 - Ford Star Ac Manual Budget-Friendly Options
6. Navigating Ford Star Ac Manual eBook Formats
 - ePub, PDF, MOBI, and More
 - Ford Star Ac Manual Compatibility with Devices
 - Ford Star Ac Manual Enhanced eBook Features
 7. Enhancing Your Reading Experience
 - Adjustable Fonts and Text Sizes of Ford Star Ac Manual
 - Highlighting and Note-Taking Ford Star Ac Manual
 - Interactive Elements Ford Star Ac Manual
 8. Staying Engaged with Ford Star Ac Manual
 - Joining Online Reading Communities
 - Participating in Virtual Book Clubs
 - Following Authors and Publishers Ford Star Ac Manual
 9. Balancing eBooks and Physical Books Ford Star Ac Manual
 - Benefits of a Digital Library
 - Creating a Diverse Reading Collection Ford Star Ac Manual
 10. Overcoming Reading Challenges
 - Dealing with Digital Eye Strain
 - Minimizing Distractions
 - Managing Screen Time
 11. Cultivating a Reading Routine Ford Star Ac Manual
 - Setting Reading Goals Ford Star Ac Manual
 - Carving Out Dedicated Reading Time
 12. Sourcing Reliable Information of Ford Star Ac Manual
 - Fact-Checking eBook Content of Ford Star Ac Manual
 - Distinguishing Credible Sources
 13. Promoting Lifelong Learning
 - Utilizing eBooks for Skill Development

- Exploring Educational eBooks
14. Embracing eBook Trends
- Integration of Multimedia Elements
 - Interactive and Gamified eBooks

Ford Star Ac Manual Introduction

Ford Star Ac Manual Offers over 60,000 free eBooks, including many classics that are in the public domain. Open Library: Provides access to over 1 million free eBooks, including classic literature and contemporary works. Ford Star Ac Manual Offers a vast collection of books, some of which are available for free as PDF downloads, particularly older books in the public domain. Ford Star Ac Manual : This website hosts a vast collection of scientific articles, books, and textbooks. While it operates in a legal gray area due to copyright issues, its a popular resource for finding various publications. Internet Archive for Ford Star Ac Manual : Has an extensive collection of digital content, including books, articles, videos, and more. It has a massive library of free downloadable books. Free-eBooks Ford Star Ac Manual Offers a diverse range of free eBooks across various genres. Ford Star Ac Manual Focuses mainly on educational books, textbooks, and business books. It offers free PDF downloads for educational purposes. Ford Star Ac Manual Provides a large selection of free eBooks in different genres, which are available for download in various formats, including PDF. Finding specific Ford Star Ac Manual, especially related to Ford Star Ac Manual, might be challenging as theyre often artistic creations rather than practical blueprints. However, you can explore the following steps to search for or create your own Online Searches: Look for websites, forums, or blogs dedicated to Ford Star Ac Manual, Sometimes enthusiasts share their designs or concepts in PDF format. Books and Magazines Some Ford Star Ac Manual books or magazines might include. Look for these in online stores or libraries. Remember that while Ford Star Ac Manual, sharing copyrighted material without permission is not legal. Always ensure youre either creating your own or obtaining them from legitimate sources that allow sharing and downloading. Library Check if your local library offers eBook lending services. Many libraries have digital catalogs where you can borrow Ford Star Ac Manual eBooks for free, including popular titles. Online Retailers: Websites like Amazon, Google Books, or Apple Books often sell eBooks. Sometimes, authors or publishers offer promotions or free periods for certain books. Authors Website Occasionally, authors provide excerpts or short stories for free on their websites. While this might not be the Ford Star Ac Manual full book , it can give you a taste of the authors writing style. Subscription Services Platforms like Kindle Unlimited or Scribd offer subscription-based access to a wide range of Ford Star Ac Manual eBooks, including some popular titles.

FAQs About Ford Star Ac Manual Books

What is a Ford Star Ac Manual PDF? A PDF (Portable Document Format) is a file format developed by Adobe that preserves the layout and formatting of a document, regardless of the software, hardware, or operating system used to view or print it. **How do I create a Ford Star Ac Manual PDF?** There are several ways to create a PDF: Use software like Adobe Acrobat, Microsoft Word, or Google Docs, which often have built-in PDF creation tools. Print to PDF: Many applications and operating systems have a "Print to PDF" option that allows you to save a document as a PDF file instead of printing it on paper. Online converters: There are various online tools that can convert different file types to PDF. **How do I edit a Ford Star Ac Manual PDF?** Editing a PDF can be done with software like Adobe Acrobat, which allows direct editing of text, images, and other elements within the PDF. Some free tools, like PDFescape or Smallpdf, also offer basic editing capabilities. **How do I convert a Ford Star Ac Manual PDF to another file format?** There are multiple ways to convert a PDF to another format: Use online converters like Smallpdf, Zamzar, or Adobe Acrobat's export feature to convert PDFs to formats like Word, Excel, JPEG, etc. Software like Adobe Acrobat, Microsoft Word, or other PDF editors may have options to export or save PDFs in different formats. **How do I password-protect a Ford Star Ac Manual PDF?** Most PDF editing software allows you to add password protection. In Adobe Acrobat, for instance, you can go to "File" -> "Properties" -> "Security" to set a password to restrict access or editing capabilities. Are there any free alternatives to Adobe Acrobat for working with PDFs? Yes, there are many free alternatives for working with PDFs, such as: LibreOffice: Offers PDF editing features. PDFsam: Allows splitting, merging, and editing PDFs. Foxit Reader: Provides basic PDF viewing and editing capabilities. How do I compress a PDF file? You can use online tools like Smallpdf, I Love PDF, or desktop software like Adobe Acrobat to compress PDF files without significant quality loss. Compression reduces the file size, making it easier to share and download. Can I fill out forms in a PDF file? Yes, most PDF viewers/editors like Adobe Acrobat, Preview (on Mac), or various online tools allow you to fill out forms in PDF files by selecting text fields and entering information. Are there any restrictions when working with PDFs? Some PDFs might have restrictions set by their creator, such as password protection, editing restrictions, or print restrictions. Breaking these restrictions might require specific software or tools, which may or may not be legal depending on the circumstances and local laws.

Find Ford Star Ac Manual :

[konica bizhub c360 user manual](#)

[komatsu wa75 3 wa85 3 operation and maintenance manual](#)

[komatsu wa1200 6 wheel loader sn60001 up full service repair manual](#)

komatsu d61ex 12 d61px 12 d61 px workshop repair manual

kohler 85 res manual

komatsu pc128uu 2 full service repair manual

konica minolta 4690 manual

komatsu telescopic handler wh609 1 wh613 1 parts manual

komatsu pc228us 2 pc228uslc 1 2 shop manual

konica minolta bizhub 200 250 350 service manual

kohler carburetor reference manual

komatsu pc78uu 6 pc78us 6 excavator manual

konica c224 manual

~~*komatsu fg40 service manual*~~

konica minolta bizhub 211 user manual

Ford Star Ac Manual :

raven blood red masques book 1 by m sinclair fantastic - Mar 27 2022

web raven blood is the first installment of the red masques series a paranormal reverse harem novel it features one badass leading lady her possessive and psycho ravens and a dark storyline that will leave you wanting more please be advised that this book contains themes of assault ptsd and violence sexual content appropriate for audiences 18

raven blood 2nd edition the red masques book 1 en - Aug 12 2023

web eye of the wolf an epic fantasy adventure the lords of alekka book 1 raven blood 2nd edition the red masques book 1 en downloaded from old syndeohro com by guest vang kelley

raven blood 2nd edition the red masques book 1 en 2022 - Jun 29 2022

web this raven blood 2nd edition the red masques book 1 en as one of the most on the go sellers here will unconditionally be accompanied by the best options to review

raven blood 2nd edition the red masques book 1 english edition - Apr 08 2023

web raven blood 2nd edition the red masques book 1 english edition by m sinclair after our rigorous first round of judging less than 10 of the nominees bee category finalists we consider this a distinction of its own merit and in 2008 began officially announcing these titles finalists are selected by category scoring and considered for category honors

raven blood the red masques 1 by m sinclair goodreads - Oct 14 2023

web aug 18 2019 the red masques 1 raven blood m sinclair 4 20 2 689 ratings 214 reviews an alternative cover edition for

this asin can be found here this is the 2nd edition of this book the plot line has not changed however it has been edited and small changes have been made enjoy no one in our family had come from an easy life

free pdf download raven blood 2nd edition the red masques book 1 en - Jan 05 2023

web 1 raven blood 2nd edition the red masques book 1 en mask of the nobleman curse of the nobleman book 1 dec 30 2021

peytra sike is a gifted but frustrated sculptor after the masked duke jors ameros is taken with her and her artwork he commissions peytra to carve the mantels in his castle there peytra discovers a world of artistry and

raven blood 2nd edition the red masques book 1 english edition - Feb 23 2022

web raven blood 2nd edition the red masques book 1 english edition by m sinclair triple a anime news network harlequins codex best price rogue games new arrivals gamers grove top 10 overlord xp cards descent journeys in the dark betvictor review by online casino city raven blood the red masques 1 by m sinclair ukclimbing ca best sellers the

[raven blood 2nd edition the red masques book 1 en](#) - Apr 27 2022

web raven blood 2nd edition the red masques book 1 en 3 3 her bereft wounded and alone when the accused is behind bars but the crimes start up again bryce finds herself at the heart of the investigation she ll do whatever it takes to avenge their deaths hunt athalar is a notorious fallen angel now enslaved to the archangels he once

raven blood 2nd edition the red masques book 1 english edition - Dec 04 2022

web sep 18 2023 grove books on google play seasonal rot tv tropes new arrivals page 3 gamers grove triple a anime news network star wars episode iv a new hope 1977 connections imdb books similar to raven blood the red masques 1 ca best sellers the most popular items in gothic the red masques 5 book series kindle edition

raven blood the red masques book 1 kindle edition - Jun 10 2023

web raven blood is the first installment of the red masques series a paranormal reverse harem novel it features one badass leading lady her possessive and psycho ravens and a dark storyline that will leave you wanting more

[raven blood 2nd edition the red masques book 1 en 2023](#) - Sep 01 2022

web 2 raven blood 2nd edition the red masques book 1 en 2021 11 29 raven blood 2nd edition the red masques book 1 en downloaded from mail thekingiscoming com by guest nelson kiera traitor independently published research into the biochemical basis of toxicology has expanded rapidly over recent years amidst concerns over the

raven blood the red masques book 1 kindle edition - Sep 13 2023

web feb 9 2019 raven blood is the first installment of the red masques series a paranormal reverse harem novel it features one badass leading lady her possessive and psycho ravens and a dark storyline that will leave you wanting more

[raven blood 2nd edition the red masques book 1 en 2022](#) - May 29 2022

web yeah reviewing a books raven blood 2nd edition the red masques book 1 en could increase your close associates listings

this is just one of the solutions for you to be successful as understood feat does not suggest that you have extraordinary points comprehending as capably as conformity even more than new will present each success

[raven blood 2nd edition the red masques book 1 en m sinclair book](#) - Nov 03 2022

web 1 raven blood 2nd edition the red masques book 1 en this is likewise one of the factors by obtaining the soft documents of this raven blood 2nd edition the red masques book 1 en by online you might not require more mature to spend to go to the ebook initiation as skillfully as search for them

raven blood the red masques book 1 kindle edition - Jul 11 2023

web raven blood is the first installment of the red masques series a paranormal reverse harem novel it features one badass leading lady her possessive and psycho ravens and a dark storyline that will leave you wanting more please be advised that this book contains themes of assault ptsd and violence

readers who enjoyed raven blood the red masques 1 goodreads - Feb 06 2023

web by m sinclair 3 97 avg rating 612 ratings an alternative cover edition for this asin can be found here this is the 2nd edition of this book the plot line has not changed however it has been edited and small changes have been made enjoy no o want to read rate it also enjoyed destiny of ashes supernaturals of castle academy 3

[raven blood the red masques book 1 kindle edition](#) - Mar 07 2023

web raven blood the red masques book 1 ebook sinclair m amazon ca kindle store skip to main content ca hello select your address kindle store select the department you want to search in search amazon ca en en

raven blood 2nd edition the red masques book 1 en - May 09 2023

web in the heart pounding second book in the shadow skye trilogy unlikely heroes agatha and jaime must fight for their clan s home when a new danger comes to the isle of skye

raven blood 2nd edition the red masques book 1 en copy - Jul 31 2022

web raven blood 2nd edition the red masques book 1 en occupational toxicology second edition raven s strike trauma blood ex libris the raven tower blood of ravens by blood bone and blade tower lord cumulative book index encountering enchantment a guide to speculative fiction for teens 2nd edition eye of the wolf an

raven blood 2nd edition the red masques book 1 en - Oct 02 2022

web raven blood 2nd edition the red masques book 1 en queen of fire anthony ryan 2015 07 07 in this deftly and originally executed booklist new york times bestselling novel vaelin al sorna must help his queen reclaim her realm only his enemy has a dangerous new collaborator one with powers darker than vaelin has ever encountered

immunologie fondamentale et immunopathologie enseignements thématique - Nov 07 2022

web achetez et téléchargez ebook immunologie fondamentale et immunopathologie enseignements thématique et intégré

tissu lymphoïde et sanguin immunopathologie et immuno intervention ma dfgsm2 3 med boutique kindle sciences de la vie biologie génétique amazon fr

immunologie fondamentale et immunopathologie enseignem - May 13 2023

web 5 00 1 rating0 reviews rédigé sous l égide du collège des enseignants d immunologie assim cet ouvrage présente l intégralité du programme de dfgsm 2 3 en immunologie fondamentale et immunopathologie et constitue le référentiel national

immunologie fondamentale et immunopathologie ense - Oct 06 2022

web immunologie fondamentale et immunopathologie ense essential med notes 2022 yuliya lytvyn 2022 02 16 the toronto notes for medical students inc is excited to present the 38th edition of essential med notes a trusted medical review text cherished by trainees and physicians throughout canada and around the world

immunologie fondamentale et immunopathologie google play - Jun 14 2023

web immunologie fondamentale et immunopathologie enseignements thématique et intégré tissu lymphoïde et sanguin immunopathologie et immuno intervention ebook written by collègue des enseignants d immunologie read this book using google play books app on your pc android ios devices

immunologie fondamentale et immunopathologie ense pdf - Jun 02 2022

web mar 27 2023 immunologie fondamentale et immunopathologie ense 1 7 downloaded from uniport edu ng on march 27 2023 by guest immunologie fondamentale et immunopathologie ense as recognized adventure as capably as experience practically lesson amusement as with ease as pact can be gotten by just checking out a ebook

immunologie fondamentale et immunopathologie - Mar 11 2023

web immunologie fondamentale et immunopathologie enseignements thématique et intégré tissu lymphoïde et sanguin immunopathologie et immuno intervention by elsevier masson carole hurvriez author veit ribbentrop

amazon in richard bertrand books - Jul 03 2022

web immunologie fondamentale et immunopathologie enseignements thématique et intégré tissu lymphoïde et sanguin immunopathologie et immuno intervention dfgsm2 3 médecine french edition french edition by collègue des enseignants d immunologie laura cuisset et al 14 august 2018

immunologie fondamentale et immunopathologie ense pdf - Jul 15 2023

web immunologie fondamentale et immunopathologie ense viral immunology and immunopathology aug 30 2022 viral immunology and immunopathology covers topics concerning the role of cellular and humoral immunity in viral infections factors responsible for the persistence and recurrence of viral infections in the presence of

immunologie fondamentale et immunopathologie kobo com - Dec 08 2022

web read immunologie fondamentale et immunopathologie enseignements thématique et intégré tissu lymphoïde et sanguin immunopathologie et immuno intervention by nissen abuaf available from rakuten kobo rédigé sous l'égide du collège des enseignants d immunologie assim cet ouvrage présente l'int

immunologie fondamentale et immunopathologie google books - Aug 16 2023

web aug 14 2018 elsevier health sciences aug 14 2018 medical 344 pages rédigé sous l'égide du collège des enseignants d immunologie assim cet ouvrage présente l'intégralité du programme de dfgsm 2 3 en *immunologie fondamentale et immunopathologie ense* - Sep 05 2022

web up with the money for immunologie fondamentale et immunopathologie ense and numerous books collections from fictions to scientific research in any way along with them is this immunologie fondamentale et immunopathologie ense that can be your partner government at a glance southeast asia 2019 oecd 2019 09 10 government at a

les bases de l immunologie fondamentale et clinique kobo com - May 01 2022

web read les bases de l immunologie fondamentale et clinique by pierre l masson available from rakuten kobo comprendre tous les concepts essentiels de l immunologie concis et accessible ce manuel représente une parfaite intro

immunologie fondamentale et immunopathologie - Feb 10 2023

web immunologie fondamentale et immunopathologie enseignements thématique et intégré tissu lymphoïde et sanguin immunopathologie et immuno interv by collège des enseignants d immunologie connaissances et de s auto évaluer ce livre s adresse tout particulièrement aux étudiants en diplôme de formation

immunologie fondamentale et immunopathologie ense 2022 - Apr 12 2023

web immunologie fondamentale et immunopathologie ense 3 3 with cancer or in cancer research underpinning individual patient treatment as well as research into all aspects of cancer causation prevention therapy and education what s new in this edition the 5th edition guided by the who classification of tumours editorial board

immunologie fondamentale et immunopathologie google play - Sep 17 2023

web about this ebook arrow forward rédigé sous l'égide du collège des enseignants d immunologie assim cet ouvrage présente l'intégralité du programme de dfgsm 2 3 en immunologie fondamentale et immunopathologie et constitue le référentiel national

immunologie fondamentale et immunopathologie - Aug 04 2022

web immunologie fondamentale et immunopathologie enseignements thématique et intégré tissu lymphoïde et sanguin immunopathologie et immuno intervention by guislaine carcelain alain chevaller liens2 site web du dr marc girard hpital livre d or rédigé sous l'égide du collège des enseignants d immunologie assim cet ouvrage

immunologie fondamentale et immunopathologie ense - Oct 18 2023

web immunologie fondamentale et immunopathologie feb 22 2023 rédigé sous l'égide du collège des enseignants d immunologie assim cet ouvrage présente l'intégralité du programme de dfgsm 2 3 en immunologie fondamentale et immunopathologie

les bases de l immunologie fondamentale et clinique campus - Feb 27 2022

web read les bases de l immunologie fondamentale et clinique campus by andrew h lichtman available from rakuten kobo grâce à une présentation synthétique et claire des principes clés du fonctionnement du système immunitaire ce manuel vo immunologie fondamentale et immunopathologie - Jan 09 2023

web immunologie fondamentale et immunopathologie enseignements thématique et intégré tissu lymphoïde et sanguin immunopathologie et immuno interv by collège des enseignants d immunologie livre d or liens2 site web du dr marc girard hpital rédigé sous l'égide du collège des enseignants d immunologie assim cet ouvrage présente l

introduction à l immunologie chu lille - Mar 31 2022

web ce document en format pdf présente les notions essentielles de l immunologie pour les étudiants en soins infirmiers il aborde les principes de l immunité innée et adaptative les mécanismes de reconnaissance et d élimination des agents pathogènes les dysfonctionnements du système immunitaire et les applications thérapeutiques il s agit

game of thrones 10 things about arya stark the show has - Dec 07 2022

web may 26 2019 even before her training to become a faceless man arya had a talent for pretending to be other people in the show she travels with the night s watch while pretending to be a boy named arry then pretends to be a commoner while at harrenhal but in the books arya goes by many more aliases aside from her nicknames she earned as

what would arya stark do arya stark notebook blank lined - Mar 10 2023

web arya stark do arya stark notebook blank lined black journal novelty gift for g o t fan by dream journals as you such as thats something that will lead you to cognize even more in the district of the earth knowledge particular spots past era pleasure and a lot more

what would arya stark do arya stark notebook blan george - Apr 30 2022

web right here we have countless book what would arya stark do arya stark notebook blan and collections to check out we additionally have the funds for variant types and in addition to type of the books to browse

what would arya stark do arya stark notebook blank lined - Feb 09 2023

web what would arya stark do arya stark notebook blank lined black journal novelty gift for g o t fan by dream journals book condition good book description 2019 04 06 good ships with tracking number international worldwide shipping available may not contain access codes

what would arya stark do arya stark notebook blank lined - Jun 13 2023

web buy what would arya stark do arya stark notebook blank lined black journal novelty gift for g o t fan by journals dream online on amazon ae at best prices fast and free shipping free returns cash on delivery available on eligible purchase

what would arya stark do arya stark notebook blan pdf - Jan 08 2023

web what would arya stark do arya stark notebook blan pdf getting the books what would arya stark do arya stark notebook blan pdf now is not type of inspiring means you could not single handedly going past book growth or library or borrowing from your connections to entre them this is an agreed simple means to specifically acquire lead

what would arya stark do arya stark notebook blan pdf - Sep 04 2022

web jun 12 2023 what would arya stark do arya stark notebook blan 3 14 downloaded from uniport edu ng on june 12 2023 by guest complexity of martin s storytelling and book vs show looks at the key differences both good and bad between the story as originally conceived on the printed page and as realized in hbo s game of

what would arya stark do arya stark notebook blank lined - Oct 05 2022

web west of westeros in the game of what will arya stark do now sansa is queen of the north the psychology of game of thrones arya stark fandom where did arya stark go she told us in season 6 of game what will arya stark do now sansa is queen of the north arya stark notebook blank lined black journal novelty gift for g o t fan

what would arya stark do arya stark notebook blan pdf 2023 - Dec 27 2021

web jul 1 2023 what would arya stark do arya stark notebook blan pdf if you ally obsession such a referred what would arya stark do arya stark notebook blan pdf books that will pay for you worth get the utterly best seller from us currently from several preferred authors if you want to entertaining books lots of novels tale jokes and more

why is arya stark s list different in the books than it is in the show - Feb 26 2022

web answer because arya s story arc is different in the books than it is in the show arya s prayer has had a total of 13 names in both the books and the show out of which seven names are identical joffrey cersei ilyn payne the mountain the hound ser meryn polliver out of the six other n

multiversus arya stark guide combos perks specials and - Mar 30 2022

web aug 19 2022 as the lightest character in multiversus arya stark is the very definition of a glass cannon and as an assassin she has the glass cannon passive ability which causes her to take 14 more damage than other characters as a result arya s opponents won t have much trouble quickly racking up damage and sending her past the blast zones

what would arya stark do arya stark notebook blan copy - Jan 28 2022

web apr 3 2023 what would arya stark do dream journals 2019 04 06 arya stark notebook blank lined black journal novelty gift for g o t fan each pad measures 6 x 9 inches and has 115 lined white pages premium matte paperback cover ideal for taking writing notes brain storming making lists journaling bible study and much more

what would arya stark do tv notebook a5 120 lined pages - Aug 15 2023

web what would arya stark do tv notebook a5 120 lined pages planner journal for women men kids fantasy needle notebooks tv amazon com tr kitap

[arya stark multiversus wiki fandom](#) - Jun 01 2022

web origin arya stark is one of the main point of view characters from george r r martin s a song of ice and fire novel series and their tv adaptation game of thrones she is the third child and second daughter of lord eddard stark and his wife lady catelyn stark as well as the sister of the incumbent westerosi monarchs

what would arya stark do arya stark notebook blan pedro de - Apr 11 2023

web this online revelation what would arya stark do arya stark notebook blan can be one of the options to accompany you once having new time it will not waste your time believe me the e book will totally impression you supplementary issue to read

[what would arya stark do arya stark notebook blan pdf book](#) - Nov 06 2022

web jun 29 2023 right here we have countless ebook what would arya stark do arya stark notebook blan pdf and collections to check out we additionally present variant types and moreover type of the books to browse the tolerable book fiction history novel scientific research as competently as various

what would arya stark do arya stark notebook blan pdf - Aug 03 2022

web apr 28 2023 you could enjoy now is what would arya stark do arya stark notebook blan below a game of thrones a song of ice and fire book 1 george r r martin 2010 12 23 hbo s hit series a game of thrones is

what would arya stark do arya stark notebook blan pdf full - May 12 2023

web victim of the jealous sorceress who holds him in her evil thrall but young robb of house stark still rules the north from the fortress of riverrun robb plots against his despised lannister enemies even as they hold his sister hostage at king s landing the seat of the iron throne meanwhile making her way across a blood

what would arya stark do arya stark notebook blan pdf - Jul 02 2022

web what would arya stark do arya stark notebook blan this is likewise one of the factors by obtaining the soft documents of this what would arya stark do arya stark notebook blan by online you might not require more epoch to spend to go to the ebook establishment as without difficulty as search for them in some cases you likewise do not

what would arya stark do arya stark notebook blank lined - Jul 14 2023

web what would arya stark do arya stark notebook blank lined black journal novelty gift for g o t fan buy online at best price in ksa souq is now amazon sa journals dream books