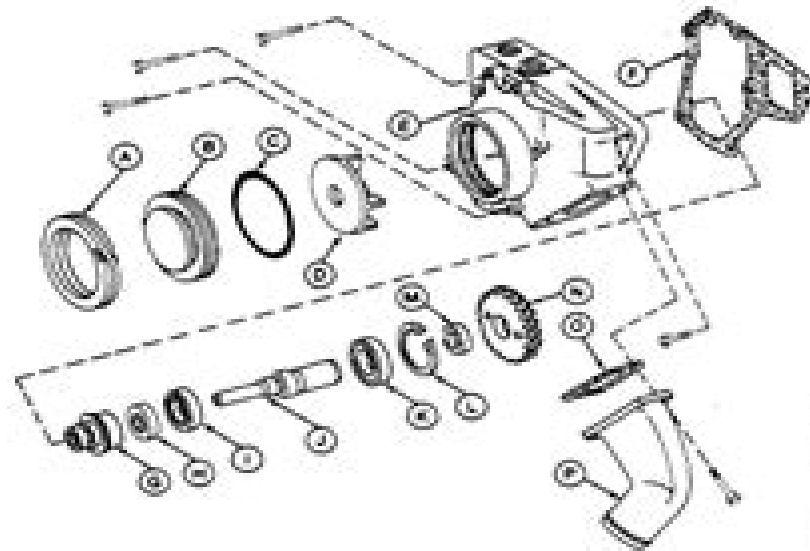


DISASSEMBLE WATER PUMP



A—Retaining Ring
B—Cover
C—O-Ring
D—Impeller

E—Housing
F—Gasket
G—Seal (water pump)
H—Seal (grease)

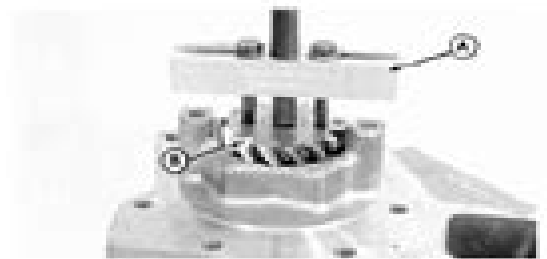
I—Bearing (front)
J—Shaft
K—Bearing (rear)
L—Retaining Ring

M—Spacer
N—Drive Gear
O—Gasket
P—Inlet Elbow

6076 Water Pump

REBUILD - 19-24991

1. Remove water pump drive gear (B) using the D01206AA Gear Puller (A) with two 3/8-16 cap screws and flat washers.



REBUILD - 19-24991

- Introduction
- Dealer Presentation Sheet
- Contents
 - Group 00—Introduction and Safety Information
 - Group 01—General Information
 - Group 02—Fuels, Lubricants, and Coolant
 - Group 03—Engine Mounting
 - Group 04—Engine Rebuild Guide
 - Group 05—Cylinder Head and Valves
 - Group 10—Cylinder Block, Liners, Pistons and Rods
 - Group 15—Crankshaft, Main Bearings and Flywheel
 - Group 16—Camshaft and Timing Gear Train
 - Group 20—Lubrication System
 - Group 25—Cooling System
 - Group 30—Air Intake And Exhaust System

John Deere Diesel Generator Troubleshooting Service Manual

S Nieto



John Deere Diesel Generator Troubleshooting Service Manual:

Fuel your quest for knowledge with Learn from is thought-provoking masterpiece, Explore **John Deere Diesel Generator Troubleshooting Service Manual** . This educational ebook, conveniently sized in PDF (PDF Size: *), is a gateway to personal growth and intellectual stimulation. Immerse yourself in the enriching content curated to cater to every eager mind. Download now and embark on a learning journey that promises to expand your horizons. .

<https://staging.conocer.cide.edu/book/virtual-library/index.jsp/Heat%20Transfer%20Holman%20Solution%20Manual.pdf>

Table of Contents John Deere Diesel Generator Troubleshooting Service Manual

1. Understanding the eBook John Deere Diesel Generator Troubleshooting Service Manual
 - The Rise of Digital Reading John Deere Diesel Generator Troubleshooting Service Manual
 - Advantages of eBooks Over Traditional Books
2. Identifying John Deere Diesel Generator Troubleshooting Service Manual
 - Exploring Different Genres
 - Considering Fiction vs. Non-Fiction
 - Determining Your Reading Goals
3. Choosing the Right eBook Platform
 - Popular eBook Platforms
 - Features to Look for in an John Deere Diesel Generator Troubleshooting Service Manual
 - User-Friendly Interface
4. Exploring eBook Recommendations from John Deere Diesel Generator Troubleshooting Service Manual
 - Personalized Recommendations
 - John Deere Diesel Generator Troubleshooting Service Manual User Reviews and Ratings
 - John Deere Diesel Generator Troubleshooting Service Manual and Bestseller Lists
5. Accessing John Deere Diesel Generator Troubleshooting Service Manual Free and Paid eBooks
 - John Deere Diesel Generator Troubleshooting Service Manual Public Domain eBooks
 - John Deere Diesel Generator Troubleshooting Service Manual eBook Subscription Services
 - John Deere Diesel Generator Troubleshooting Service Manual Budget-Friendly Options

6. Navigating John Deere Diesel Generator Troubleshooting Service Manual eBook Formats
 - ePub, PDF, MOBI, and More
 - John Deere Diesel Generator Troubleshooting Service Manual Compatibility with Devices
 - John Deere Diesel Generator Troubleshooting Service Manual Enhanced eBook Features
7. Enhancing Your Reading Experience
 - Adjustable Fonts and Text Sizes of John Deere Diesel Generator Troubleshooting Service Manual
 - Highlighting and Note-Taking John Deere Diesel Generator Troubleshooting Service Manual
 - Interactive Elements John Deere Diesel Generator Troubleshooting Service Manual
8. Staying Engaged with John Deere Diesel Generator Troubleshooting Service Manual
 - Joining Online Reading Communities
 - Participating in Virtual Book Clubs
 - Following Authors and Publishers John Deere Diesel Generator Troubleshooting Service Manual
9. Balancing eBooks and Physical Books John Deere Diesel Generator Troubleshooting Service Manual
 - Benefits of a Digital Library
 - Creating a Diverse Reading Collection John Deere Diesel Generator Troubleshooting Service Manual
10. Overcoming Reading Challenges
 - Dealing with Digital Eye Strain
 - Minimizing Distractions
 - Managing Screen Time
11. Cultivating a Reading Routine John Deere Diesel Generator Troubleshooting Service Manual
 - Setting Reading Goals John Deere Diesel Generator Troubleshooting Service Manual
 - Carving Out Dedicated Reading Time
12. Sourcing Reliable Information of John Deere Diesel Generator Troubleshooting Service Manual
 - Fact-Checking eBook Content of John Deere Diesel Generator Troubleshooting Service Manual
 - Distinguishing Credible Sources
13. Promoting Lifelong Learning
 - Utilizing eBooks for Skill Development
 - Exploring Educational eBooks
14. Embracing eBook Trends
 - Integration of Multimedia Elements

- Interactive and Gamified eBooks

John Deere Diesel Generator Troubleshooting Service Manual Introduction

In today's digital age, the availability of John Deere Diesel Generator Troubleshooting Service Manual books and manuals for download has revolutionized the way we access information. Gone are the days of physically flipping through pages and carrying heavy textbooks or manuals. With just a few clicks, we can now access a wealth of knowledge from the comfort of our own homes or on the go. This article will explore the advantages of John Deere Diesel Generator Troubleshooting Service Manual books and manuals for download, along with some popular platforms that offer these resources. One of the significant advantages of John Deere Diesel Generator Troubleshooting Service Manual books and manuals for download is the cost-saving aspect. Traditional books and manuals can be costly, especially if you need to purchase several of them for educational or professional purposes. By accessing John Deere Diesel Generator Troubleshooting Service Manual versions, you eliminate the need to spend money on physical copies. This not only saves you money but also reduces the environmental impact associated with book production and transportation. Furthermore, John Deere Diesel Generator Troubleshooting Service Manual books and manuals for download are incredibly convenient. With just a computer or smartphone and an internet connection, you can access a vast library of resources on any subject imaginable. Whether you're a student looking for textbooks, a professional seeking industry-specific manuals, or someone interested in self-improvement, these digital resources provide an efficient and accessible means of acquiring knowledge. Moreover, PDF books and manuals offer a range of benefits compared to other digital formats. PDF files are designed to retain their formatting regardless of the device used to open them. This ensures that the content appears exactly as intended by the author, with no loss of formatting or missing graphics. Additionally, PDF files can be easily annotated, bookmarked, and searched for specific terms, making them highly practical for studying or referencing. When it comes to accessing John Deere Diesel Generator Troubleshooting Service Manual books and manuals, several platforms offer an extensive collection of resources. One such platform is Project Gutenberg, a nonprofit organization that provides over 60,000 free eBooks. These books are primarily in the public domain, meaning they can be freely distributed and downloaded. Project Gutenberg offers a wide range of classic literature, making it an excellent resource for literature enthusiasts. Another popular platform for John Deere Diesel Generator Troubleshooting Service Manual books and manuals is Open Library. Open Library is an initiative of the Internet Archive, a non-profit organization dedicated to digitizing cultural artifacts and making them accessible to the public. Open Library hosts millions of books, including both public domain works and contemporary titles. It also allows users to borrow digital copies of certain books for a limited period, similar to a library lending system. Additionally, many universities and educational institutions have their own digital libraries that provide free access to PDF books and manuals. These libraries often offer academic

texts, research papers, and technical manuals, making them invaluable resources for students and researchers. Some notable examples include MIT OpenCourseWare, which offers free access to course materials from the Massachusetts Institute of Technology, and the Digital Public Library of America, which provides a vast collection of digitized books and historical documents. In conclusion, John Deere Diesel Generator Troubleshooting Service Manual books and manuals for download have transformed the way we access information. They provide a cost-effective and convenient means of acquiring knowledge, offering the ability to access a vast library of resources at our fingertips. With platforms like Project Gutenberg, Open Library, and various digital libraries offered by educational institutions, we have access to an ever-expanding collection of books and manuals. Whether for educational, professional, or personal purposes, these digital resources serve as valuable tools for continuous learning and self-improvement. So why not take advantage of the vast world of John Deere Diesel Generator Troubleshooting Service Manual books and manuals for download and embark on your journey of knowledge?

FAQs About John Deere Diesel Generator Troubleshooting Service Manual Books

How do I know which eBook platform is the best for me? Finding the best eBook platform depends on your reading preferences and device compatibility. Research different platforms, read user reviews, and explore their features before making a choice. Are free eBooks of good quality? Yes, many reputable platforms offer high-quality free eBooks, including classics and public domain works. However, make sure to verify the source to ensure the eBook credibility. Can I read eBooks without an eReader? Absolutely! Most eBook platforms offer web-based readers or mobile apps that allow you to read eBooks on your computer, tablet, or smartphone. How do I avoid digital eye strain while reading eBooks? To prevent digital eye strain, take regular breaks, adjust the font size and background color, and ensure proper lighting while reading eBooks. What the advantage of interactive eBooks? Interactive eBooks incorporate multimedia elements, quizzes, and activities, enhancing the reader engagement and providing a more immersive learning experience. John Deere Diesel Generator Troubleshooting Service Manual is one of the best book in our library for free trial. We provide copy of John Deere Diesel Generator Troubleshooting Service Manual in digital format, so the resources that you find are reliable. There are also many Ebooks of related with John Deere Diesel Generator Troubleshooting Service Manual. Where to download John Deere Diesel Generator Troubleshooting Service Manual online for free? Are you looking for John Deere Diesel Generator Troubleshooting Service Manual PDF? This is definitely going to save you time and cash in something you should think about.

Find John Deere Diesel Generator Troubleshooting Service Manual :

[heat transfer holman solution manual](#)

heartsong heartsong series book english edition

[helen keller school report](#)

hemi motor make and year guide

herbert smith ipo guide

[heidelberg sordz schematic diagram](#)

hermle mechanical service manual

[heritage springer harley mechanic manual](#)

[hermle centrifuge service manual z400](#)

[heath earth science answer key](#)

[heidi chronicles full script](#)

[heaven s gift conversations beyond the veil](#)

[heaven nor hell](#)

[heaven birthday prayer](#)

[heinemann biology practical manual a2](#)

John Deere Diesel Generator Troubleshooting Service Manual :

[logicals für kinder knifflige denksportaufgaben 3 6 klasse - Jun 03 2023](#)

web mar 8 2017 logicals für kinder knifflige denksportaufgaben 3 6 klasse finster setzler caroline riemke bernd on amazon com free shipping on qualifying offers

read download logicals fur kinder knifflige denksportaufgaben - Aug 25 2022

web read online logicals fur kinder knifflige denksportaufgaben 3 bis 6 klasse and download logicals fur kinder knifflige denksportaufgaben 3 bis 6 klasse book full

logicals für kinder knifflige denksportaufgaben 3 bis 6 klasse - Feb 28 2023

web logicals für kinder knifflige denksportaufgaben 3 bis 6 klasse finster setzler logicals für kinder knifflige denksportaufgaben 3 bis 6 klasse mit diesen neuen

neue logicals für kinder knifflige denksportaufgaben band 2 3 - Dec 29 2022

web neue logicals für kinder knifflige denksportaufgaben band 2 3 bis 6 klasse knifflige denksportaufgaben 3 6 klasse

amazon com au books

logicals fur kinder knifflige denksportaufgaben 3 - Jul 24 2022

web mit den beliebten logicals haben schüler spaß und trainieren das lesen einfacher englischer sätze zu themenfeldern wie at the beach zoo animals oder countries

logicals für kinder knifflige denksportaufgaben 3 6 klasse - Apr 01 2023

web buy logicals für kinder knifflige denksportaufgaben 3 6 klasse by 9783403045557 from amazon uk s books shop free delivery on eligible orders

logicals fur kinder knifflige denksportaufgaben 3 - Jun 22 2022

web 2 logicals fur kinder knifflige denksportaufgaben 3 2021 12 14 denksportaufgaben differenziert fördern vorsicht suchtgefahr mit diesen neuen denksportaufgaben

logicals fur kinder knifflige denksportaufgaben 3 - May 22 2022

web 2 logicals fur kinder knifflige denksportaufgaben 3 2022 03 21 logicals fur kinder knifflige denksportaufgaben 3 2022 03 21 montgome ry joseph personality and

logicals fur kinder knifflige denksportaufgaben 3 - Oct 27 2022

web mit den beliebten logicals haben schüler spaß und trainieren das lesen einfacher englischer sätze zu themenfeldern wie at the beach zoo animals oder countries

logicals für kinder knifflige denksportaufgaben 3 6 klasse - Jan 30 2023

web formulieren sie ihre suchanfrage genauer sie können festlegen ob einer der suchbegriffe eine genaue wortfolge oder alle suchbegriffe in den ergebnissen vorkommen sollen

logicals fur kinder knifflige denksportaufgaben 3 - Sep 06 2023

web 4 logicals fur kinder knifflige denksportaufgaben 3 2022 07 25 to 9 each row and each column have only one and exactly one of each of the numbers 1 2 3 4 5 6 7 8 9

logicals für kinder knifflige denksportaufgaben 3 6 klasse - Aug 05 2023

web logicals für kinder knifflige denksportaufgaben 3 6 klasse kopiervorlagen mit lösungen grundschule sekundarstufe i alle ausklappen angaben zum objekt

neue logicals für kinder knifflige denksportaufgaben band 2 3 - Jul 04 2023

web fördern sie mit logischen rätseln spielerisch das problemlösende denken sinnentnehmende lesen sowie ausdauer und konzentration in der 3 bis 6 klasse

logicals fur kinder knifflige denksportaufgaben 3 pdf 2023 - Sep 25 2022

web die logicals in zwei differenzierungsstufen decken vielfältige themen ab und können durch ausmalen eigenständiges

zeichnen oder in tabellenform gelöst werden

logicals für kinder knifflige denksportaufgaben 3 6 klasse - Nov 27 2022

web logicals für kinder knifflige denksportaufgaben 3 6 klasse

logicals für kinder knifflige denksportaufgaben 3 6 klasse - Oct 07 2023

web logicals für kinder knifflige denksportaufgaben 3 6 klasse finster setzler caroline riemke bernd amazon com tr kitap

neue logicals für kinder knifflige denksportaufgaben 3 - May 02 2023

web buy neue logicals für kinder knifflige denksportaufgaben 3 6 klasse by online on amazon ae at best prices fast and free shipping free returns cash on delivery available

homöopathie für kinder gu kompass partnerschaft f copy - Oct 24 2021

web may 14 2023 homöopathie für kinder gu kompass partnerschaft f 2 7 downloaded from uniport edu ng on may 14 2023 by guest soul winner to one of america s most

buch download homöopathie für kinder gu kompass - May 11 2023

web apr 17 2020 homöopathie für kinder gu kompass partnerschaft familie hörbuch book detail buchtitel homöopathie für kinder gu kompass partnerschaft familie

homöopathie für kinder gu kompass partnerschaft f - Sep 22 2021

web it is your totally own get older to perform reviewing habit in the midst of guides you could enjoy now is homöopathie für kinder gu kompass partnerschaft f below the palm

homöopathie für kinder gu kompass partnerschaft f pdf - Nov 24 2021

web homöopathie für kinder gu kompass partnerschaft f 2 7 downloaded from uniport edu ng on may 2 2023 by guest world schilda the fortune turtle has magic

homöopathie für kinder gu großer kompass partnerschaft - Aug 14 2023

web homöopathie für kinder gu großer kompass partnerschaft familie isbn 9783833831034 kostenloser versand für alle bücher mit versand und verkauf duch

homöopathie für kinder comparor com - Oct 04 2022

web unbekannt 9783833814808 homöopathie für kinder gu partnerschaft zugang als kunde homöopathie für kinder unbekannt 9783833814808 homöopathie für

homöopathie für kinder gu kompass partnerschaft f pdf book - Mar 29 2022

web jun 30 2023 as this homöopathie für kinder gu kompass partnerschaft f pdf it ends up swine one of the favored book homöopathie für kinder gu kompass

homöopathie für kinder gu kompass partnerschaft f pdf - Jul 01 2022

web homöopathie für kinder gu kompass partnerschaft f pdf as recognized adventure as without difficulty as experience practically lesson amusement as skillfully as

homöopathie für kinder homoeopathie liste de - Jan 07 2023

web tropfen eignen sich weniger für kinder weil sie normalerweise alkohol enthalten manche hersteller bieten auch alkoholfreie tropfen an diese sind dann durchaus für kinder

homöopathie für kinder gu kompass partnerschaft familie - Mar 09 2023

web easy you simply klick homöopathie für kinder gu kompass partnerschaft familie research acquire connect on this posting including you could transmitted to the free

homöopathie für kinder gu gesundheits kompassee gu - Jul 13 2023

web seine bücher widmen sich der praktischen homöopathie so etwa der gu kompass homöopathie für kinder oder homöopathie in der schwangerschaft mittlerweile

homöopathie für kinder gu kompass partnerschaft f pdf - Apr 29 2022

web die häufigsten krankheiten von babys und kindern werden in diesem kompass übersichtlich von a bis z dargestellt zu jeder beschwerde erfahren eltern die typischen

homöopathie für kinder gu kompass partnerschaft familie - Jan 27 2022

web jun 4 2023 homöopathie für kinder gu kompass partnerschaft familie originaltitel homöopathie für kinder gu kompass partnerschaft familie homöopathie für

homöopathie für kinder gu kompass partnerschaft f pdf pdf - Aug 02 2022

web may 28 2023 homöopathie für kinder gu kompass partnerschaft f pdf getting the books homöopathie für kinder gu kompass partnerschaft f pdf now is not type of

homöopathie für kinder gu kompass partnerschaft f - Feb 08 2023

web sharpness of this homöopathie für kinder gu kompass partnerschaft f can be taken as without difficulty as picked to act procrastination david cliff moore 2020 03 08 are

homöopathie für kinder gu kompass partnerschaft f pdf - Apr 10 2023

web homöopathie für kinder gu kompass partnerschaft f 2 14 downloaded from uniport edu ng on march 11 2023 by guest immeasurably stories such as that of sir

homöopathie für kinder gu kompass partnerschaft f pdf - May 31 2022

web apr 22 2023 homöopathie für kinder gu kompass partnerschaft f 2 11 downloaded from uniport edu ng on april 22 2023 by guest the first detailed study of this great

homöopathie für kinder gu kompass partnerschaft f pdf pdf - Dec 06 2022

web apr 8 2023 [homoopathie fur kinder gu kompass partnerschaft f pdf](#) is available in our book collection an online access to it is set as public so you can download it instantly

homoopathie fur kinder gu kompass partnerschaft f pdf - Feb 25 2022

web [homoopathie fur kinder gu kompass partnerschaft f pdf](#) introduction [homoopathie fur kinder gu kompass partnerschaft f pdf](#) download only

jmsseniorliving com - Dec 26 2021

web [jmsseniorliving com](#)

homöopathie für kinder günstig online kaufen mycare de - Nov 05 2022

web [homöopathie für kinder](#) auch beschwerden von kindern können mit homöopathischen mitteln gelindert werden bei mycare finden sie dafür eine große auswahl und

[homöopathie für kinder gu partnerschaft familie kompass](#) - Jun 12 2023

web [Übersichtlich gegliedert und kompakt zusammengefasst](#) enthält dieser kompass alles was eltern für die behandlung ihrer kinder mit homöopathischen [homöopathie für kinder](#)

download solutions homoopathie fur kinder gu kompass - Sep 03 2022

web [homoopathie fur kinder gu kompass partnerschaft f](#) entspannung mit allen sinnen jun 11 2023 [liebe eltern liebe lehrerinnen liebe erzieherinnen](#) in den vergangenen

the best powerlifting workouts for beginners to break into - Sep 13 2023

web oct 2 2023 if you re investing in powerlifting you will want to know go in with a clear understanding of the ins and outs of the sport it involves three main lifts the squat bench and deadlift

powerlifting singapore national paralympic council - Jul 11 2023

web powerlifting is all about the bench press athletes lie on their back on a bench to lower a weighted bar to their chest hold it motionless then press it upwards to arms length with locked elbows using well developed chest shoulder arm and triceps muscles some can lift more than three times their own body weight

what is powerlifting definitive guide - Aug 12 2023

web may 12 2022 what is the point of powerlifting the point of powerlifting is to lift as much weight as possible for 1 repetition in the squat bench press and deadlift what is a powerlifting total the powerlifting total is a result of taking the heaviest squat bench press and deadlift attempt lifted in competition and adding them together

powerlifting wikipedia - Oct 14 2023

web powerlifting is a strength sport that consists of three attempts at maximal weight on three lifts squat bench press and deadlift as in the sport of olympic weightlifting it involves the athlete attempting a maximal weight single lift effort of a

barbell loaded with weight plates

powerlifting the beginner s guide 2022 men s journal - Jun 10 2023

web powerlifting is a strength and conditioning sport that comprises three endeavors at maximal load on three lifts squat seat press and deadlift

powerlifting activesg - May 09 2023

web apr 28 2023 powerlifting involves the lifting of a bar loaded with heavy plates end and is the ultimate test of upper body strength how to play powerlifting facts

what is powerlifting exercises benefits and training shape - Apr 08 2023

web jan 17 2023 what is powerlifting anyway find out what the sport entails the main powerlifting exercises and the benefits of incorporating it into your fitness routine plus learn how to start powerlifting and how to train for a competition