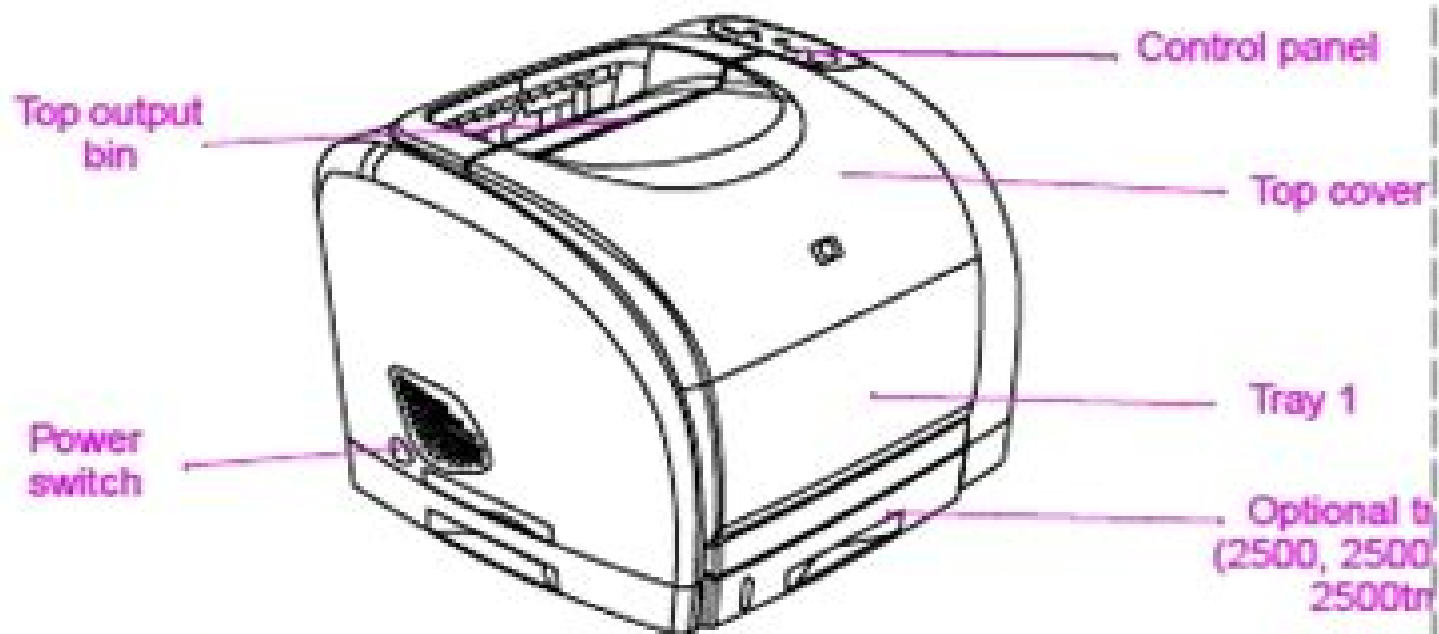


Front and left-side view



Front and left-side view

Preview: HP Color LaserJet 2500 service manual

[Download Now!](#)

Laserjet 2500 Service Manual

Marco Cascella



Laserjet 2500 Service Manual:

Immerse yourself in the artistry of words with is expressive creation, **Laserjet 2500 Service Manual** . This ebook, presented in a PDF format (Download in PDF: *), is a masterpiece that goes beyond conventional storytelling. Indulge your senses in prose, poetry, and knowledge. Download now to let the beauty of literature and artistry envelop your mind in a unique and expressive way.

<https://staging.conocer.cide.edu/results/virtual-library/Documents/geography%20question%20paper%20mains%202011.pdf>

Table of Contents Laserjet 2500 Service Manual

1. Understanding the eBook Laserjet 2500 Service Manual
 - The Rise of Digital Reading Laserjet 2500 Service Manual
 - Advantages of eBooks Over Traditional Books
2. Identifying Laserjet 2500 Service Manual
 - Exploring Different Genres
 - Considering Fiction vs. Non-Fiction
 - Determining Your Reading Goals
3. Choosing the Right eBook Platform
 - Popular eBook Platforms
 - Features to Look for in an Laserjet 2500 Service Manual
 - User-Friendly Interface
4. Exploring eBook Recommendations from Laserjet 2500 Service Manual
 - Personalized Recommendations
 - Laserjet 2500 Service Manual User Reviews and Ratings
 - Laserjet 2500 Service Manual and Bestseller Lists
5. Accessing Laserjet 2500 Service Manual Free and Paid eBooks
 - Laserjet 2500 Service Manual Public Domain eBooks
 - Laserjet 2500 Service Manual eBook Subscription Services
 - Laserjet 2500 Service Manual Budget-Friendly Options

6. Navigating Laserjet 2500 Service Manual eBook Formats
 - ePub, PDF, MOBI, and More
 - Laserjet 2500 Service Manual Compatibility with Devices
 - Laserjet 2500 Service Manual Enhanced eBook Features
7. Enhancing Your Reading Experience
 - Adjustable Fonts and Text Sizes of Laserjet 2500 Service Manual
 - Highlighting and Note-Taking Laserjet 2500 Service Manual
 - Interactive Elements Laserjet 2500 Service Manual
8. Staying Engaged with Laserjet 2500 Service Manual
 - Joining Online Reading Communities
 - Participating in Virtual Book Clubs
 - Following Authors and Publishers Laserjet 2500 Service Manual
9. Balancing eBooks and Physical Books Laserjet 2500 Service Manual
 - Benefits of a Digital Library
 - Creating a Diverse Reading Collection Laserjet 2500 Service Manual
10. Overcoming Reading Challenges
 - Dealing with Digital Eye Strain
 - Minimizing Distractions
 - Managing Screen Time
11. Cultivating a Reading Routine Laserjet 2500 Service Manual
 - Setting Reading Goals Laserjet 2500 Service Manual
 - Carving Out Dedicated Reading Time
12. Sourcing Reliable Information of Laserjet 2500 Service Manual
 - Fact-Checking eBook Content of Laserjet 2500 Service Manual
 - Distinguishing Credible Sources
13. Promoting Lifelong Learning
 - Utilizing eBooks for Skill Development
 - Exploring Educational eBooks
14. Embracing eBook Trends
 - Integration of Multimedia Elements

- Interactive and Gamified eBooks

Laserjet 2500 Service Manual Introduction

Laserjet 2500 Service Manual Offers over 60,000 free eBooks, including many classics that are in the public domain. Open Library: Provides access to over 1 million free eBooks, including classic literature and contemporary works. Laserjet 2500 Service Manual Offers a vast collection of books, some of which are available for free as PDF downloads, particularly older books in the public domain. Laserjet 2500 Service Manual : This website hosts a vast collection of scientific articles, books, and textbooks. While it operates in a legal gray area due to copyright issues, its a popular resource for finding various publications. Internet Archive for Laserjet 2500 Service Manual : Has an extensive collection of digital content, including books, articles, videos, and more. It has a massive library of free downloadable books. Free-eBooks Laserjet 2500 Service Manual Offers a diverse range of free eBooks across various genres. Laserjet 2500 Service Manual Focuses mainly on educational books, textbooks, and business books. It offers free PDF downloads for educational purposes. Laserjet 2500 Service Manual Provides a large selection of free eBooks in different genres, which are available for download in various formats, including PDF. Finding specific Laserjet 2500 Service Manual, especially related to Laserjet 2500 Service Manual, might be challenging as theyre often artistic creations rather than practical blueprints. However, you can explore the following steps to search for or create your own Online Searches: Look for websites, forums, or blogs dedicated to Laserjet 2500 Service Manual, Sometimes enthusiasts share their designs or concepts in PDF format. Books and Magazines Some Laserjet 2500 Service Manual books or magazines might include. Look for these in online stores or libraries. Remember that while Laserjet 2500 Service Manual, sharing copyrighted material without permission is not legal. Always ensure youre either creating your own or obtaining them from legitimate sources that allow sharing and downloading. Library Check if your local library offers eBook lending services. Many libraries have digital catalogs where you can borrow Laserjet 2500 Service Manual eBooks for free, including popular titles. Online Retailers: Websites like Amazon, Google Books, or Apple Books often sell eBooks. Sometimes, authors or publishers offer promotions or free periods for certain books. Authors Website Occasionally, authors provide excerpts or short stories for free on their websites. While this might not be the Laserjet 2500 Service Manual full book , it can give you a taste of the authors writing style. Subscription Services Platforms like Kindle Unlimited or Scribd offer subscription-based access to a wide range of Laserjet 2500 Service Manual eBooks, including some popular titles.

FAQs About Laserjet 2500 Service Manual Books

How do I know which eBook platform is the best for me? Finding the best eBook platform depends on your reading preferences and device compatibility. Research different platforms, read user reviews, and explore their features before making a choice. Are free eBooks of good quality? Yes, many reputable platforms offer high-quality free eBooks, including classics and public domain works. However, make sure to verify the source to ensure the eBook credibility. Can I read eBooks without an eReader? Absolutely! Most eBook platforms offer webbased readers or mobile apps that allow you to read eBooks on your computer, tablet, or smartphone. How do I avoid digital eye strain while reading eBooks? To prevent digital eye strain, take regular breaks, adjust the font size and background color, and ensure proper lighting while reading eBooks. What the advantage of interactive eBooks? Interactive eBooks incorporate multimedia elements, quizzes, and activities, enhancing the reader engagement and providing a more immersive learning experience. Laserjet 2500 Service Manual is one of the best book in our library for free trial. We provide copy of Laserjet 2500 Service Manual in digital format, so the resources that you find are reliable. There are also many Ebooks of related with Laserjet 2500 Service Manual. Where to download Laserjet 2500 Service Manual online for free? Are you looking for Laserjet 2500 Service Manual PDF? This is definitely going to save you time and cash in something you should think about. If you trying to find then search around for online. Without a doubt there are numerous these available and many of them have the freedom. However without doubt you receive whatever you purchase. An alternate way to get ideas is always to check another Laserjet 2500 Service Manual. This method for see exactly what may be included and adopt these ideas to your book. This site will almost certainly help you save time and effort, money and stress. If you are looking for free books then you really should consider finding to assist you try this. Several of Laserjet 2500 Service Manual are for sale to free while some are payable. If you arent sure if the books you would like to download works with for usage along with your computer, it is possible to download free trials. The free guides make it easy for someone to free access online library for download books to your device. You can get free download on free trial for lots of books categories. Our library is the biggest of these that have literally hundreds of thousands of different products categories represented. You will also see that there are specific sites catered to different product types or categories, brands or niches related with Laserjet 2500 Service Manual. So depending on what exactly you are searching, you will be able to choose e books to suit your own need. Need to access completely for Campbell Biology Seventh Edition book? Access Ebook without any digging. And by having access to our ebook online or by storing it on your computer, you have convenient answers with Laserjet 2500 Service Manual To get started finding Laserjet 2500 Service Manual, you are right to find our website which has a comprehensive collection of books online. Our library is the biggest of these that have literally hundreds of thousands of different products represented. You will also see that there are specific sites catered to different categories or niches related with Laserjet 2500 Service Manual So depending on what exactly you are searching,

you will be able to choose ebook to suit your own need. Thank you for reading Laserjet 2500 Service Manual. Maybe you have knowledge that, people have search numerous times for their favorite readings like this Laserjet 2500 Service Manual, but end up in harmful downloads. Rather than reading a good book with a cup of coffee in the afternoon, instead they juggled with some harmful bugs inside their laptop. Laserjet 2500 Service Manual is available in our book collection an online access to it is set as public so you can download it instantly. Our digital library spans in multiple locations, allowing you to get the most less latency time to download any of our books like this one. Merely said, Laserjet 2500 Service Manual is universally compatible with any devices to read.

Find Laserjet 2500 Service Manual :

[geography question paper mains 2011](#)

[geography march 2supplementary exam paper2](#)

[geography june examination paper1 theory 2013](#)

[geography paper grade final examination 2014 memorandum](#)

[geography paper 1 grade 11 exemplar](#)

[geography june paper 2 memo for northern cape 2014](#)

[geography paper1 nov 2014 fpr grade 11](#)

[geography question papers 2 grade 10 november 2013](#)

[geography question paper2014 grade 10](#)

[geography paper1 memorandam2014](#)

[geography paper 1 grade 11 2014 final exam exmpler](#)

[geography november 2014 grade 12](#)

[geography question p1 2014 final exam grade 10](#)

[geometric dimensioning tolerancing pocket guide](#)

[geography paper1 grade10 2014 scope](#)

Laserjet 2500 Service Manual :

Footnotes in Gaza - Wikipedia Footnotes in Gaza - Wikipedia Footnotes in Gaza In a quest to get to the heart of what happened, Joe Sacco immerses himself in the daily life of Rafah and the neighboring town of Khan Younis, uncovering Gaza ... Footnotes in Gaza: A Graphic Novel: Sacco, Joe In a quest to get to the heart of what happened, Joe Sacco immerses himself

in the daily life of Rafah and the neighboring town of Khan Younis, uncovering Gaza ... Footnotes in Gaza by Joe Sacco
Footnotes in Gaza is a masterful graphic novel that meticulously examines the lesser-explored history of those people and what they went through in the 50s, ... Footnotes In Gaza: Joe Sacco: Hardcover: 9780805073478 From the great cartoonist-reporter comes a sweeping, original investigation of a forgotten crime in the most tormented of places. Spanning 50 years and moving ... Footnotes in Gaza (Graphic Novel, Book) In a quest to get to the heart of what happened, Joe Sacco immerses himself in daily life of Rafah and the neighboring town of Khan Younis, uncovering Gaza past ... Book Review | 'Footnotes in Gaza,' Written and Illustrated ... Dec 24, 2009 — Joe Sacco's account of mass killings of Palestinians in 1956 impressively combines graphic artistry and investigative reporting. Footnotes in Gaza by Joe Sacco, Paperback In a quest to get to the heart of what happened, Joe Sacco immerses himself in the daily life of Rafah and the neighboring town of Khan Younis, uncovering Gaza ... Footnotes in Gaza In a quest to get to the heart of what happened, Joe Sacco immerses himself in the daily life of Rafah and the neighboring town of Khan Younis, uncovering Gaza ... Footnotes in Gaza by Joe Sacco Mar 20, 2017 — Footnotes in Gaza is journalist Joe Sacco's exploration into two sparsely covered reports of massacres that occurred in Khan Younis and Rafah, ... Argus Enterprise Case Study Manual Title, Argus Enterprise Case Study Manual. Contributor, Argus Software. Publisher, Argus Software, 2015. Length, 99 pages. A Detailed Guide to Earning ARGUS Enterprise ... Here are a few resources that I select for you if you are eager to go one step beyond. ARGUS Enterprise: Case Study Manual (eBook). This manual ... To order the Argus Case Study Manual View Notes - To order the Argus Case Study Manual from CS 58 at Baruch College, CUNY. To order the Argus Case Study Manual: You will need to click onto this ... Argus Developer in Practice: Real Estate... by Havard, Tim ... This book is a practical guide to using Argus Developer, the world's most widely used real estate development feasibility modeling software. ARGUS Enterprise - Certification Training Manual ARGUS Enterprise - Certification Training Manual - Version 11.8. Argus Enterprise - Certification Training Manual - Version 11.8 by ... study guides, annotations, ... Looking for ARGUS Enterprise Certification Training ... Looking for ARGUS Enterprise Certification Training Manual / Case Studies ... case studies with answers to study and get better. Anything would ... User Manual - ARGUS EstateMaster CC 7.0 This operations manual is a guide for using the ARGUS EstateMaster CC. (Corporate Consolidation) software developed in Microsoft SQL and .NET. ARGUS Enterprise Case Study Manual May 8, 2019 — Has anyone ever purchased the ARGUS Enterprise Case Study Manual from their website? Is it helpful and worth purchasing if so? Need to bang out Argus, how long will the certification take My recommendation is to go through the certification book from page 0 to the end. Don't take the case study until you can go through them 100% without a mistake ... Student Solutions Manual for Stewart's... by Stewart, James Contains fully worked-out solutions to all of the odd-numbered exercises in the text, giving students a way to check their answers and ensure that they took ... single variable calculus - msulaiman.org This Student Solutions Manual contains strategies for solving and solutions to selected exercises in the text Single Variable

Calculus, Eighth Edition, by James ... Student Solutions Manual for Single Variable Calculus For 3- to 4-semester courses covering single-variable and multivariable calculus, taken by students of mathematics, engineering, natural sciences, or economics. Early Transcendentals - Student Solutions Manual Stewart's Single Variable Calculus: Early Transcendentals - Student Solutions Manual · Course Information · Louisiana State University Official Bookstore. Student Solutions Manual for Stewart's Single... Contains fully worked-out solutions to all of the odd-numbered exercises in the text, giving students a way to check their answers and ensure that they took ... Student Solutions Manual for Stewart's Single Variable ... Contains fully worked-out solutions to all of the odd-numbered exercises in the text, giving students a way to check their answers and ensure that they took ... Student Solutions Manual for Single Variable Calculus ... Custom eBook: Student Solutions Manual for Single Variable Calculus: Early Transcendentals, 1st Edition | ; Starting At \$44.95 ; Overview. CUSTOM NB EBOOK: SSM ... Student solutions manual for Single variable calculus Student solutions manual for Single variable calculus : early transcendentals, eight edition -book. Student Solutions Manual, (Chapters... by: James Stewart This manual includes worked-out solutions to every odd-numbered exercise in Single Variable Calculus: Early Transcendentals, 7e (Chapters 1-11 of Calculus: ... Student Solutions Manual for Single Variable Calculus ... Custom eBook: Student Solutions Manual for Single Variable Calculus: Early Transcendentals | 1st Edition |. STEWART JAMES. Product cover for Custom eBook: ...