

Transfer Gearbox

Transfer Gearbox - Front Output Shaft

1.	RND462	Flange, Front, LT230
	RNH135	Flange, Front, RR Classic, Borg Warner
2.	RND463	Washer, Felt, LT230
	RND464	Washer, Felt, RR Classic, Borg Warner
3.	RND465	Washer
4.	RNS326	Nut
5.	RND466	Shield, Oil, LT230
	RND467	Shield, Oil, RR Classic, Borg Warner
6.	RND468	Seal, Oil, Front
7.	RND629	Seal Kit, Front Output Shaft (includes: flange, washer, felt washer, nut, oil shield, oil seal, bolts to output shaft & circlip)
8.	RNF297	Bearing
9.	RND469	Spacer
10.	RNH140	Circlip

Transfer Gearbox - Rear Output Shaft

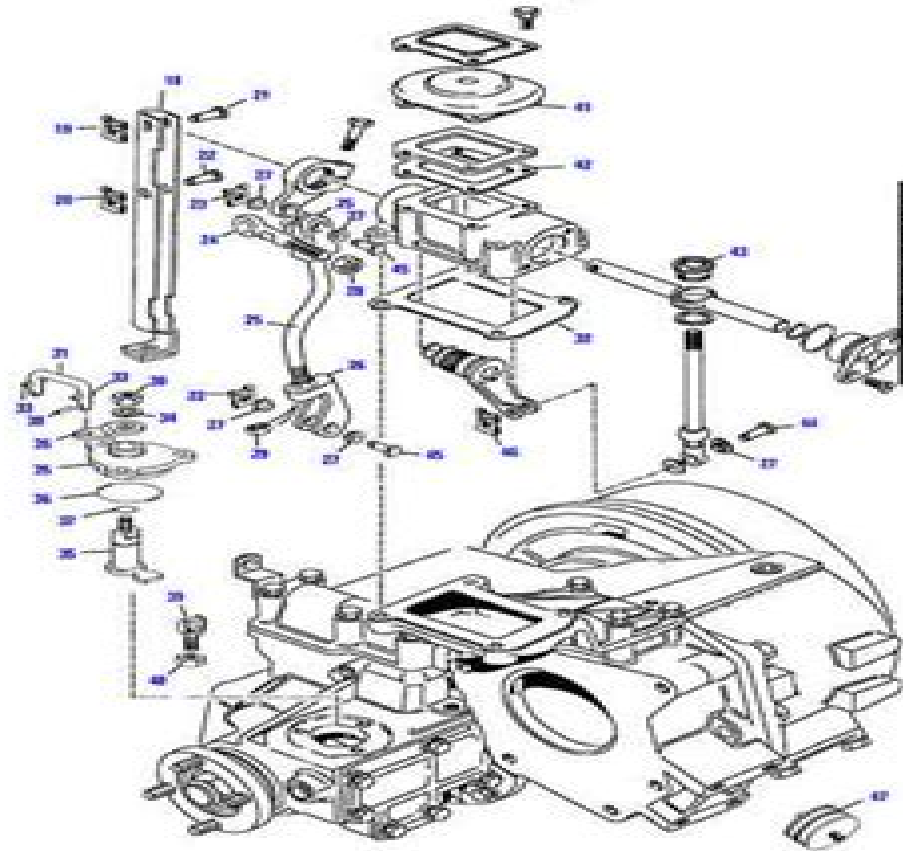
11.	RND468	Seal, Oil, Rear, Discovery I
12.	RND467	Shield, Oil, Rear, Discovery I
13.	RND471	Circlip, Discovery I
14.	RNH063	Flange Kit, Rear, Discovery I (includes parts #11-12)
15.	RND463	Washer, Felt, Discovery I
16.	RND465	Washer, Discovery I
17.	RNS326	Nut, Discovery I

Transfer Gearbox - Differential Controls

18.	RND640	Lever, diff lock, Discovery I
19.	RND641	Lock clip, Discovery I
20.	RND642	Lock clip, Discovery I
21.	RND643	Pin, Discovery I
22.	RND644	Pin, Discovery I
23.	RND642	Lock clip, Discovery I
24.	RND645	Fulcrum stud, Discovery I
25.	RND646	Selector rod transfer ratios, Discovery I
26.	RND647	Clevis end, Discovery I
27.	RND648	Nylon bush, Discovery I
28.	RNE157	Nut, Discovery I
29.	RNE450	Nut, Discovery I
30.	RNE469	Nut, Discovery I
31.	RND649	Connector link, Discovery I
32.	RND650	Gasket, Discovery I
33.	RND651	Roll pin, Discovery I
34.	RND496	Washer, Discovery I
35.	RND652	Selector assembly, diff lock, Discovery I
36.	RND653	O-ring for selector cover, Discovery I
37.	RND654	O-ring for selector, Discovery I
38.	RND651	Roll pin, Discovery I
	RND655	Lock clip, Discovery I
39.	RND656	Switch, diff lock, Discovery I
40.	RND657	Locknut, Discovery I
41.	RND658	Rubber boot for lever, Discovery I
42.	RND659	Gasket, Discovery I
43.	RND660	Seal for transfer case, Discovery I
44.	RND661	Pin, Discovery I
45.	RND662	Pin, Discovery I
46.	RNH313	Lock clip, Discovery I
47.	RND470	Bracket, Mounting, RR Classic ... 2 required



LT230
Transfer Gearbox



TRANSFER BOX

Land Rover Transfer Case Manual

Scott C. Dulebohn



Land Rover Transfer Case Manual:

Land Rover Series II, IIA and III Restoration Manual Emrys Kirby, 2023-05-18 A Series Land Rover has to be the ultimate life sized automotive jigsaw puzzle Simple to repair with a good supply of new and used parts a restoration is well within the capabilities of an amateur mechanic While the official Parts and Workshop Manuals can be considered essential reading they were written for professional mechanics working on reasonably new unmodified vehicles not a 60 year old model assembled with parts from different eras They will tell you very little about parts compatibility over the generations how to repair a bulkhead or front panel or the best techniques to assemble your vehicle onto a new chassis This manual seeks to answer many of the commonly asked questions and offers practical solutions tips and techniques for the common problems encountered when restoring and maintaining a Series Land Rover It covers history vehicle development and compatibility of parts the overhaul of the major mechanical components including engine gearbox and axles practical techniques for body repairs fitment and alignment in depth chassis and bulkhead repairs how to decide between saving or replacing a major component the current availability of components major current restoration trends functional rebuild resto mod build patina recommission or concours restoration

Land Rover Series 1 Restoration Manual Theo Ford-Sagers, Benjamin Stowe, 2022-05-23 Land Rover Series I Restoration Manual has been written with the home restorer in mind and the aim of providing knowledge confidence and the technical details required for a full restoration The book follows a 1957 Series I 109in but also discusses how the other Series I models differ Each task is broken down into step by step instructions with accompanying photographs from minor repair and maintenance procedures to a thorough inspection and refurbishment of the engine s core components There are additional tips on how to keep restoration costs under control and what it takes to make a concours winner stand out from the pack Superbly illustrated with over 830 colour photographs

Land Rover Series II, IIA and III Maintenance and Upgrades Manual Richard Hall, 2016-06-30 Based on real life experience and written by expert authors the books in the Maintenance and Upgrades Manual series from Crowood will help owners develop the workshop skills needed for the maintenance and repair of their cars and give guidance on possibilities for improvements and upgrades to performance With step by step instructions and safety information throughout this book is a valuable technical resource for owners of Series II IIA and III Land Rovers The book covers choosing and buying a Series II or III Land Rover maintenance and service procedures detailed guides for repair and maintenance of each of the car s systems including brakes steering and suspension engine clutch and transmission axles hubs and propshafts and electrical systems repairing and preventing corrosion upgrades for reliability comfort performance and off roading rebuilding a Series II or III Land Rover things to know before you take on a project car This practical guide and technical resource for all Series II IIA and III owners and Land Rover enthusiasts is fully illustrated with over 280 colour photographs

Range Rover Specification Guide James Taylor, 2024-06-14 This book is designed to give guidance on the original ex factory specifications

of the first generation Range Rovers built between 1970 and 1996. Sometimes known as Range Rover Classics although the only ones properly so called were built after autumn 1994, these models laid the foundations for the following generations of Land Rover's world-acclaimed Range Rover. Many of these early Range Rovers fell on hard times as they passed on to third, fourth, and subsequent owners. Many were butchered beyond recognition when converted into off-road playthings. But now, more than a quarter of a century since the last examples were built, it is no surprise that enthusiasts have begun to restore examples to their original condition. This has created a demand for accurate information about what that original condition actually was. James Taylor has trawled painstakingly through original documents and examined original vehicles to put together all the known facts in one place. This guide will be essential reading for everyone with an interest in restoring or running one of these iconic models that became the foundation of today's Land Rover marque.

Land Rover: The Ultimate Enthusiast's Guide Ian Garner, 2024-08-27 The Land Rover is one of the most recognised vehicles ever produced and is nothing short of a British Institution. From its humble beginnings based on an ex-World War II Jeep chassis in 1947 to a 200,000 Range Rover in 2023, for over seven decades Land Rover has provided the 4x4s of choice for royalty, the armed forces, celebrities, and the everyday family. As well as being a beloved family carrier, it has transported explorers across continents, kept farms producing, helped police nations, and been instrumental in saving the lives of those lost or stranded in difficult terrain. This book pays homage to this jack-of-all-trades workhorse that was once promoted as the world's most versatile vehicle, charting the history of all the Land Rover variants manufactured, starting with the first prototype built in 1947. The smorgasbord of information covered includes conversions, both military and civilian, that have been produced both by Land Rover and by third-party companies, along with many of the prototype and concept vehicles produced over the years. There is a focus on the technical aspects of the vehicles, and the specifications of all the production variants made are detailed. The Land Rover has been used in various expeditions since the early days, and this book also covers some of the Land Rover products used for these, as well as the vehicles used for competitions such as the Camel Trophy and G4 challenges. These include those produced by Bowler, which is now owned by Jaguar Land Rover. Whether you are new to the Land Rover or a seasoned enthusiast, there will be something for you on the pages of this highly illustrated, informative book.

Land Rover One Ten and Ninety Specification Guide James Taylor, 2020-11-23 This book is designed to give guidance on the original ex-factory specifications of the coil-sprung utility Land Rovers built between 1983 and 1990. Known to Land Rover as stage 2 models, they were sold as the Land Rover One Ten Ninety and later One Two Seven. James Taylor has taken the first step in undertaking detailed research into the Stage 2 models and putting together all the known facts in one place. Topics covered include vehicle identification, specification changes in detail, options, accessories, and special equipment conversions, and finally promotional material.

Range Rover Classic - Torque Technical Tips - Vol 1 Range Rover Club of Australia, Victoria Branch, 2020-07-01 Torque Technical Tips books are a must for Range Rover Classic enthusiasts. There are two

values in this series which totals over 700 pages of expert technical tips for Land Rover's Range Rover Classic spanning from 1977 to 1992 and have been collated from *Torque* the club magazine of one of the oldest Range Rover Clubs around the Range Rover Club of Australia Victoria Branch Volume 1 has 373 pages and takes tips and articles dated between 1977 and 1986 Contributions come from a mix of Land Rover mechanics and club enthusiasts and include how these wonderful cars work getting home if you break down in the middle of nowhere we call it bush mechanics in Australia modifications off road driving and recovery techniques and many more The wealth of knowledge from the club that was formed in 1977 is immense it's still going strong and still has some of the original members *Torque*, 2007-02 Singapore's best homegrown car magazine with an editorial dream team driving it We fuel the need for speed [Range Rover First Generation](#) James Taylor, 2018-04-23 The Range Rover's designers intended it to be a more comfortable and road friendly passenger carrying Land Rover but customers quickly saw something much more in it During the 1970s while its immense practicality and capability were appreciated and acknowledged a Range Rover became a sought after and prestigious possession It went on to change the face of Land Rover for ever Range Rover First Generation The Complete Story delves into the real story of the Range Rover examining what lay behind the multiple changes in its twenty six years of production The book covers the full development story custom and utility conversions Range Rovers for the US market full technical specifications and Range Rovers assembled overseas If ever a car deserved the over used epithet iconic the first generation Range Rover is it The book provides an insight into the little known difficulties and problems that were so well concealed by the Range Rover's makers and is a must read for all Range Rover and Land Rover enthusiasts Superbly illustrated with 223 colour and 97 black white photographs [Land Rover Discovery, Defender & Range Rover](#) Ralph Hosier, 2011 Buying a Range Rover Land Rover Discovery or Defender can be just the start of a wonderful adventure This book describes the options available to the owner from big wheels and suspension lifts under body protection and tuning ideas right up to how to convert the car into a high speed racer or an international expedition vehicle With clear jargon free instructions advice on events like family weekend green laning international expeditions and full on c **2016 Passenger Car and 2015 Concept Car Yearbook** Automotive Engineering International, 2015-12-15 Carmakers release new models every year with advanced technology to attract consumer interest and to satisfy increasingly stringent government regulations Some of these technologies are firsts or leading edge and they start trends that more companies will soon follow Snapshots of the direction of the automotive industry along with OEM and supplier perspectives are presented in these articles that have been collected by the Editors of Automotive Engineering whose aim is to provide the reader with a complete overview of the key advances that took place over the course of one model year Provides a single source for information on the key engineering trends of one year Allows the reader to skip to chapters that cover specific car models that interest them or read about all models from beginning to end Includes plenty of big full color images and the facts about the most recent technology and engineering innovations Each

car manufacturer has its own chapter exploring new models in depth The yearly trends and innovations that make the automotive industry fascinating to both the engineer and the customer are all captured in the imagery and easy reading of this full color book Ski ,1988-12 **Range Rover Second Generation** James Taylor,2018-09-23 The second generation Range Rover was arguably Land Rover s first model designed as a luxury vehicle It was a major leap for the company but a very successful one as well Despite controversy over its looks and some initial teething problems it became a worthy successor to the much loved original Range Rover Second Generation The Complete Story draws on the memories of designers and engineers as well as on a wide variety of factory sources to provide the most authoritative history of the mode yet The book covers the full development history the changes during eight years of production Range Rovers for the North American market full technical specifications and finally Range Rovers and the emergency services A companion volume to the author s Range Rover First Generation The Complete Story Crowood 2018 Autocar & Motor ,1990-09 **Panama** Thomas McGuane,2019-07-03 Panama is the harrowing and hilarious story of a washed up rock star with kamikaze passion in Key West and is widely considered to be the most autobiographical novel of one of our most important American writers the author of Ninety two in the Shade and Cloudbursts Chester Pomeroy is a one time rock star turned casualty of illicit substances In the hands of Thomas McGuane Chester s story is a high wire act of extravagant emotion and steel nerved prose As he haunts Key West pestering family threatening a potential in law with a 38 and attempting to crucify himself on his ex s door out of sheer lovesickness Chester emerges as the pure archetype of the McGuane hero **Land Rover Discovery** James Taylor,2014-04-30 A quarter of a century ago the Land Rover Discovery defined at a stroke how traditional 4 x 4 all terrain ability could co exist with family estate practicality at an affordable price Since 1989 the Discovery has gone through several iterations but its essential qualities have remained unchanged Practical capable and above all completely distinctive the stepped roof seemed odd at first but now defines the Discovery shape the Discovery has gone on to become one of Land Rover s best loved products Land Rover Discovery 25 Years of the Family 4 x 4 looks in detail at the four generations of Discovery including full specification details and production histories Topics covered include the design and development of the original Discovery in the late 1980s and the move into North America the new 300Tdi engine and R380 gearbox of 1994 and the BMW takeover Series II models of 1998 2004 and Land Rover s move from BMW to Ford Discovery 3 LR3 2004 2009 and the new TDV6 engine developed by Jaguar Discovery 4 LR4 the all purpose family luxury car special editions and derivatives of all four generations of Discovery including Discoverys for the emergency services and the Camel Trophy and G4 Challenge competition vehicles Superbly illustrated with 351 colour photographs Popular Mechanics ,1989-03 Popular Mechanics inspires instructs and influences readers to help them master the modern world Whether it s practical DIY home improvement tips gadgets and digital technology information on the newest cars or the latest breakthroughs in science PM is the ultimate guide to our high tech lifestyle Field & Stream ,1995-09 FIELD STREAM America s largest

outdoor sports magazine celebrates the outdoor experience with great stories compelling photography and sound advice while honoring the traditions hunters and fishermen have passed down for generations *Field & Stream* ,1995-09 FIELD
STREAM America s largest outdoor sports magazine celebrates the outdoor experience with great stories compelling photography and sound advice while honoring the traditions hunters and fishermen have passed down for generations

Car and Driver ,2003

Delve into the emotional tapestry woven by Crafted by in Experience **Land Rover Transfer Case Manual** . This ebook, available for download in a PDF format (Download in PDF: *), is more than just words on a page; it's a journey of connection and profound emotion. Immerse yourself in narratives that tug at your heartstrings. Download now to experience the pulse of each page and let your emotions run wild.

<https://staging.conocer.cide.edu/About/browse/default.aspx/M6%20Service%20Manual.pdf>

Table of Contents Land Rover Transfer Case Manual

1. Understanding the eBook Land Rover Transfer Case Manual
 - The Rise of Digital Reading Land Rover Transfer Case Manual
 - Advantages of eBooks Over Traditional Books
2. Identifying Land Rover Transfer Case Manual
 - Exploring Different Genres
 - Considering Fiction vs. Non-Fiction
 - Determining Your Reading Goals
3. Choosing the Right eBook Platform
 - Popular eBook Platforms
 - Features to Look for in a Land Rover Transfer Case Manual
 - User-Friendly Interface
4. Exploring eBook Recommendations from Land Rover Transfer Case Manual
 - Personalized Recommendations
 - Land Rover Transfer Case Manual User Reviews and Ratings
 - Land Rover Transfer Case Manual and Bestseller Lists
5. Accessing Land Rover Transfer Case Manual Free and Paid eBooks
 - Land Rover Transfer Case Manual Public Domain eBooks
 - Land Rover Transfer Case Manual eBook Subscription Services
 - Land Rover Transfer Case Manual Budget-Friendly Options

6. Navigating Land Rover Transfer Case Manual eBook Formats
 - ePub, PDF, MOBI, and More
 - Land Rover Transfer Case Manual Compatibility with Devices
 - Land Rover Transfer Case Manual Enhanced eBook Features
7. Enhancing Your Reading Experience
 - Adjustable Fonts and Text Sizes of Land Rover Transfer Case Manual
 - Highlighting and Note-Taking Land Rover Transfer Case Manual
 - Interactive Elements Land Rover Transfer Case Manual
8. Staying Engaged with Land Rover Transfer Case Manual
 - Joining Online Reading Communities
 - Participating in Virtual Book Clubs
 - Following Authors and Publishers Land Rover Transfer Case Manual
9. Balancing eBooks and Physical Books Land Rover Transfer Case Manual
 - Benefits of a Digital Library
 - Creating a Diverse Reading Collection Land Rover Transfer Case Manual
10. Overcoming Reading Challenges
 - Dealing with Digital Eye Strain
 - Minimizing Distractions
 - Managing Screen Time
11. Cultivating a Reading Routine Land Rover Transfer Case Manual
 - Setting Reading Goals Land Rover Transfer Case Manual
 - Carving Out Dedicated Reading Time
12. Sourcing Reliable Information of Land Rover Transfer Case Manual
 - Fact-Checking eBook Content of Land Rover Transfer Case Manual
 - Distinguishing Credible Sources
13. Promoting Lifelong Learning
 - Utilizing eBooks for Skill Development
 - Exploring Educational eBooks
14. Embracing eBook Trends
 - Integration of Multimedia Elements

- Interactive and Gamified eBooks

Land Rover Transfer Case Manual Introduction

In today's digital age, the availability of Land Rover Transfer Case Manual books and manuals for download has revolutionized the way we access information. Gone are the days of physically flipping through pages and carrying heavy textbooks or manuals. With just a few clicks, we can now access a wealth of knowledge from the comfort of our own homes or on the go. This article will explore the advantages of Land Rover Transfer Case Manual books and manuals for download, along with some popular platforms that offer these resources. One of the significant advantages of Land Rover Transfer Case Manual books and manuals for download is the cost-saving aspect. Traditional books and manuals can be costly, especially if you need to purchase several of them for educational or professional purposes. By accessing Land Rover Transfer Case Manual versions, you eliminate the need to spend money on physical copies. This not only saves you money but also reduces the environmental impact associated with book production and transportation. Furthermore, Land Rover Transfer Case Manual books and manuals for download are incredibly convenient. With just a computer or smartphone and an internet connection, you can access a vast library of resources on any subject imaginable. Whether you're a student looking for textbooks, a professional seeking industry-specific manuals, or someone interested in self-improvement, these digital resources provide an efficient and accessible means of acquiring knowledge. Moreover, PDF books and manuals offer a range of benefits compared to other digital formats. PDF files are designed to retain their formatting regardless of the device used to open them. This ensures that the content appears exactly as intended by the author, with no loss of formatting or missing graphics. Additionally, PDF files can be easily annotated, bookmarked, and searched for specific terms, making them highly practical for studying or referencing. When it comes to accessing Land Rover Transfer Case Manual books and manuals, several platforms offer an extensive collection of resources. One such platform is Project Gutenberg, a nonprofit organization that provides over 60,000 free eBooks. These books are primarily in the public domain, meaning they can be freely distributed and downloaded. Project Gutenberg offers a wide range of classic literature, making it an excellent resource for literature enthusiasts. Another popular platform for Land Rover Transfer Case Manual books and manuals is Open Library. Open Library is an initiative of the Internet Archive, a non-profit organization dedicated to digitizing cultural artifacts and making them accessible to the public. Open Library hosts millions of books, including both public domain works and contemporary titles. It also allows users to borrow digital copies of certain books for a limited period, similar to a library lending system. Additionally, many universities and educational institutions have their own digital libraries that provide free access to PDF books and manuals. These libraries often offer academic texts, research papers, and technical manuals, making them invaluable resources for students and researchers. Some notable examples include MIT OpenCourseWare,

which offers free access to course materials from the Massachusetts Institute of Technology, and the Digital Public Library of America, which provides a vast collection of digitized books and historical documents. In conclusion, Land Rover Transfer Case Manual books and manuals for download have transformed the way we access information. They provide a cost-effective and convenient means of acquiring knowledge, offering the ability to access a vast library of resources at our fingertips. With platforms like Project Gutenberg, Open Library, and various digital libraries offered by educational institutions, we have access to an ever-expanding collection of books and manuals. Whether for educational, professional, or personal purposes, these digital resources serve as valuable tools for continuous learning and self-improvement. So why not take advantage of the vast world of Land Rover Transfer Case Manual books and manuals for download and embark on your journey of knowledge?

FAQs About Land Rover Transfer Case Manual Books

How do I know which eBook platform is the best for me? Finding the best eBook platform depends on your reading preferences and device compatibility. Research different platforms, read user reviews, and explore their features before making a choice. Are free eBooks of good quality? Yes, many reputable platforms offer high-quality free eBooks, including classics and public domain works. However, make sure to verify the source to ensure the eBook credibility. Can I read eBooks without an eReader? Absolutely! Most eBook platforms offer web-based readers or mobile apps that allow you to read eBooks on your computer, tablet, or smartphone. How do I avoid digital eye strain while reading eBooks? To prevent digital eye strain, take regular breaks, adjust the font size and background color, and ensure proper lighting while reading eBooks. What the advantage of interactive eBooks? Interactive eBooks incorporate multimedia elements, quizzes, and activities, enhancing the reader engagement and providing a more immersive learning experience. Land Rover Transfer Case Manual is one of the best book in our library for free trial. We provide copy of Land Rover Transfer Case Manual in digital format, so the resources that you find are reliable. There are also many Ebooks of related with Land Rover Transfer Case Manual. Where to download Land Rover Transfer Case Manual online for free? Are you looking for Land Rover Transfer Case Manual PDF? This is definitely going to save you time and cash in something you should think about.

Find Land Rover Transfer Case Manual :

m6 service manual

ma vie de rat de laboratoire

[ma cdl permit study guide](#)

macbook pro manually eject dvd

[macbook pro retina manual](#)

m12 4 chemi sp2 eng tz1 xx

macbeth advanced placement study guide

mac 600 user manual

ma grosseesse en questions reacuteponses

[macbeth study guide answers act 1](#)

[m12 chemi sp3 tz1](#)

[m370n service manual](#)

mac manual restart

macbook pro best buy recall

[macbeth study guide student copy](#)

Land Rover Transfer Case Manual :

Social Studies Chapter 4, Lesson 3, Scott Foresman Spanish explorer who explored what is now Texas in 1528. Francisco Vásquez de Coronado. Spanish explorer of the American southwest; searched for the Cíbola ... Scott Foresman Texas Social Studies Grade 4 AudioText ... Professional recordings of the Pupil Edition aid in comprehension and help develop listening skills. Dramatic Readings of the "You Are There" Passages allow ... scott foresman grade 5 chapter 4 social studies Flashcards A settlement ruled by another country. columbian exnange. The movement of people, food, livestock, ... Texas enVision MATH 4 answers & resources Texas enVision MATH 4 grade 4 workbook & answers help online. Grade: 4, Title: Texas enVision MATH 4, Publisher: Scott Foresman-Addison Wesley, ... Scott foresman social studies grade 4 Scott Foresman Social Studies Regions Grade 4 Chapter 4. Created by ... Texas students use for U.S. History. Includes fill-in-the-blanks ... Scott Foresman-Addison Wesley enVisionMATH 4 Scott Foresman-Addison Wesley enVisionMATH 4 grade 4 workbook & answers help online. Grade: 4, Title: Scott Foresman-Addison Wesley enVisionMATH 4, ... Scott Foresman Social Studies: Texas Edition This book is working great with my Texas TEKS curriculum and follows along well with my lesson plans. I would recommend it for home or public schooling... 4 ... Scott foresman social studies Scott Foresman Social Studies Grade 4 Chapter 4 Lesson 1 Study Guide ... Texas students use for U.S. History. Includes fill-in-the-blanks ... Reading Street 4 2 Grade by Scott Foresman Reading Street, Grade 2.2: Decodable Practice Readers Units 4-6 by Scott Foresman and a great selection of related books, art and collectibles available now ... Reading Street 4 2 Grade Unit by Scott Foresman Reading Street,

Grade 2.2: Decodable Practice Readers Units 4-6 ... Houston, TX, U.S.A.. Seller Rating: 5-star rating. Used - Softcover
Condition: Good. Romantic Serenades for Strings A generous and unique compilation of Romantic music for string orchestra, featuring both delightful rarities and renowned masterpieces of the genre. Romantic Serenades for Strings CD1. 58'00. Pyotr Ilyich Tchaikovsky 1840-1893. Serenade for Strings Op.48. 1. I. Pezzo in forma di sonatina: Andante non troppo -. Allegro moderato. Romantic Serenades for Strings The term serenade originally signified a musical greeting, usually performed out of doors in the evening, to a beloved or a person of importance. Adagio - Romantic Serenades (1999) (Full Album) - YouTube Romantic Serenades Peter Tchaikovsky, Edvard Hagerup Grieg, Edward Wiliam Elgar, Bratislava Chamber Orchestra - Romantic Serenades - Amazon.com Music. Romantic Serenades for Strings - BRILLIANT CLASSICS ... Their performance of the Suk, a lovely work in four movements, is fine and affectionate. Some might find it a little too affectionate: some tempo changes might ... Dvořák, Suk, Elgar & Fuchs: Romantic Serenades Listen to Dvořák, Suk, Elgar & Fuchs: Romantic Serenades by Camerata Bern & Thomas Fūri on Apple Music. 2000. 20 Songs. Duration: 1 hour, 55 minutes. Janáček · Kalinnikov · Tchaikovsky - Romantic Serenades ... View credits, reviews, tracks and shop for the 2018 CD release of "Romantic Serenades For Strings" on Discogs. Romantic Serenades - YouTube Thinking through Painting Reflexivity and Agency beyond the Canvas ... Painting has demonstrated remarkable perseverance in the expanding field of contemporary art and the surrounding ... Thinking through Painting: Reflexivity and Agency beyond ... A beautifully written concise discussion on the nature of making and reflecting on Art today. Essential reading for anyone interested in Art. 7 ... Thinking through Painting: Reflexivity and Agency beyond ... Painting has demonstrated remarkable perseverance in the expanding field of contemporary art and the surrounding ecology of media images. Thinking through Painting Sep 7, 2012 — With contributions by Peter Geimer, Isabelle Graw, and André Rottmann, Thinking through Painting investigates painting's traits and reception in ... Thinking through Painting: Reflexivity and Agency beyond ... Read 4 reviews from the world's largest community for readers. Painting has demonstrated remarkable perseverance in the expanding field of contemporary art... Thinking through Painting Thinking through Painting - Reflexivity and Agency beyond the Canvas ... Thinking through Painting investigates painting's traits and reception in cultural and ... Thinking through painting: Reflexivity and ... - Infinite Curiosity Jun 22, 2020 — This opens up a philosophical debate about whether painting is medium, technique, genre, procedure or institution. Graw proposes that painting ... Thinking through Painting: Reflexivity and Agency beyond ... With contributions by Peter Geimer, Isabelle Graw, and André Rottmann, Thinking through Painting investigates painting's traits and reception in cultural and ... Thinking through Painting: 9783943365108 Sep 7, 2012 — Thinking through Painting. Reflexivity and Agency beyond the Canvas. Edited by Isabelle Graw, Daniel Birnbaum and Nikolaus Hirsch. Edited by ... through "Thinking through Painting, • the title of the small-scale confer- ence ... impenetrability-and of reflexive painting in the case of. Tuymans-pertains to an ...