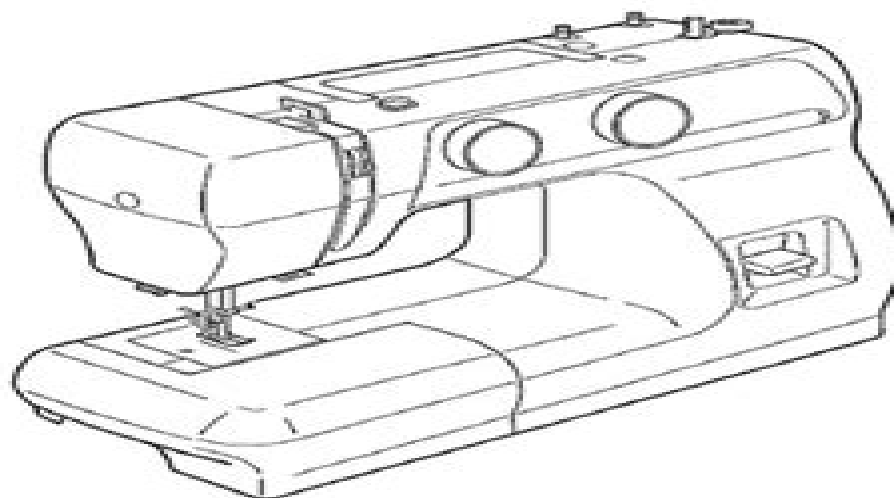


INSTRUCTION MANUAL



Janome 2200xt Manual

Robert R. Redfield



Janome 2200xt Manual:

This book delves into Janome 2200xt Manual. Janome 2200xt Manual is a vital topic that needs to be grasped by everyone, from students and scholars to the general public. The book will furnish comprehensive and in-depth insights into Janome 2200xt Manual, encompassing both the fundamentals and more intricate discussions.

1. The book is structured into several chapters, namely:

- Chapter 1: Introduction to Janome 2200xt Manual
- Chapter 2: Essential Elements of Janome 2200xt Manual
- Chapter 3: Janome 2200xt Manual in Everyday Life
- Chapter 4: Janome 2200xt Manual in Specific Contexts
- Chapter 5: Conclusion

2. In chapter 1, the author will provide an overview of Janome 2200xt Manual. The first chapter will explore what Janome 2200xt Manual is, why Janome 2200xt Manual is vital, and how to effectively learn about Janome 2200xt Manual.
3. In chapter 2, this book will delve into the foundational concepts of Janome 2200xt Manual. The second chapter will elucidate the essential principles that must be understood to grasp Janome 2200xt Manual in its entirety.
4. In chapter 3, this book will examine the practical applications of Janome 2200xt Manual in daily life. This chapter will showcase real-world examples of how Janome 2200xt Manual can be effectively utilized in everyday scenarios.
5. In chapter 4, this book will scrutinize the relevance of Janome 2200xt Manual in specific contexts. The fourth chapter will explore how Janome 2200xt Manual is applied in specialized fields, such as education, business, and technology.
6. In chapter 5, this book will draw a conclusion about Janome 2200xt Manual. This chapter will summarize the key points that have been discussed throughout the book.

This book is crafted in an easy-to-understand language and is complemented by engaging illustrations. It is highly recommended for anyone seeking to gain a comprehensive understanding of Janome 2200xt Manual.

<https://staging.conocer.cide.edu/public/uploaded-files/default.aspx/great%20cycle%20routes%20dorset%20and%20the%20new%20forest.pdf>

Table of Contents Janome 2200xt Manual

1. Understanding the eBook Janome 2200xt Manual
 - The Rise of Digital Reading Janome 2200xt Manual
 - Advantages of eBooks Over Traditional Books
2. Identifying Janome 2200xt Manual
 - Exploring Different Genres
 - Considering Fiction vs. Non-Fiction
 - Determining Your Reading Goals
3. Choosing the Right eBook Platform
 - Popular eBook Platforms
 - Features to Look for in an Janome 2200xt Manual
 - User-Friendly Interface
4. Exploring eBook Recommendations from Janome 2200xt Manual
 - Personalized Recommendations
 - Janome 2200xt Manual User Reviews and Ratings
 - Janome 2200xt Manual and Bestseller Lists
5. Accessing Janome 2200xt Manual Free and Paid eBooks
 - Janome 2200xt Manual Public Domain eBooks
 - Janome 2200xt Manual eBook Subscription Services
 - Janome 2200xt Manual Budget-Friendly Options
6. Navigating Janome 2200xt Manual eBook Formats
 - ePub, PDF, MOBI, and More
 - Janome 2200xt Manual Compatibility with Devices
 - Janome 2200xt Manual Enhanced eBook Features
7. Enhancing Your Reading Experience
 - Adjustable Fonts and Text Sizes of Janome 2200xt Manual
 - Highlighting and Note-Taking Janome 2200xt Manual
 - Interactive Elements Janome 2200xt Manual
8. Staying Engaged with Janome 2200xt Manual

- Joining Online Reading Communities
 - Participating in Virtual Book Clubs
 - Following Authors and Publishers Janome 2200xt Manual
9. Balancing eBooks and Physical Books Janome 2200xt Manual
- Benefits of a Digital Library
 - Creating a Diverse Reading Collection Janome 2200xt Manual
10. Overcoming Reading Challenges
- Dealing with Digital Eye Strain
 - Minimizing Distractions
 - Managing Screen Time
11. Cultivating a Reading Routine Janome 2200xt Manual
- Setting Reading Goals Janome 2200xt Manual
 - Carving Out Dedicated Reading Time
12. Sourcing Reliable Information of Janome 2200xt Manual
- Fact-Checking eBook Content of Janome 2200xt Manual
 - Distinguishing Credible Sources
13. Promoting Lifelong Learning
- Utilizing eBooks for Skill Development
 - Exploring Educational eBooks
14. Embracing eBook Trends
- Integration of Multimedia Elements
 - Interactive and Gamified eBooks

Janome 2200xt Manual Introduction

Free PDF Books and Manuals for Download: Unlocking Knowledge at Your Fingertips In today's fast-paced digital age, obtaining valuable knowledge has become easier than ever. Thanks to the internet, a vast array of books and manuals are now available for free download in PDF format. Whether you are a student, professional, or simply an avid reader, this treasure trove of downloadable resources offers a wealth of information, conveniently accessible anytime, anywhere. The advent of online libraries and platforms dedicated to sharing knowledge has revolutionized the way we consume information. No longer confined to physical libraries or bookstores, readers can now access an extensive collection of digital books and

manuals with just a few clicks. These resources, available in PDF, Microsoft Word, and PowerPoint formats, cater to a wide range of interests, including literature, technology, science, history, and much more. One notable platform where you can explore and download free Janome 2200xt Manual PDF books and manuals is the internet's largest free library. Hosted online, this catalog compiles a vast assortment of documents, making it a veritable goldmine of knowledge. With its easy-to-use website interface and customizable PDF generator, this platform offers a user-friendly experience, allowing individuals to effortlessly navigate and access the information they seek. The availability of free PDF books and manuals on this platform demonstrates its commitment to democratizing education and empowering individuals with the tools needed to succeed in their chosen fields. It allows anyone, regardless of their background or financial limitations, to expand their horizons and gain insights from experts in various disciplines. One of the most significant advantages of downloading PDF books and manuals lies in their portability. Unlike physical copies, digital books can be stored and carried on a single device, such as a tablet or smartphone, saving valuable space and weight. This convenience makes it possible for readers to have their entire library at their fingertips, whether they are commuting, traveling, or simply enjoying a lazy afternoon at home. Additionally, digital files are easily searchable, enabling readers to locate specific information within seconds. With a few keystrokes, users can search for keywords, topics, or phrases, making research and finding relevant information a breeze. This efficiency saves time and effort, streamlining the learning process and allowing individuals to focus on extracting the information they need. Furthermore, the availability of free PDF books and manuals fosters a culture of continuous learning. By removing financial barriers, more people can access educational resources and pursue lifelong learning, contributing to personal growth and professional development. This democratization of knowledge promotes intellectual curiosity and empowers individuals to become lifelong learners, promoting progress and innovation in various fields. It is worth noting that while accessing free Janome 2200xt Manual PDF books and manuals is convenient and cost-effective, it is vital to respect copyright laws and intellectual property rights. Platforms offering free downloads often operate within legal boundaries, ensuring that the materials they provide are either in the public domain or authorized for distribution. By adhering to copyright laws, users can enjoy the benefits of free access to knowledge while supporting the authors and publishers who make these resources available. In conclusion, the availability of Janome 2200xt Manual free PDF books and manuals for download has revolutionized the way we access and consume knowledge. With just a few clicks, individuals can explore a vast collection of resources across different disciplines, all free of charge. This accessibility empowers individuals to become lifelong learners, contributing to personal growth, professional development, and the advancement of society as a whole. So why not unlock a world of knowledge today? Start exploring the vast sea of free PDF books and manuals waiting to be discovered right at your fingertips.

FAQs About Janome 2200xt Manual Books

What is a Janome 2200xt Manual PDF? A PDF (Portable Document Format) is a file format developed by Adobe that preserves the layout and formatting of a document, regardless of the software, hardware, or operating system used to view or print it. **How do I create a Janome 2200xt Manual PDF?** There are several ways to create a PDF: Use software like Adobe Acrobat, Microsoft Word, or Google Docs, which often have built-in PDF creation tools. Print to PDF: Many applications and operating systems have a "Print to PDF" option that allows you to save a document as a PDF file instead of printing it on paper. Online converters: There are various online tools that can convert different file types to PDF. **How do I edit a Janome 2200xt Manual PDF?** Editing a PDF can be done with software like Adobe Acrobat, which allows direct editing of text, images, and other elements within the PDF. Some free tools, like PDFescape or Smallpdf, also offer basic editing capabilities. **How do I convert a Janome 2200xt Manual PDF to another file format?** There are multiple ways to convert a PDF to another format: Use online converters like Smallpdf, Zamzar, or Adobe Acrobat's export feature to convert PDFs to formats like Word, Excel, JPEG, etc. Software like Adobe Acrobat, Microsoft Word, or other PDF editors may have options to export or save PDFs in different formats. **How do I password-protect a Janome 2200xt Manual PDF?** Most PDF editing software allows you to add password protection. In Adobe Acrobat, for instance, you can go to "File" -> "Properties" -> "Security" to set a password to restrict access or editing capabilities. Are there any free alternatives to Adobe Acrobat for working with PDFs? Yes, there are many free alternatives for working with PDFs, such as: LibreOffice: Offers PDF editing features. PDFsam: Allows splitting, merging, and editing PDFs. Foxit Reader: Provides basic PDF viewing and editing capabilities. How do I compress a PDF file? You can use online tools like Smallpdf, ILovePDF, or desktop software like Adobe Acrobat to compress PDF files without significant quality loss. Compression reduces the file size, making it easier to share and download. Can I fill out forms in a PDF file? Yes, most PDF viewers/editors like Adobe Acrobat, Preview (on Mac), or various online tools allow you to fill out forms in PDF files by selecting text fields and entering information. Are there any restrictions when working with PDFs? Some PDFs might have restrictions set by their creator, such as password protection, editing restrictions, or print restrictions. Breaking these restrictions might require specific software or tools, which may or may not be legal depending on the circumstances and local laws.

Find Janome 2200xt Manual :

great cycle routes dorset and the new forest

great naval battle of ottawa

great teams of pro basketball

great maze

[great platte river road by mattes merrill j.](#)

[great songs of irving berlin](#)

great cookies you can bake/365 fabulous cookie recipes for every day of the year

[great themes life library of photography life library of photography](#)

[great rock chord songbook bk. 2](#)

great feuds in science

great expectation 13 cassetts unabridged audio

[great golf courses of the world](#)

[great psychologists from aristotle to fr](#)

[great clean jokes for grown up kids](#)

great garnishes

Janome 2200xt Manual :

papyrus evil mummies v 4 by lucien de gieter alibris - Oct 24 2021

web apr 8 2010 get free shipping on papyrus 4 the evil mummies by de gieter from wordery com theti cheri daughter of the pharaoh and her protector papyrus are on a

papyrus vol 4 the evil mummies by lucien de gieter alibris - Apr 10 2023

web buy papyrus vol 4 the evil mummies by lucien de gieter online at alibris we have new and used copies available in 1 editions starting at 7 59 shop now

pdf papyrus evil mummies v 4 studylib net - Aug 02 2022

web new comics forums gen discussion bug reporting delete combine pages

[papyrus 4 the evil mummies by de gieter paperback - Sep 22 2021](#)

papyrus vol 4 the evil mummies download only - Apr 29 2022

web apr 8 2023 you have remained in right site to begin getting this info acquire the papyrus vol 4 the evil mummies associate that we give here and check out the link you could buy lead papyrus vol 4 the evil mummies or acquire it as soon as feasible

papyrus vol 4 the evil mummies book depository - Jun 12 2023

web aug 16 2010 papyrus vol 4 the evil mummies by lucien de gieter 9781849180276 available at book depository with free

delivery worldwide

papyrus vol 4 the evil mummies copy uniport edu - Jan 27 2022

web sep 11 2017 more undertale as we face off with papyrus lets help spread the word to the entire world share this videocan we get 10 likes leave your comments

papyrus vol 4 the evil mummies by lucien de gieter paperback - Jan 07 2023

web apr 8 2010 get free shipping on papyrus vol 4 the evil mummies by lucien de gieter from wordery com theti cheri daughter of the pharaoh and her protector

papyrus vol 4 the evil mummies 04 amazon com tr - Aug 14 2023

web papyrus vol 4 the evil mummies 04 lucien de gieter amazon com tr kitap Çerez tercihlerinizi seçin Çerez bildirimimizde detaylandırıldığı üzere satın alım yapmanızı

the evil mummies papyrus vol 4 by gieter de lucien 2010 - Nov 24 2021

web buy papyrus evil mummies v 4 by lucien de gieter online at alibris we have new and used copies available in 0 edition starting at shop now

papyrus vol 4 the evil mummies by lucien de gieter - Nov 05 2022

web find many great new used options and get the best deals for papyrus vol 4 the evil mummies by lucien de gieter paperback 2010 at the best online prices at ebay free

4 the evil mummies cinebook - Oct 04 2022

web buy papyrus vol 4 the evil mummies by lucien de gieter 2010 by isbn from amazon s book store everyday low prices and free delivery on eligible orders

papyrus volume 4 by lucien de gieter overdrive - Jul 13 2023

web mar 25 2013 but the mummies lie in the desert domain of the god seth and the malevolent deity will use the dead themselves in his attempts to destroy the intruders

papyrus vol 4 the evil mummies 04 paperback amazon co uk - Mar 09 2023

web apr 8 2010 select the department you want to search in

papyrus 4 the evil mummies issue comic vine - Jul 01 2022

web unbeatable papyrus v 4 evil mummies deal shop online or locate your nearest makro store reliable delivery easy returns many ways to pay true b2c m27

papyrus vol 4 the evil mummies copy blog theupside - Feb 25 2022

web papyrus vol 4 the evil mummies 1 6 downloaded from uniport edu ng on may 29 2023 by guest papyrus vol 4 the evil mummies getting the books papyrus vol 4 the evil

papyrus volume 4 the evil mummies apple books - May 11 2023

web mar 25 2013 theti cheri daughter of pharaoh and her friend and protector papyrus are on a mission to bring back to thebes the mummies of 10 archers long dead warriors of

the evil mummies papyrus vol 4 by de lucien gieter 2010 08 - Dec 06 2022

web buy the evil mummies papyrus vol 4 by de lucien gieter 2010 08 16 by isbn from amazon s book store everyday low prices and free delivery on eligible orders

the evil mummies papyrus amazon com - Feb 08 2023

web aug 16 2010 theti cheri daughter of pharaoh and her friend and protector papyrus are on a mission to bring back to thebes the mummies of 10 archers long dead warriors of

papyrus is evil undertale part 4 youtube - Dec 26 2021

web buy the evil mummies papyrus vol 4 by gieter de lucien 2010 paperback by isbn from amazon s book store everyday low prices and free delivery on eligible orders

papyrus v 4 evil mummies makro - May 31 2022

web merely said the papyrus vol 4 the evil mummies is universally compatible with any devices to read the international year book frank moore colby 1901 tutankhamun

papyrus vol 4 the evil mummies by lucien de gieter 2010 - Sep 03 2022

web free essays homework help flashcards research papers book reports term papers history science politics

papyrus vol 4 the evil mummies pdf uniport edu - Mar 29 2022

web beware the evil eye 4 volume set daemons and spirits in ancient egypt ancient egyptian god horus notebook the iliad a commentary volume 4 books 13 16 critica et

international business law 6th edition vitalsource - Jul 03 2023

web sep 28 2012 booktopia has international business law text cases and readings international edition 6ed by ray august buy a discounted paperback of

biblio international business law 6th edition by august ray - Mar 19 2022

international business law 6th edition vitalsource - Nov 14 2021

international business law international edition - Jan 29 2023

web 53 ratings by goodreads hardcover isbn 10 0132718979 isbn 13 9780132718974 publisher pearson 2012 view all copies of this isbn edition synopsis about this

international business law text cases and readings google - May 21 2022

web over 5 billion international business law 6th edition is written by ray a august don mayer michael bixby and published by pearson the digital and etextbook isbn for

international business law 6th edition pearson - Mar 31 2023

web apr 11 2013 international business law ray a august don mayer michael bixby pearson education apr 11 2013 business economics 736 pages august

international business law ray a august don mayer michael - Sep 24 2022

web find the best prices on international business law 6th edition by august ray a mayer don bixby michael at biblio hardcover 2012 prentice hall 6th edition

international business law ray a august 9780273768616 - Sep 05 2023

web international business law international edition 6th edition is written by don mayer ray a august michael bixby and published by pearson intl the digital and

international business law 6th edition amazon com - Oct 06 2023

web nov 6 2013 home business economics business law international business law international edition i m a student i m an educator international business law

international business law international edition 6th edition - Jun 02 2023

web 8 rows nov 6 2013 international business law international edition authors ray a august don mayer

download international business law by august ray a bixby - Jan 17 2022

international business law august ray mayer don - Dec 28 2022

web by ray august cover type hardback edition 6th 13 copyright 2013 publisher prentice hall inc published 2013 international no summary author bio table of contents

international business law text cases and readings 6th ed - Feb 15 2022

international business law text cases and readings 6th edition - Jun 21 2022

web for upper level undergraduate and mba students enrolled in an international business law course august emphasises the diversity and similarity of how firms are currently

international business law international edition ray a august - Nov 26 2022

web international business law text cases and readings ray august prentice hall 2000 commercial law 781 pages for senior undergraduate business and law school

[international business law text cases and readings ray](#) - Aug 24 2022

web buy international business law text cases and readings 6th ed by ray august et al isbn 9780273768616 published by pearson education ltd from wildy com the

international business law august ray mayer don bixby - Jul 23 2022

web international business law author august ray a bixby michael mayern language english isbn 9780273775584 0273775588 year 2013 file size 23 1 mb total

international business law 6th edition 6th sixth edition by - Oct 26 2022

web international business law 6th edition 6th sixth edition by august ray a mayer don bixby michael 2012 books amazon ca [international business law pearson](#) - Aug 04 2023

web nov 6 2013 don mayer international business law international edition 6th edition kindle edition by ray a august author don mayer author 1 more format kindle

international business law text cases and readings booktopia - Feb 27 2023

web ray august prentice hall 2004 business economics 806 pages for senior undergraduate business and law school courses in international business law

international business law 6th edition ray august - Dec 16 2021

[international business law international edition 6th](#) - May 01 2023

web international business law 6th edition 6th sixth edition by august ray a mayer don bixby michael 2012 on amazon com free shipping on qualifying offers

international business law 6th edition 6th sixth edition by - Apr 19 2022

[black white board book hoban tana 9780061172113](#) - Mar 30 2022

web from the eminent photographer and acclaimed book creator tana hoban this bestselling accordion style foldout book is sturdy enough to stand by itself and features fourteen bold black and white high contrast images to engage babies and very young children

amazon com black and white board books for babies - Jun 01 2022

web 1 48 of 126 results for black and white board books for babies results black white board book a high contrast book for newborns by tana hoban 10 834 board book 799 free delivery wed sep 13 on 25 of items shipped by amazon more buying choices 1 15 72 used new offers ages baby and up other format hardcover amazon s choice

black white board book amazon ca - Jun 13 2023

web black white board book board book illustrated jan 2 2007 by tana hoban author illustrator 4 7 4 7 out of 5 stars 10 477 ratings

[black white board book a high contrast book for newborns](#) - Aug 15 2023

web jan 2 2007 perfect for tummy time from the eminent photographer and acclaimed book creator tana hoban this bestselling accordion style foldout book is sturdy enough to stand by itself and features fourteen bold black and white high contrast images to engage babies and very young children

black white board book january 2007 amazon com tr - Aug 03 2022

web black white board book january 2007 hoban tana hoban tana amazon com tr kitap

[black white board book board book university press books](#) - Nov 06 2022

web from the eminent photographer and acclaimed book creator tana hoban this bestselling accordion style foldout book is sturdy enough to stand by itself and features fourteen bold black and white high contrast images to engage babies and very young children

amazon com black and white board book - Feb 09 2023

web jan 2 2007 black white board book by tana hoban jan 2 2007 10 745 board book 459 7 99 free delivery tue feb 7 on 25 of items shipped by amazon or fastest delivery mon feb 6 more buying choices 1 15 78 used new offers hardcover 999 free delivery tue feb 7 on 25 of items shipped by amazon or fastest delivery mon

black white board book amazon de - May 12 2023

web experiencing bold black and white contrast helps stimulate development in the retina and the optic nerve this sturdy accordion style foldout book features high contrast art from two bestselling tana hoban board books black on white and white on black

[black on white board book hoban amazon com au books](#) - Oct 05 2022

web from the eminent photographer and acclaimed book creator tana hoban this bestselling large format board book features bold black and white high contrast images to engage babies and very young children

black white board book harpercollins - Sep 04 2022

web jan 2 2007 experiencing bold black and white contrast helps stimulate development in the retina and the optic nerve this sturdy accordion style foldout book features high contrast art from two bestselling tana hoban board books black on white and white on black these classic and popular books have sold more than one million copies

black and white board books set of 6 kaplan early learning company - Dec 27 2021

web description ratings reviews birth up start developing literacy and shape recognition skills early with this set of black and white board books these sturdy board books are full of high contrast black and white pictures and objects with a

[black and white board books an essential for a newborn s library](#) - Jul 02 2022

web feb 8 2018 there s one type of book that she can stare at for well several intense minutes which in baby time is a long long time those books are black and white board books research shows that newborns prefer black and white they re still developing their eye sight and the high contrast between black and white captivates their attention

black white board book a high contrast book for newborns - Dec 07 2022

web jan 2 2007 experiencing bold black and white contrast helps stimulate development in the retina and the optic nerve this sturdy accordion style foldout book features high contrast art from two bestselling tana hoban board books black on white and white on black these classic and popular books have sold more than one million copies

black white board book sandman books - Feb 26 2022

web from the eminent photographer and acclaimed book creator tana hoban this bestselling large format board book features thirty four bold black and white high contrast images to engage babies and very young children tana hoban s board books have sold more than a million copies and are beloved by teachers librarians parents and readers

amazon com black and white books - Apr 11 2023

web 3 decorative books for home decor with blank pages coffee table books black and white decor fake books designer books set for living room bedroom and office faux books for decoration by kmili

[black white board book hoban tana hoban tana amazon de books](#) - Jul 14 2023

web jan 2 2007 from the eminent photographer and acclaimed book creator tana hoban this bestselling accordion style foldout book is sturdy enough to stand by itself and features fourteen bold black and white high contrast images to

black white board book board book 2 january 2007 - Jan 08 2023

web buy black white board book book online at low prices in india black white board book reviews ratings amazon in books literature fiction short stories buy new 322 00 m r p 450 00 save 128 00 28 inclusive of all taxes free delivery saturday 12 november on first order details or fastest delivery thursday 10 november

black and white board books 25 books goodreads - Mar 10 2023

web aug 26 2016 black and white board books board books for infants that feature black and white images flag all votes add books to this list 25 books 4 voters list created august 26th 2016 by jennifer votes 4 likes like lists are re scored approximately every 5 minutes people who voted on this list 4 jennifer 2325 books 84 friends

[black white board book pasta de cartón amazon com mx](#) - Jan 28 2022

web experiencing bold black and white contrast helps stimulate development in the retina and the optic nerve this sturdy accordion style foldout book features high contrast art from two bestselling tana hoban board books black on white and white on black these classic and popular books have sold more than one million copies

black white board book board book volumes bookcafe - Apr 30 2022

web this sturdy accordion style foldout book features high contrast art from two bestselling tana hoban board books black on white and white on black these classic and popular books have sold more than one million copies about black on white and white on black publishers weekly said hoban s compositions are so supple and her layouts so